

[54] BACKPACK GROCERY CARRIER

[76] Inventor: Lloyd Mitchell, 211 E. 83rd St., Chicago, Ill. 60619

[\*\*] Term: 14 Years

[21] Appl. No.: 834,052

[22] Filed: Feb. 18, 1986

[52] U.S. Cl. .... D3/32

[58] Field of Search ..... 224/226, 228, 153, 160, 224/188, 209, 260, 266; D3/32

[56] References Cited

U.S. PATENT DOCUMENTS

- D. 260,121 8/1981 Cable et al. .... D3/31
- 3,679,108 7/1972 Ingram ..... 224/209
- 4,018,369 4/1977 Jaeger ..... D3/32 X

FOREIGN PATENT DOCUMENTS

- 378233 8/1921 Fed. Rep. of Germany ..... 224/209
- 588533 2/1932 Fed. Rep. of Germany ..... 224/153
- 0222777 5/1985 Fed. Rep. of Germany ..... 224/153

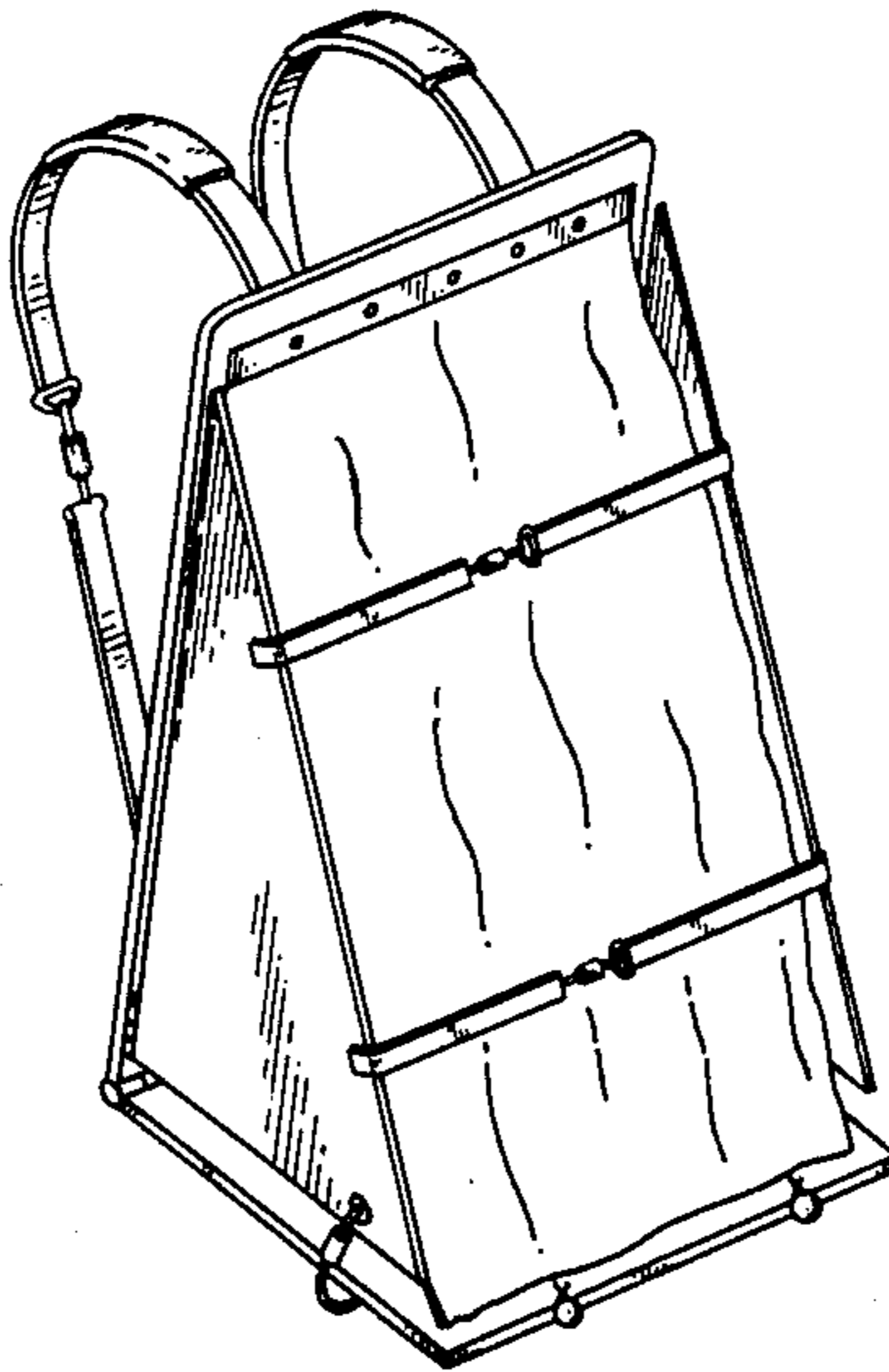
Primary Examiner—Bruce W. Dunkins  
Assistant Examiner—Yvonne Brunot  
Attorney, Agent, or Firm—Terry M. Gernstein

[57] CLAIM

The ornamental design for a backpack grocery carrier, as shown and described.

DESCRIPTION

FIG. 1 is a side elevational view of my backpack grocery carrier showing my new design.  
FIG. 2 is a rear elevation view thereof.  
FIG. 3 is a front elevation view thereof.  
FIG. 4 is a top plan view thereof.  
FIG. 5 is a front perspective view thereof.  
The side of the grocery carrier not shown is a mirror image of the side shown.



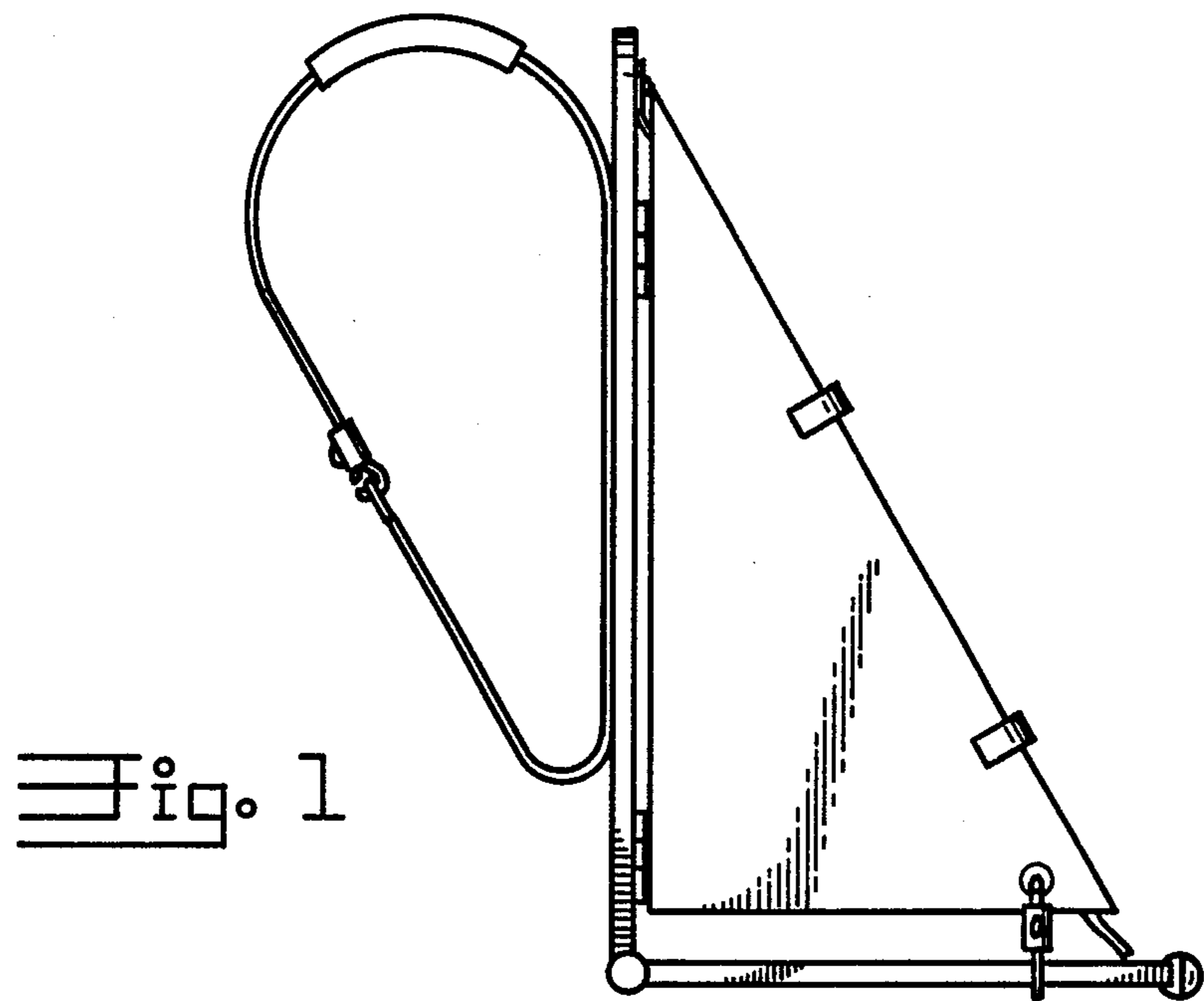


Fig. 1

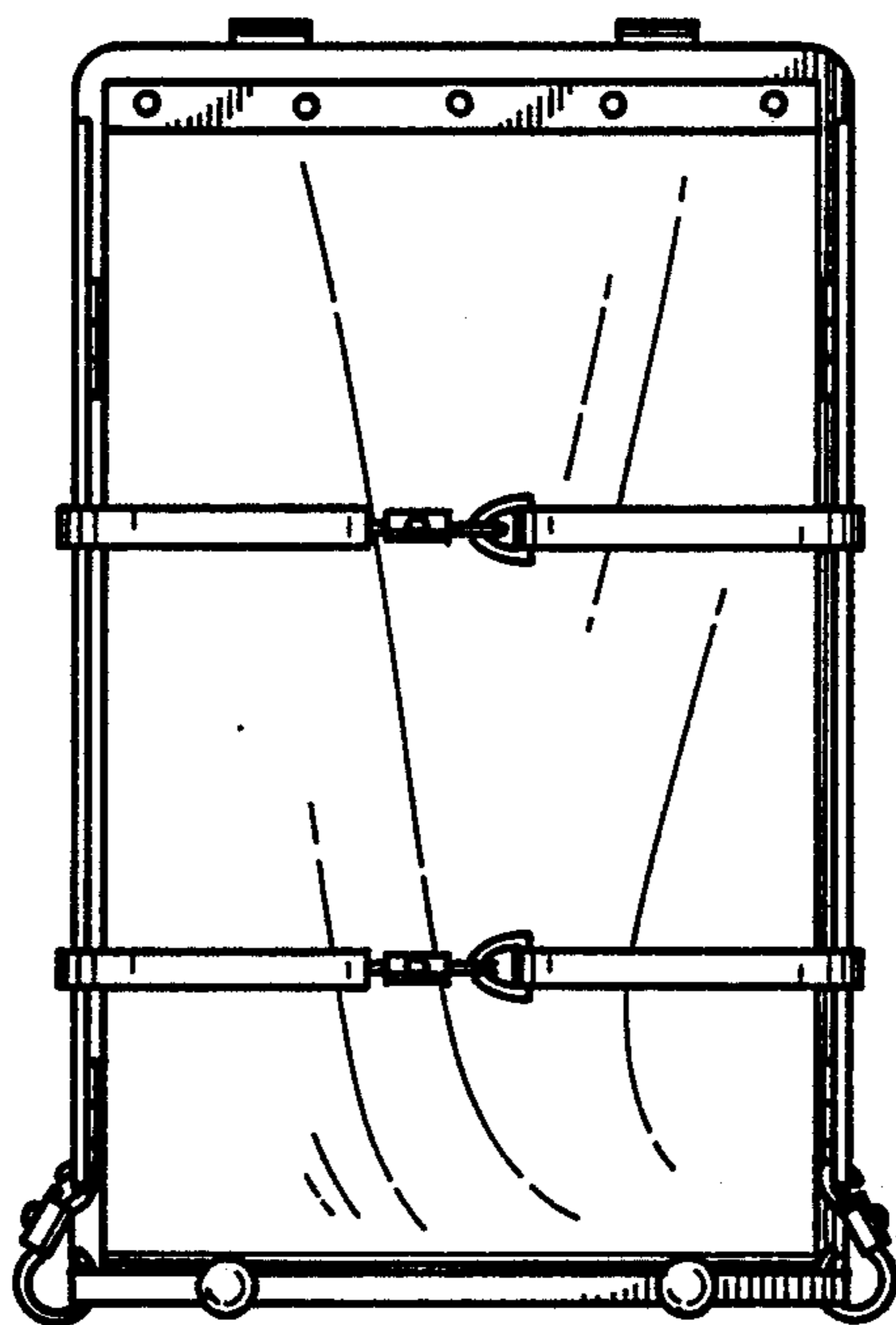


Fig. 2

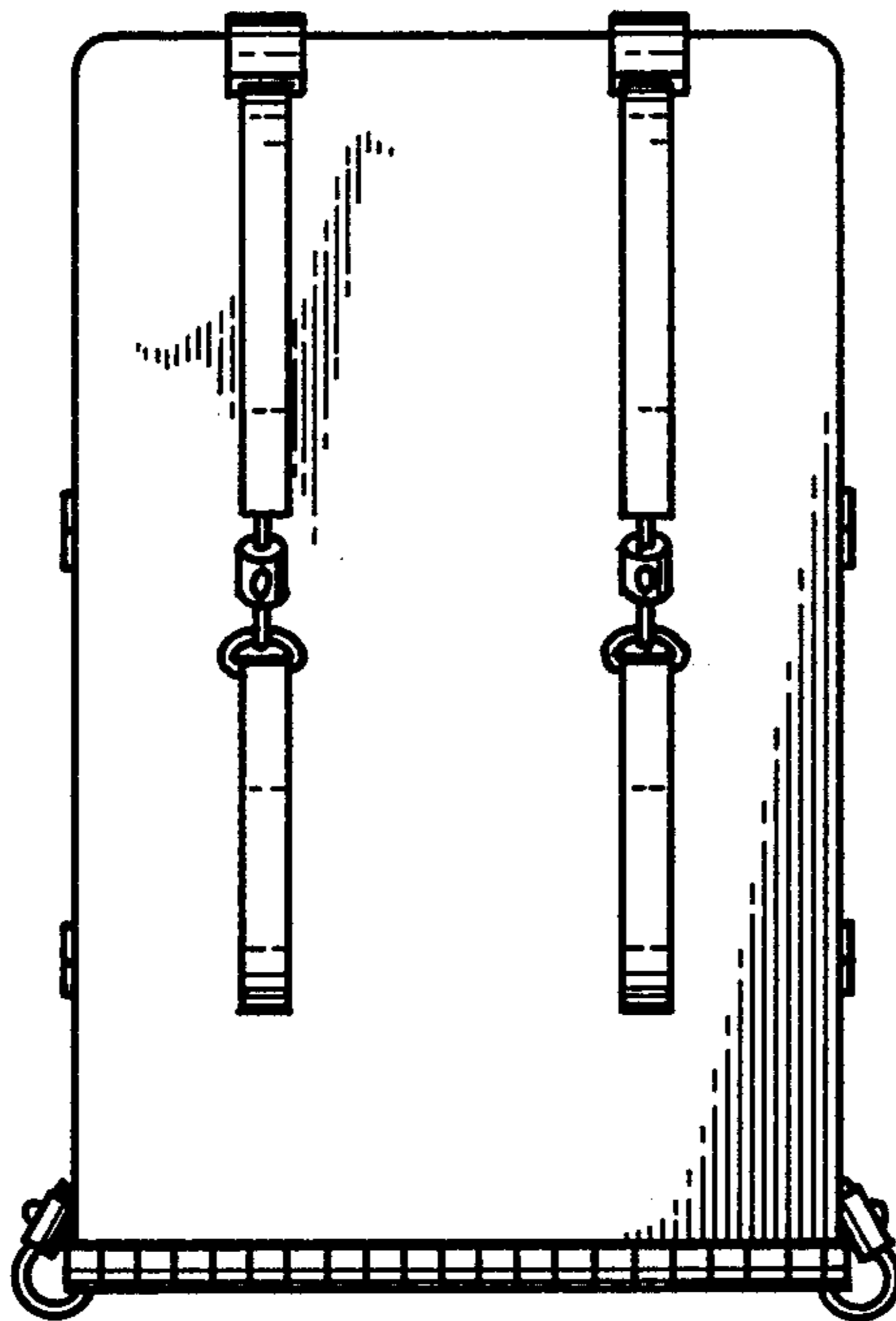


Fig. 3

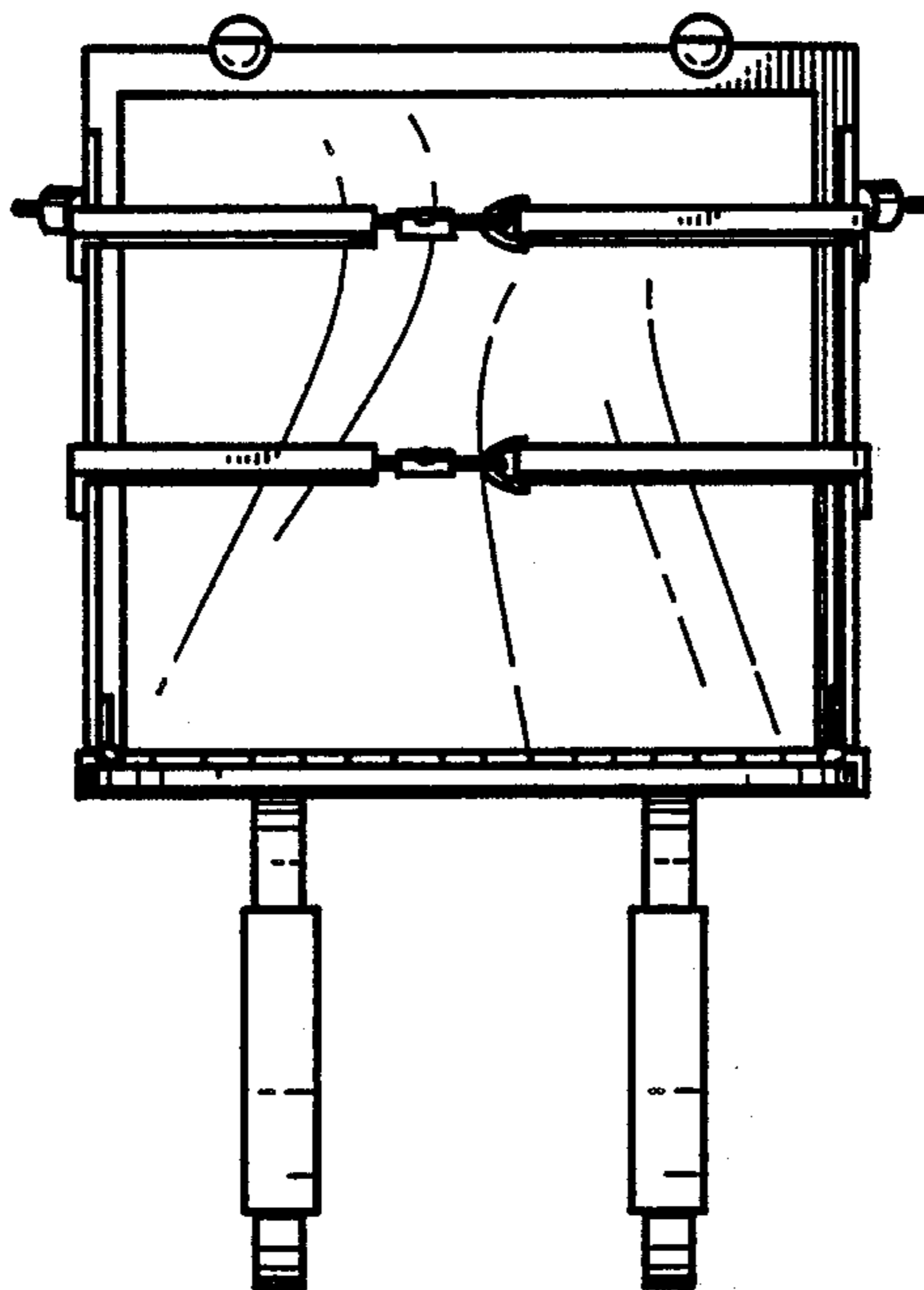


Fig. 4

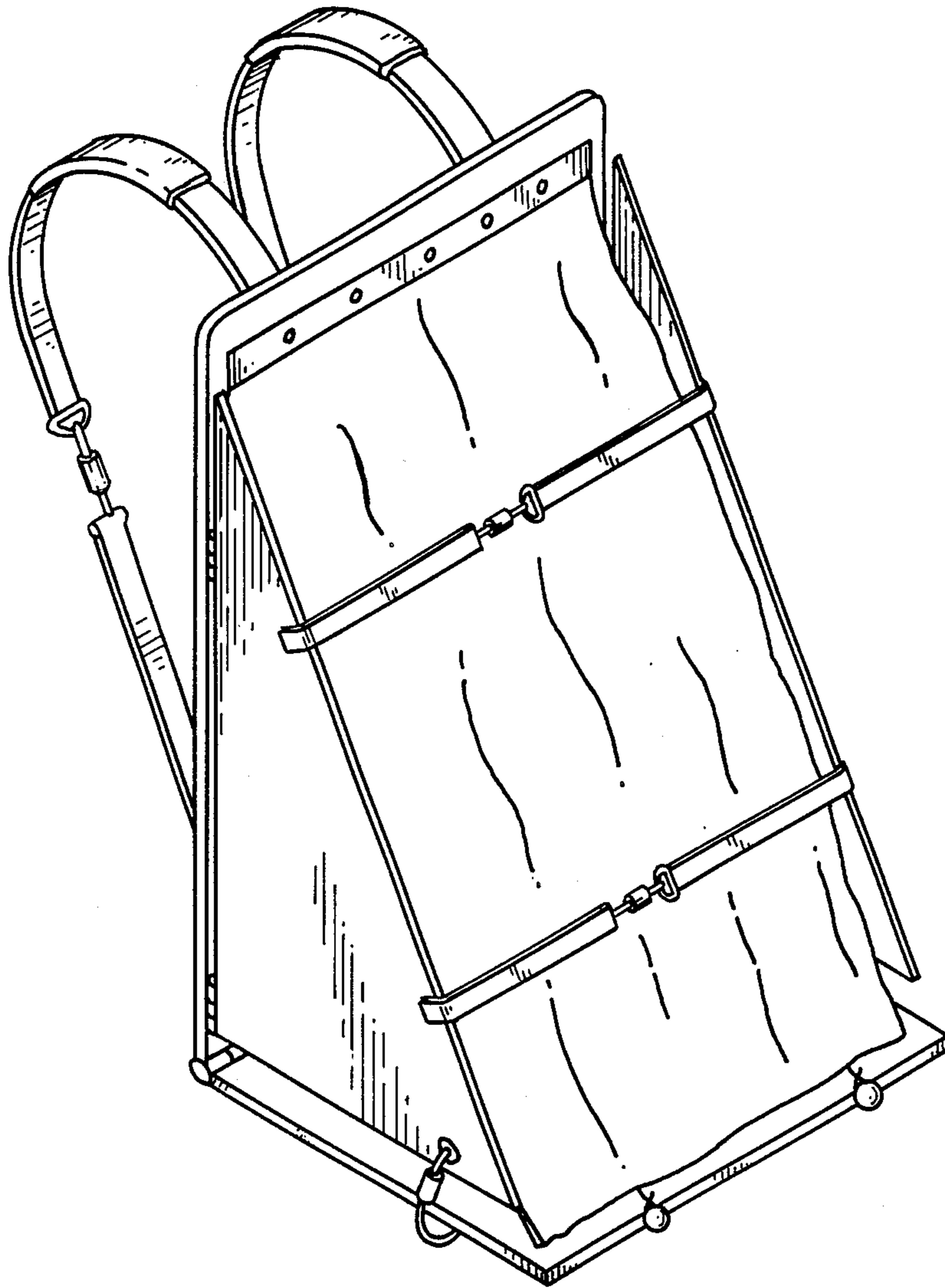


Fig. 5