

[54] RECYCLING CONTAINER

DESCRIPTION

[76] Inventor: Lothar Ruehland, Grasparden 34, 3304 Wendeburg/Bortfeld, Fed. Rep. of Germany

[\*\*] Term: 14 Years

[21] Appl. No.: 122,883

[22] Filed: Nov. 18, 1987

[30] Foreign Application Priority Data

May 18, 1987 [DE] Fed. Rep. of Germany ..... 36 MR 1394

Oct. 6, 1987 [DE] Fed. Rep. of Germany ..... 36 MR 1412

Oct. 6, 1987 [DE] Fed. Rep. of Germany ..... 36 MR 1411

[52] U.S. Cl. .... D34/5; D34/1; D34/46

[58] Field of Search ..... D34/1, 4, 5, 6, 7, 11, D34/46, 40; 220/1 T, 23.4, 23.6, 23.83

[56] References Cited

U.S. PATENT DOCUMENTS

2,217,644	10/1940	Conner	.....	220/23.4
2,599,853	6/1952	McClain et al.	.....	220/23.4
2,874,835	2/1959	Poupitch	.....	220/23.4
3,420,367	1/1969	Carmichael	.....	220/23.4
3,759,373	9/1973	Werth et al.	.....	220/23.4

Primary Examiner—Wallace R. Burke

Assistant Examiner—Kay H. Chin

Attorney, Agent, or Firm—Foley & Lardner, Schwartz, Jeffery, Schwaab, Mack, Blumenthal & Evans

[57] CLAIM

The ornamental design for a recycling container, as shown and described.

FIG. 1 is a front elevational view of a recycling container showing my new design;

FIG. 2 is a front perspective view thereof;

FIG. 3 is a side elevational view thereof, the opposite side elevational view being a mirror image of that shown;

FIG. 4 is a top plan view thereof;

FIG. 5 is a front elevational view of a second embodiment of the recycling container;

FIG. 6 is a front perspective view of FIG. 5;

FIG. 7 is a side elevational view of FIG. 5, the opposite side elevational view being a mirror image of that shown;

FIG. 8 is a top plan view of FIG. 5;

FIG. 9 is a front elevational view of a third embodiment of the recycling container;

FIG. 10 is a front perspective view of FIG. 9;

FIG. 11 is a side elevational view of FIG. 9, the opposite side elevational view being a mirror image of that shown;

FIG. 12 is a top plan view of FIG. 9;

FIG. 13 is a front elevational view of a fourth embodiment of the recycling container;

FIG. 14 is a front perspective view of FIG. 13;

FIG. 15 is a side elevational view of FIG. 13, the opposite side elevational view being a mirror image of that shown;

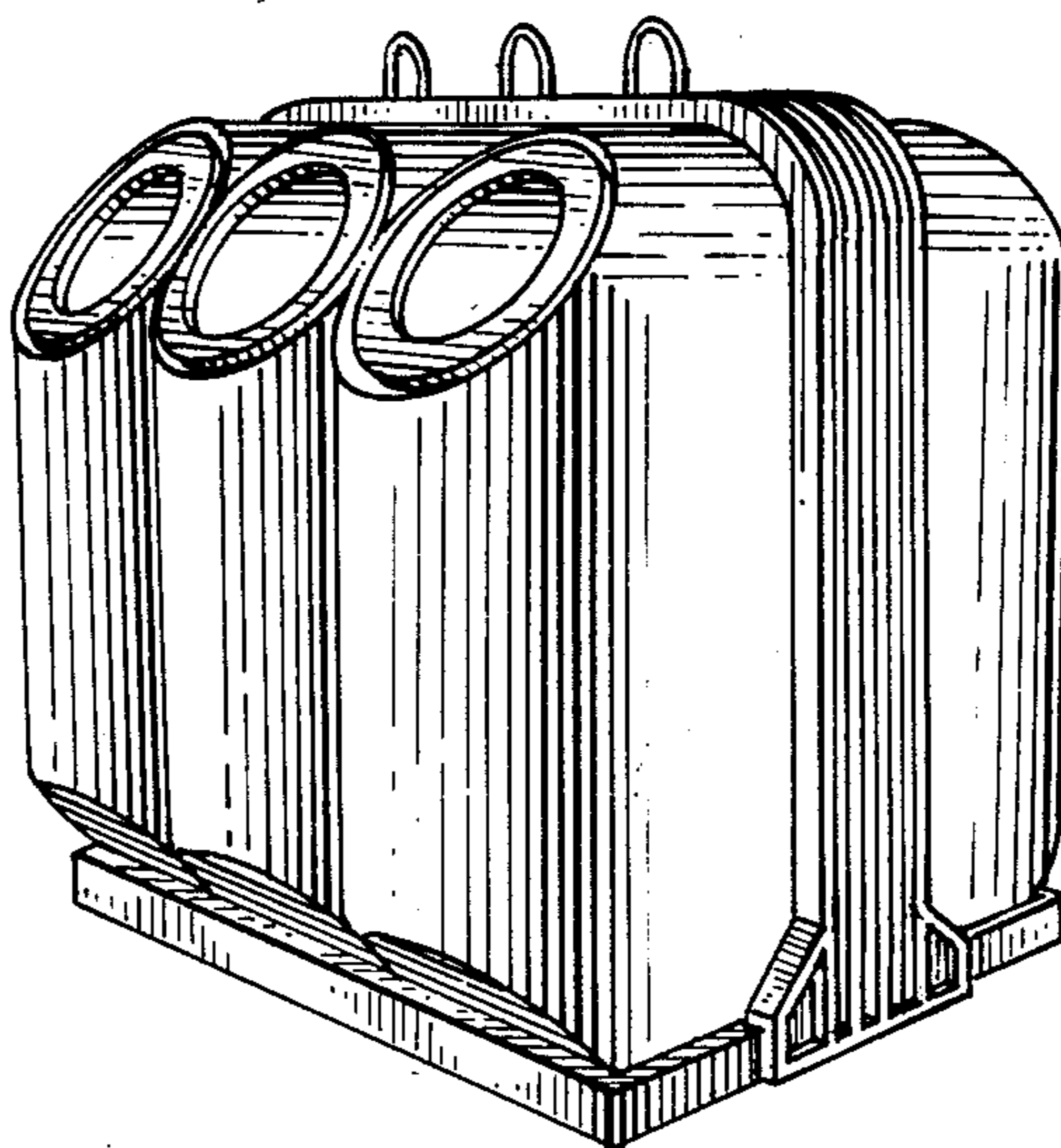
FIG. 16 is a top plan view of FIG. 13;

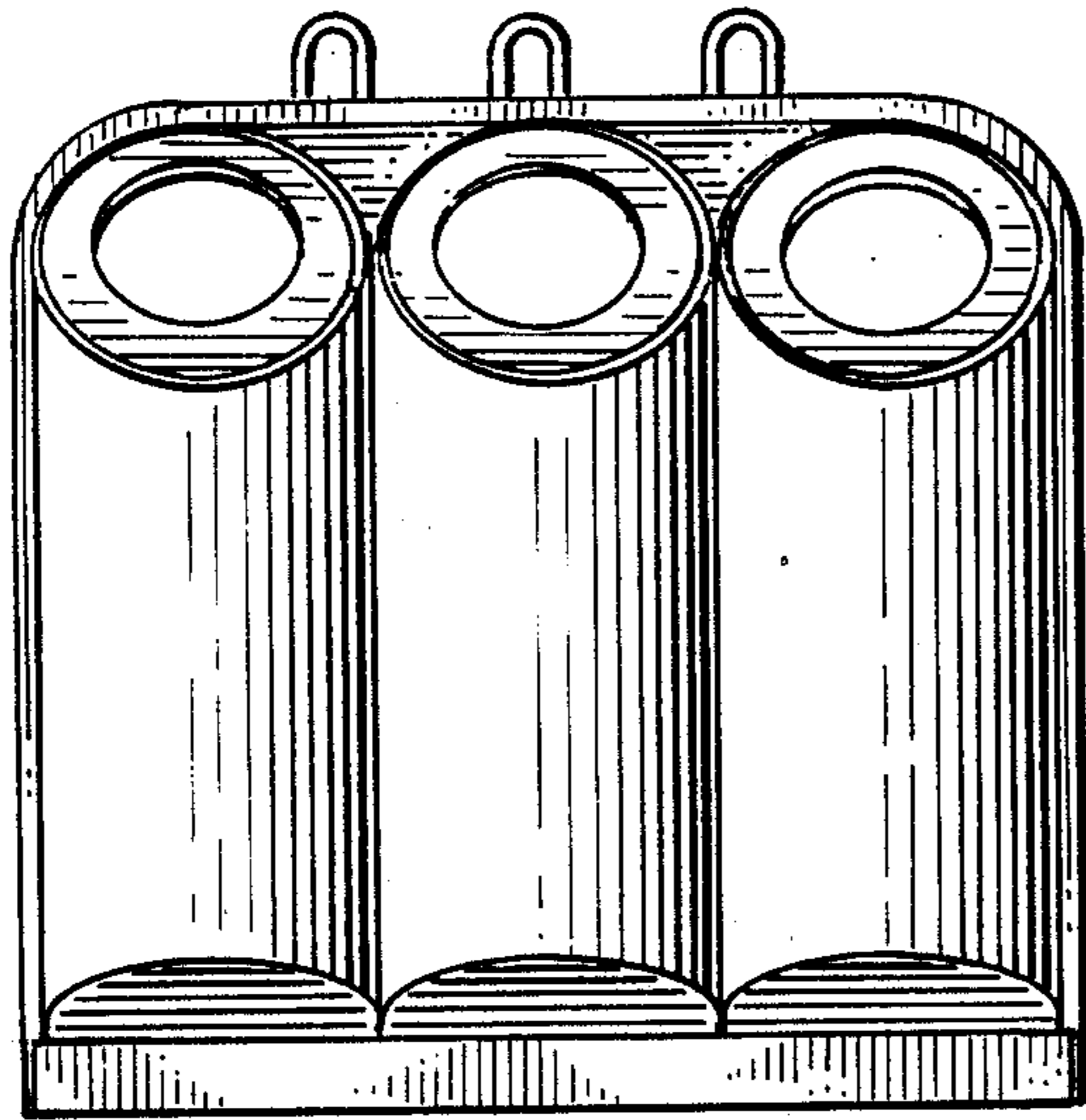
FIG. 17 is a front elevational view of a fifth embodiment of the recycling container;

FIG. 18 is a side elevational view of FIG. 17, the opposite side elevational view being a mirror image of that shown;

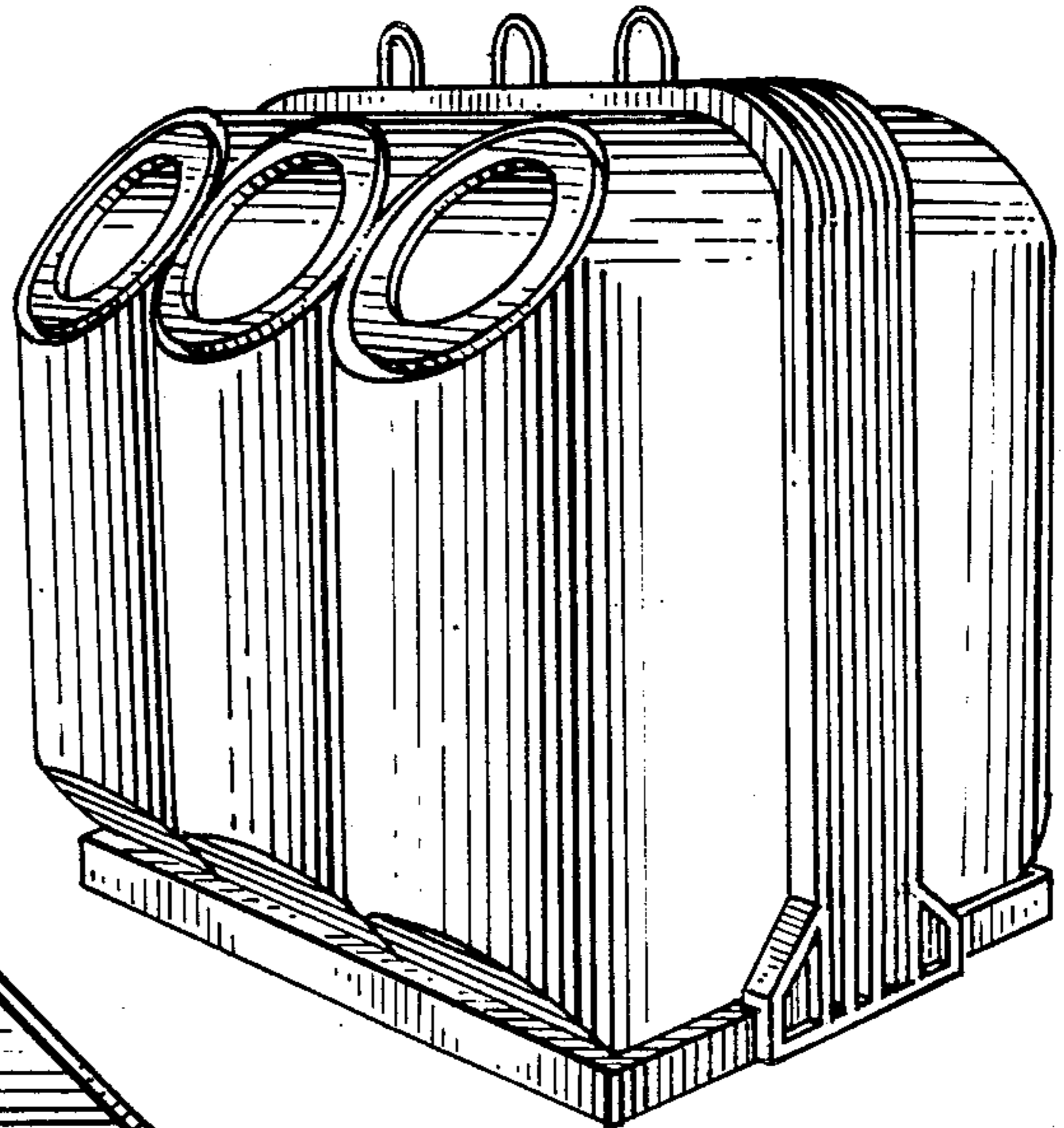
FIG. 19 is a top plan view of FIG. 17; and

FIG. 20 is a front perspective view of FIG. 17.



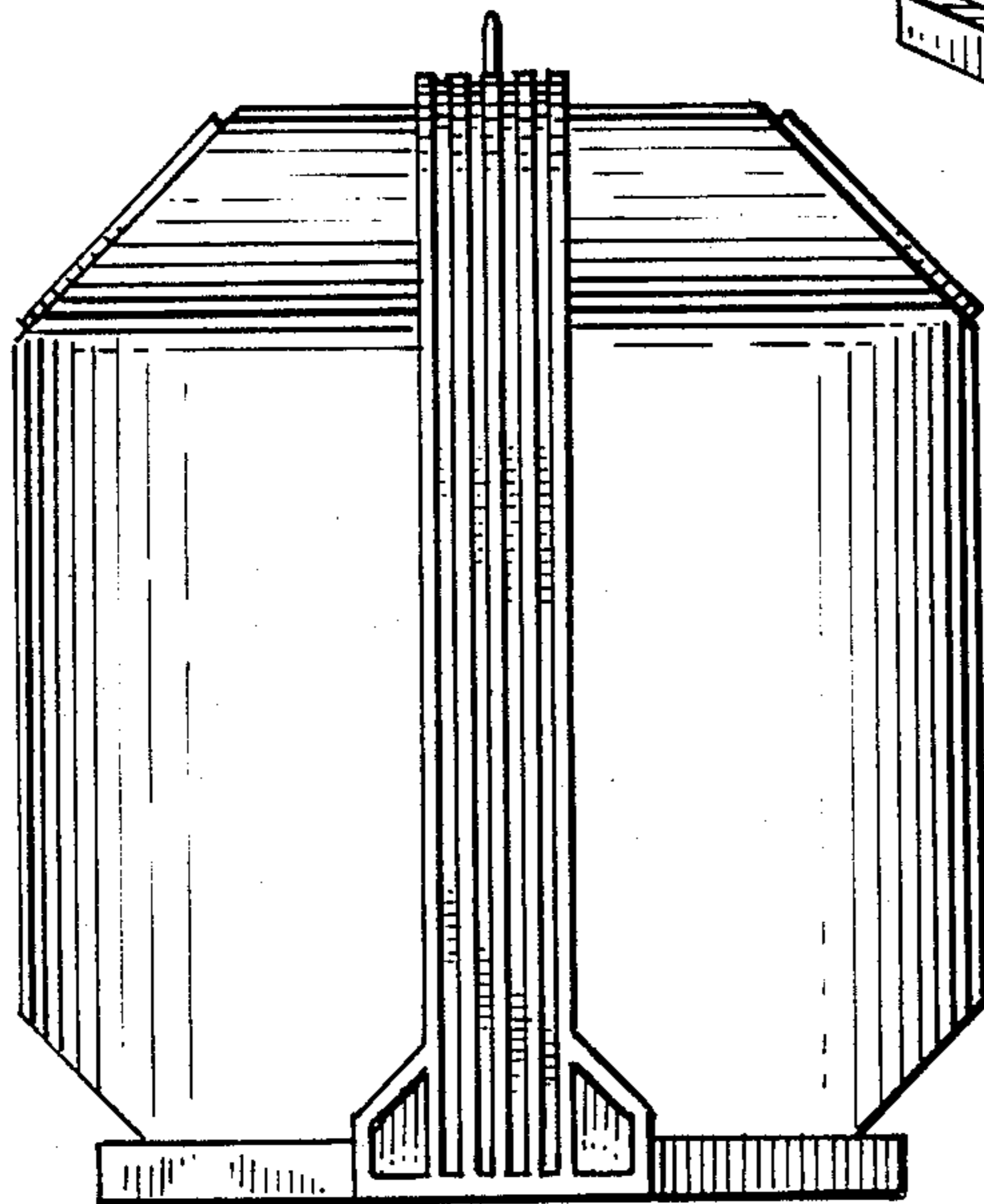


*FIG. 1.*

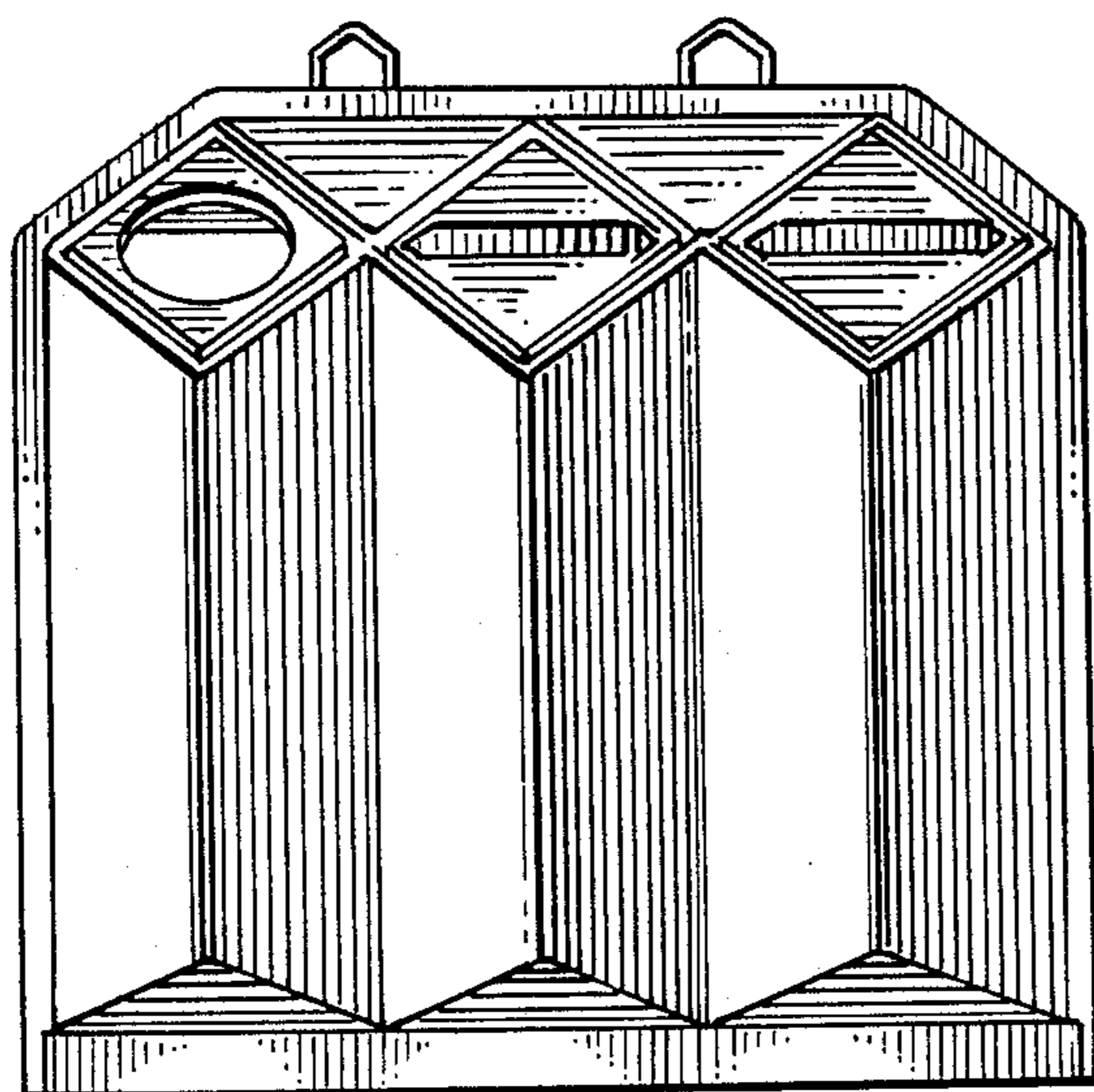
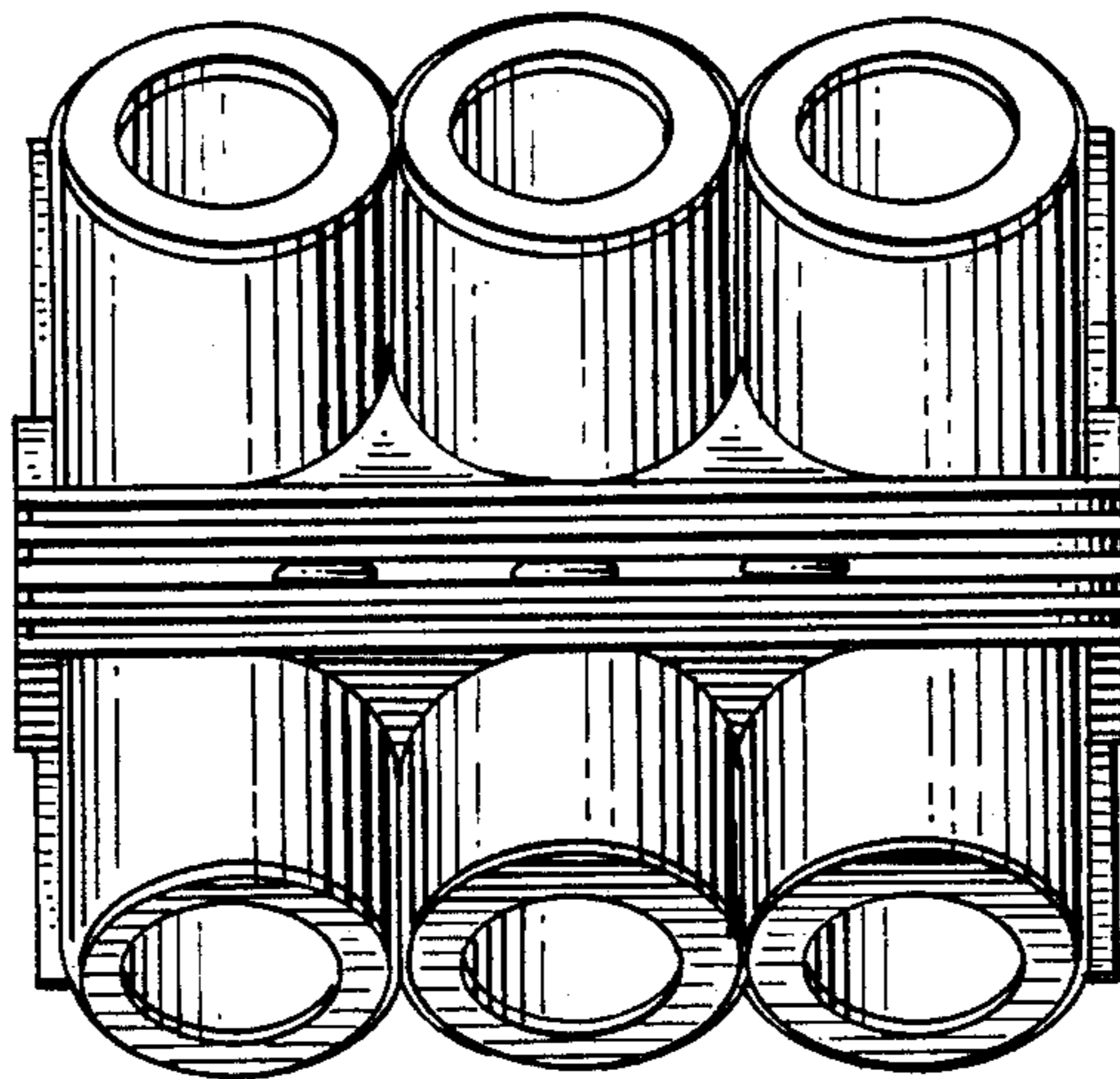


*FIG. 2.*

*FIG. 3.*

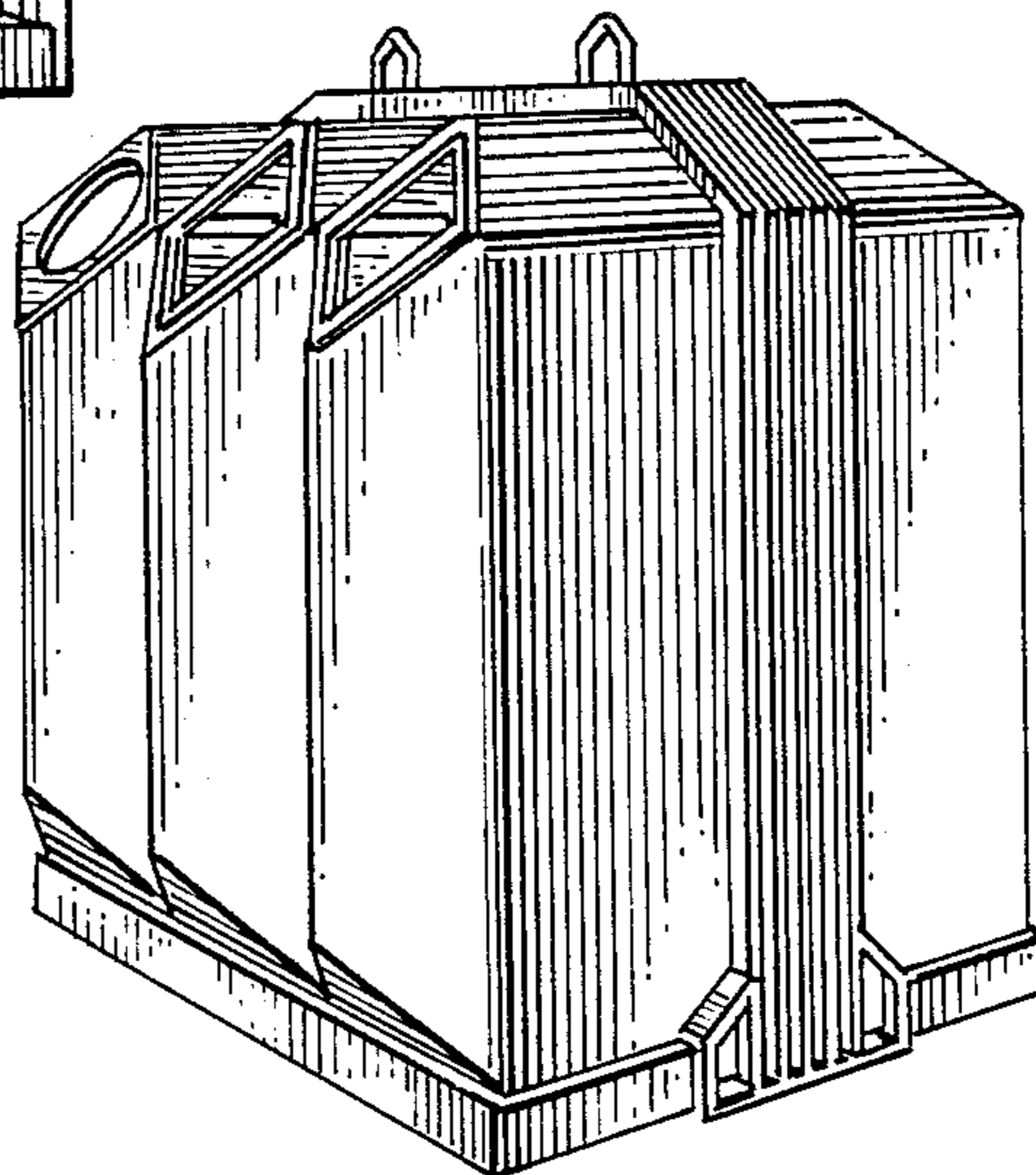


**FIG. 4.**



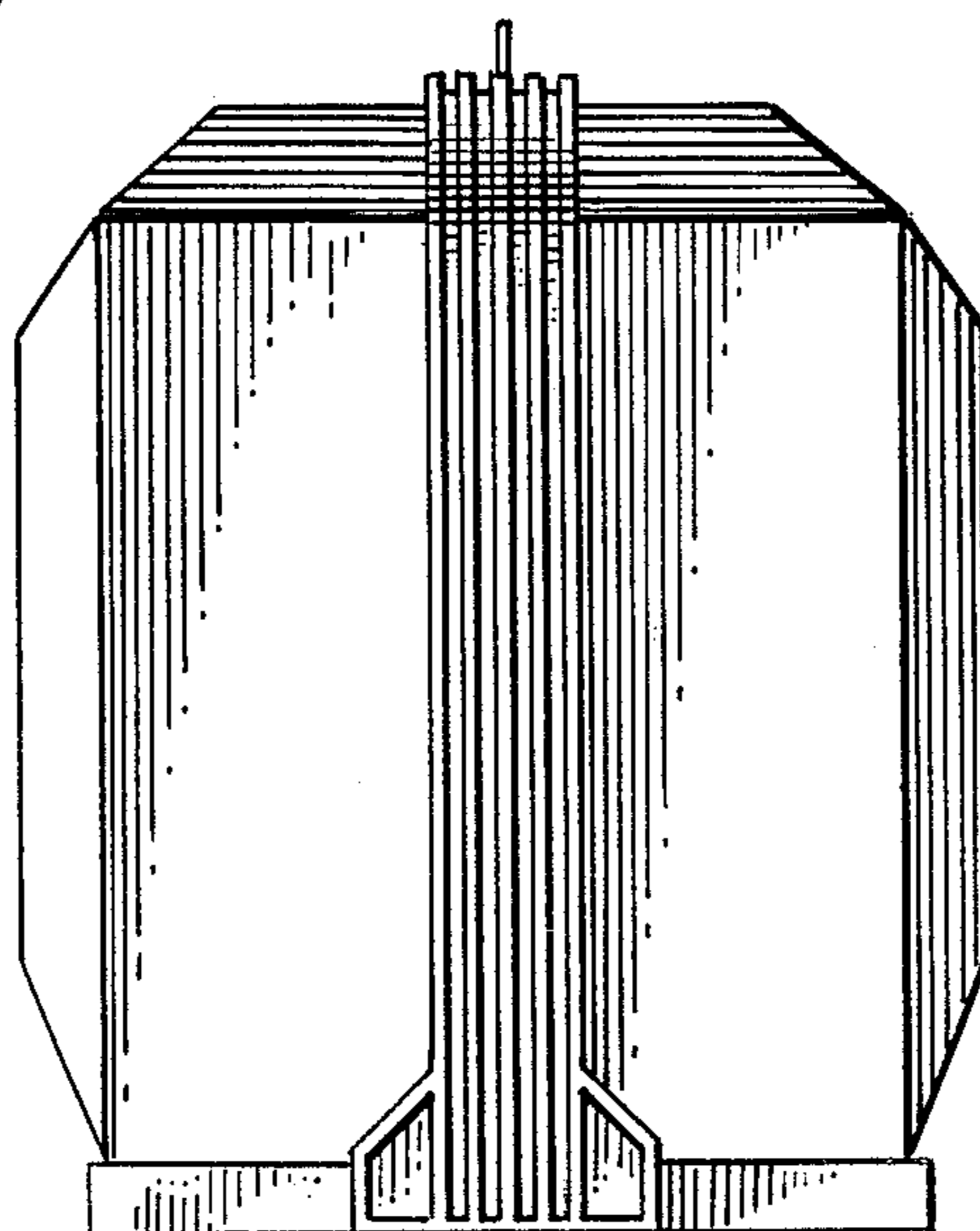
**FIG. 5.**

**FIG. 6.**

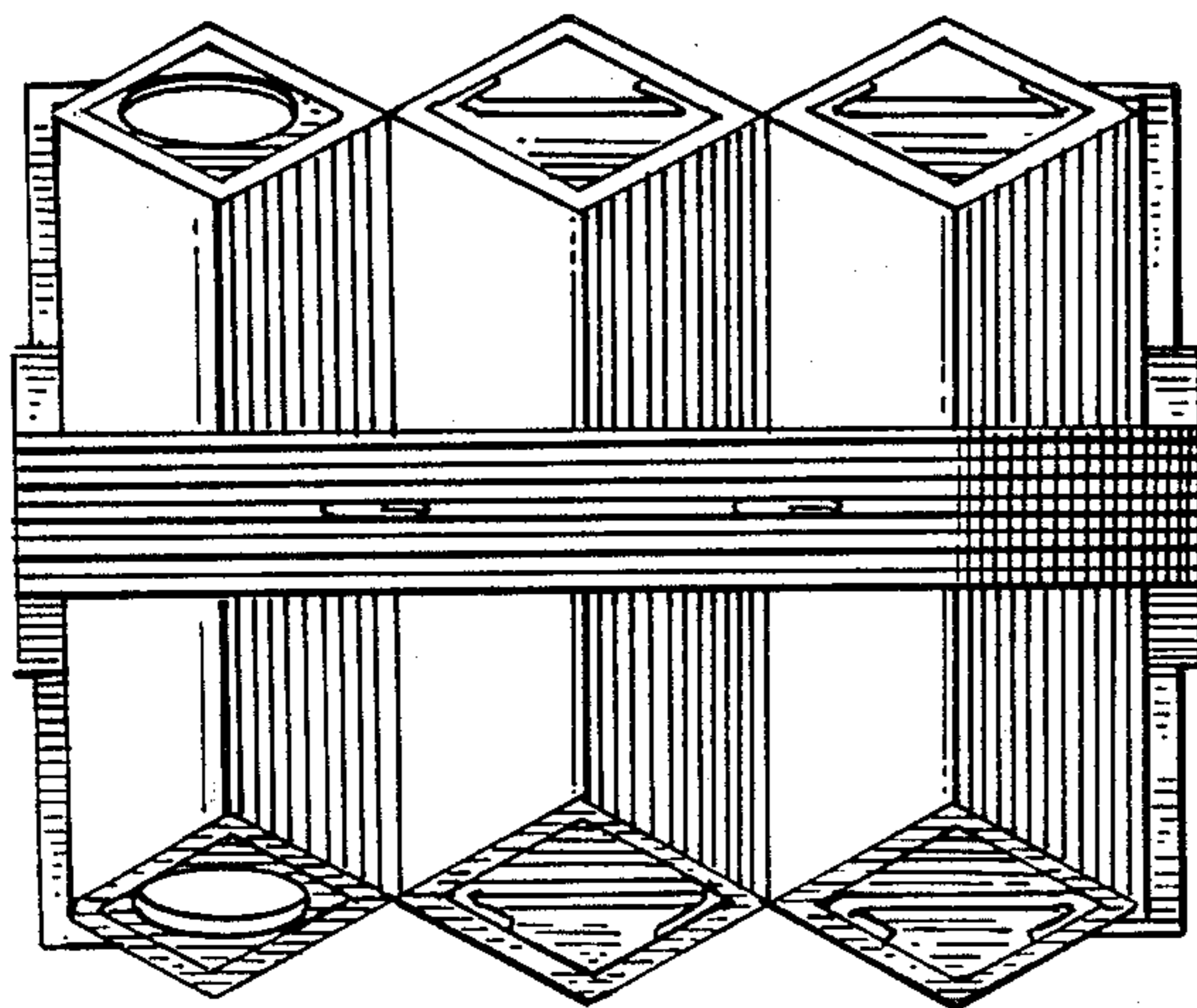




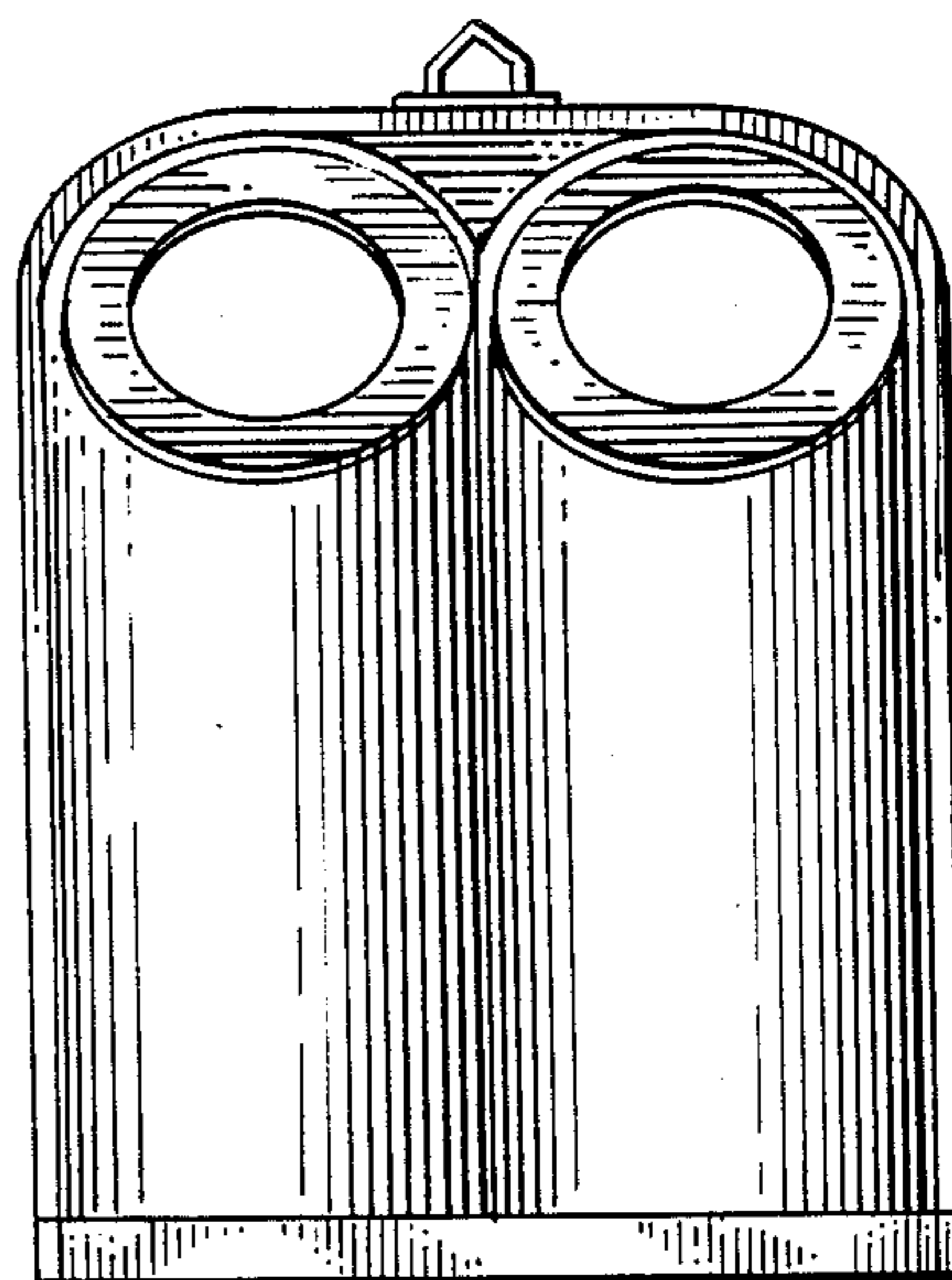
**FIG. 7.**



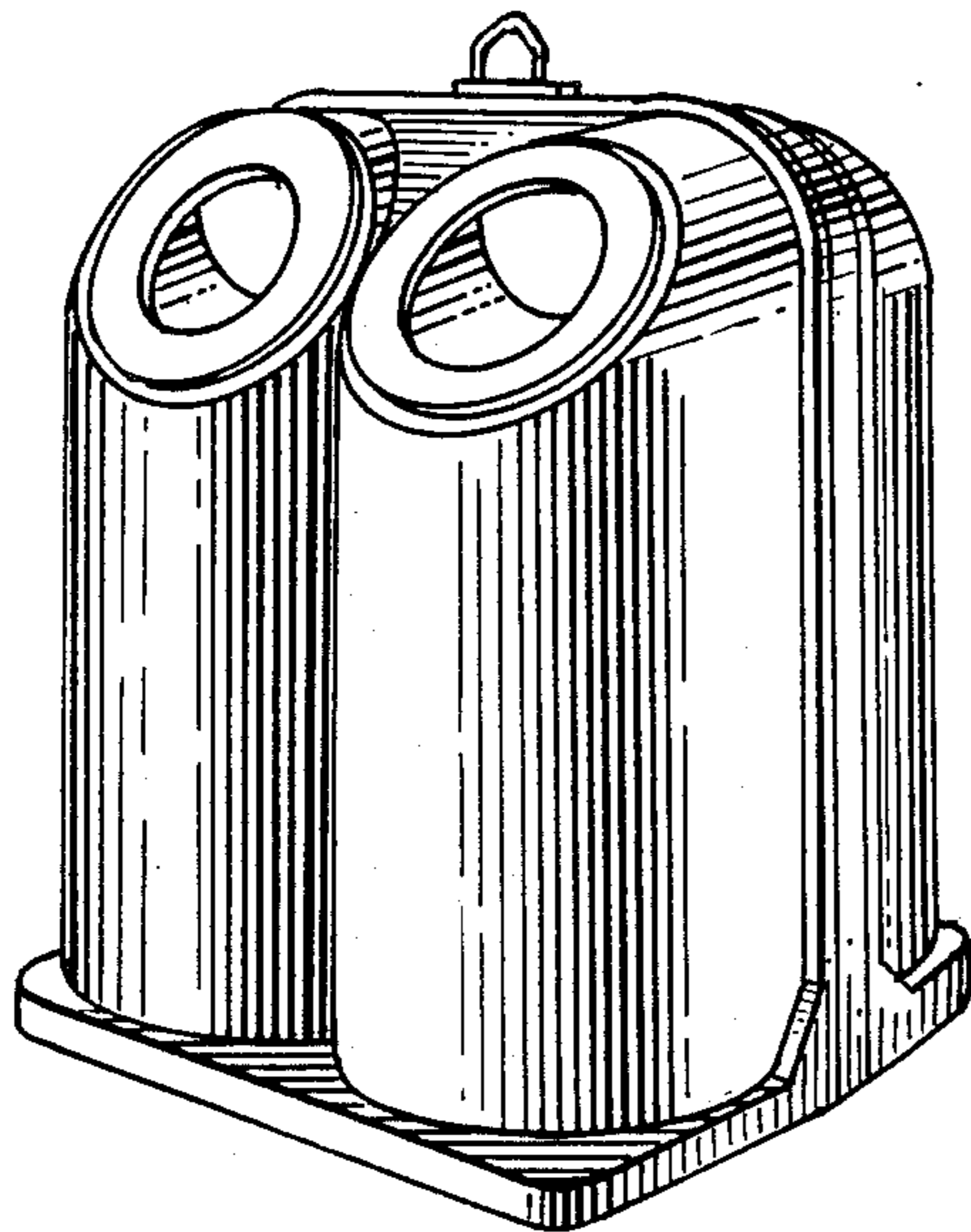
**FIG. 8.**



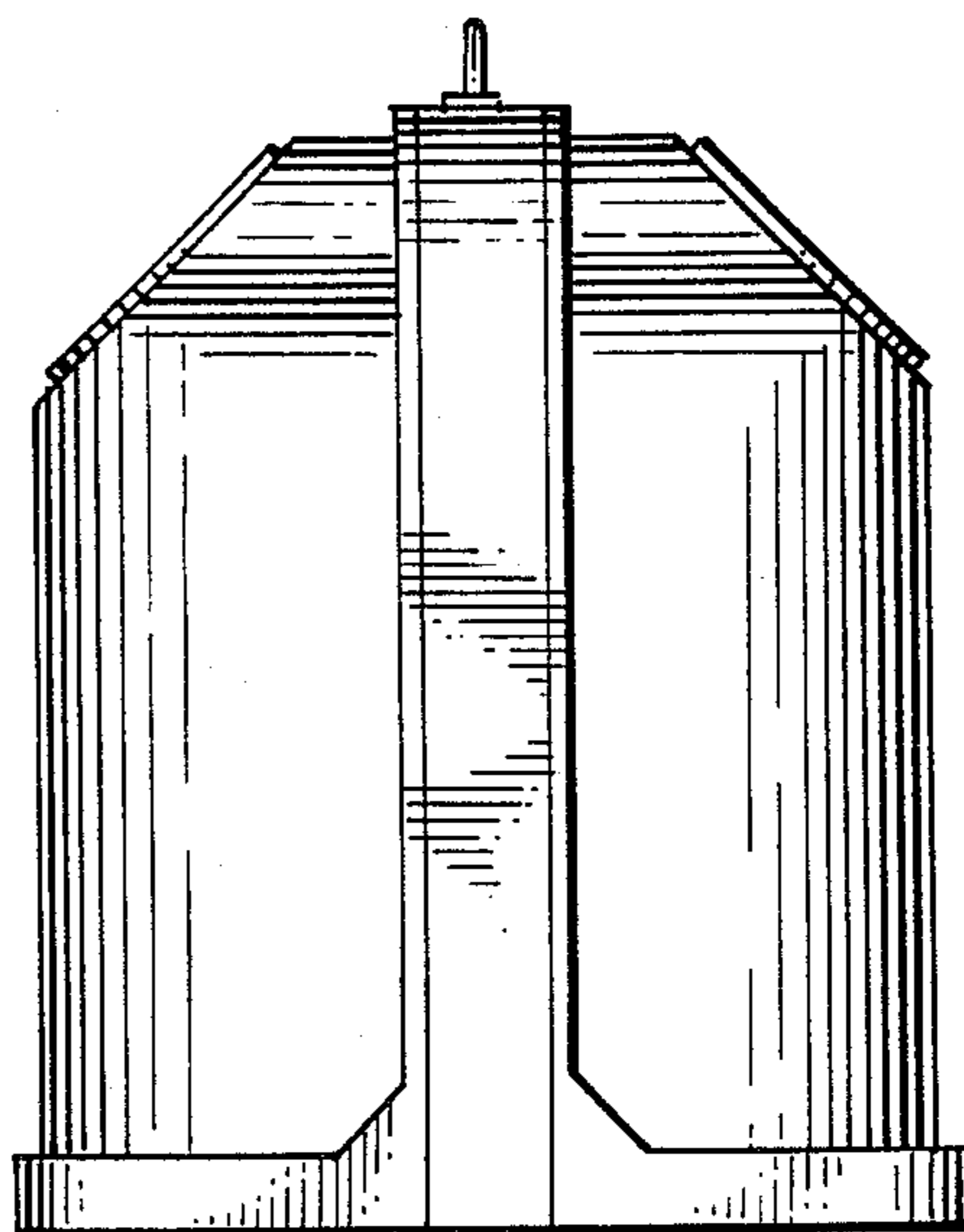
**FIG. 9.**



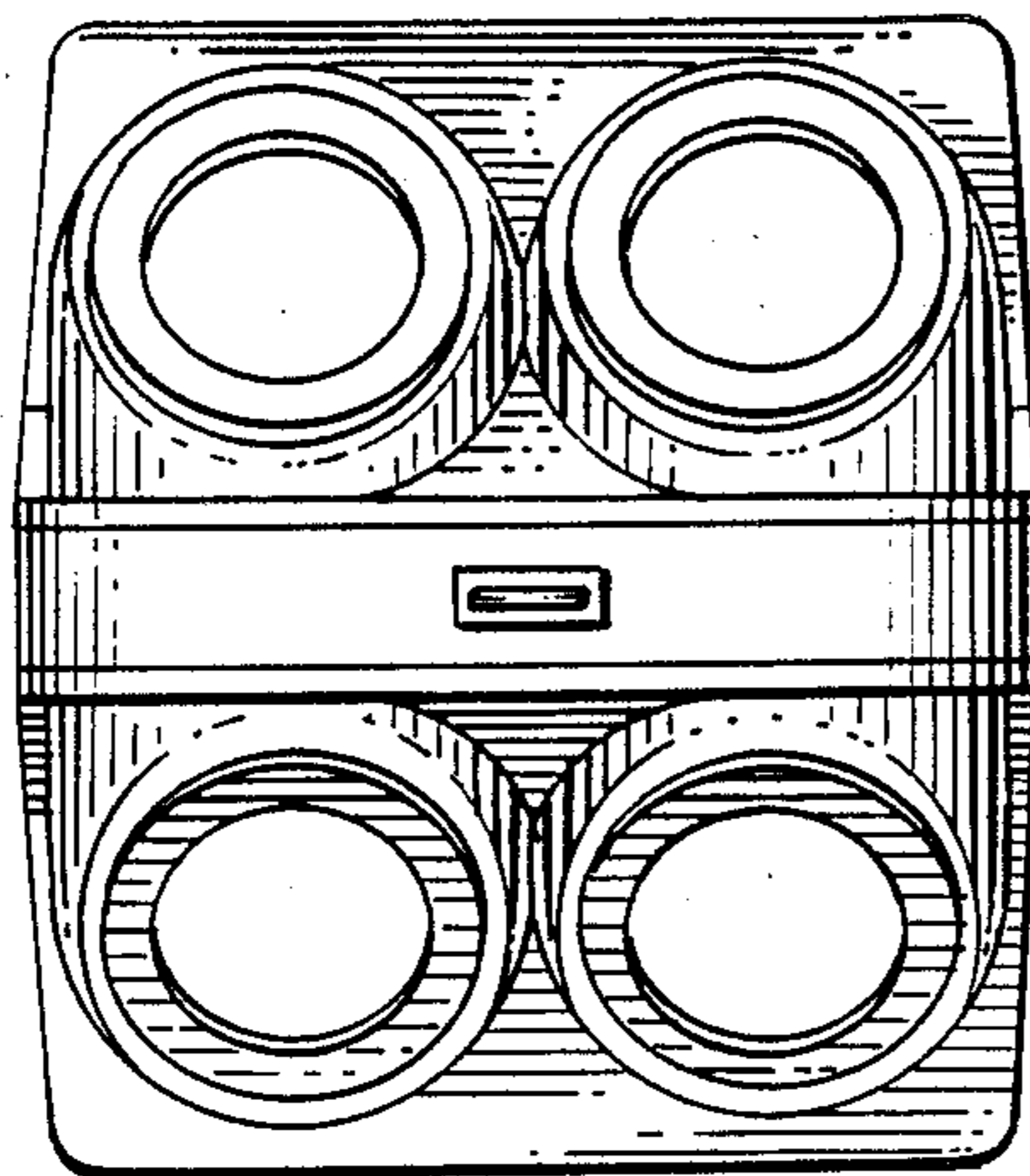
**FIG. 10.**



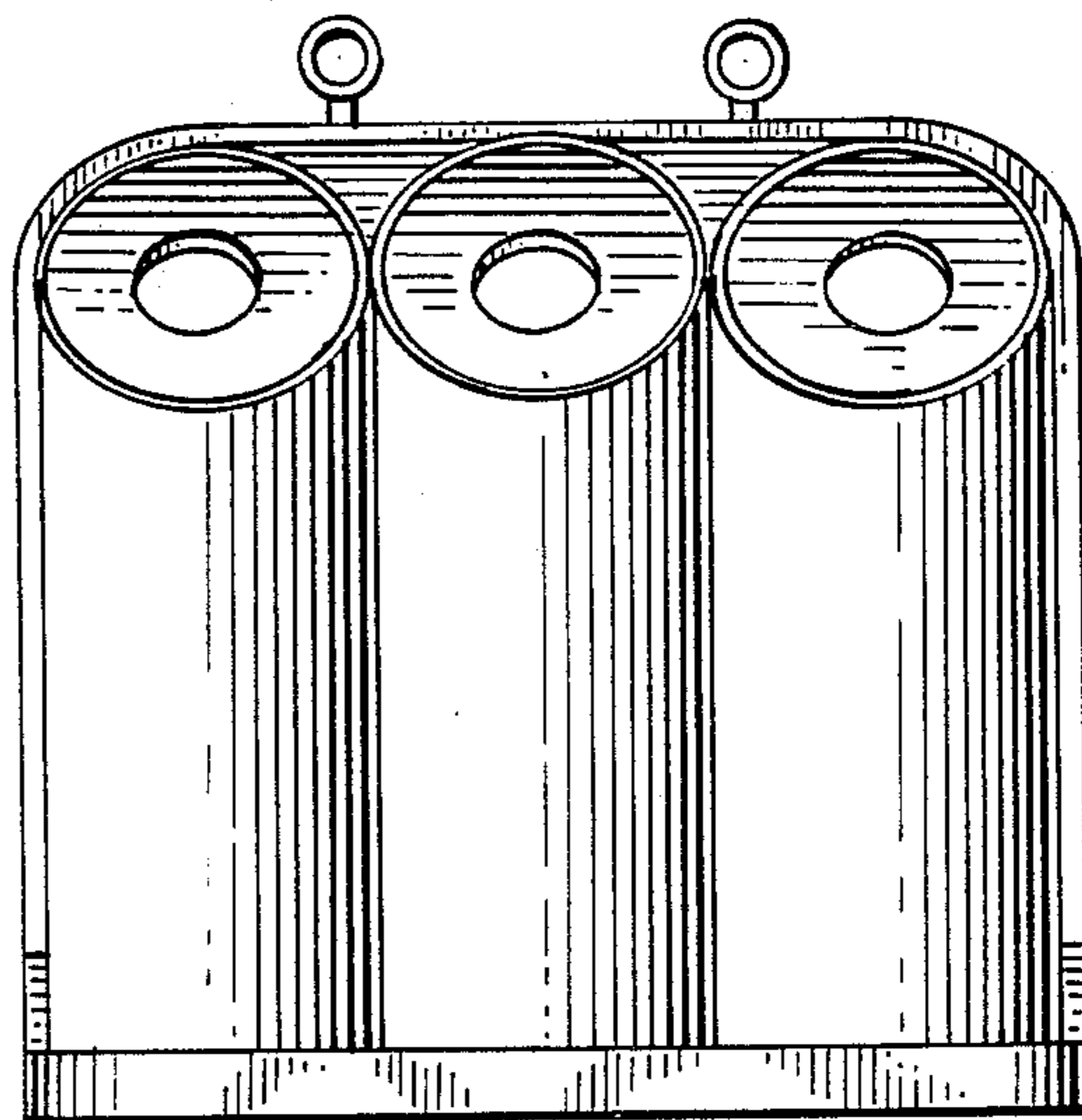
**FIG. 11.**



**FIG. 12.**



**FIG. 13.**



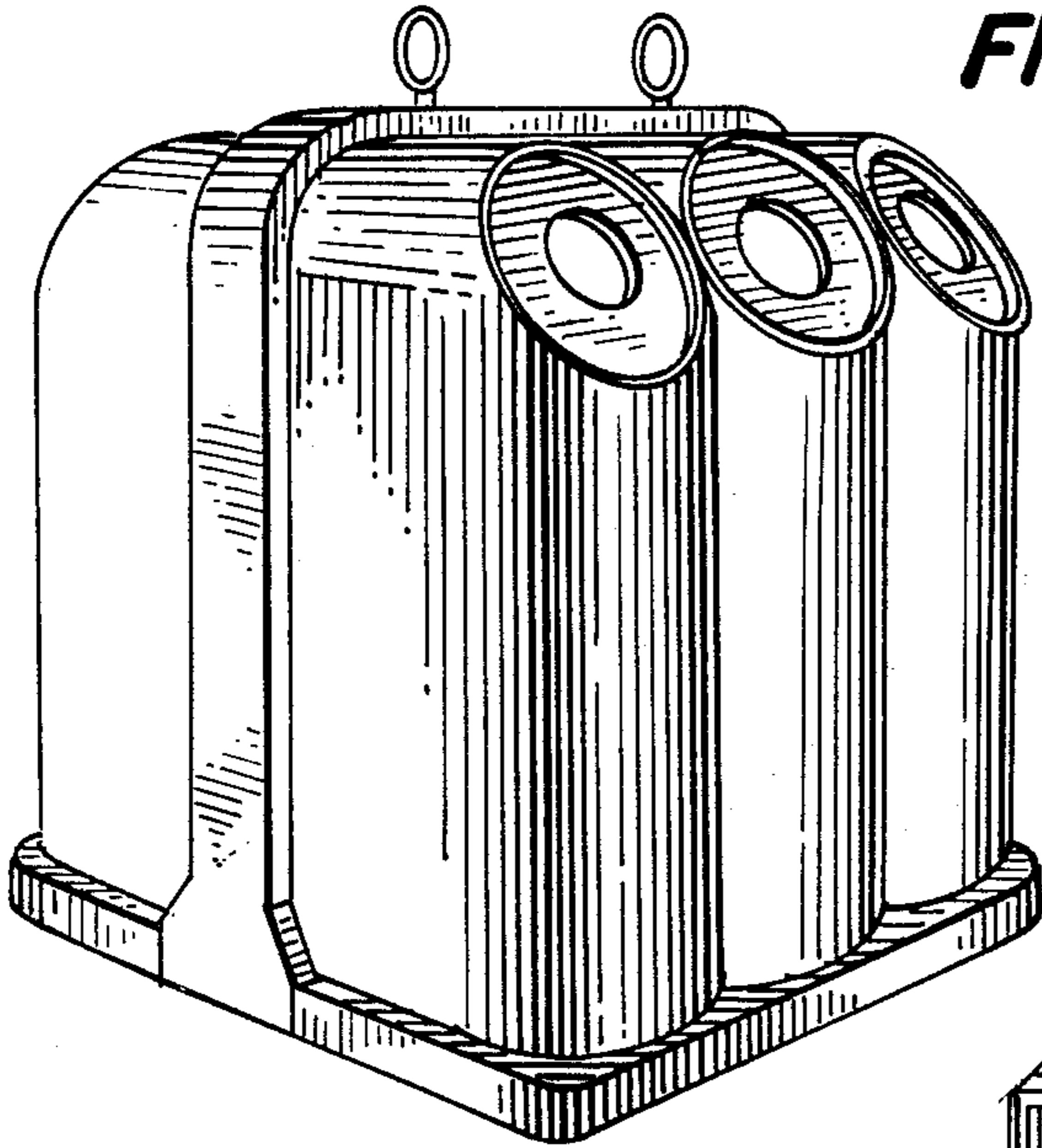


FIG. 14.

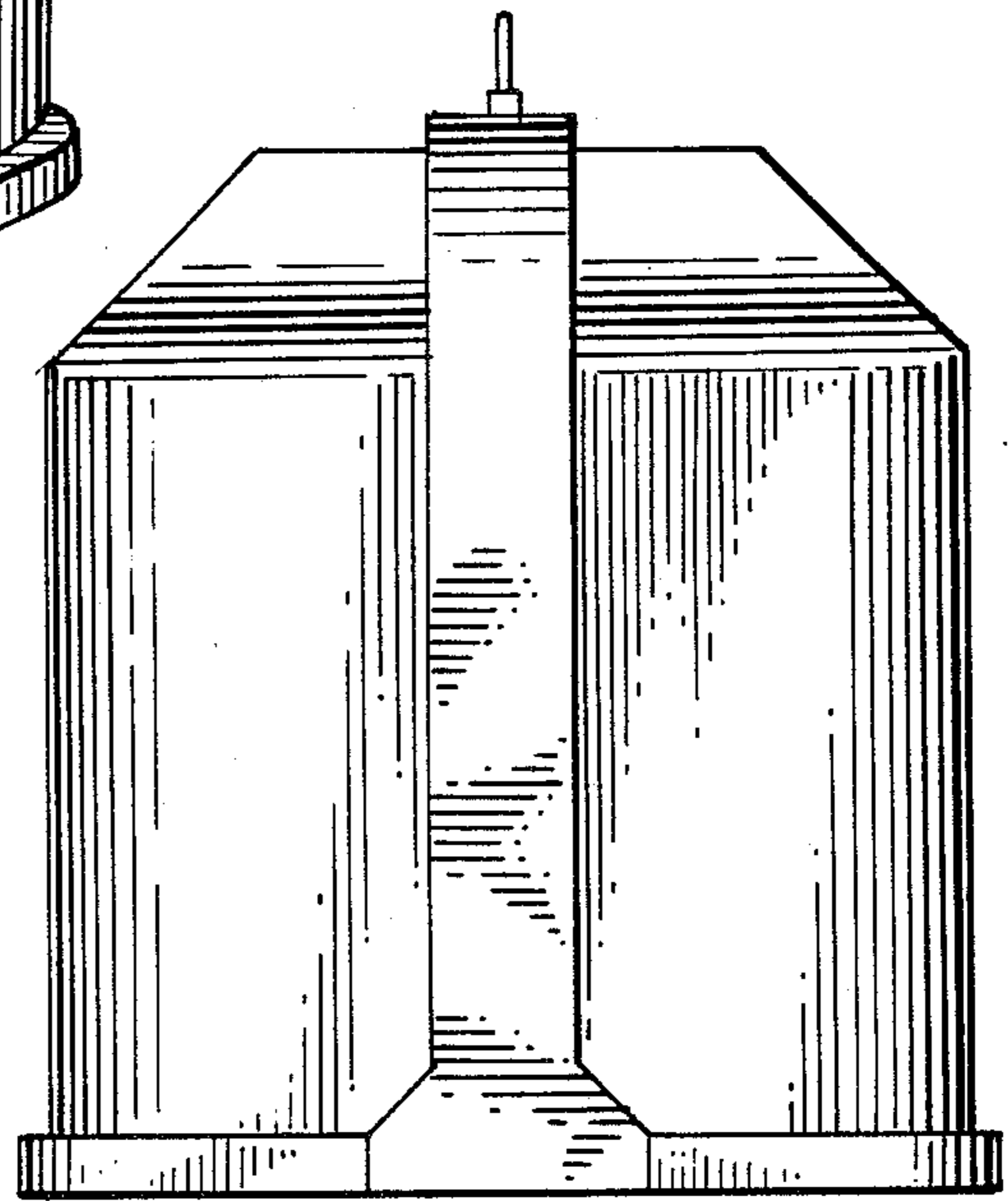
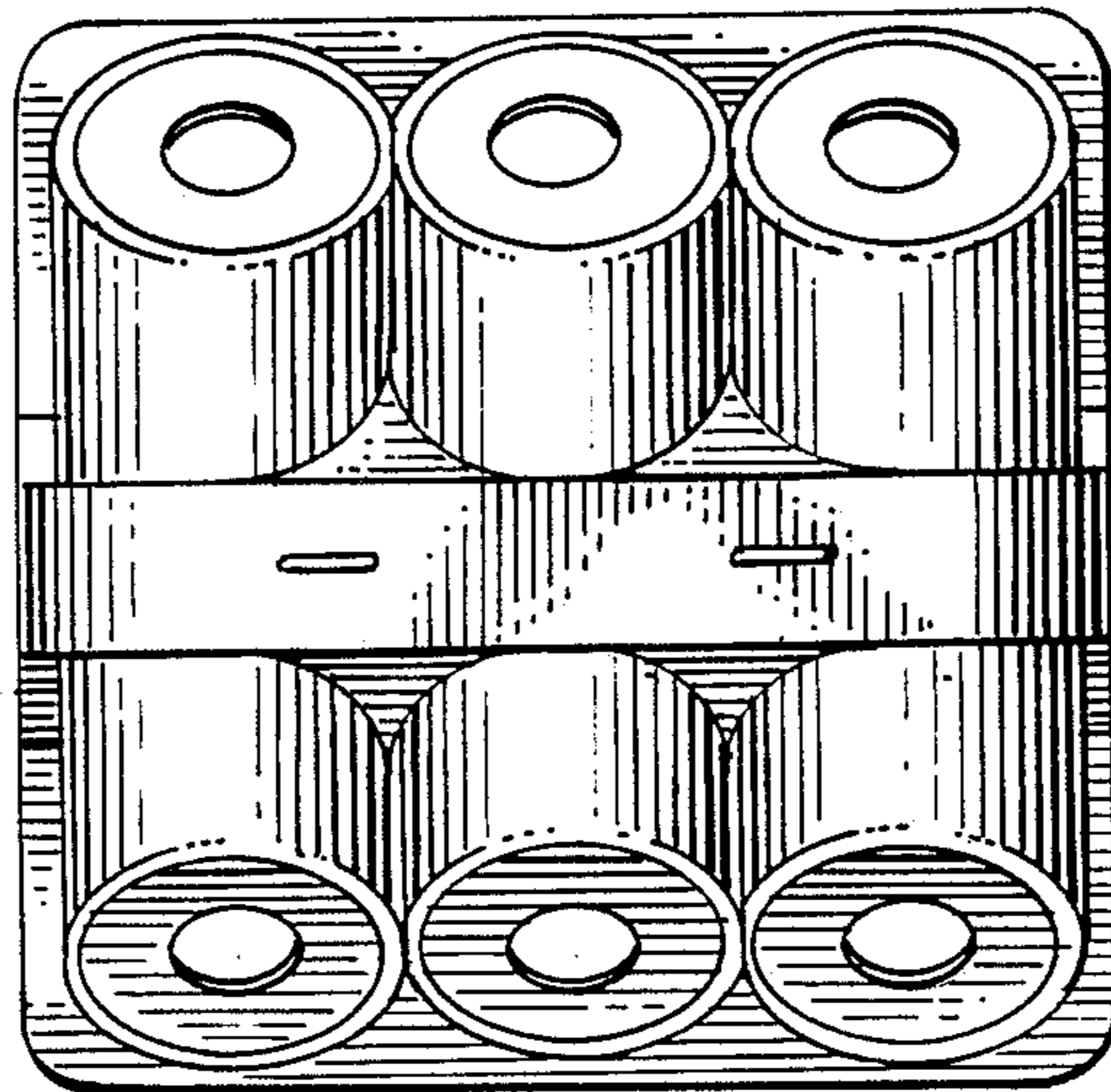


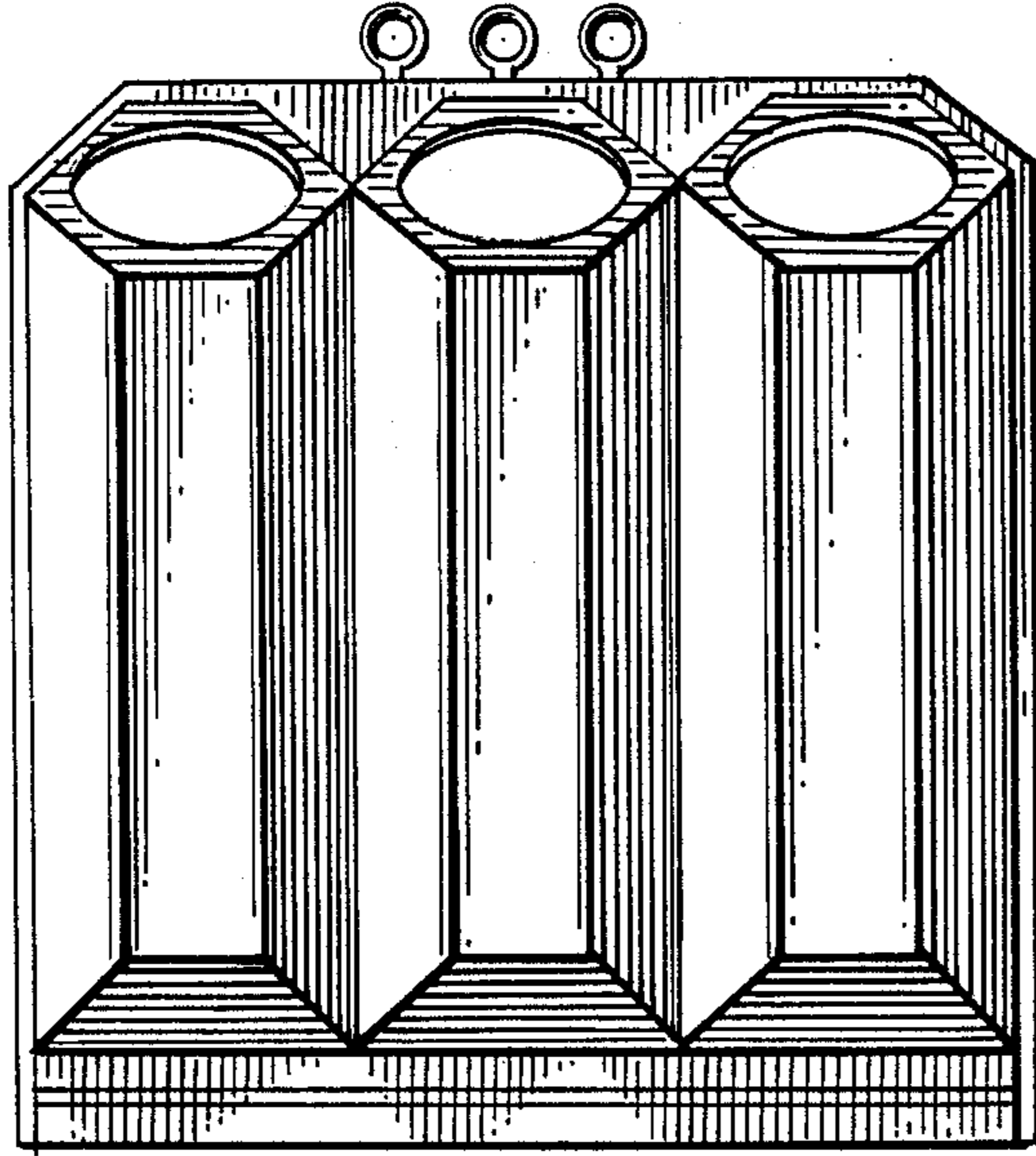
FIG. 15.

FIG. 16.

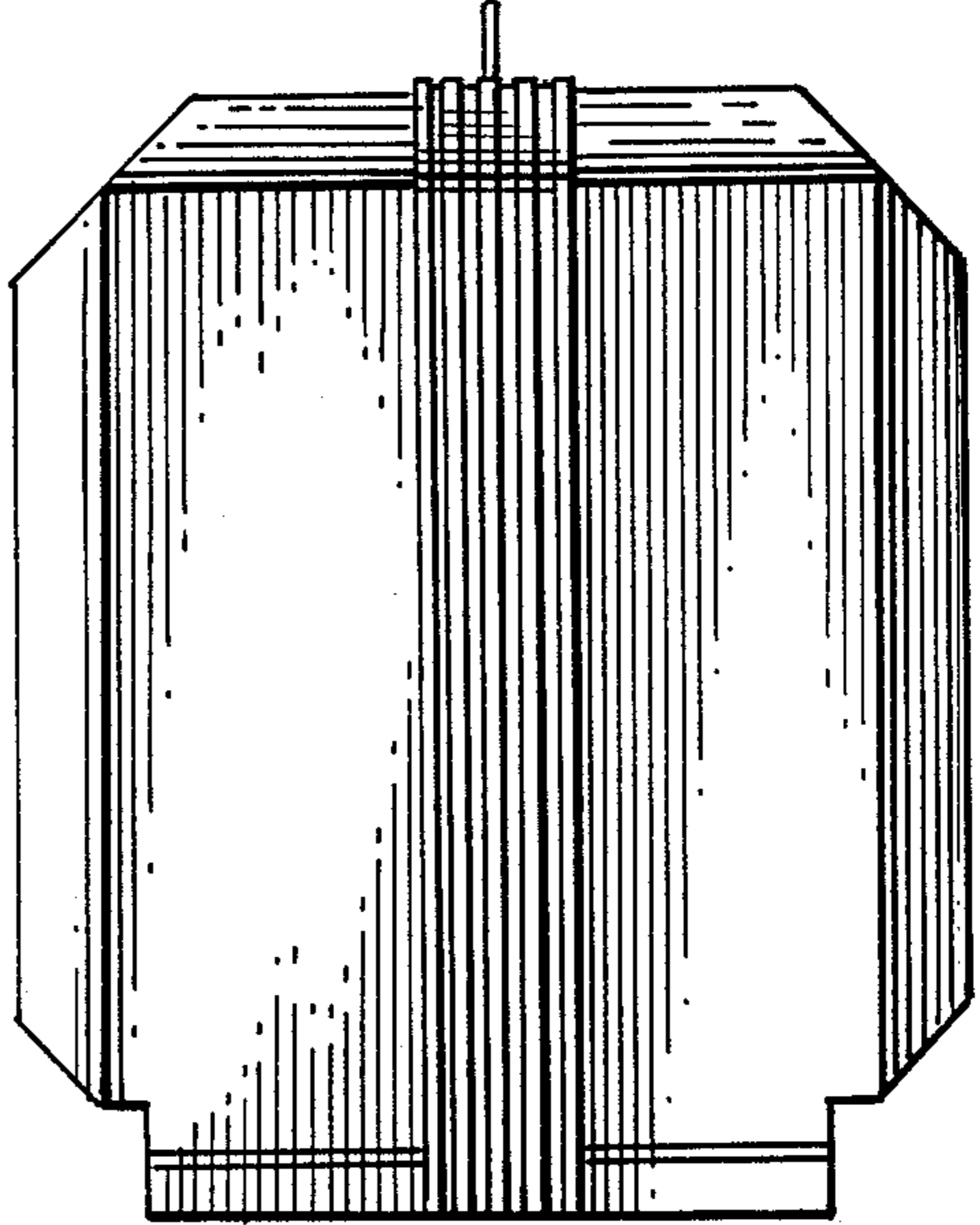




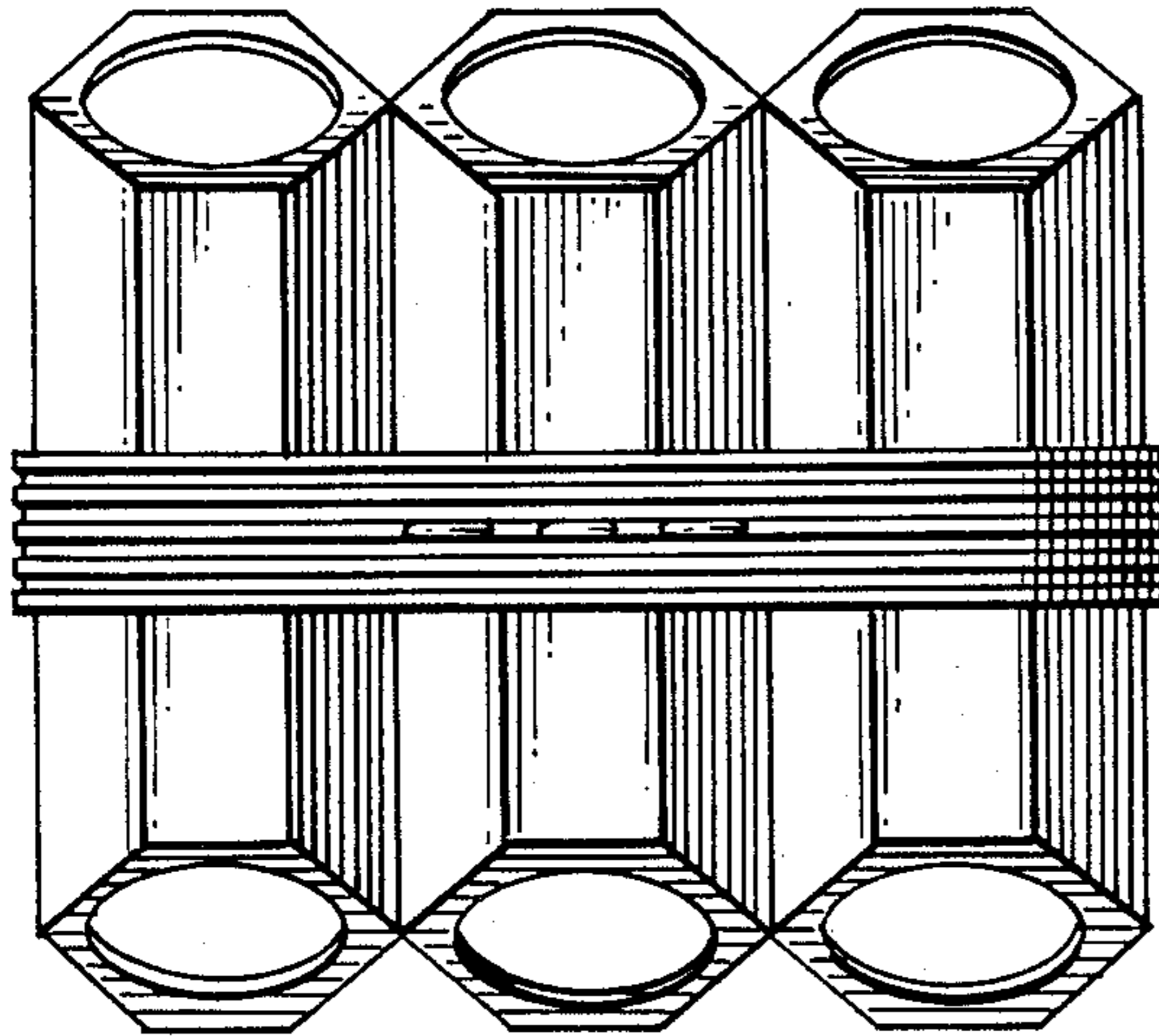
**FIG. 17.**



**FIG. 18.**



**FIG. 19.**



**FIG. 20.**

