

[54] **TRASH FUNNEL**

[76] **Inventor: Richard P. Jebb, P.O. Box 518,
Hawthorne, Fla. 32640**

[**] **Term: 14 Years**

[21] **Appl. No.: 94,103**

[22] **Filed: Sep. 8, 1987**

[52] **U.S. Cl. D34/1; D34/5;
D34/28**

[58] **Field of Search D34/1, 5, 6, 28;
248/101, 99, 97; 220/1 T, 404, 403; D7/72, 53**

[56] **References Cited**

U.S. PATENT DOCUMENTS

D. 188,261	6/1960	Kallstrom	D34/6
D. 229,473	12/1973	Henry	D34/1
D. 254,951	5/1980	Gedye	D34/1
D. 279,323	6/1985	Spenceley	D34/28
D. 298,073	10/1988	Johnson	D34/28
3,171,347	3/1965	Elrod	D34/6

4,470,627	9/1984	Carroll et al.	D34/5
4,723,742	2/1988	Krauss	248/97
4,765,579	8/1988	Robbins, III et al.	248/101

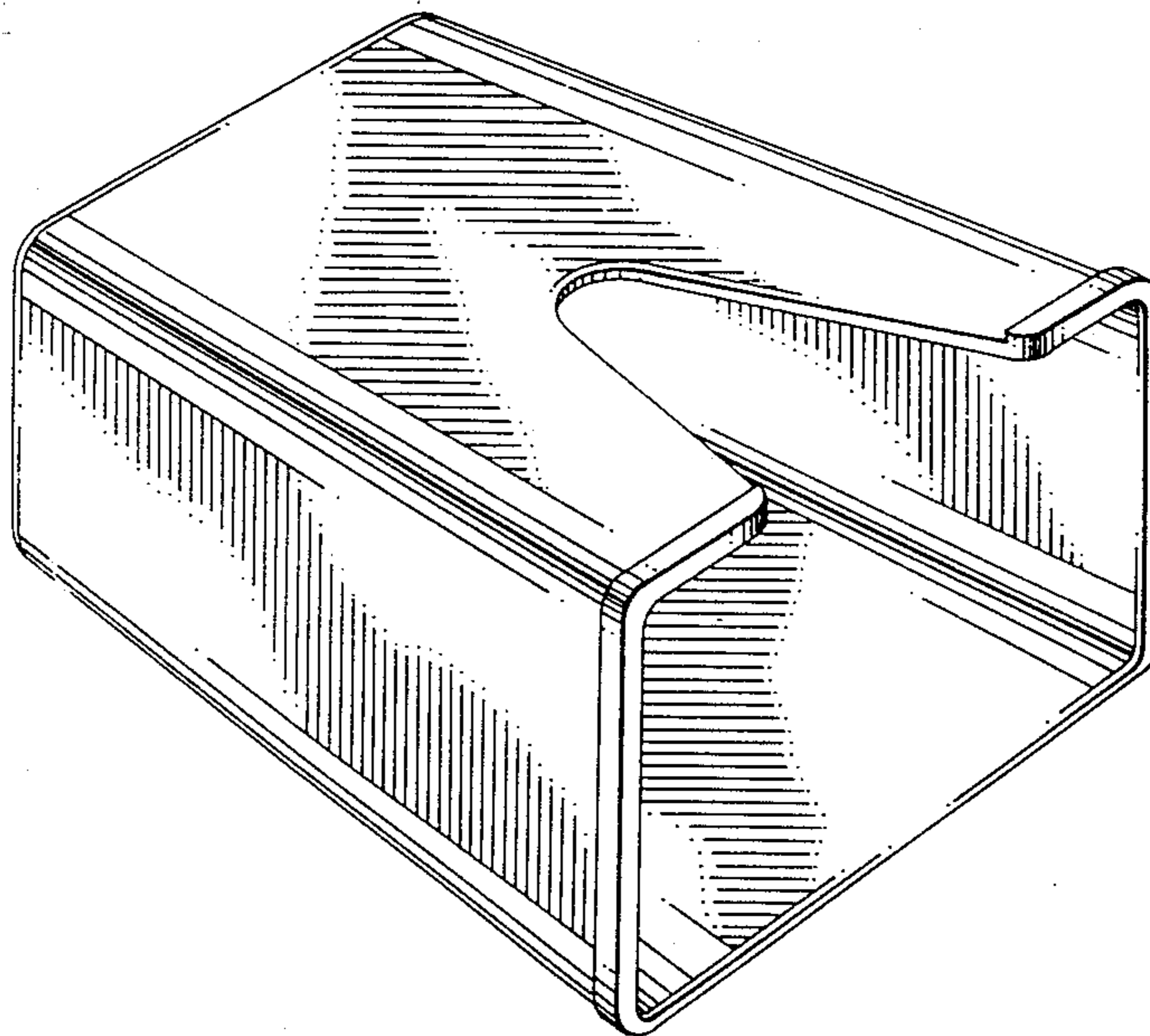
Primary Examiner—Wallace R. Burke
Assistant Examiner—Kay H. Chin
Attorney, Agent, or Firm—James H. Beusse

[57] **CLAIM**

The ornamental design for a trash funnel, as shown and described.

DESCRIPTION

FIG. 1 is a perspective view of the trash funnel showing my new design;
FIG. 2 is a side elevational view thereof, the opposite side elevational view being a mirror image of that shown;
FIG. 3 is a top plan view thereof;
FIG. 4 is a front elevational view thereof;
FIG. 5 is a bottom plan view thereof; and
FIG. 6 is a rear elevational view thereof.



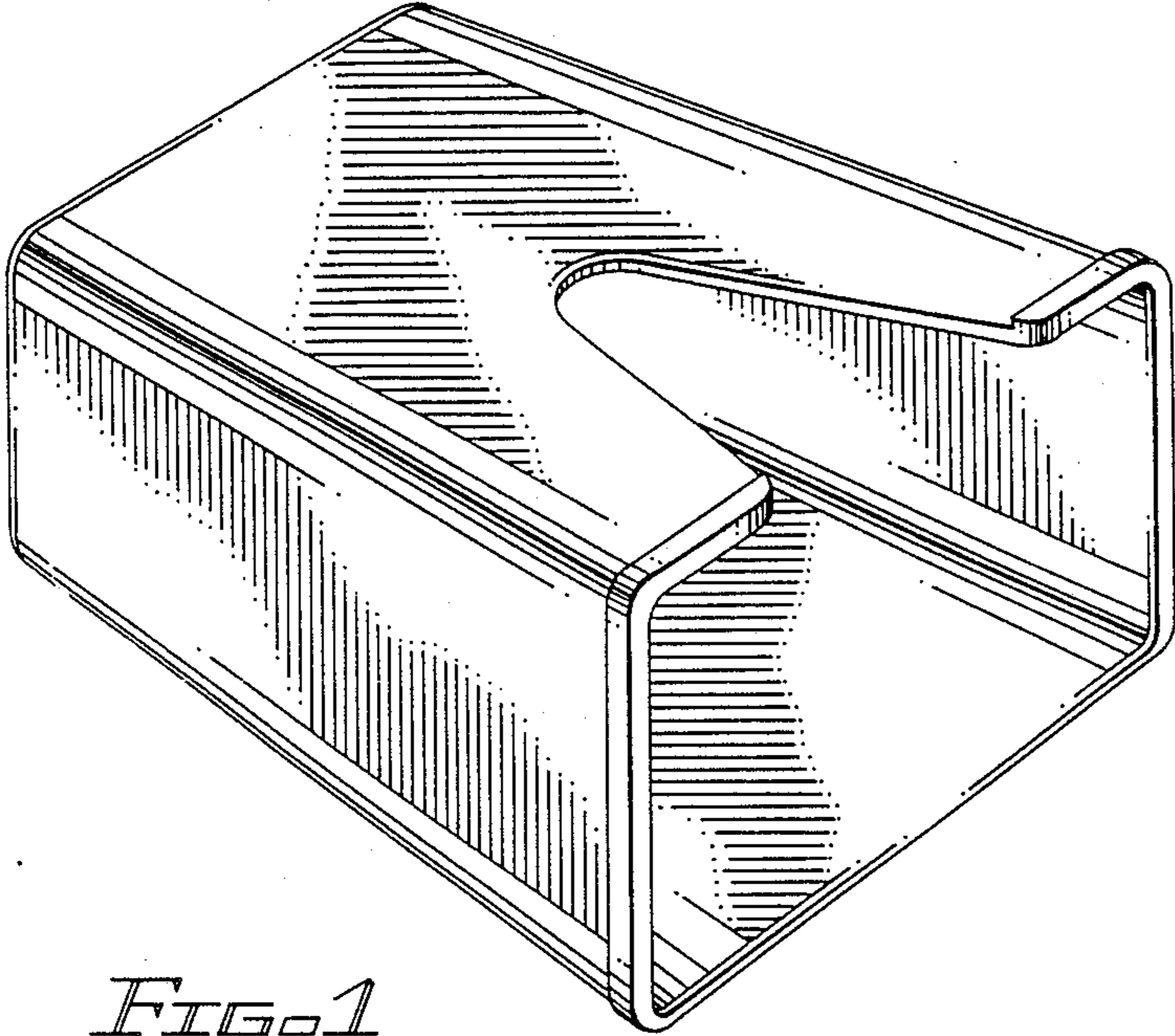


FIG. 1

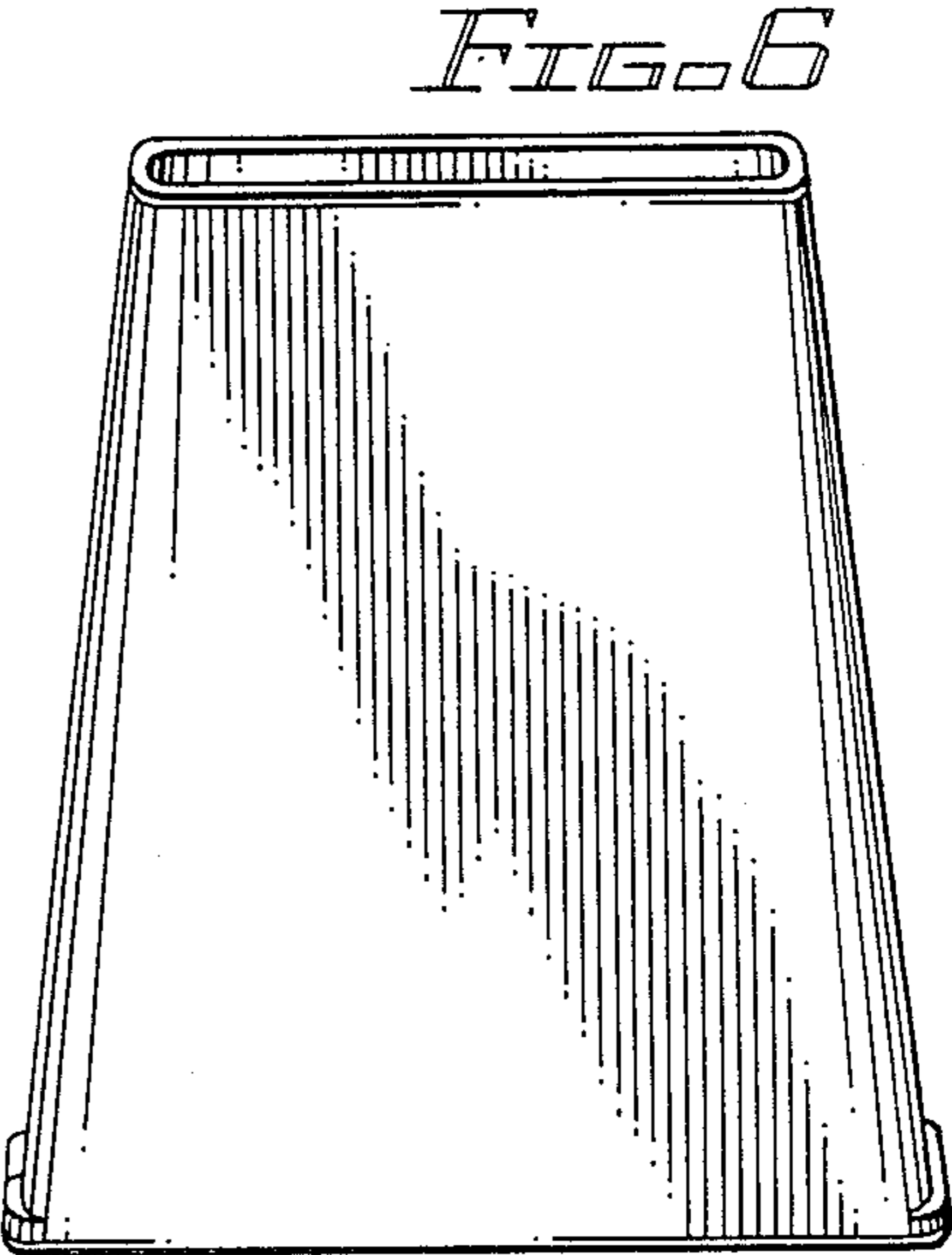


FIG. 6

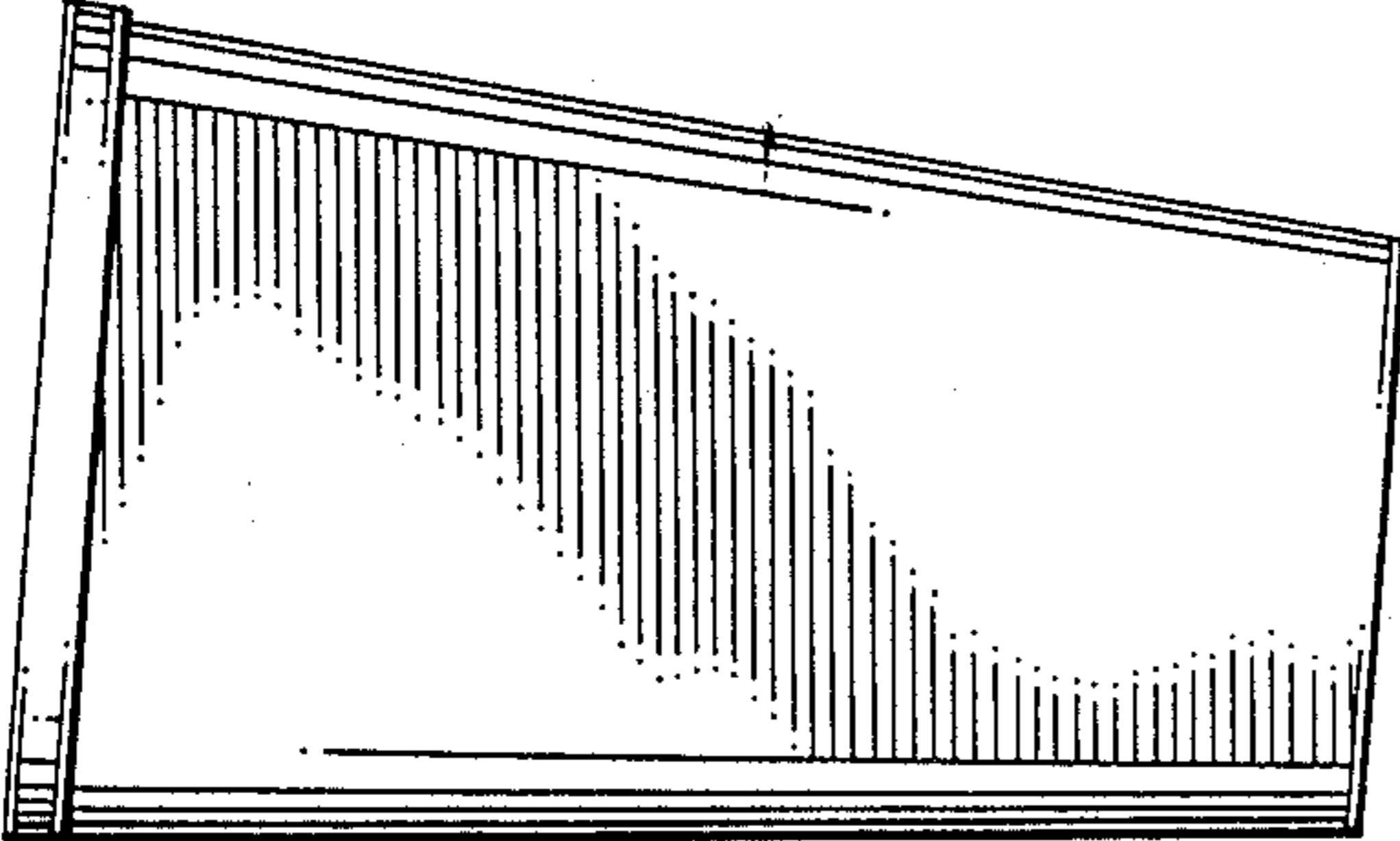


FIG. 2

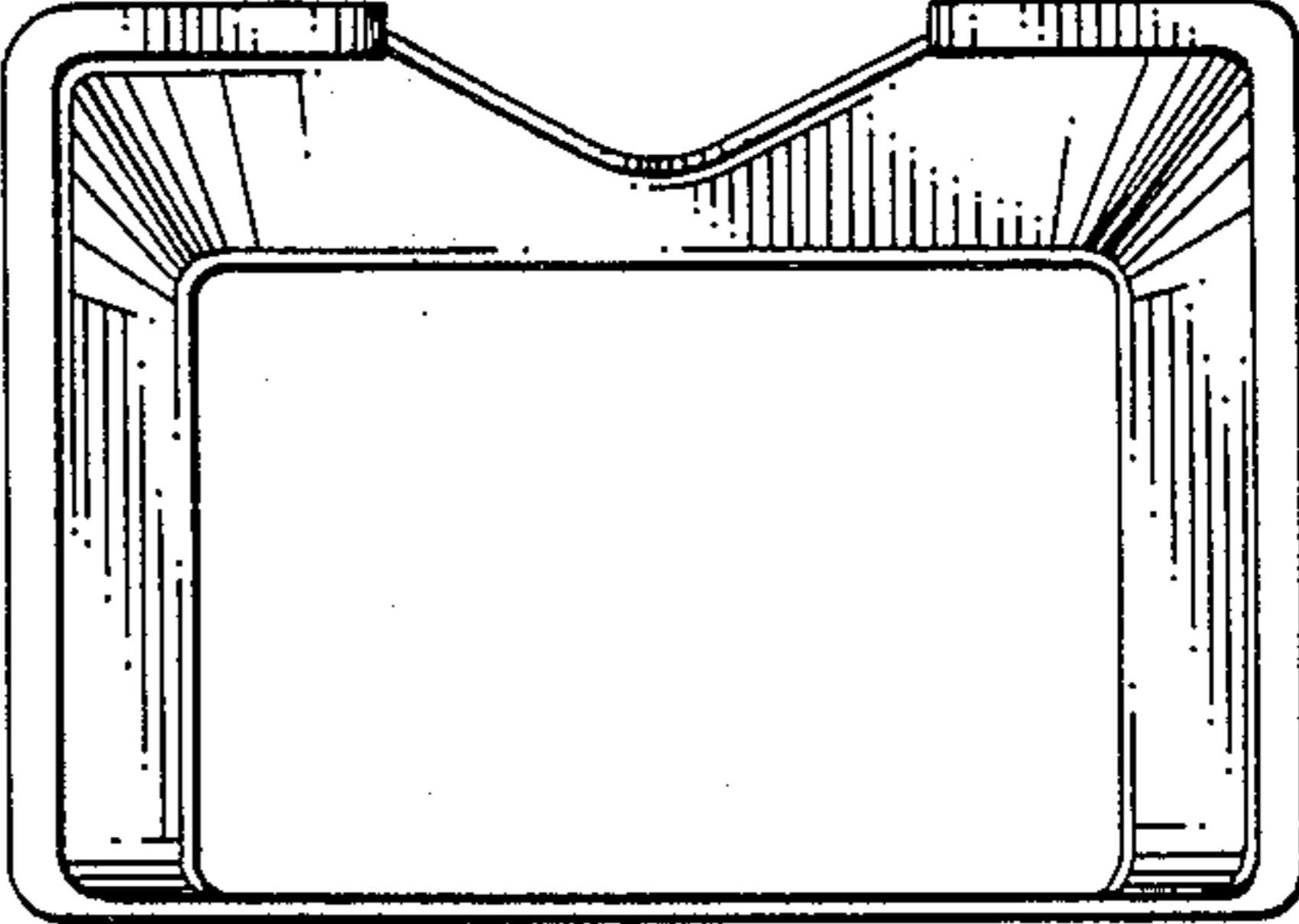


FIG. 3

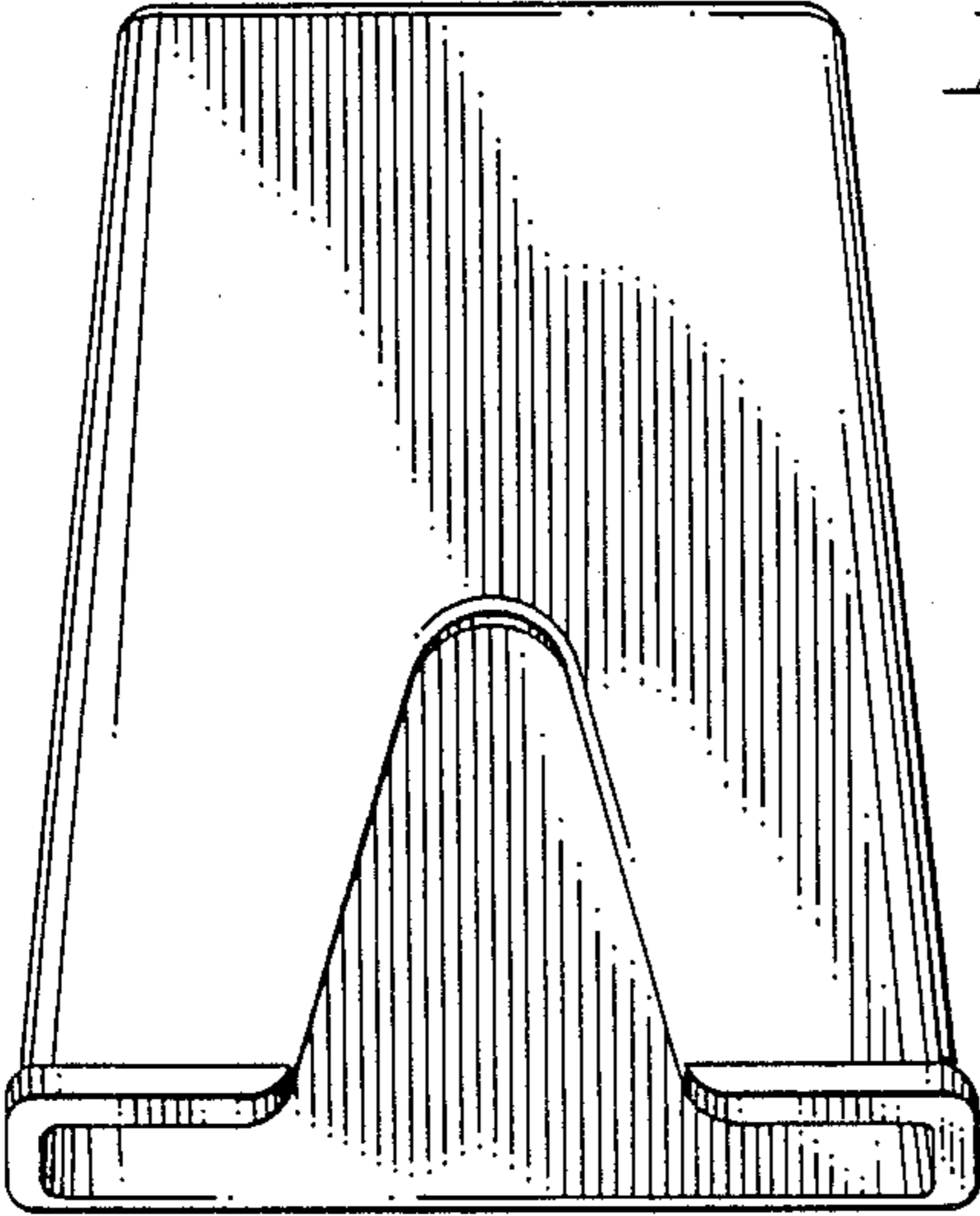


FIG. 4

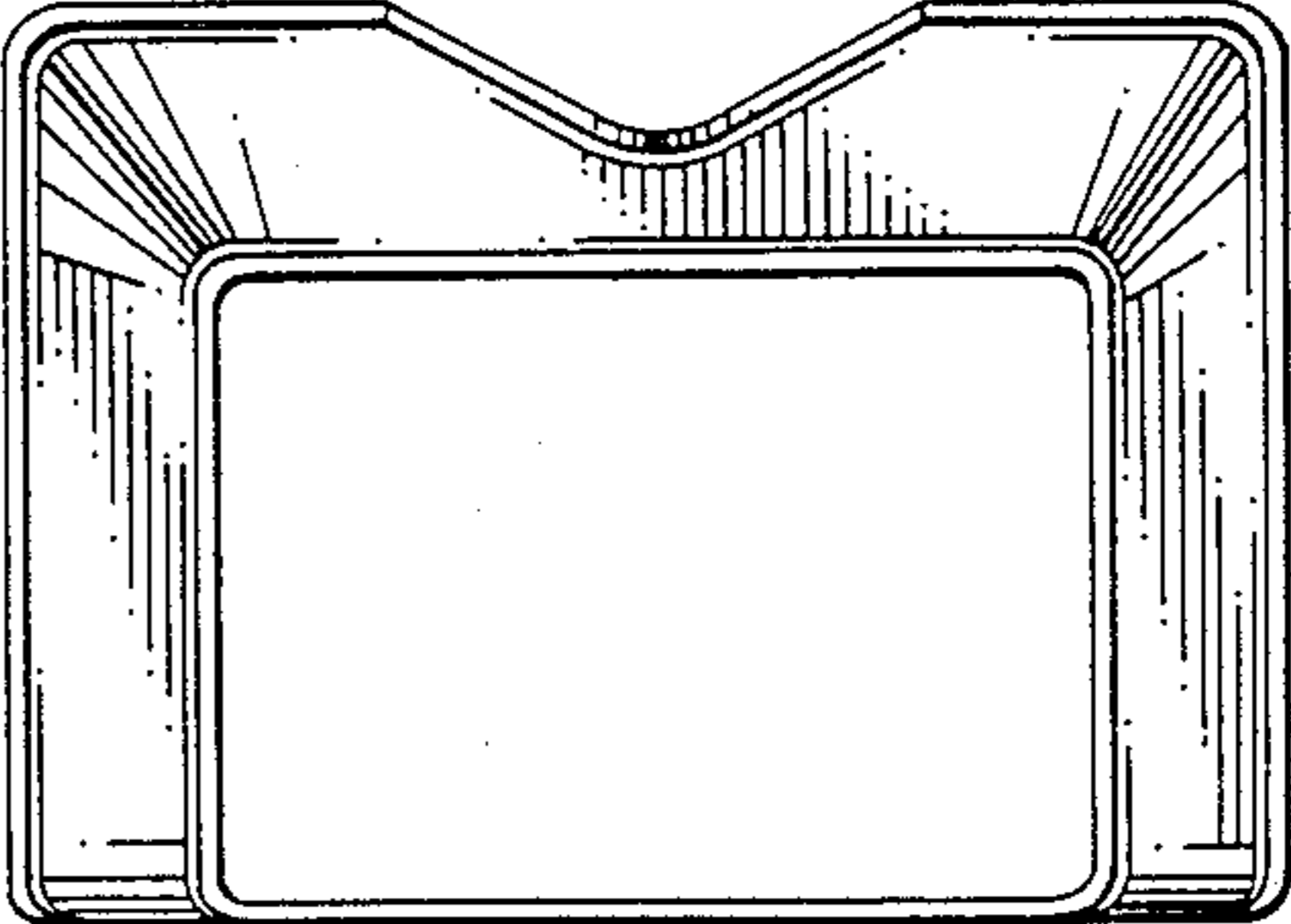


FIG. 5