

[54] HEAT EXCHANGER

[75] Inventor: Hisao Aoki, Tamamura, Japan

[73] Assignee: Sanden Corporation, Gunma, Japan

[\*] Notice: The portion of the term of this patent subsequent to Nov. 28, 2003 has been disclaimed.

[\*\*] Term: 14 Years

[21] Appl. No.: 767,022

[22] Filed: Aug. 19, 1985

[52] U.S. Cl. .... D23/386; D23/23

[58] Field of Search ..... 165/163, 184, 150, 151, 165/152, 153, 148, 149; D23/314, 386, 323, 330

[56] References Cited

U.S. PATENT DOCUMENTS

- D. 262,820 1/1982 Carruthers ..... D23/386
- D. 276,933 12/1984 Welch et al. .... D23/386
- 2,294,030 8/1942 Higham et al. .
- 2,792,201 5/1957 Whistler, Jr. .... 165/152 X
- 2,838,830 6/1958 Huggins .
- 2,848,200 8/1958 Jacobs .
- 3,042,380 7/1962 Karmazin .
- 3,147,800 9/1964 Tadewald .
- 4,350,025 9/1982 Izumi .
- 4,353,224 10/1982 Nonogaki et al. .
- 4,410,036 10/1983 Kanada et al. . .
- 4,469,168 9/1984 Itoh et al. .
- 4,587,701 5/1986 Hoisuka et al. .
- 4,615,383 10/1986 Hisao .
- 4,620,590 11/1986 Koisuka et al. .
- 4,676,304 6/1987 Koisuka et al. .
- 4,678,112 7/1987 Koisuka et al. .
- 4,716,959 1/1988 Aoki .

FOREIGN PATENT DOCUMENTS

- 513573 9/1952 Belgium .
- 2705178 9/1977 Fed. Rep. of Germany .
- 1209680 9/1959 France .
- 57-22868 2/1982 Japan .
- 57-73392 5/1982 Japan .
- 57-105690 7/1982 Japan .
- 0096986 6/1983 Japan ..... 165/152
- 0063494 4/1984 Japan ..... 165/152

OTHER PUBLICATIONS

Advertising Brochure of Sanden Corporation "Serpentine Evaporators".

U.S. Ser. No. 948,214 filed 12-31-86 of Aoki.

U.S. Ser. No. 829,955 filed 2-18-86 to Aoki et al.

U.S. Ser. No. 706,140 filed 2-27-85 to Ishikawa et al.

U.S. Ser. No. 674,182 filed 10-2-86 to Aoki.

Primary Examiner—Susan J. Lucas

Attorney, Agent, or Firm—Banner, Birch, McKie & Beckett

[57] CLAIM

The ornamental design for a heat exchanger, as shown and described.

DESCRIPTION

FIG. 1 is a front elevational view of a heat exchanger showing my new design;

FIG. 2 is a rear elevational view thereof;

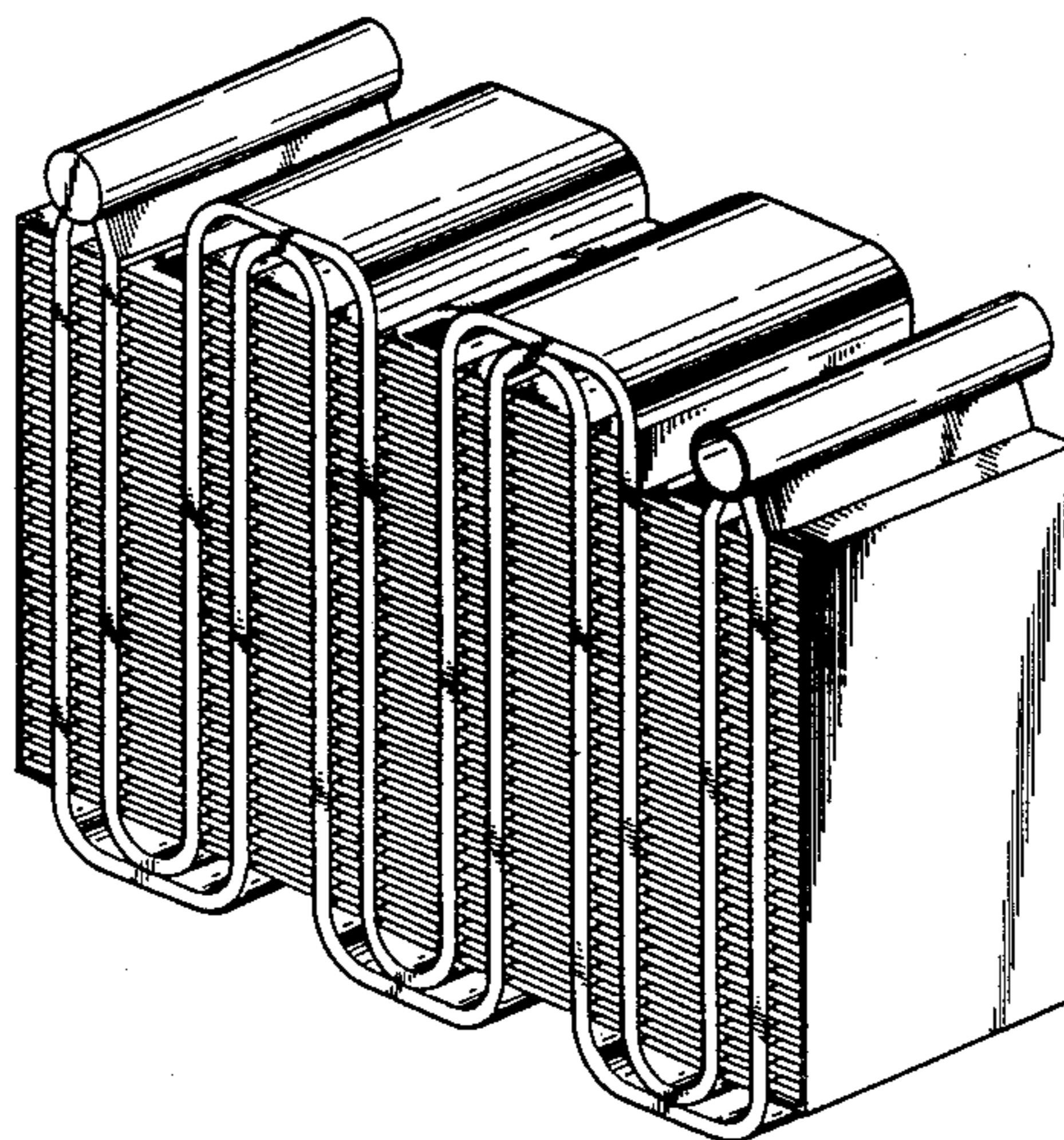
FIG. 3 is a top plan view thereof;

FIG. 4 is a bottom plan view thereof;

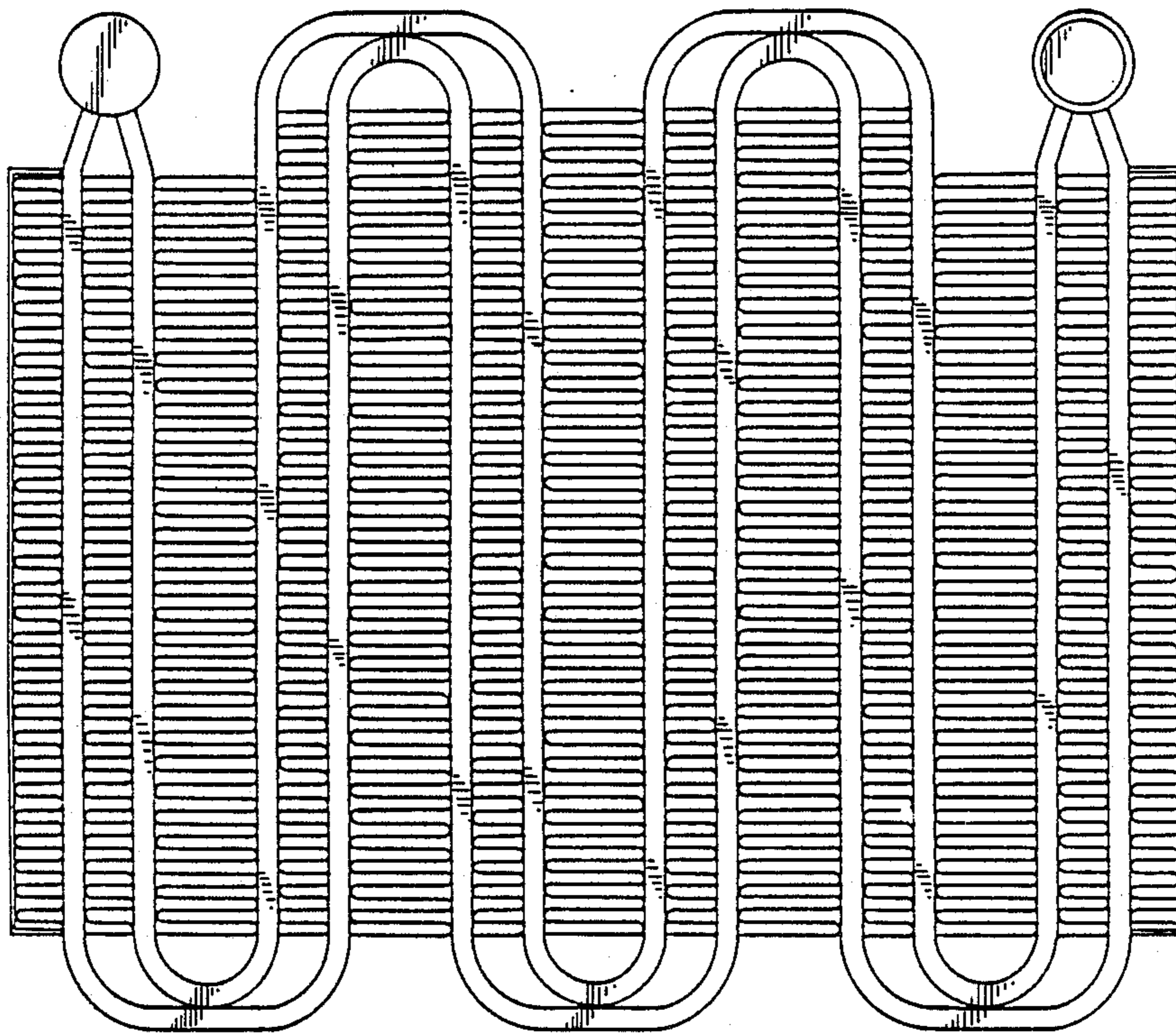
FIG. 5 is a left side elevational view thereof, the right side being a mirror image;

FIG. 6 is a front perspective view thereof, the rear being a mirror image.

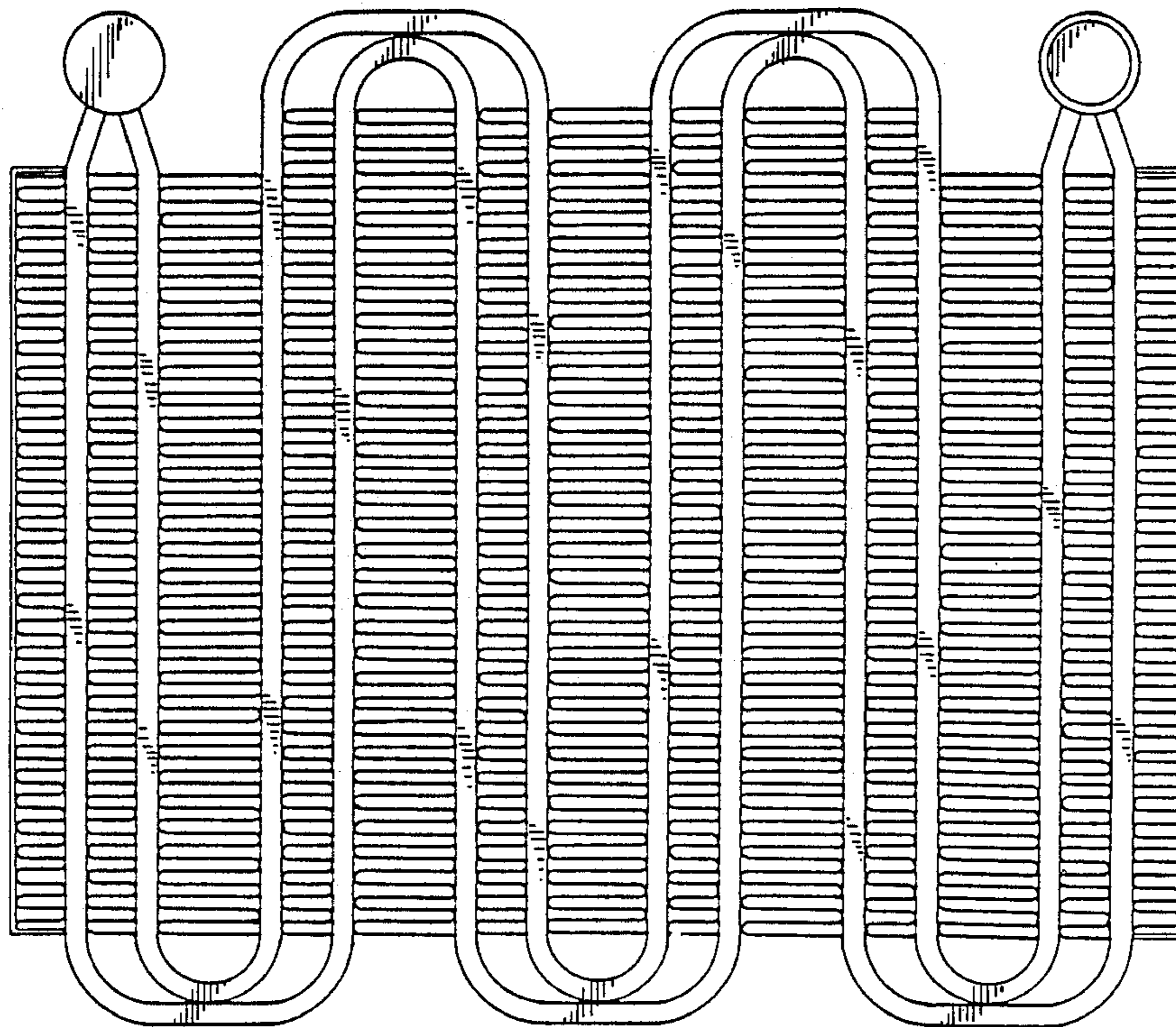
The rear perspective view thereof is substantially the same as a front perspective view thereof.



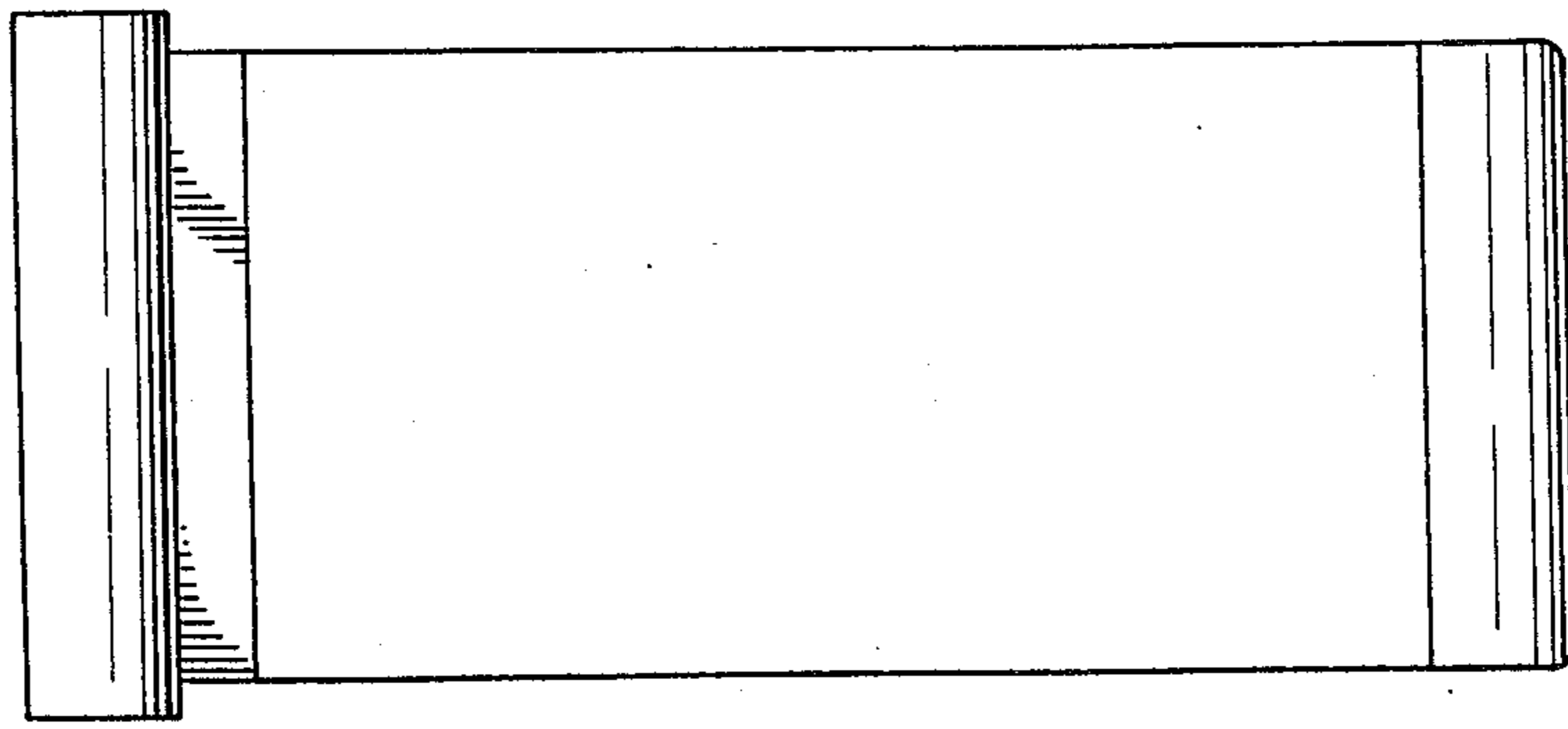
**FIG. 1**



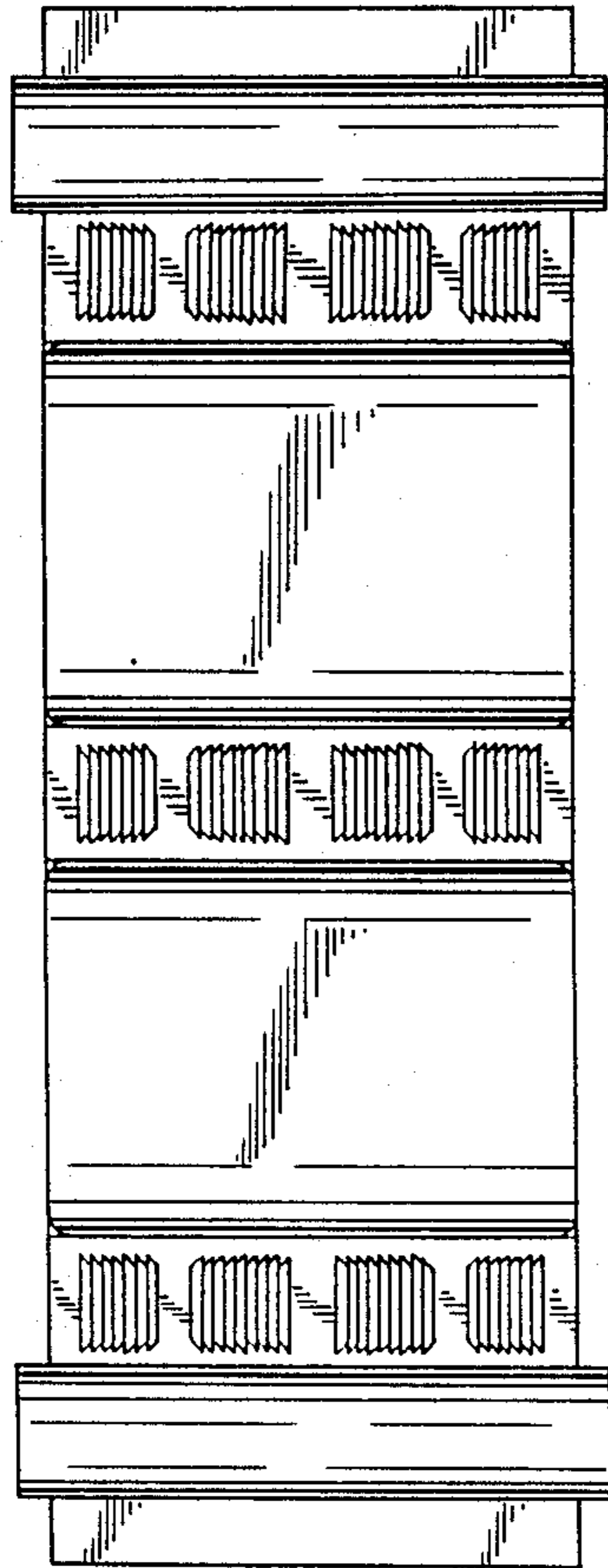
**FIG. 2**



**FIG. 5**



**FIG. 3**



**FIG. 4**

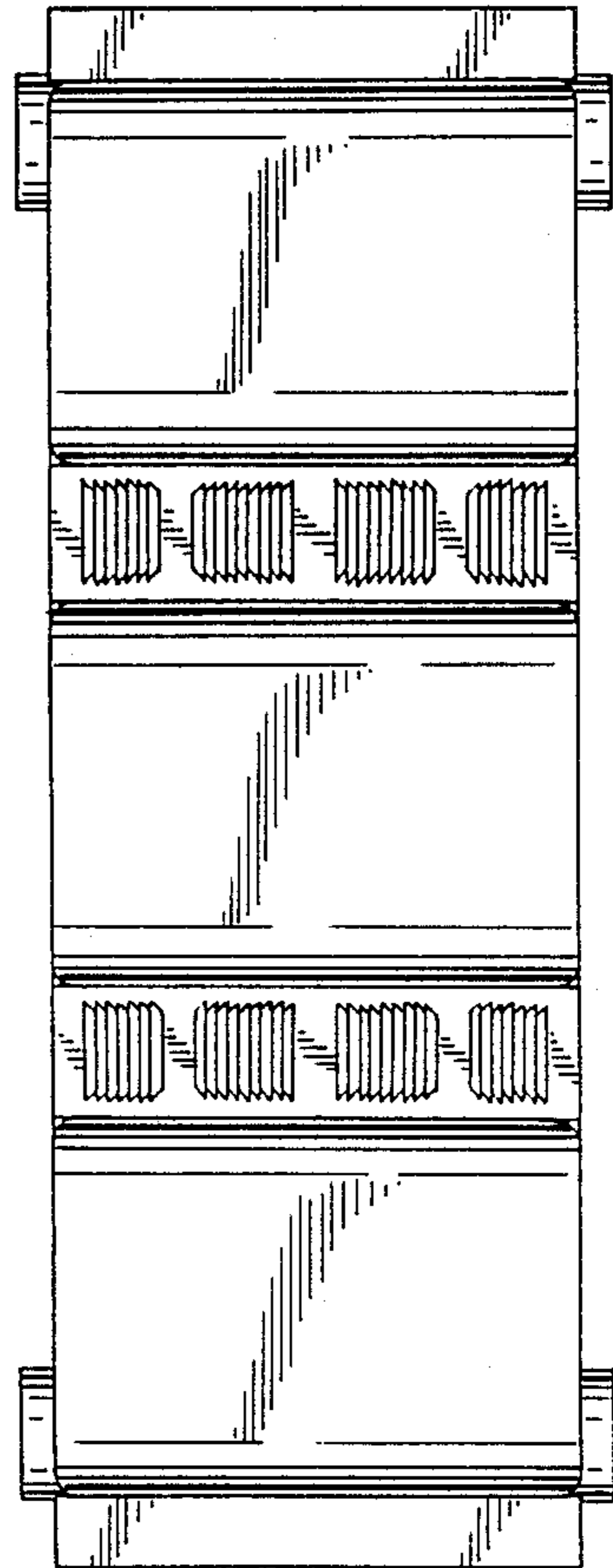


FIG. 6

