

[54] **HEAT EXCHANGER**

[75] **Inventor: Hisao Aoki, Tamamura, Japan**

[73] **Assignee: Sanden Corporation, Gunma, Japan**

[\*] **Notice:** The portion of the term of this patent subsequent to Nov. 28, 2003 has been disclaimed.

[\*\*] **Term: 14 Years**

[21] **Appl. No.: 767,049**

[22] **Filed: Aug. 19, 1985**

[52] **U.S. Cl. .... D23/386; D23/323**

[58] **Field of Search ..... 165/163, 184, 150, 151, 165/152, 153; D23/386, 314, 323, 330**

[56] **References Cited**

**U.S. PATENT DOCUMENTS**

D. 262,820	1/1982	Carruthers .....	D23/386
D. 276,933	12/1984	Welch et al. ....	D23/386
2,294,030	8/1942	Higham et al. .	
2,792,201	5/1957	Whistler, Jr. ....	165/152 X
2,838,830	6/1958	Huggins .	
2,848,200	8/1958	Jacobs .	
3,042,380	7/1962	Karmazin .	
3,147,800	9/1964	Tadewald .	
4,350,025	9/1982	Izumi .	
4,353,224	10/1982	Nonogaki et al. .	
4,410,036	10/1983	Kanada et al. .	
4,469,168	9/1984	Itoh et al. .	
4,587,701	5/1986	Koisuka et al. .	
4,615,383	10/1986	Hisao .	
4,620,590	11/1986	Koisuka et al. .	
4,676,304	6/1987	Koisuka et al. .	
4,678,112	7/1987	Koisuka et al. .	
4,716,959	1/1988	Aoki .	

**FOREIGN PATENT DOCUMENTS**

513573	9/1952	Belgium .	
2705178	9/1977	Fed. Rep. of Germany .	
1209680	9/1959	France .	
57-22868	2/1982	Japan .	
57-73392	5/1982	Japan .	
57-105690	7/1982	Japan .	
0096986	6/1983	Japan .....	165/152
0063494	4/1984	Japan .....	165/152

**OTHER PUBLICATIONS**

Advertising Brochure of Sanden Corporation "Serpentine Evaporators".

U.S. Ser. No. 948,214 filed 12-31-86 of Aoki.

U.S. Ser. No. 829,955 filed 2-18-86 to Aoki et al.

U.S. Ser. No. 706,140 filed 2-27-85 to Ishikawa et al.

U.S. Ser. No. 674,182 filed 10-2-86 to Aoki.

*Primary Examiner*—Susan J. Lucas

*Attorney, Agent, or Firm*—Banner, Birch, McKie & Beckett

[57] **CLAIM**

The ornamental design for a heat exchanger, as shown and described.

**DESCRIPTION**

FIG. 1 is a front elevational view of a heat exchanger showing my new design;

FIG. 2 is a rear elevational view thereof;

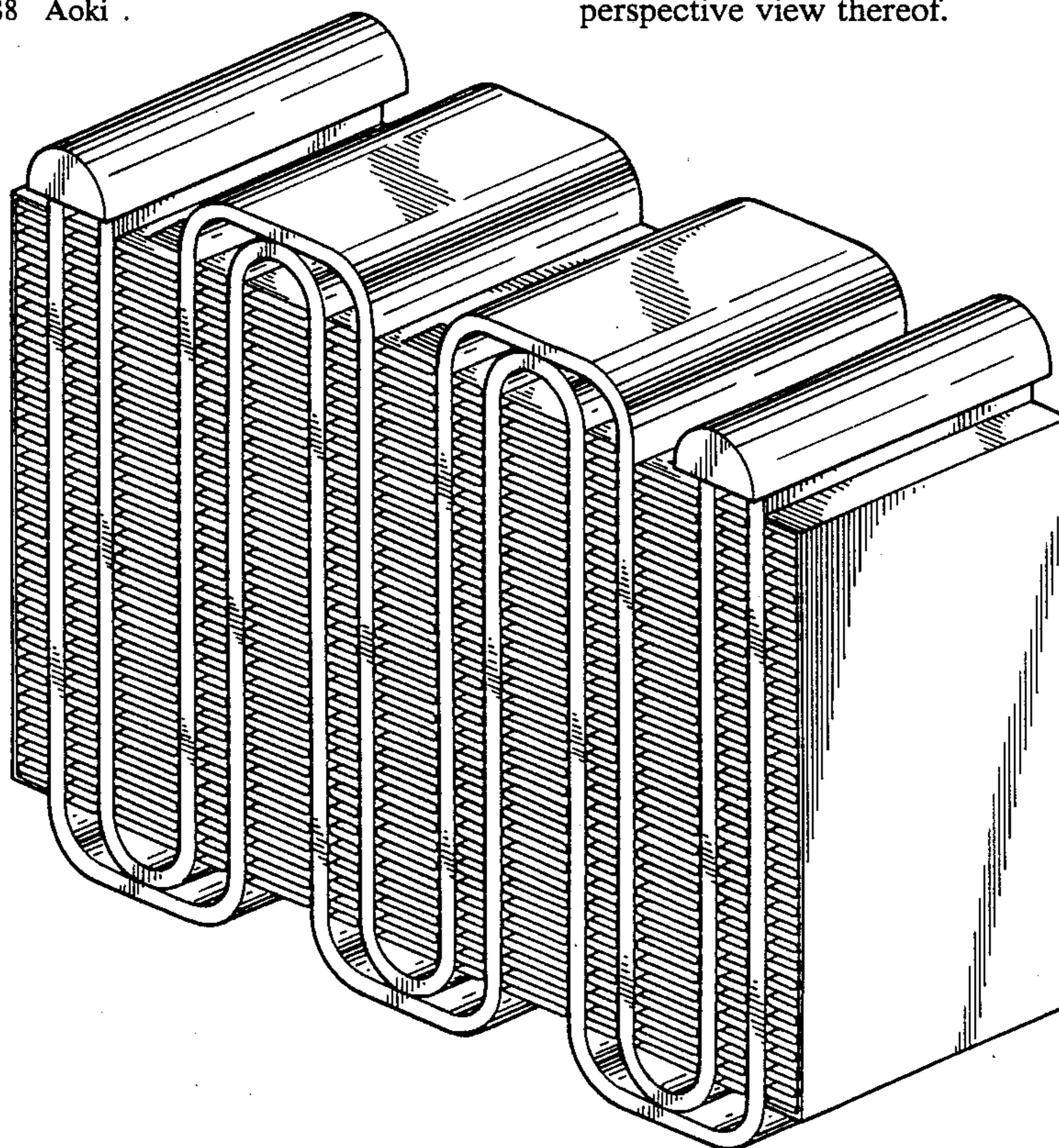
FIG. 3 is a top plan view thereof;

FIG. 4 is a bottom plan view thereof;

FIG. 5 is a left side elevational thereof, the right side being a mirror image;

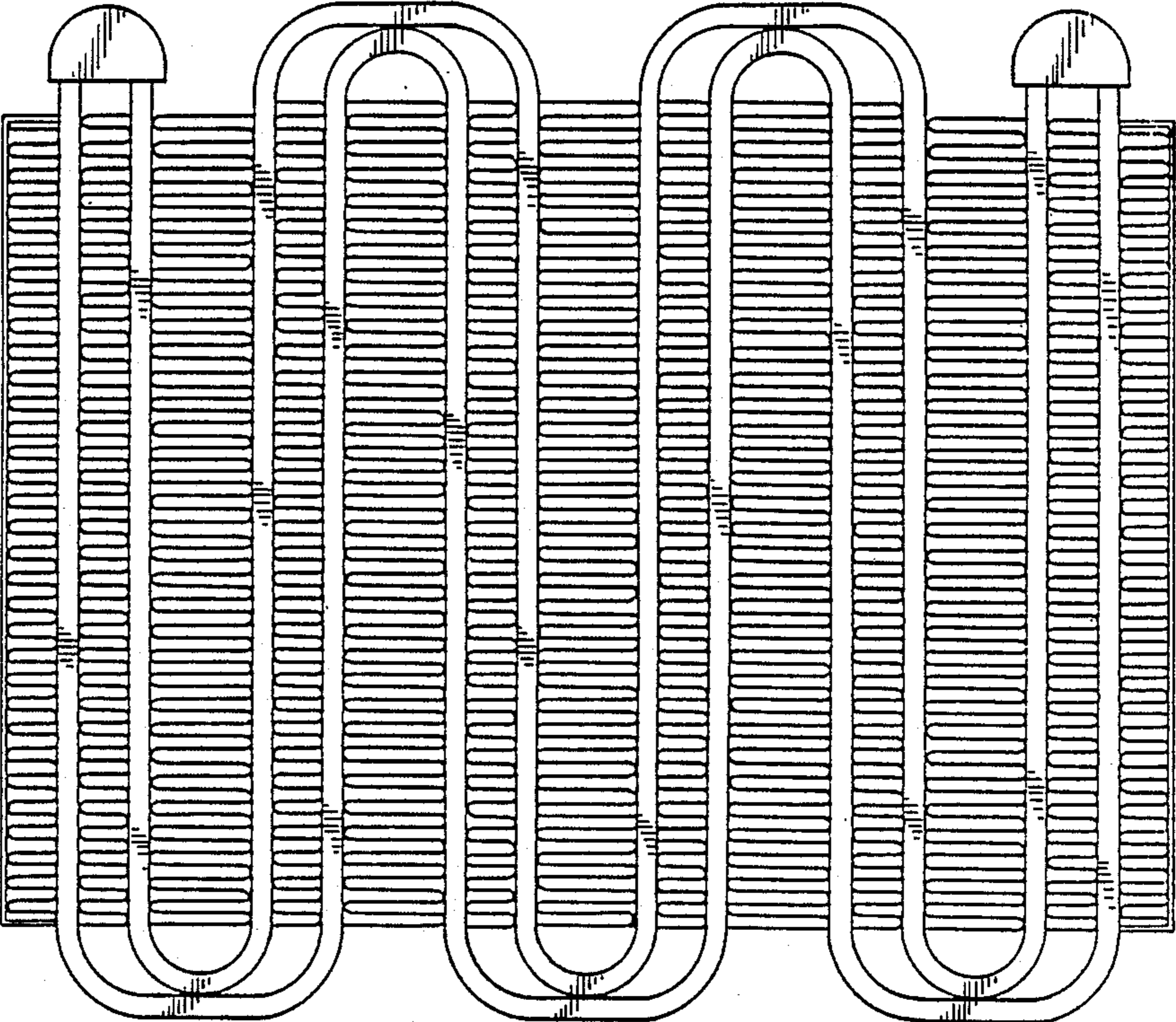
FIG. 6 is a front perspective view thereof, the rear being a mirror image.

A rear perspective view thereof is the same as a front perspective view thereof.





*FIG. 1*



*FIG. 2*

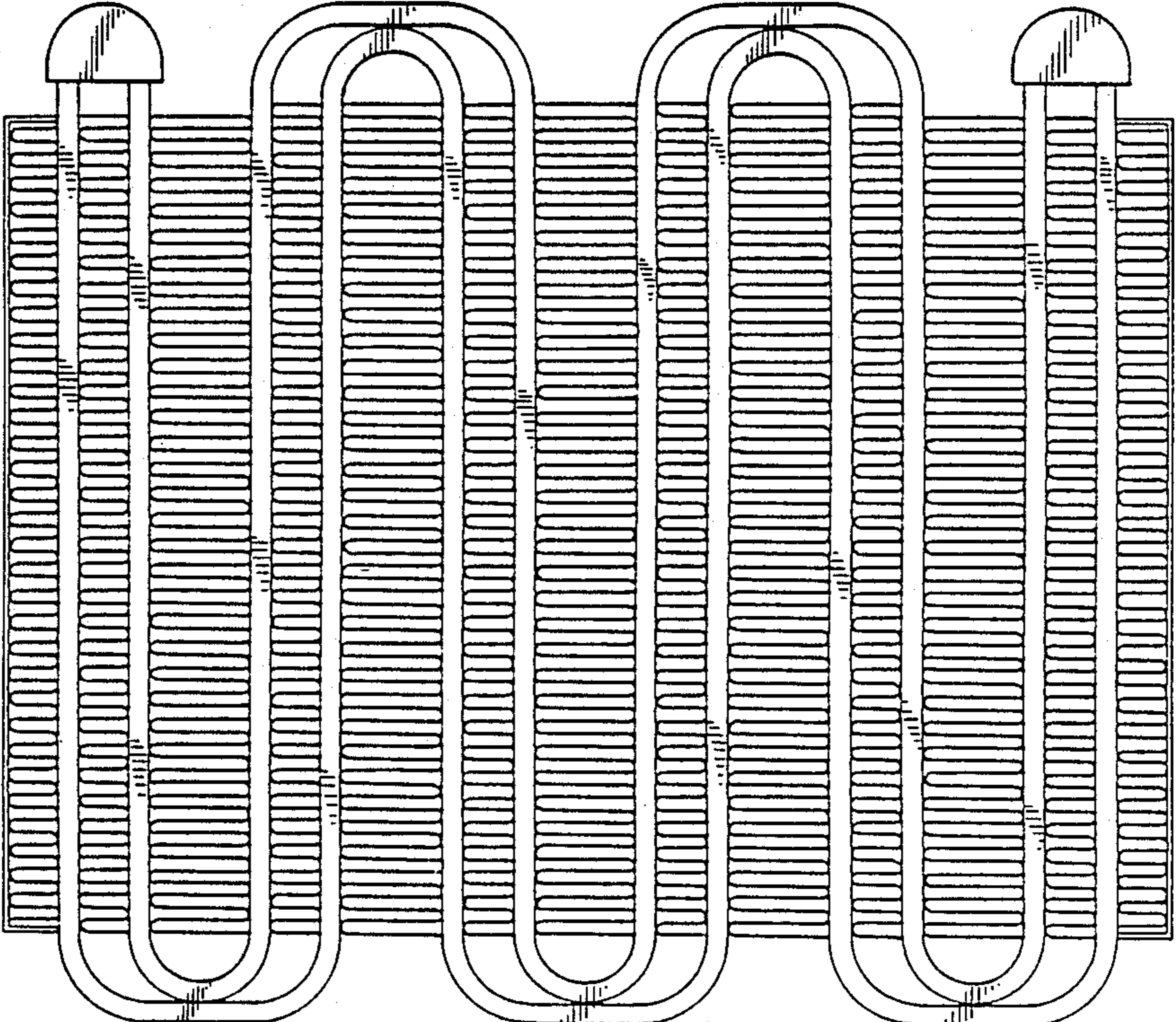


FIG. 5

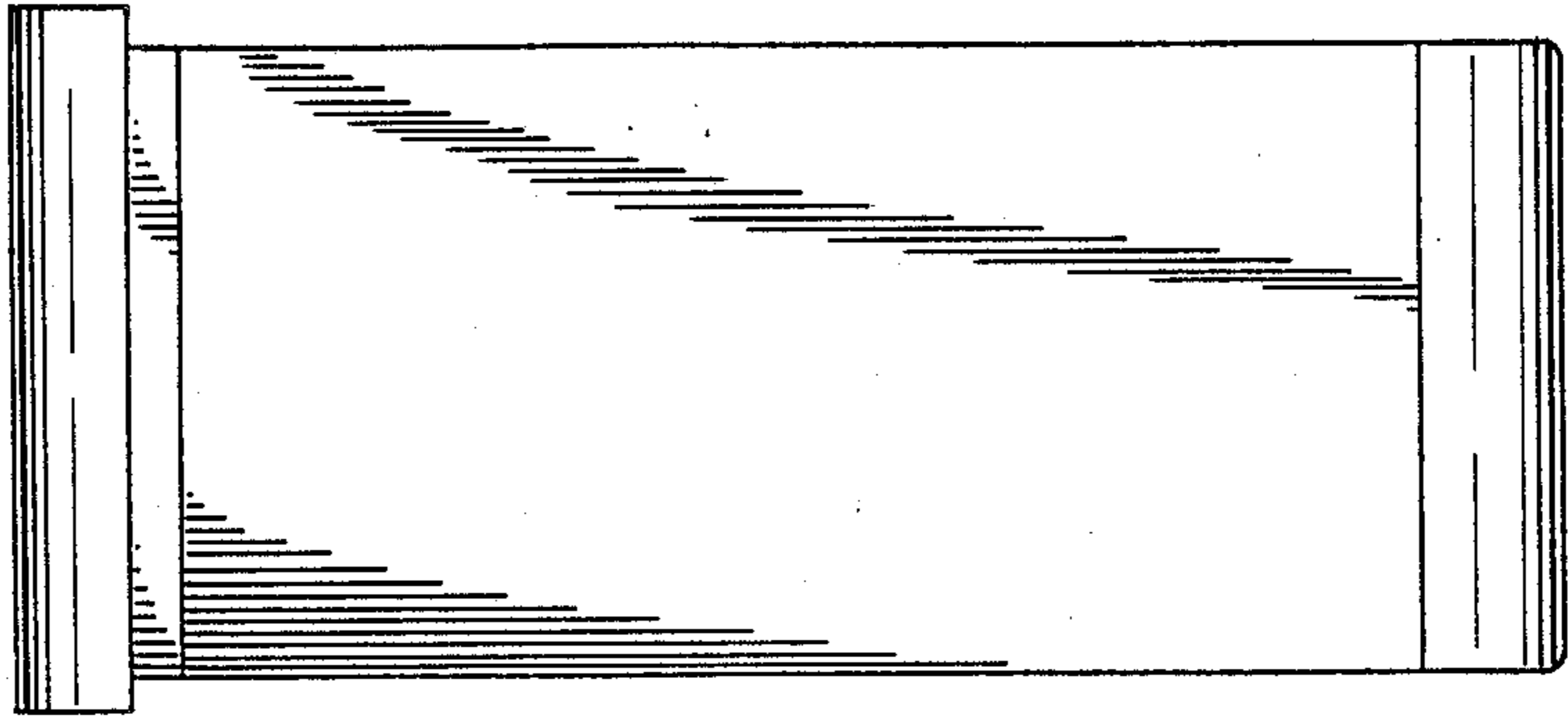


FIG. 3

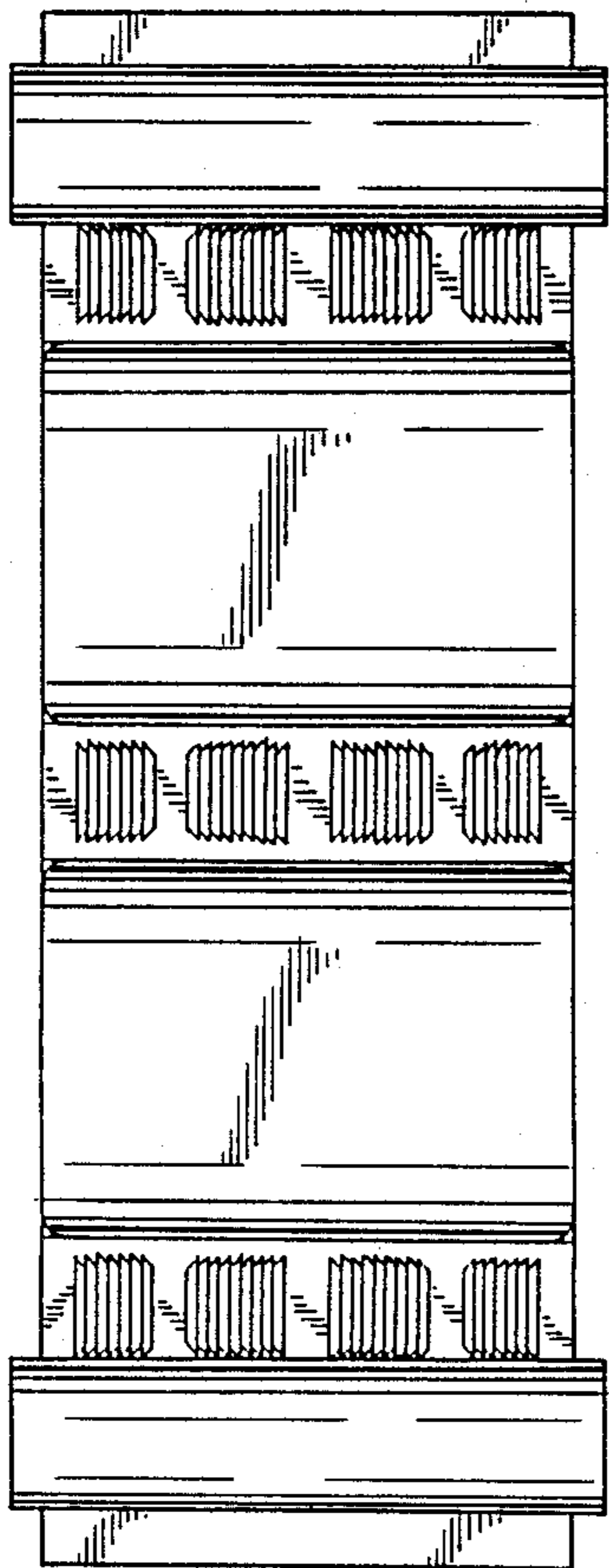


FIG. 4

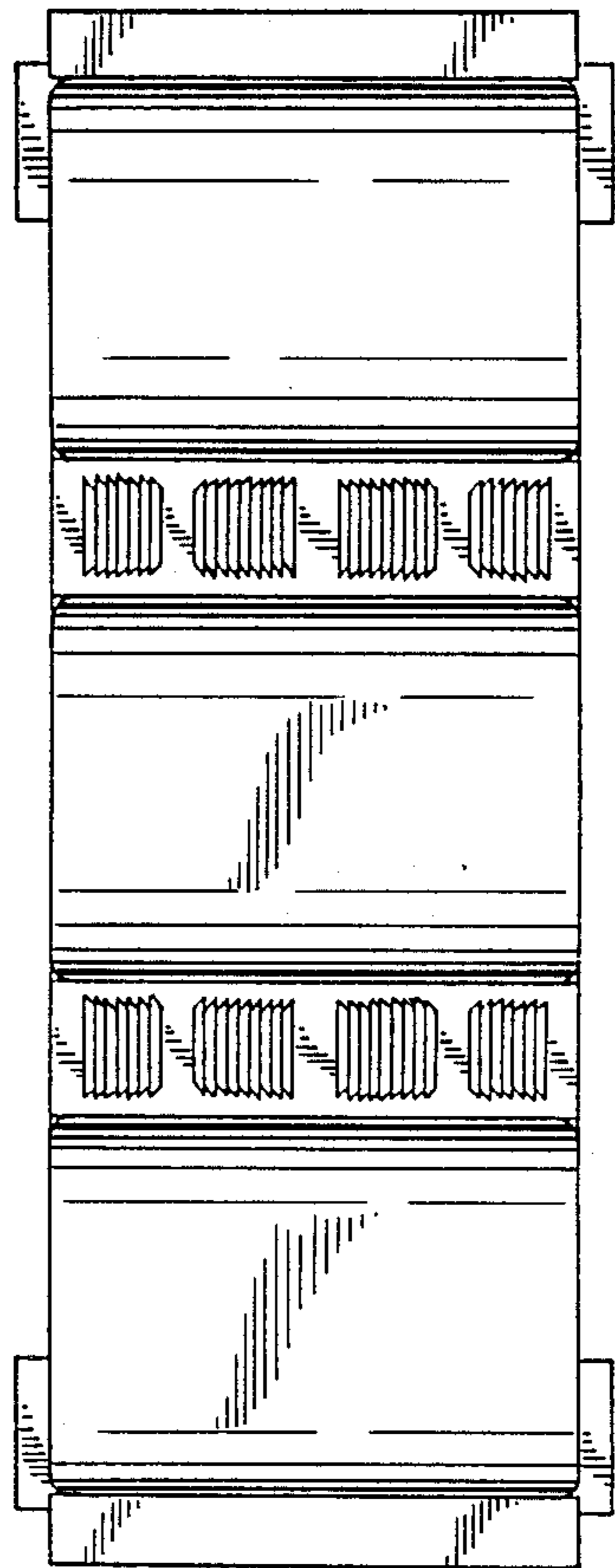




FIG. 6

