

[54] **PORTABLE AIR FILTER**

[75] **Inventors:** Wyman H. Stackhouse, Manhattan Beach; Ian M. Williamson, Redondo Beach, both of Calif.

[73] **Assignee:** Stackhouse Associates, El Segundo, Calif.

[**] **Term:** 14 Years

[21] **Appl. No.:** 187,075

[22] **Filed:** Apr. 27, 1988

[52] **U.S. Cl.** D23/365

[58] **Field of Search** D23/365, 364; 55/472, 55/274

[56] **References Cited**

U.S. PATENT DOCUMENTS

D. 271,338	11/1983	Dukowski	D23/364
D. 295,216	4/1988	Morris et al.	D23/364
4,786,295	11/1988	Newman et al.	55/274
4,838,910	6/1989	Stollenwerk et al.	55/472

OTHER PUBLICATIONS

Industrial Design, 2/1955, p. 96, Raytheon "Micronaire" Room Air Cleaner.

Primary Examiner—James M. Gandy
Assistant Examiner—Lisa Lichtenstein
Attorney, Agent, or Firm—Singer & Singer

[57] **CLAIM**

The ornamental design for a portable air filter, as shown.

DESCRIPTION

FIG. 1 is a perspective view of a portable air filter illustrating our new design;

FIG. 2 is a front elevational view thereof, on a reduced scale;

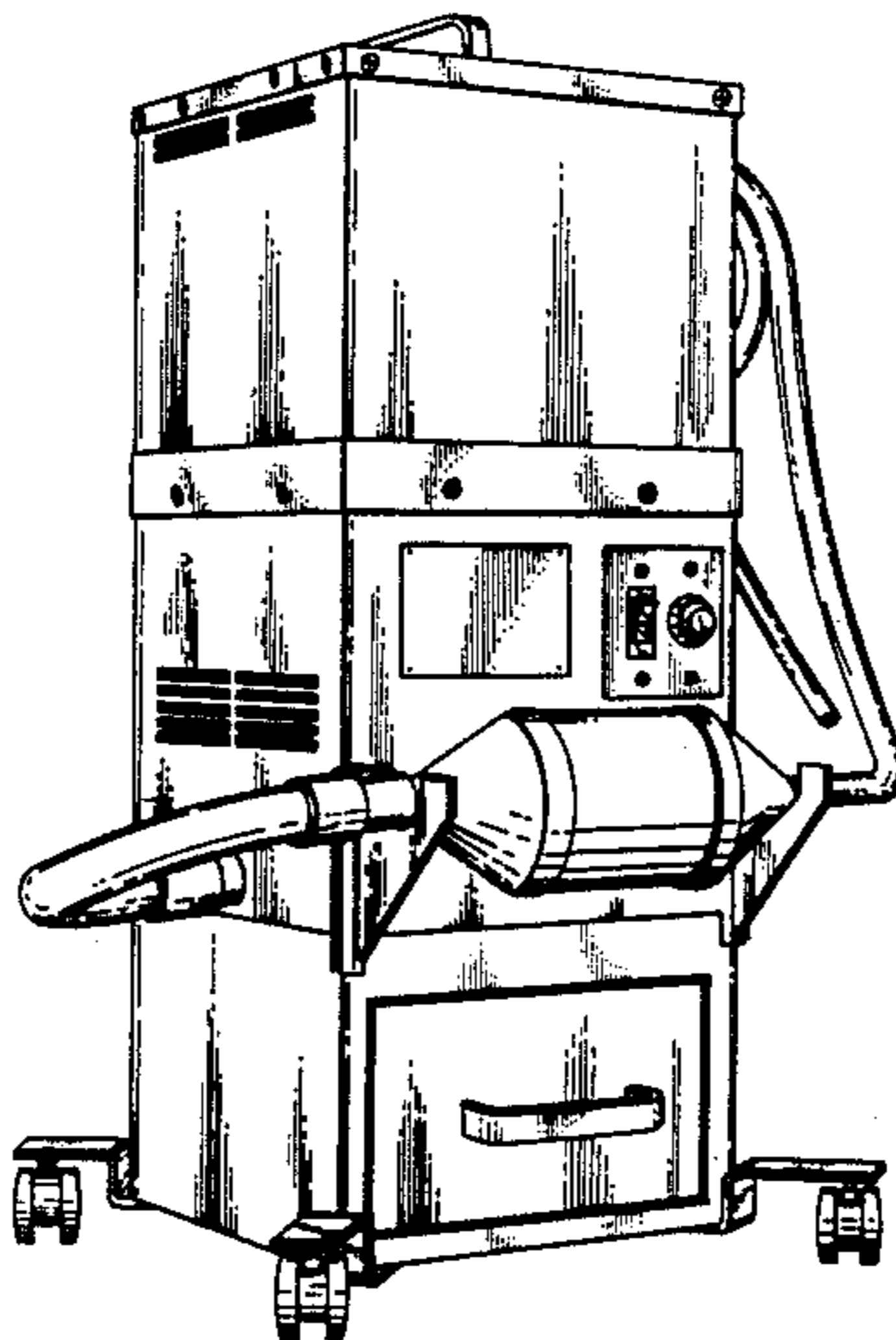
FIG. 3 is a rear elevational view thereof, on a reduced scale;

FIG. 4 is a top plan view thereof, on a reduced scale;

FIG. 5 is a right side elevational view thereof, on a reduced scale;

FIG. 6 is a left side elevational view thereof, on a reduced scale; and

FIG. 7 is a bottom plan view thereof, on a reduced scale.



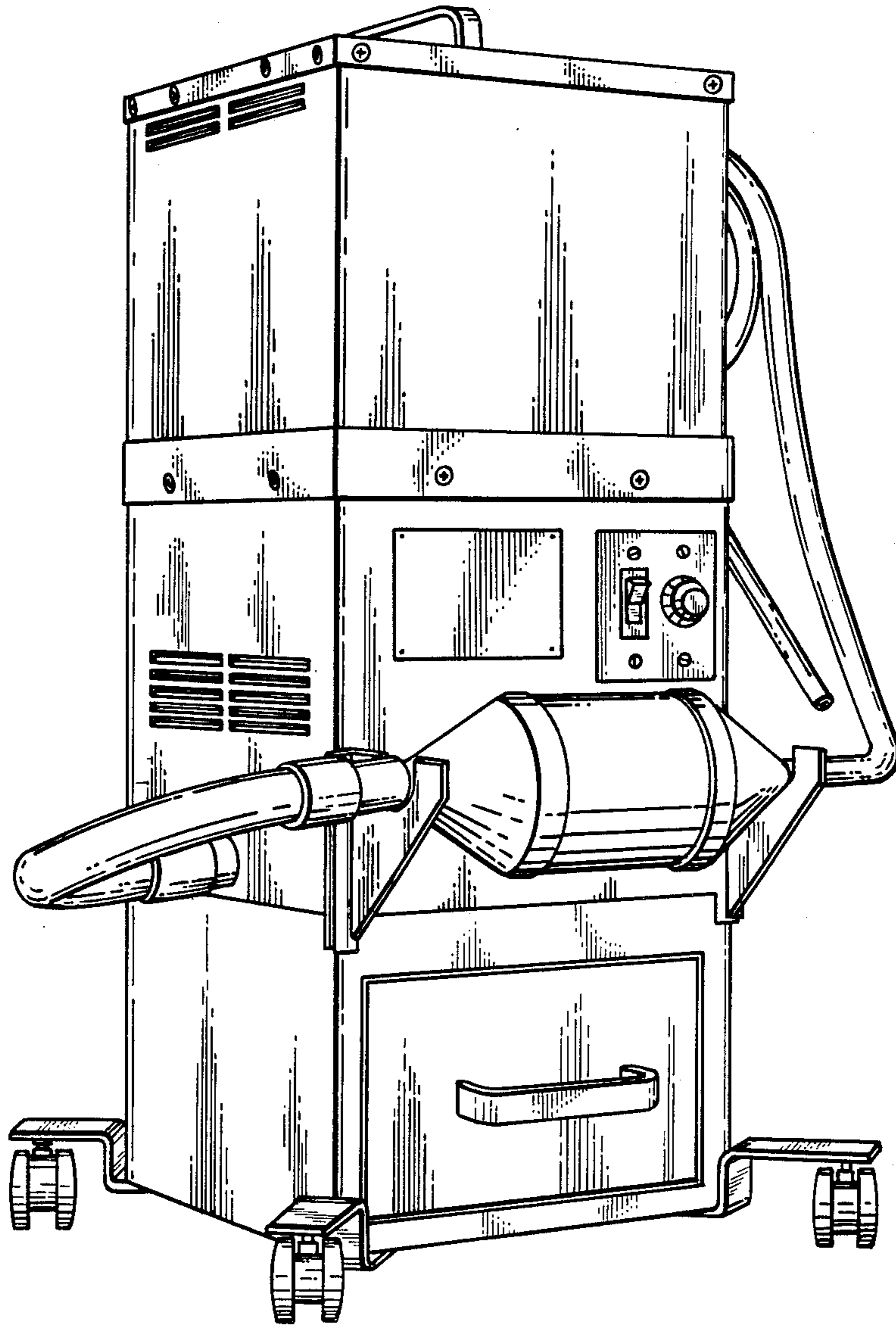


Fig. 1.

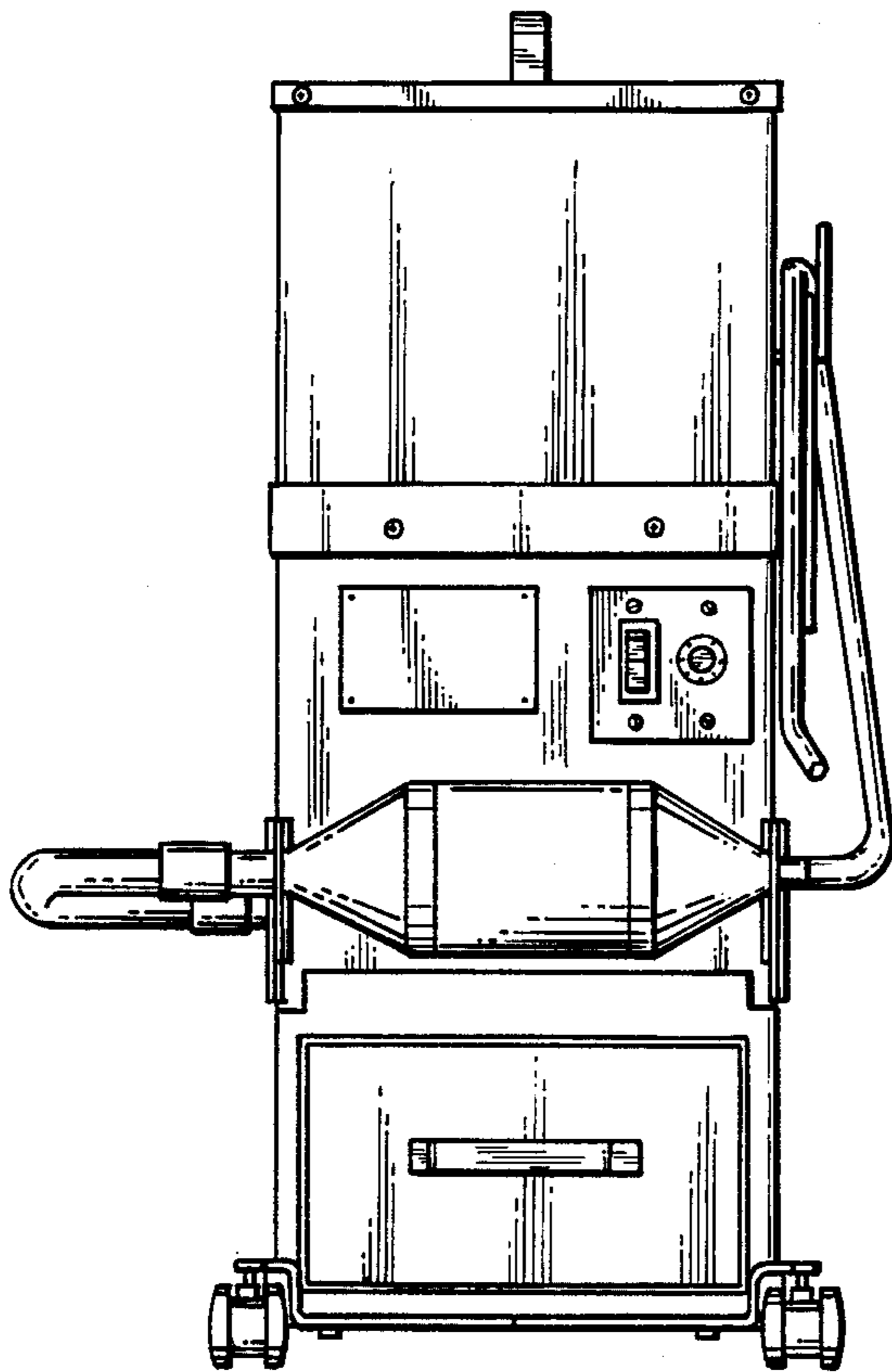


Fig. 2.

Fig. 3.

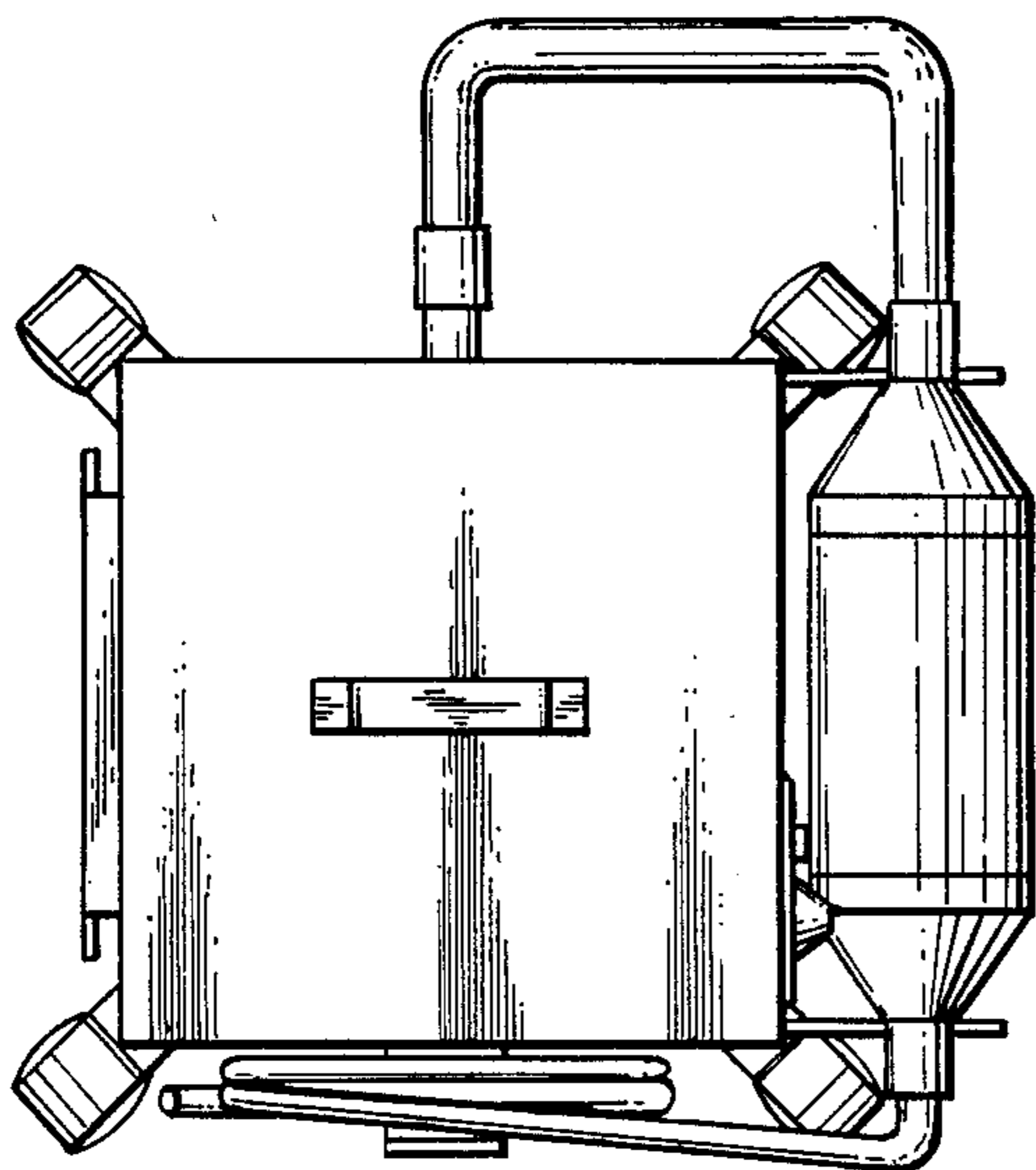
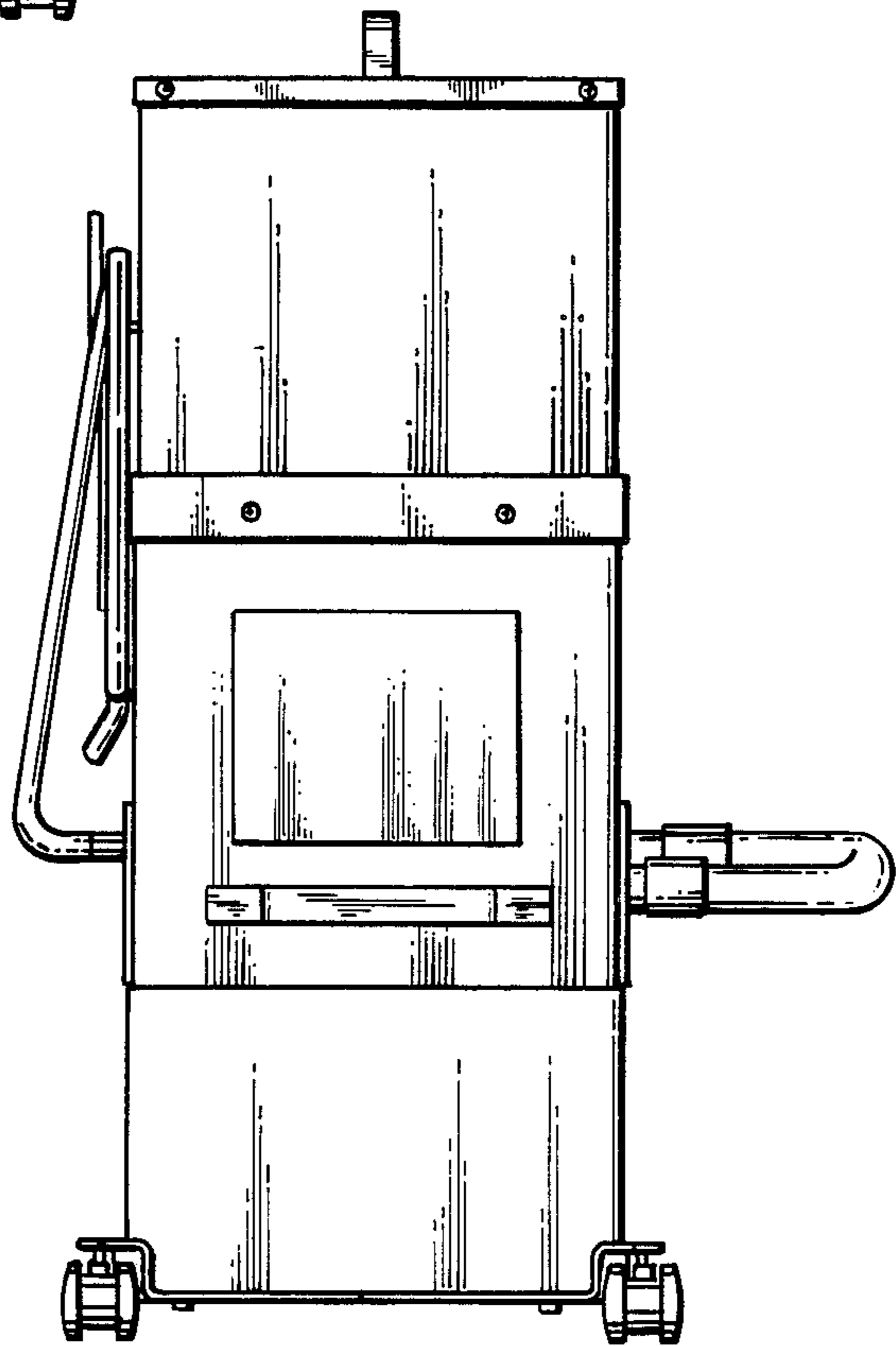


Fig. 4.



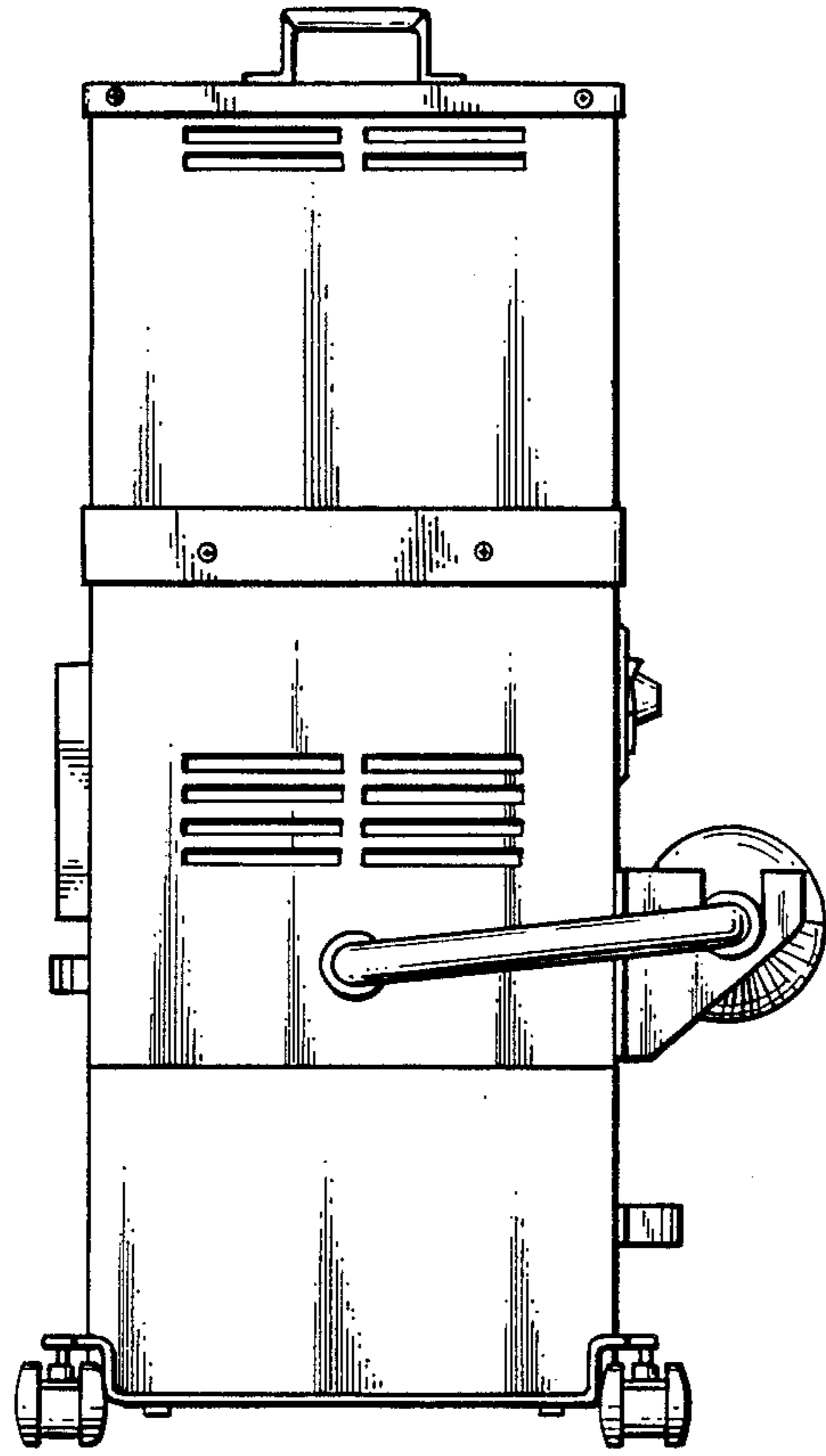


Fig. 6.

Fig. 5.

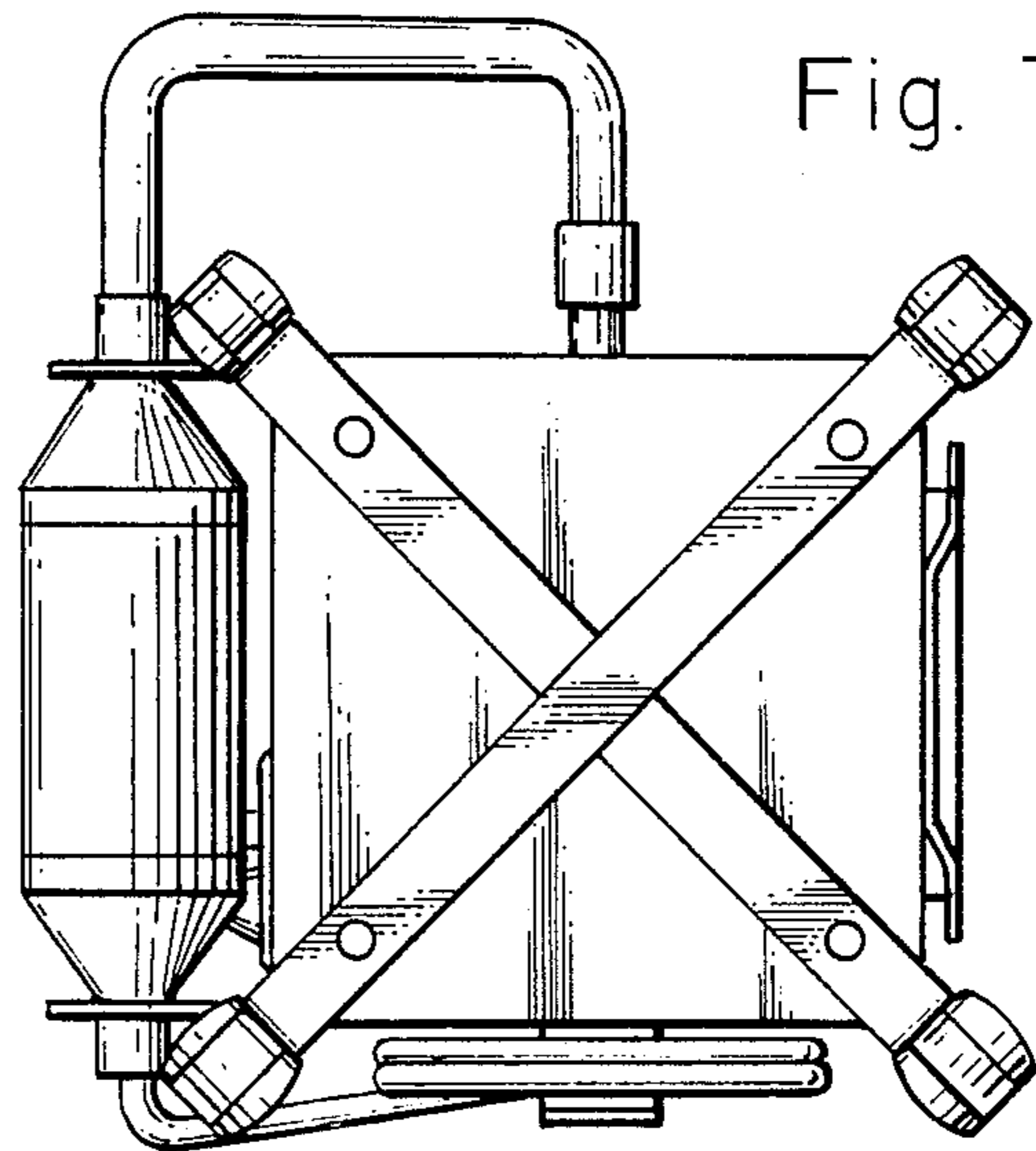
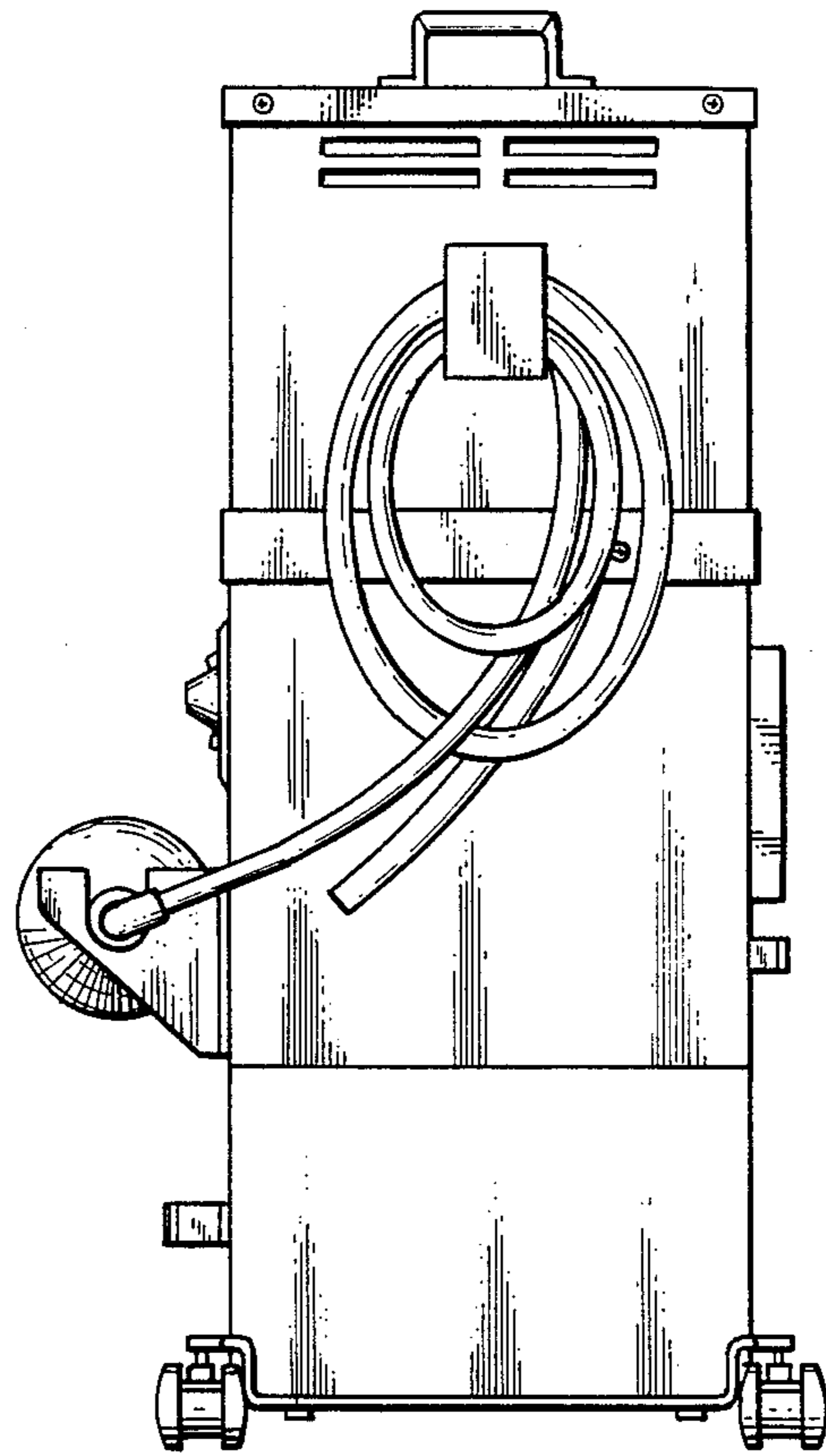


Fig. 7.