

United States Patent [19]

Allison et al.

[11] Patent Number: **Des. 304,851**

[45] Date of Patent: **** Nov. 28, 1989**

[54] **BALL RETRIEVER HEAD ASSEMBLY**
[75] Inventors: **Donald J. Allison, Manchester;**
Rodney J. Spielman, Vernon, both of
Conn.

[73] Assignee: **Golftech Inc., Ellington, Conn.**

[**] Term: **14 Years**

[21] Appl. No.: **896,876**

[22] Filed: **Aug. 15, 1986**

[52] U.S. Cl. **D21/234**

[58] Field of Search **D21/206, 223, 234;**
D3/100; 224/202, 203, 222, 919; 234/19.1,
68.25; 294/19.2

[56] **References Cited**

U.S. PATENT DOCUMENTS

771,886 10/1904 Smith 294/19.2
2,365,540 12/1944 Fonken .
2,812,871 11/1957 Woodall .
3,136,573 6/1964 Harke .
3,215,293 11/1965 Kelly et al. .
3,227,298 1/1966 Shoemaker .
3,306,480 2/1967 Wysong .
3,437,368 4/1969 Anderson .
3,604,190 2/1970 Wray .
3,784,037 1/1974 Woodall .

3,804,449 4/1974 Falitz D21/206
4,066,179 1/1978 Livingston .
4,318,654 3/1982 Lee .
4,645,254 2/1987 Warden 294/19.2

FOREIGN PATENT DOCUMENTS

3628 of 1902 United Kingdom 294/19.2

OTHER PUBLICATIONS

Catalogue Page marked "A".

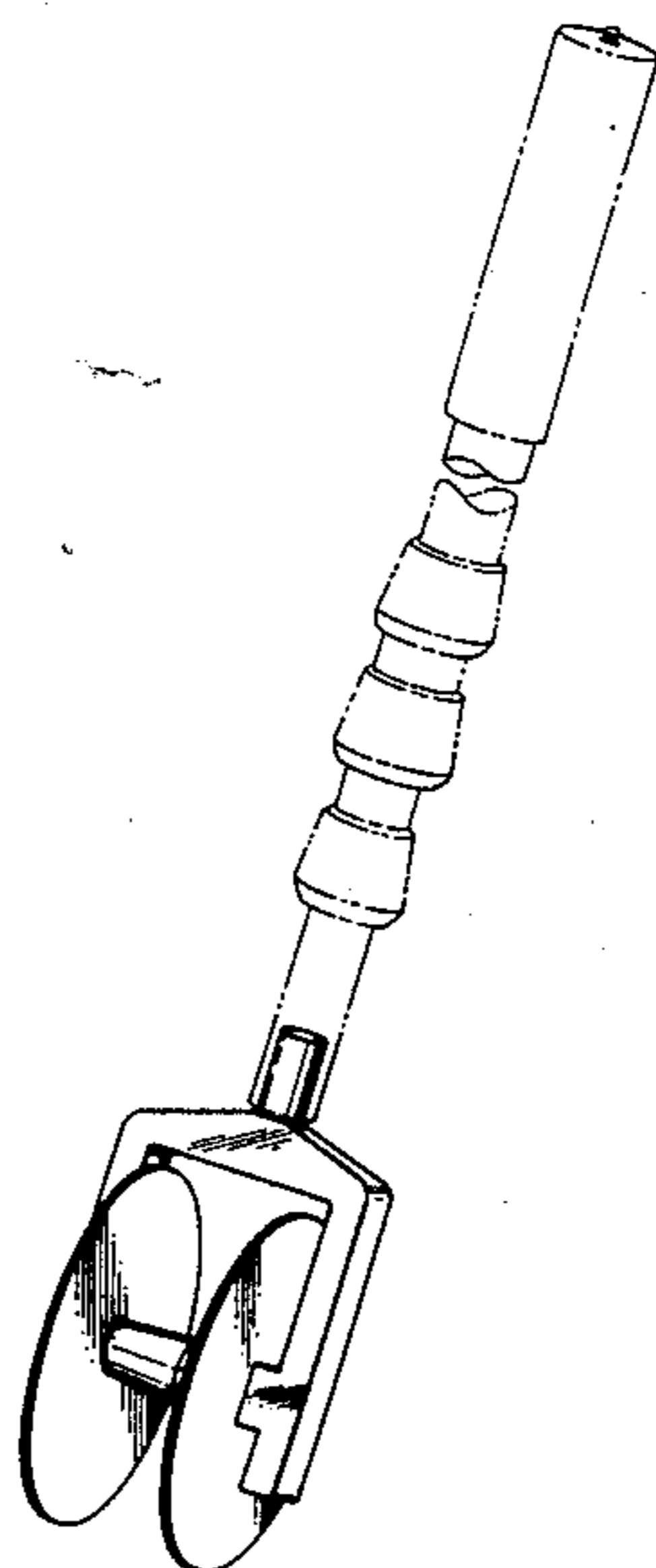
Primary Examiner—Melvin B. Feifer
Assistant Examiner—William J. Krawczewicz
Attorney, Agent, or Firm—Ira S. Dorman

[57] **CLAIM**

The ornamental design for a ball retriever head assembly, as shown and described.

DESCRIPTION

FIG. 1 is a perspective view of a ball retriever head assembly embodying our new design, with a handle used therewith shown in phantom line for illustrative purposes only;
FIG. 2 is a side elevational view thereof;
FIG. 3 is a front (or rear) elevational view thereof;
FIG. 4 is a bottom view thereof; and
FIG. 5 is a top view thereof.



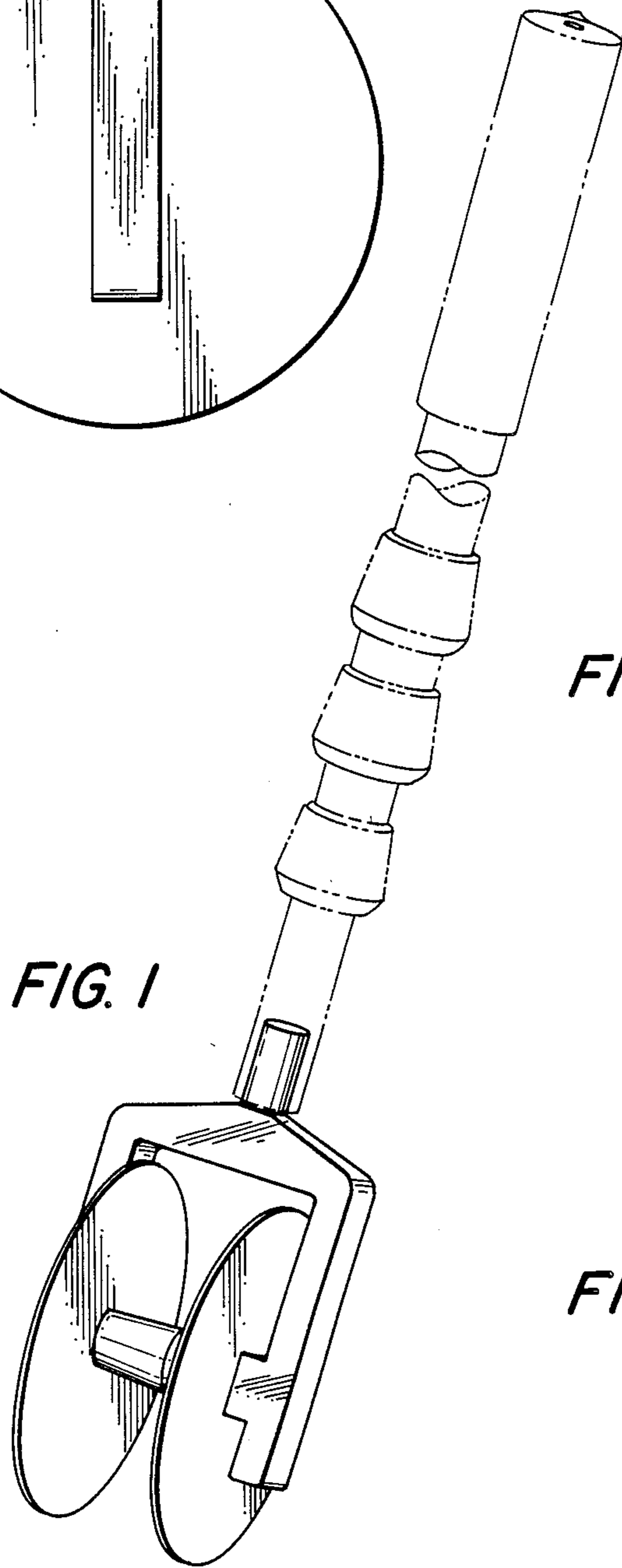
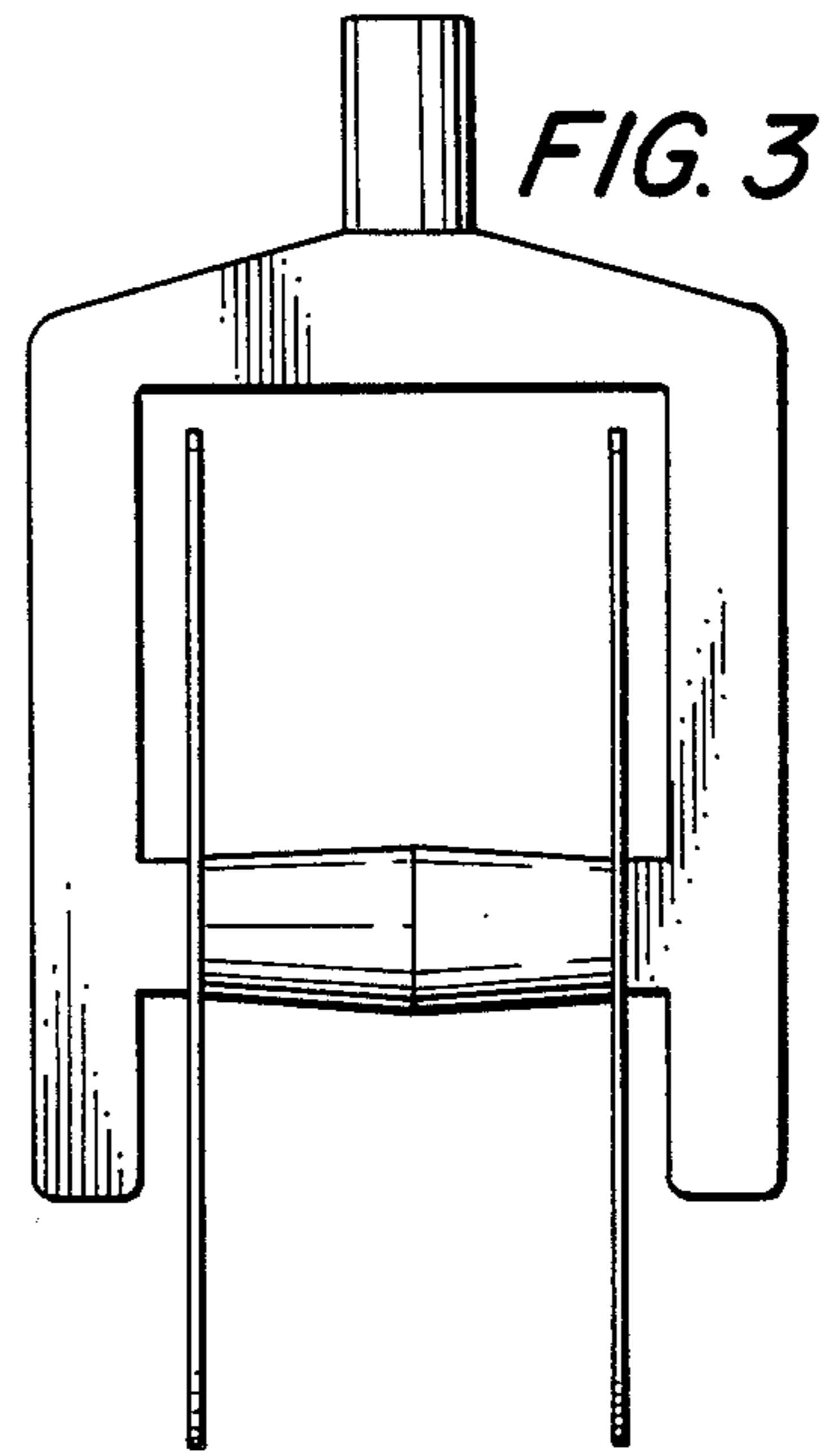
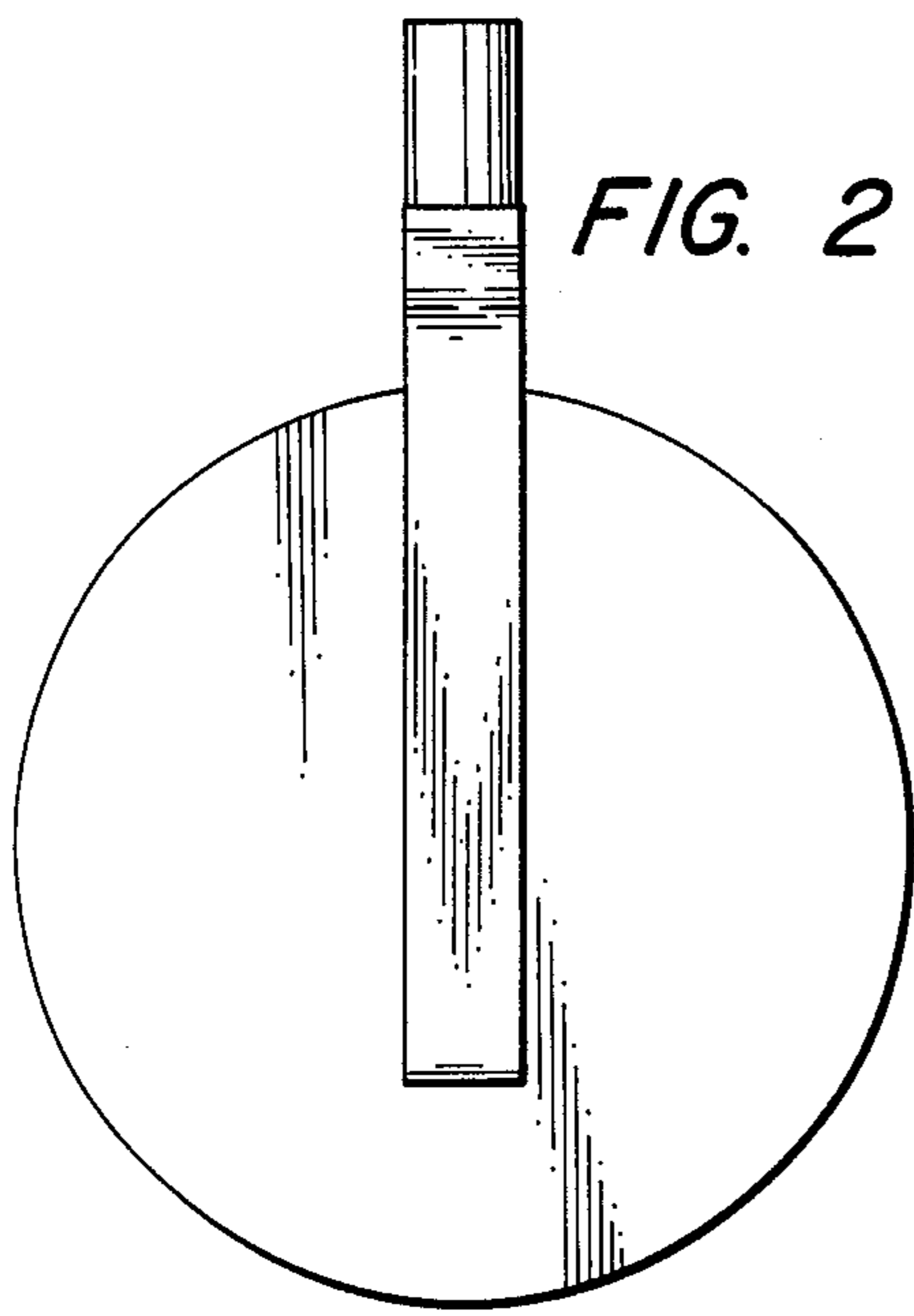


FIG. 4

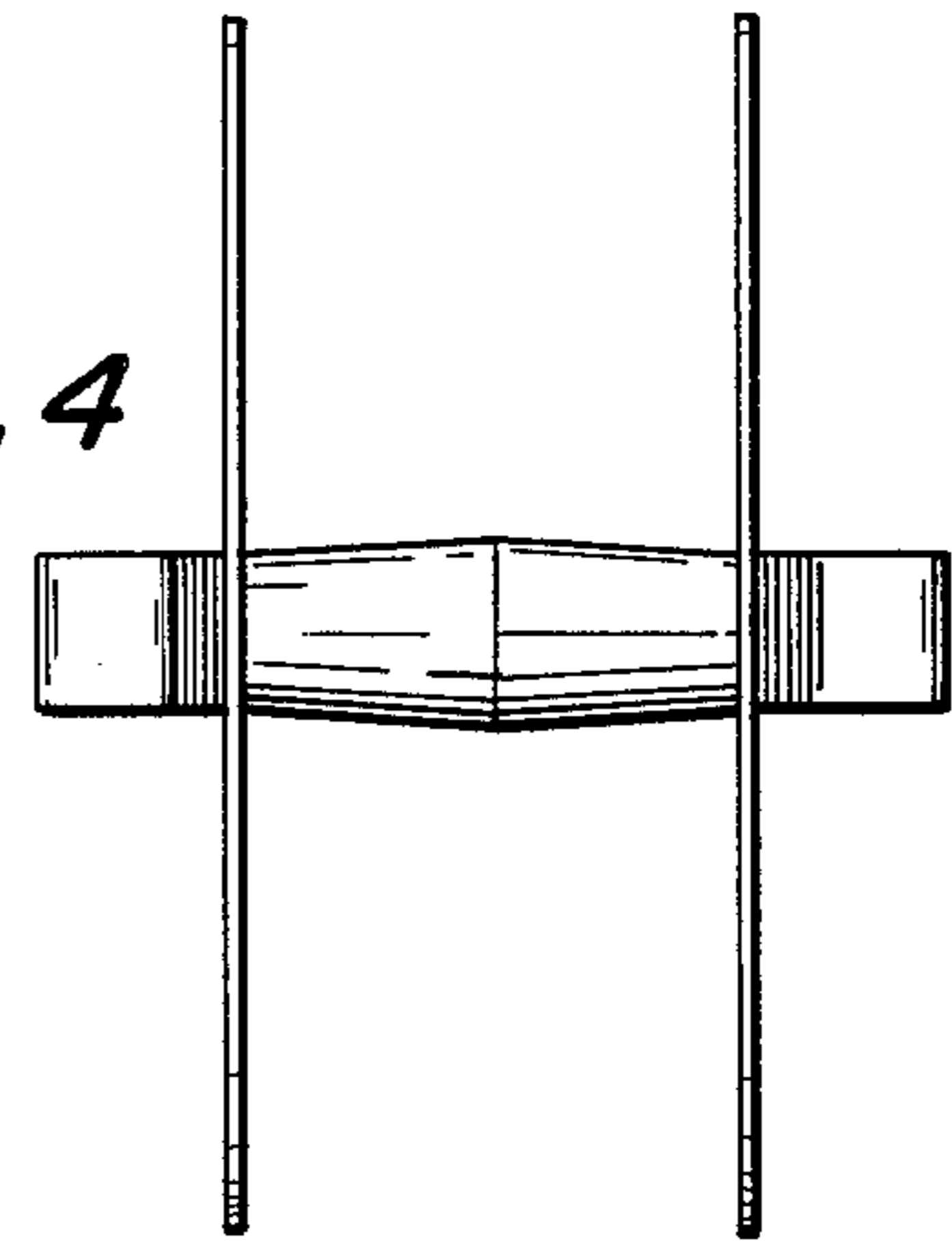


FIG. 5

