

[54] **TOY RIDING AIRPLANE**

[76] **Inventor: Daniel G. Hahn, 1040 E. North Ave., Olney, Ill. 62450**

[\*\*] **Term: 14 Years**

[21] **Appl. No.: 941,935**

[22] **Filed: Dec. 15, 1986**

[52] **U.S. Cl. .... D21/77**

[58] **Field of Search ..... D21/71, 73, 74, 76, D21/77, 78, 80; 280/1.12, 1.13, 1.21, 1.22, 87.01, 87.05**

[56] **References Cited**

**U.S. PATENT DOCUMENTS**

- D. 55,328 5/1920 Roberts ..... D21/80
- D. 135,424 4/1943 Judd ..... D21/80
- D. 140,435 2/1945 Smith ..... 280/1.21

- D. 220,277 3/1971 Sharer ..... D21/77
- 1,320,914 11/1919 Pratt et al. .... 280/1.21

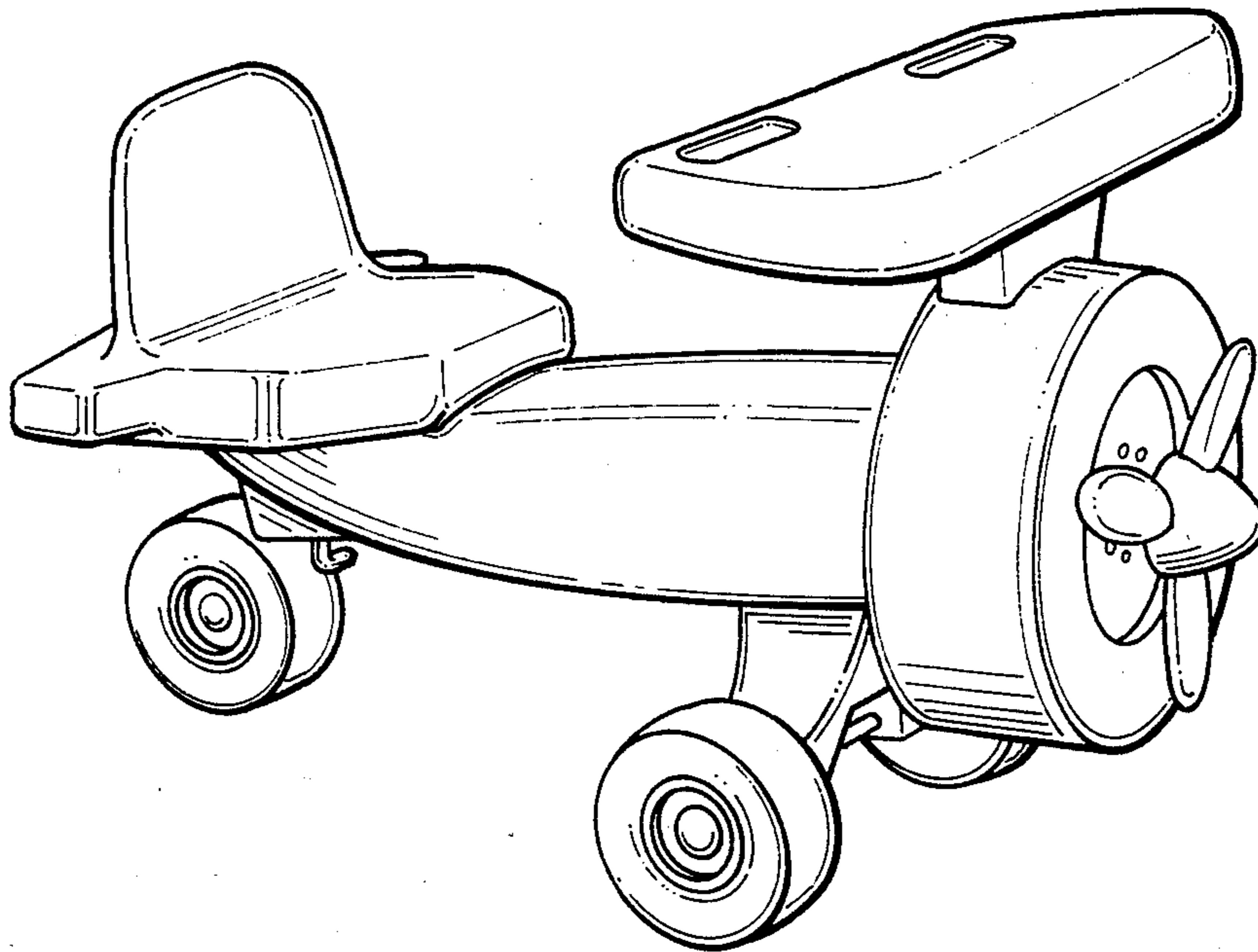
*Primary Examiner*—Charles A. Rademaker  
*Assistant Examiner*—Alicia A. Farrell

[57] **CLAIM**

The ornamental design for a toy riding airplane, as shown and described.

**DESCRIPTION**

FIG. 1 is a perspective view of a toy riding airplane showing my new design;  
 FIG. 2 is a right side elevational view thereof on a reduced scale, the left side being substantially a mirror image;  
 FIG. 3 is a front elevational view thereof on a reduced scale;  
 FIG. 4 is a top plan view thereof on a reduced scale;  
 FIG. 5 is a bottom plan view thereof on a reduced scale.



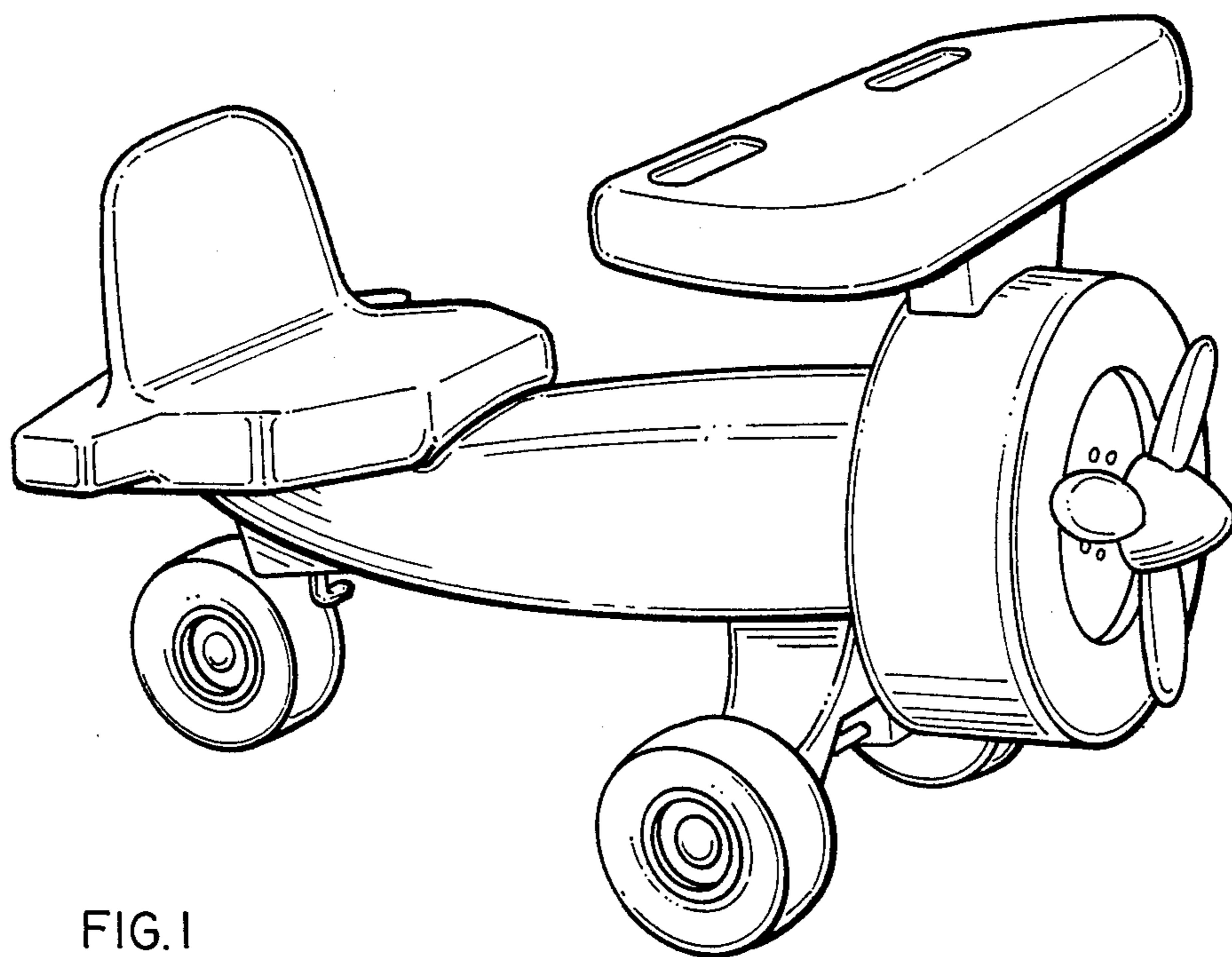


FIG. 1

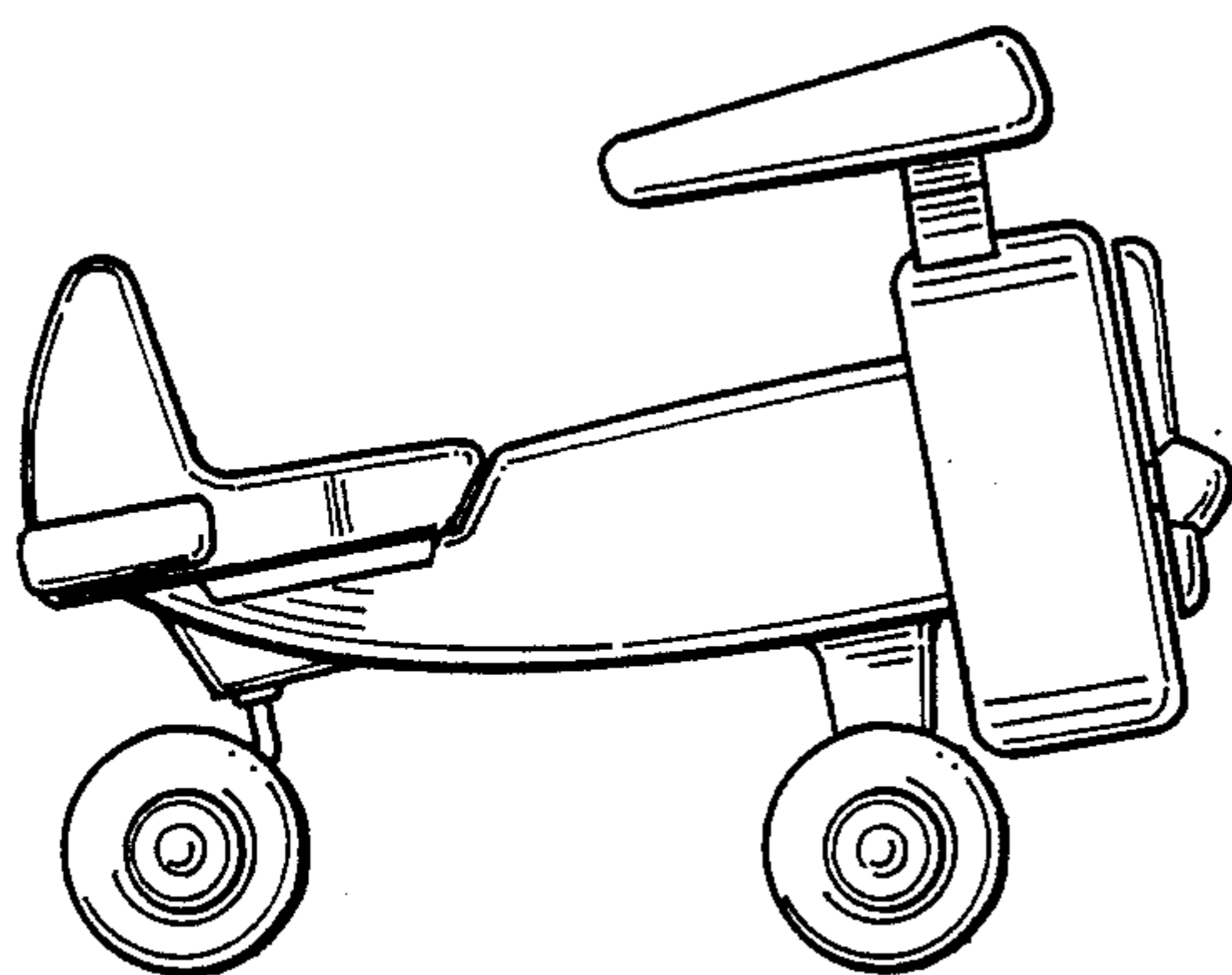


FIG. 2

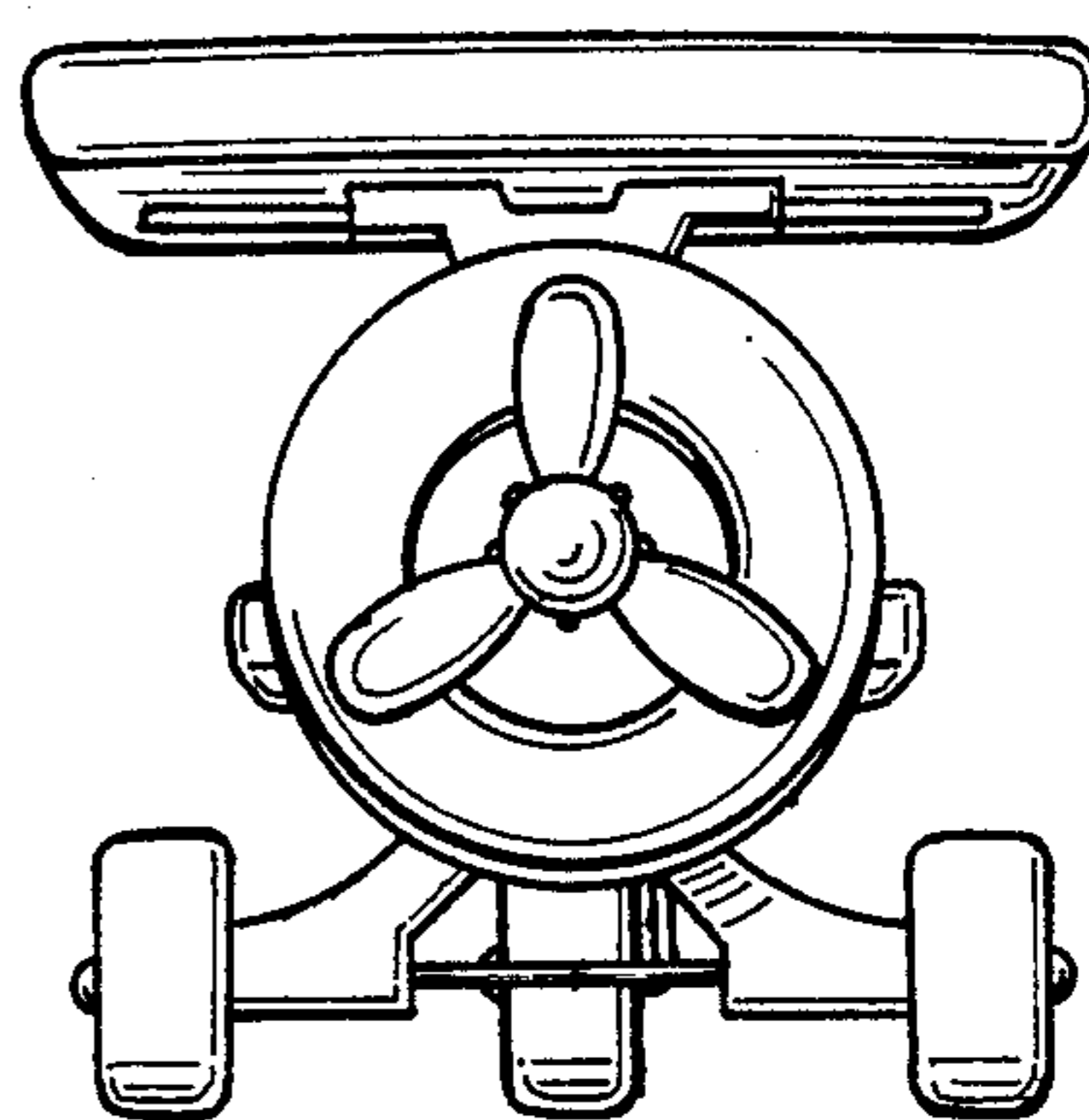


FIG. 3

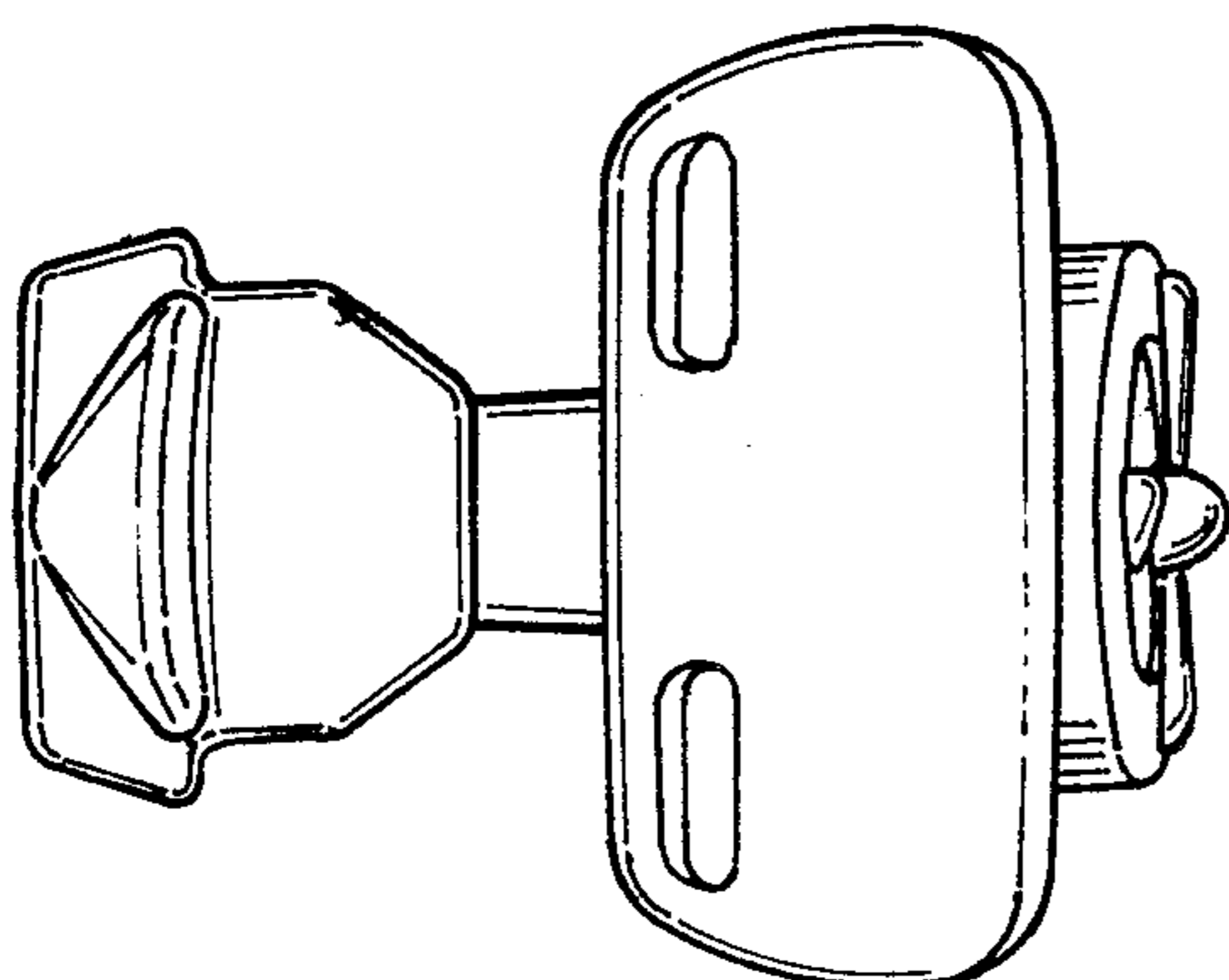


FIG. 4

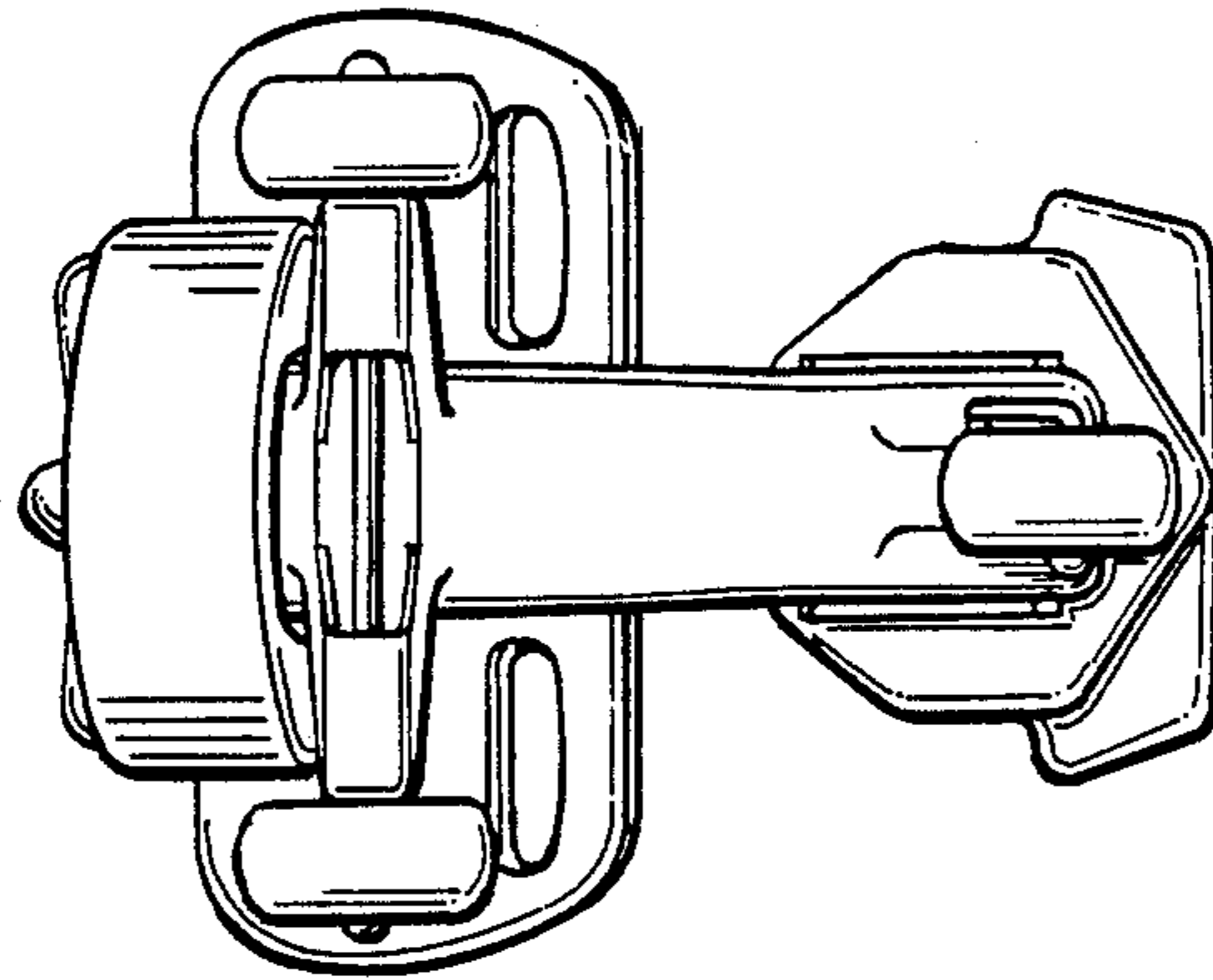


FIG. 5