

[54] CONNECTABLE TOPPLING TOY

[76] Inventor: Philip R. Inglee, 13375 Braun Rd., Golden, Colo. 80401

[**] Term: 14 Years

[21] Appl. No.: 882,835

[22] Filed: Jul. 7, 1986

[52] U.S. Cl. D21/59

[58] Field of Search D21/59, 108; 273/86 R, 273/1 R; 446/2; 40/491

[56] References Cited

U.S. PATENT DOCUMENTS

D. 223,676	5/1972	Meth et al.	D21/59
2,039,097	8/1935	Malm	D21/108
3,094,792	3/1962	Morgan et al.	D21/108
3,980,298	9/1976	Breslow	273/1 R

Primary Examiner—B. J. Bullock
Assistant Examiner—Dominic Simone

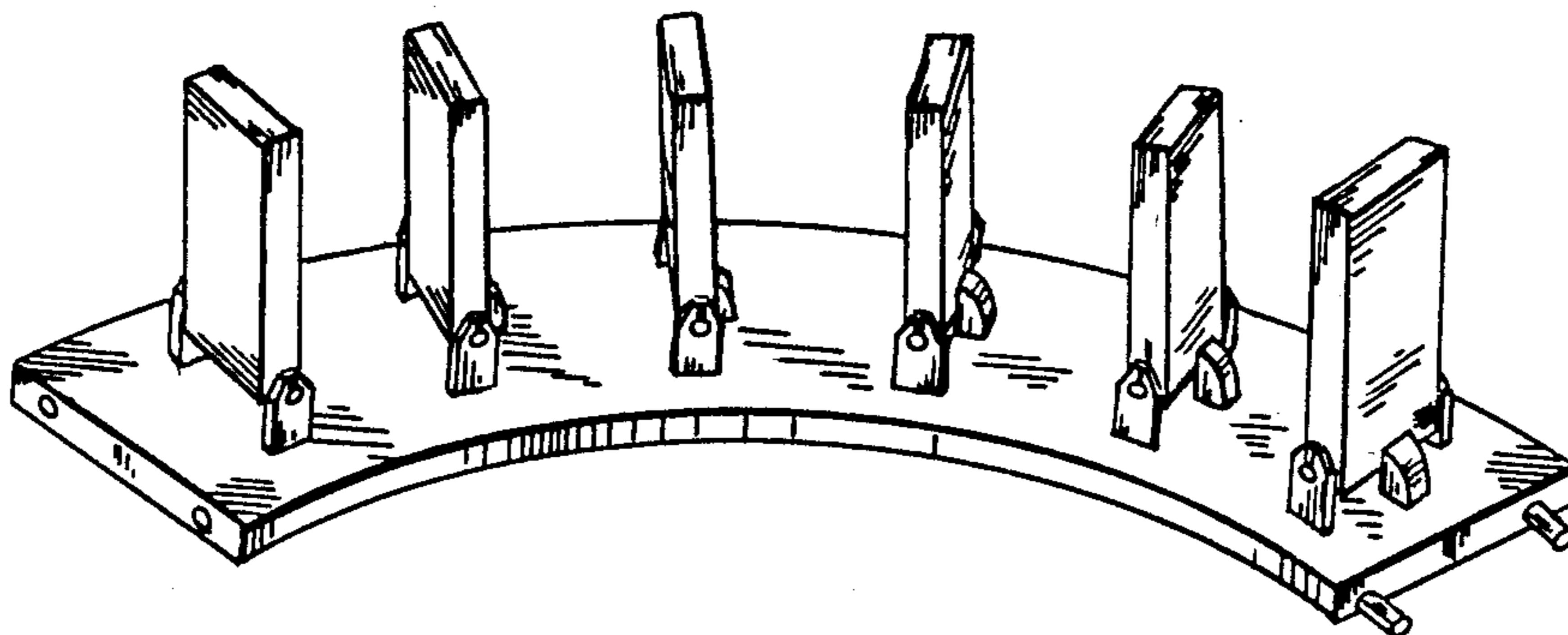
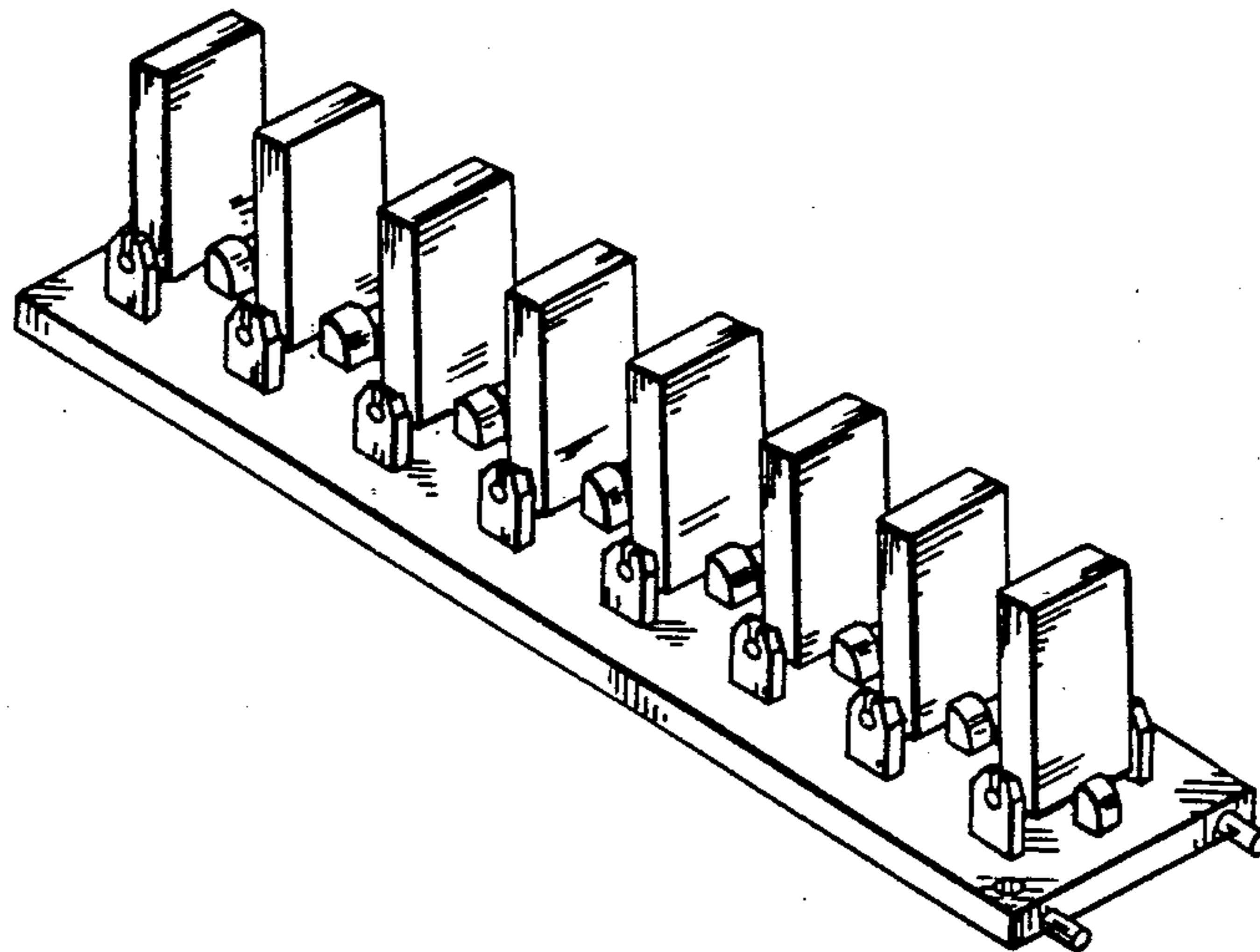
Attorney, Agent, or Firm—Fields, Lewis, Pittenger & Rost

[57] CLAIM

The ornamental design for a connectable toppling toy, as shown and described.

DESCRIPTION

FIG. 1 is a front perspective view of a connectable toppling toy showing my new design;
 FIG. 2 is a front elevational view thereof;
 FIG. 3 is a rear elevational view thereof;
 FIG. 4 is a top plan view thereof;
 FIG. 5 is a left side elevational view thereof, the opposite side being identical;
 FIG. 6 is a bottom plan view thereof;
 FIG. 7 is a left side perspective view of a second embodiment of the design of FIG. 1;
 FIG. 8 is a front elevational view of FIG. 7;
 FIG. 9 is a rear elevational view of FIG. 7;
 FIG. 10 is a top plan view of FIG. 7;
 FIG. 11 is a bottom plan view of FIG. 7.



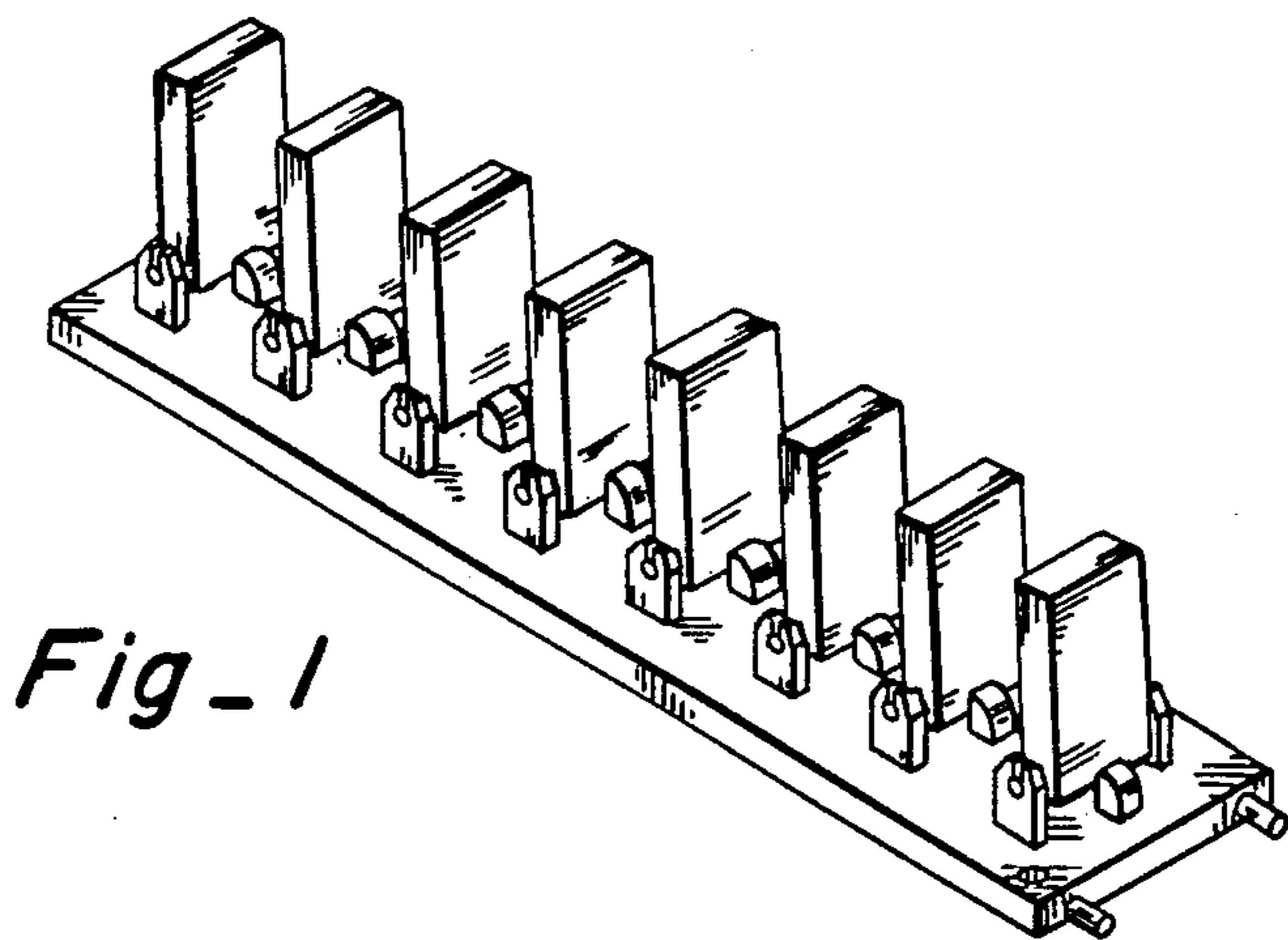


Fig-1

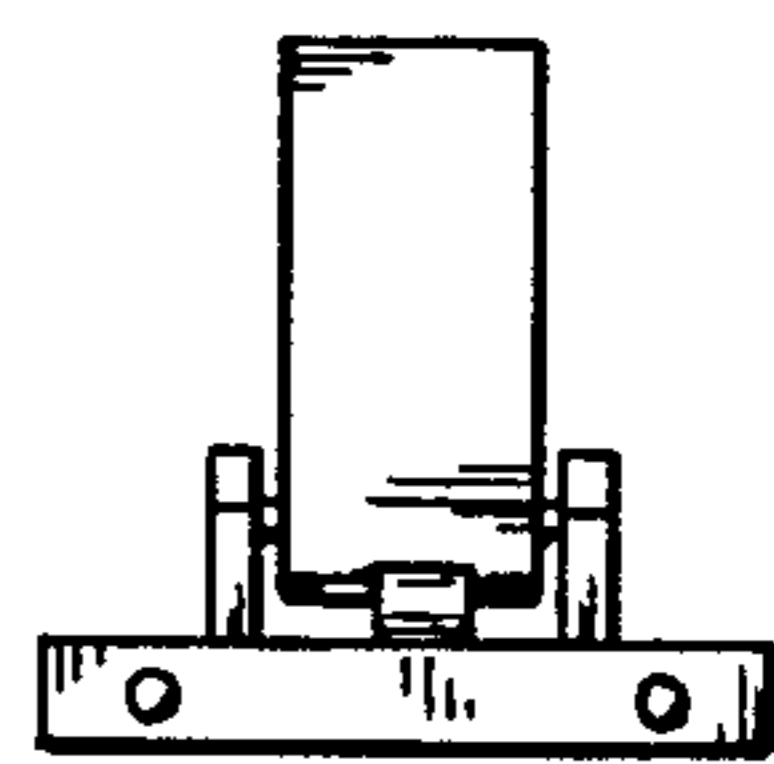


Fig-2

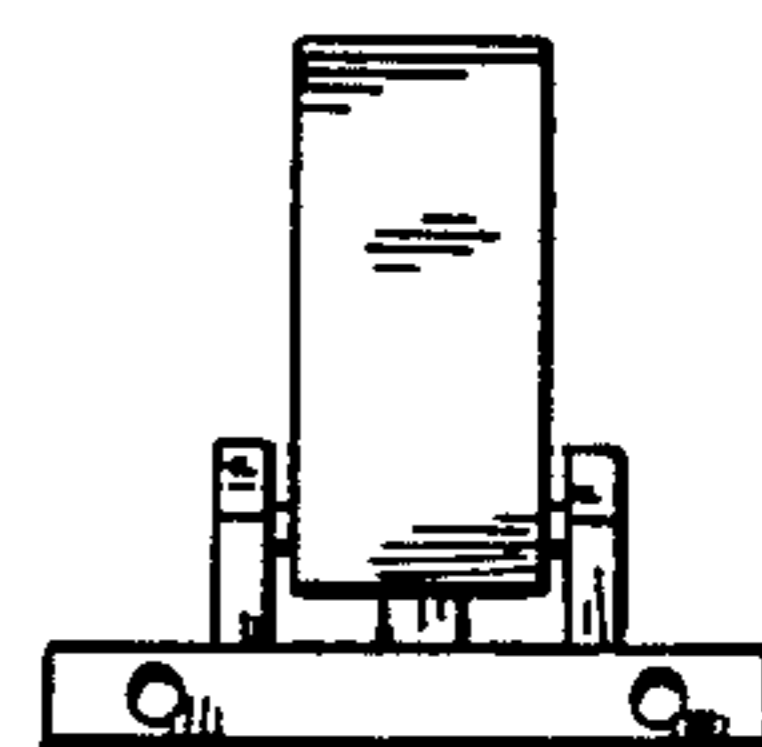


Fig-3

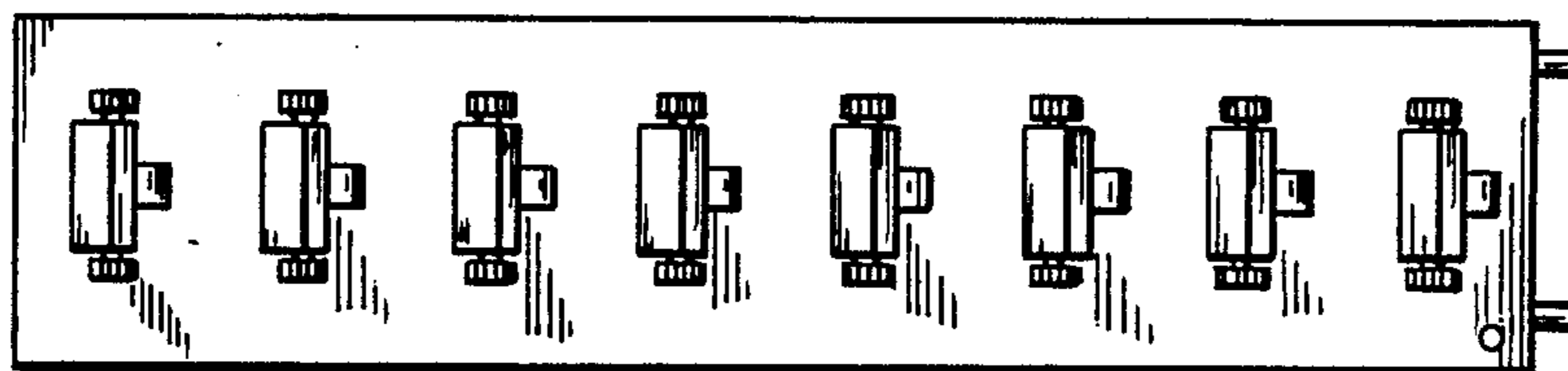


Fig-4

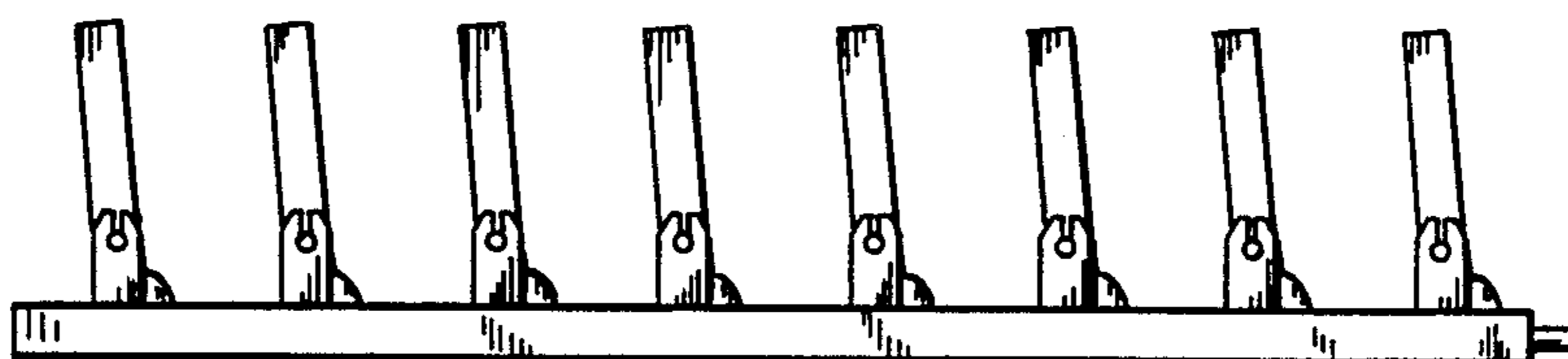


Fig-5

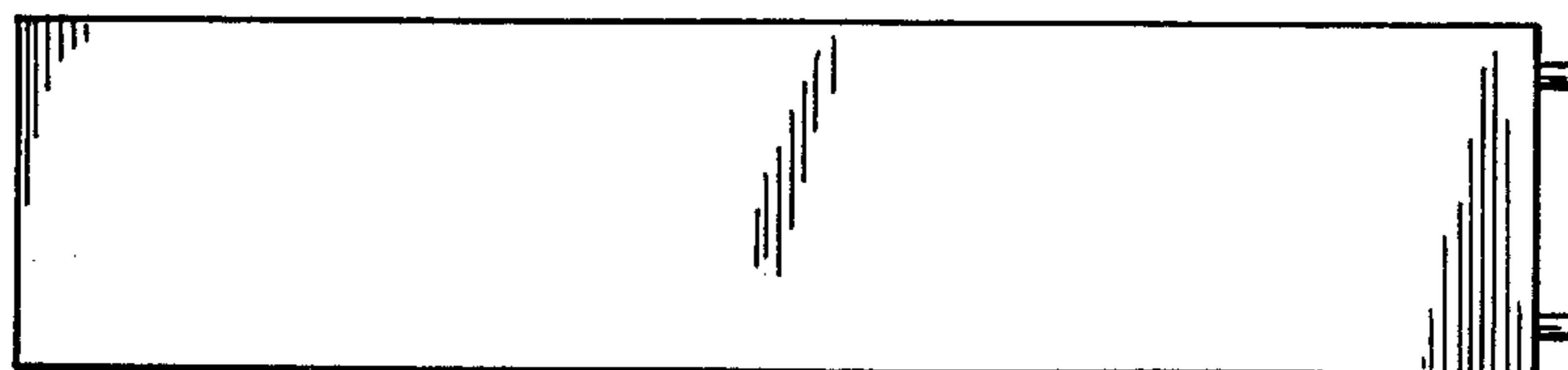


Fig-6

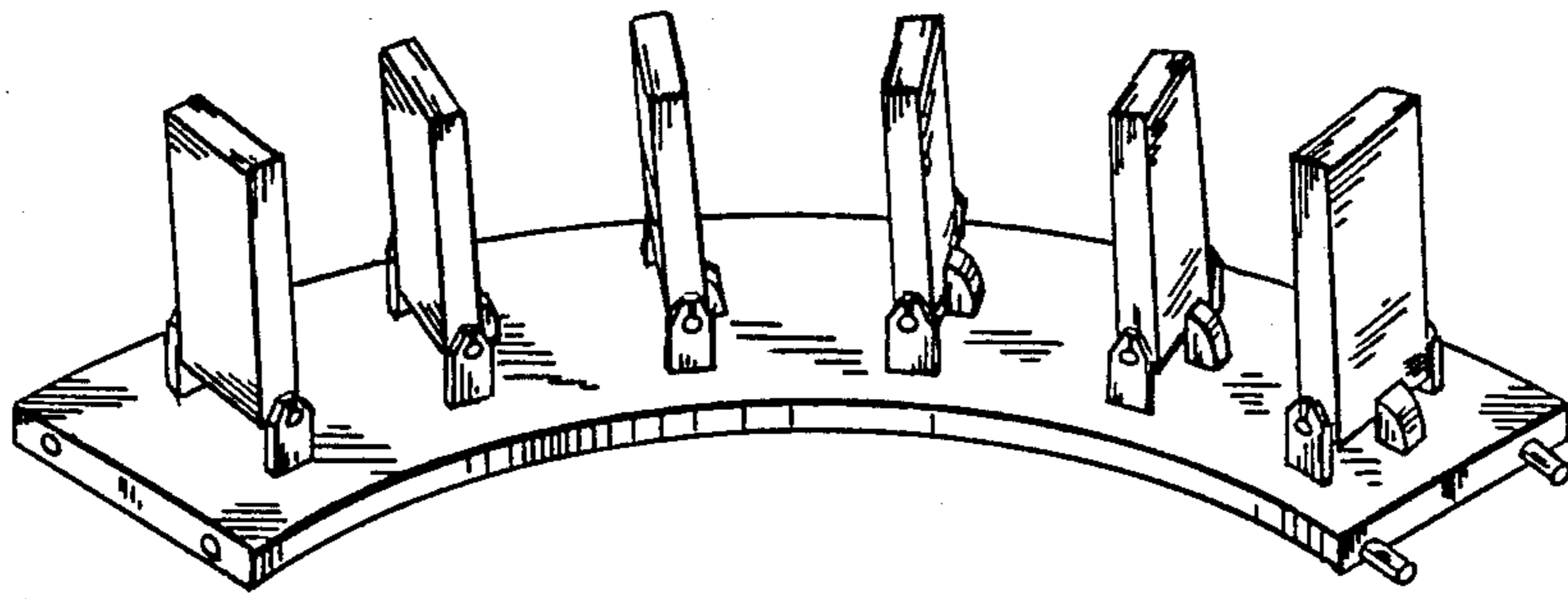


Fig-7

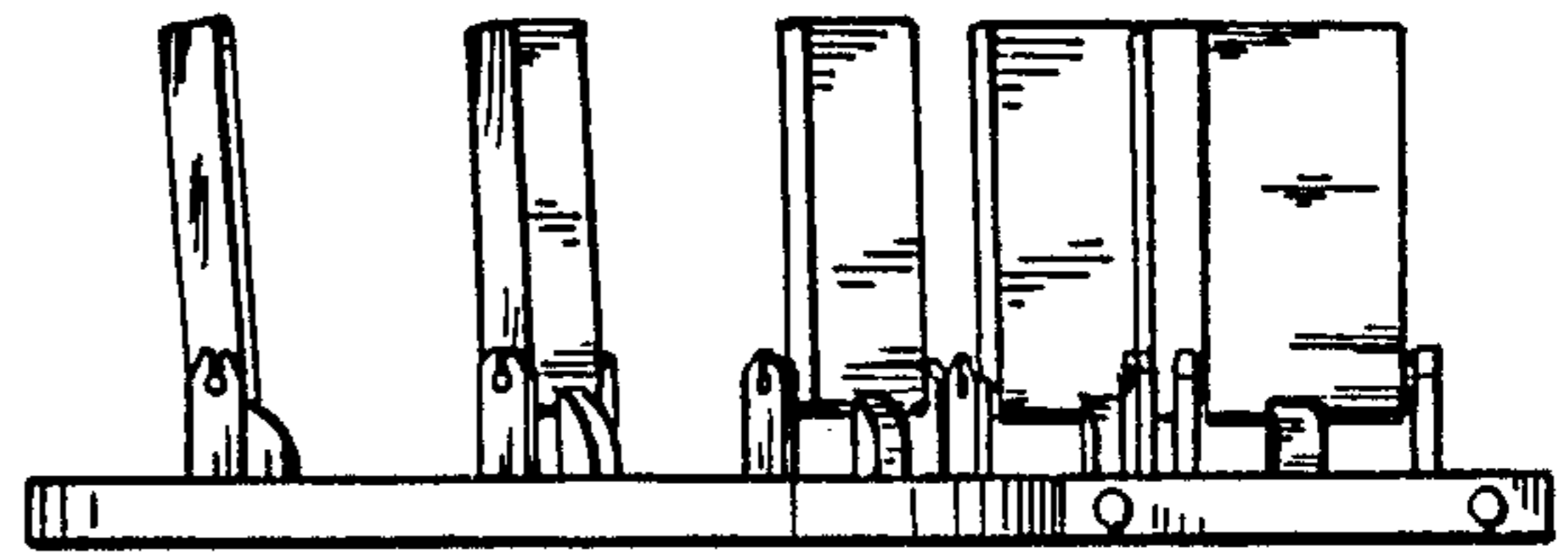


Fig-8

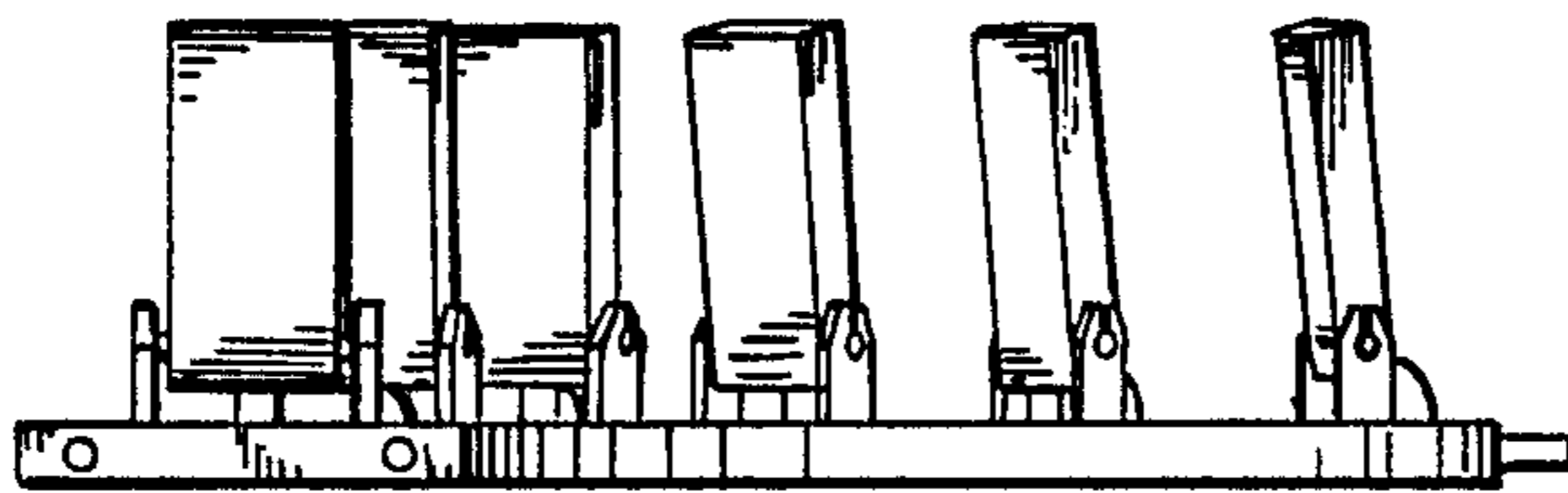


Fig-9

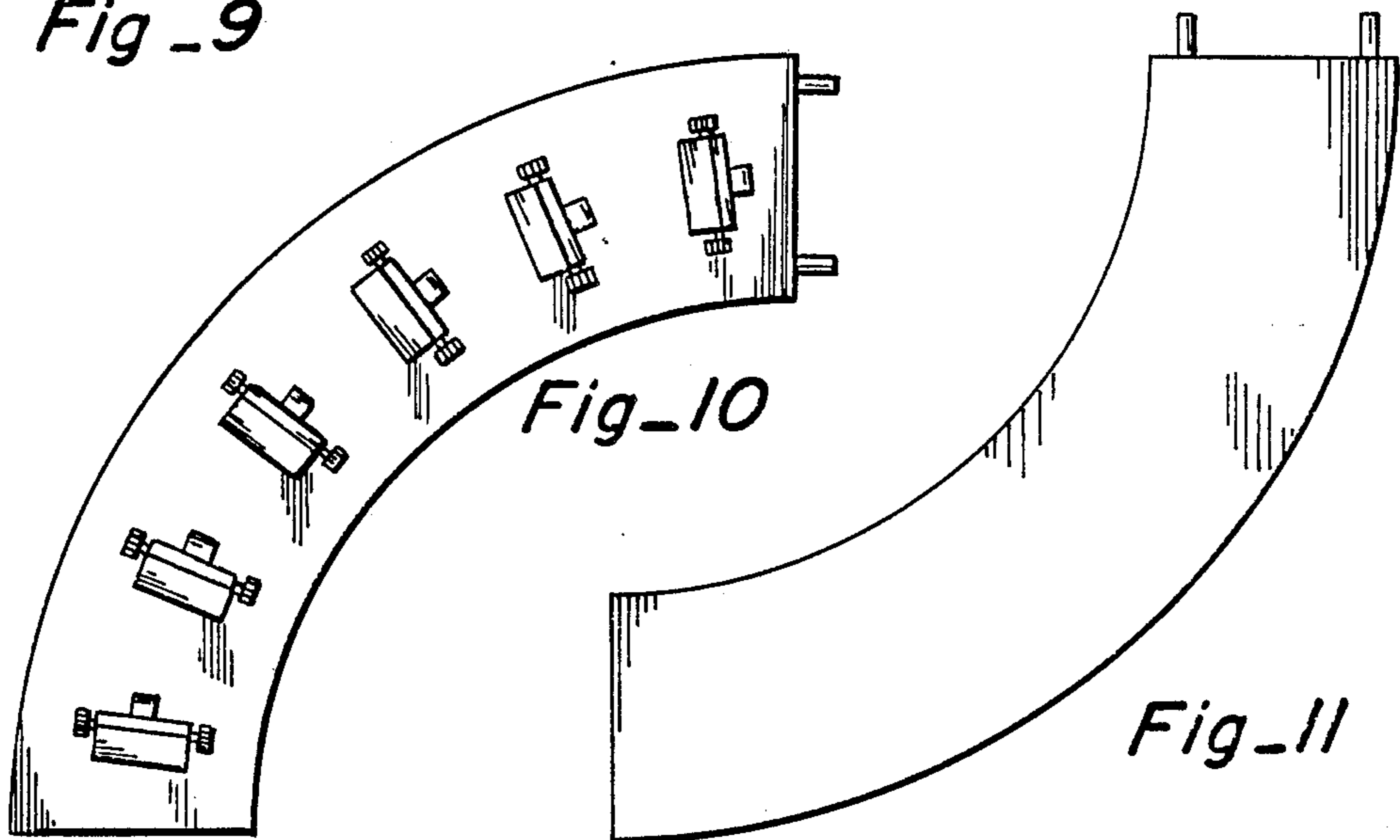


Fig-10

Fig-11