

[54] FOOTBALL DIGITAL DISPLAY MARKER OR SIMILAR ARTICLE

[76] Inventor: Robert L. Smith, 8409 Flora, Kansas City, Mo. 64131

[\*\*] Term: 14 Years

[21] Appl. No.: 933,067

[22] Filed: Nov. 20, 1986

[52] U.S. Cl. .... D10/46.1

[58] Field of Search ..... D10/46.1, 66, 70, 71; D20/41, 43, 99; D21/199; 40/580, 586, 598; 116/222, 223; 273/55 R, 411; 340/323 R, 525

[56] References Cited

U.S. PATENT DOCUMENTS

- D. 171,929 4/1954 Cooper et al. .... D21/199
- 1,279,539 9/1918 Haggerty ..... 116/222
- 1,709,041 4/1929 Schutt ..... 40/598
- 2,155,992 4/1939 Menachof ..... 40/598

- 2,208,297 7/1940 Lipp ..... D21/199
- 2,976,000 3/1961 Gunderson ..... D20/41
- 3,768,435 10/1973 Dicker ..... 40/598
- 4,404,543 9/1983 Kracl ..... 116/222

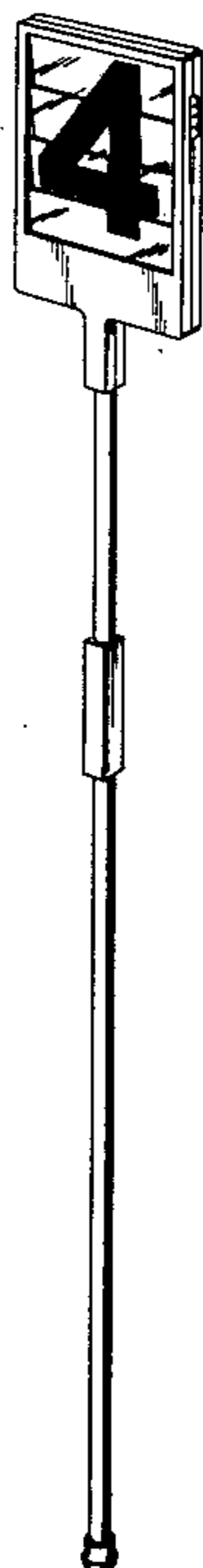
Primary Examiner—Melvin B. Feifer  
Assistant Examiner—William J. Krawczewicz  
Attorney, Agent, or Firm—Hovey, Williams, Timmons & Collins

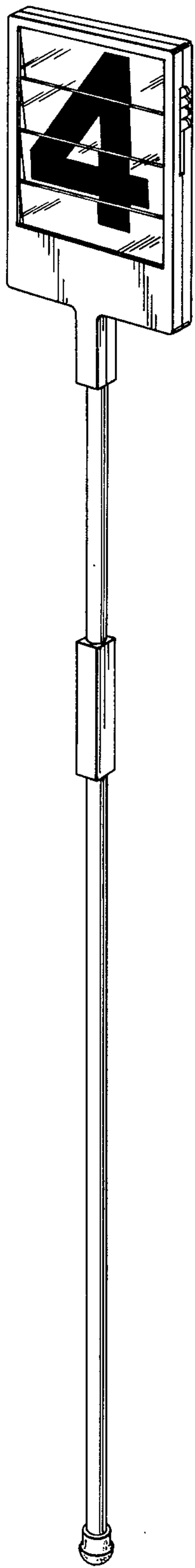
[57] CLAIM

The ornamental design for a football digital display marker or similar article, as shown and described.

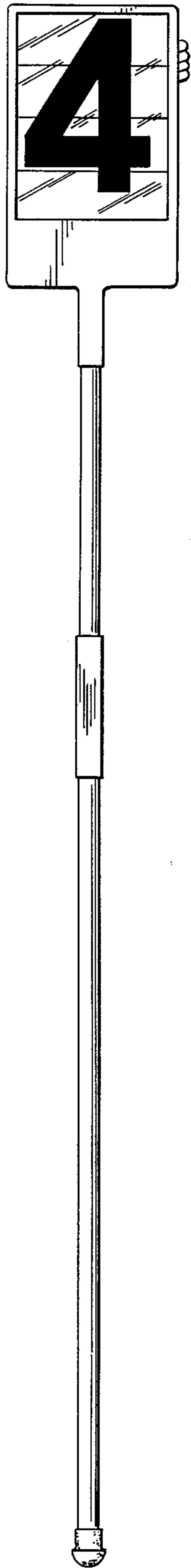
DESCRIPTION

FIG. 1 is a perspective view of a football digital display marker or similar article embodying my new design; FIG. 2 is a front elevational view thereof; FIG. 3 is a left side elevational view thereof; FIG. 4 is a right side elevational view thereof; FIG. 5 is a top plan view thereof; and FIG. 6 is a bottom plan view thereof.





*Fig. 1.*



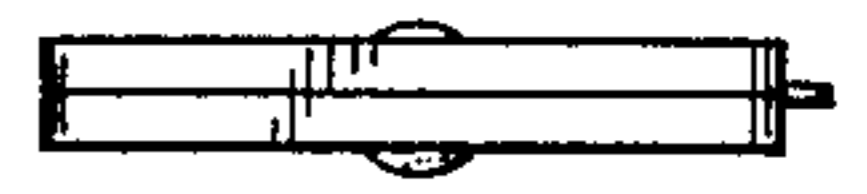
*Fig. 2.*



*Fig. 3.*



*Fig. 4.*



*Fig. 5.*



*Fig. 6.*