

United States Patent [19]
Horger

[11] **Patent Number: Des. 304,841**

[45] **Date of Patent: ** Nov. 28, 1989**

[54] **LABEL PEELER**

[76] **Inventor: John S. Horger, 26285 Augusta Dr.,
Lake Arrowhead, Calif. 92352**

[**] **Term: 14 Years**

[21] **Appl. No.: 864,945**

[22] **Filed: May 19, 1986**

[52] **U.S. Cl. D19/69; D18/34;
D18/99**

[58] **Field of Search D8/14, 98; D19/67-69;
D18/34, 99, 14, 15, 19; 225/6; 156/DIG. 48,
DIG. 33**

[56] **References Cited**

U.S. PATENT DOCUMENTS

D. 162,901 4/1951 Swanson D8/14
D. 246,906 1/1978 Leopoldi D19/68
D. 295,639 5/1988 Oglander et al. D18/19

3,107,814 10/1963 Auger et al. D19/67
4,191,306 3/1980 Rabner D19/67

OTHER PUBLICATIONS

Seal-O-Matic Dispenser Co. brochure, p. 4/#JB2
Label Dispenser.

Primary Examiner—Bruce W. Dunkins

Assistant Examiner—Clare E. Heflin

Attorney, Agent, or Firm—Francis X. LoJacono

[57] **CLAIM**

The ornamental design for label peeler, as shown.

DESCRIPTION

FIG. 1 is a top, front perspective view of the label
peeler, showing my new design;

FIG. 2 is a left-side-elevational view thereof;

FIG. 3 is a right-side-elevational view thereof;

FIG. 4 is a bottom-plan view thereof; and

FIG. 5 is a rear-elevational view thereof.

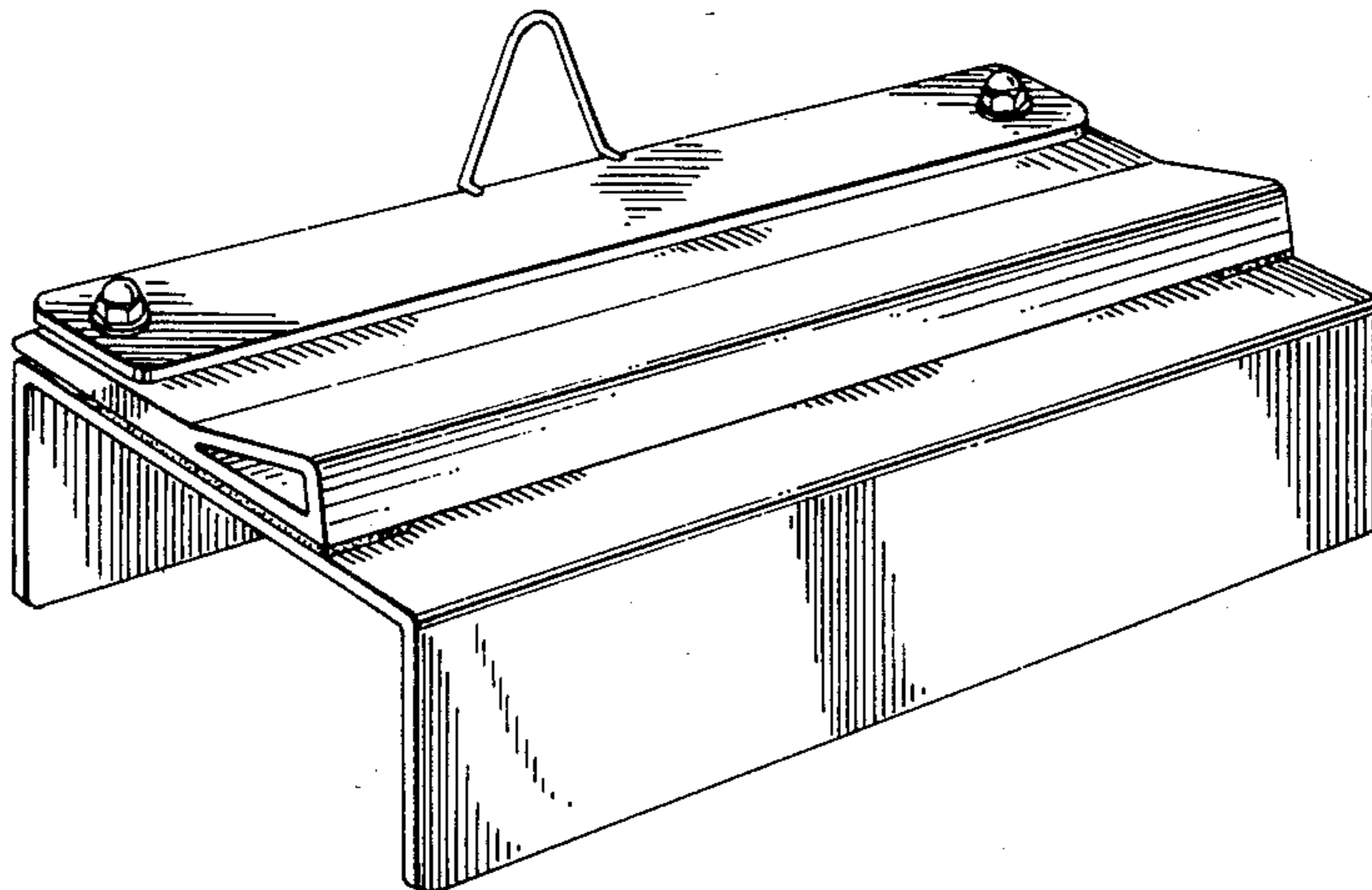


FIG. 1

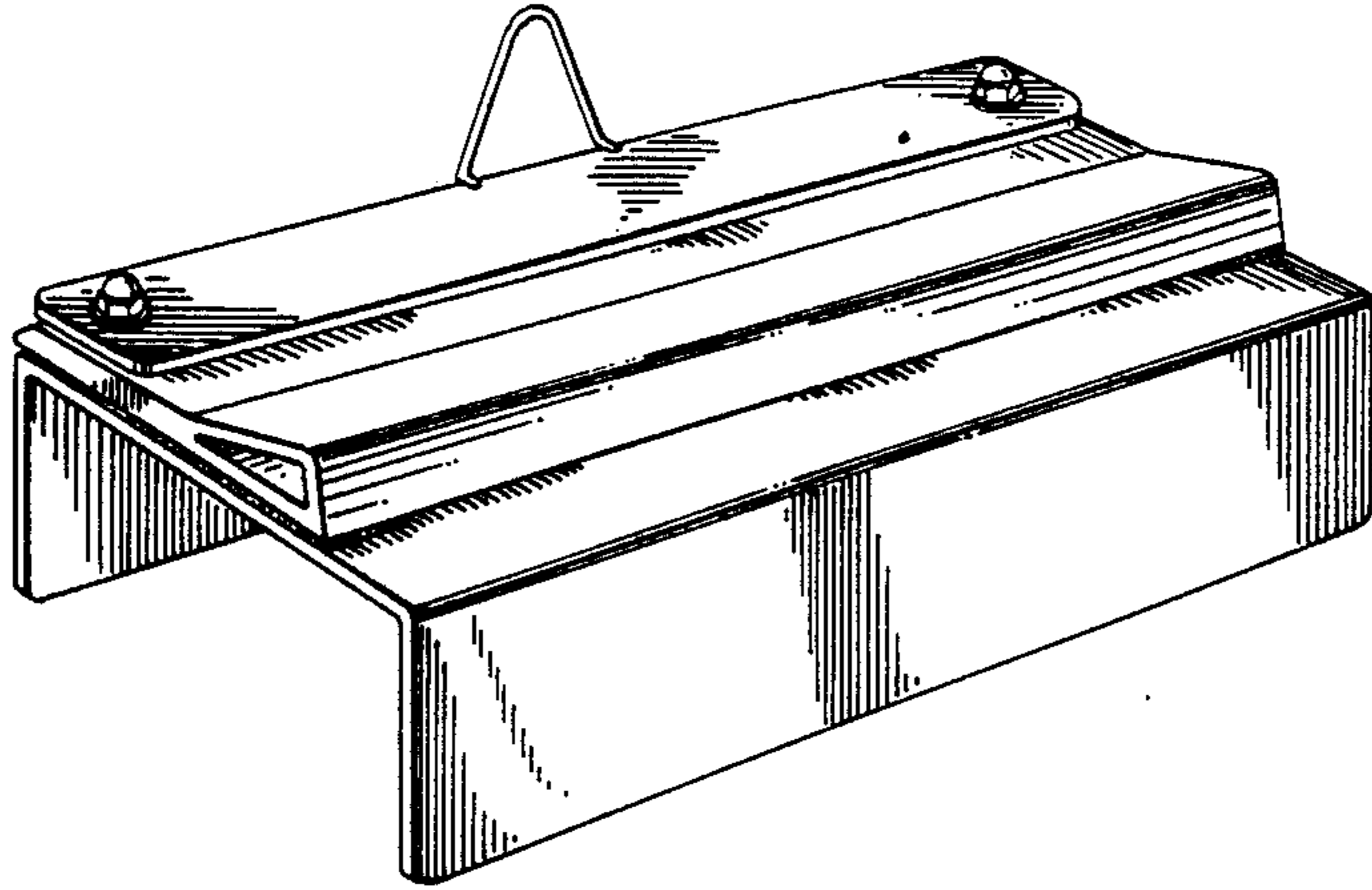


FIG. 2

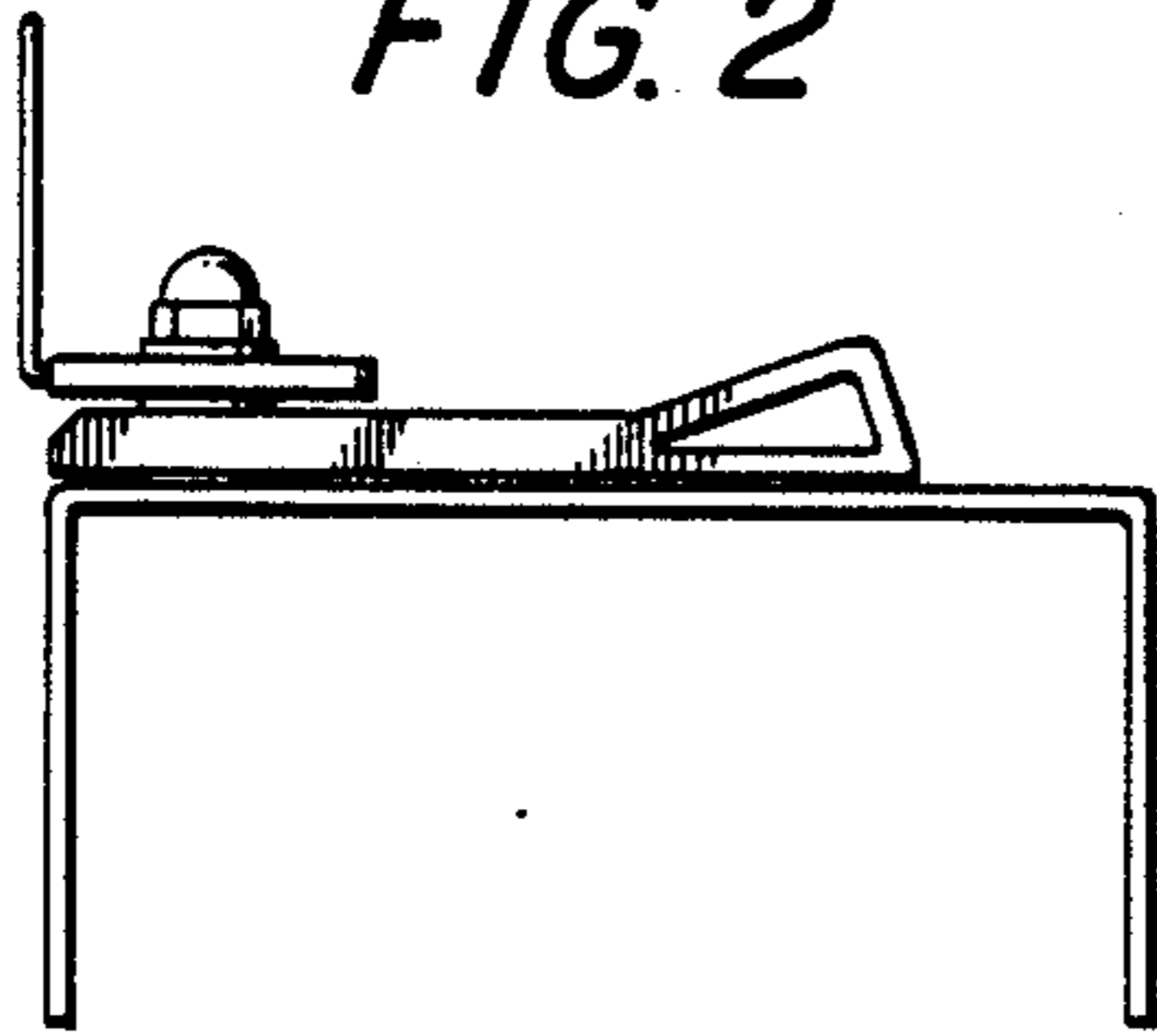


FIG. 3

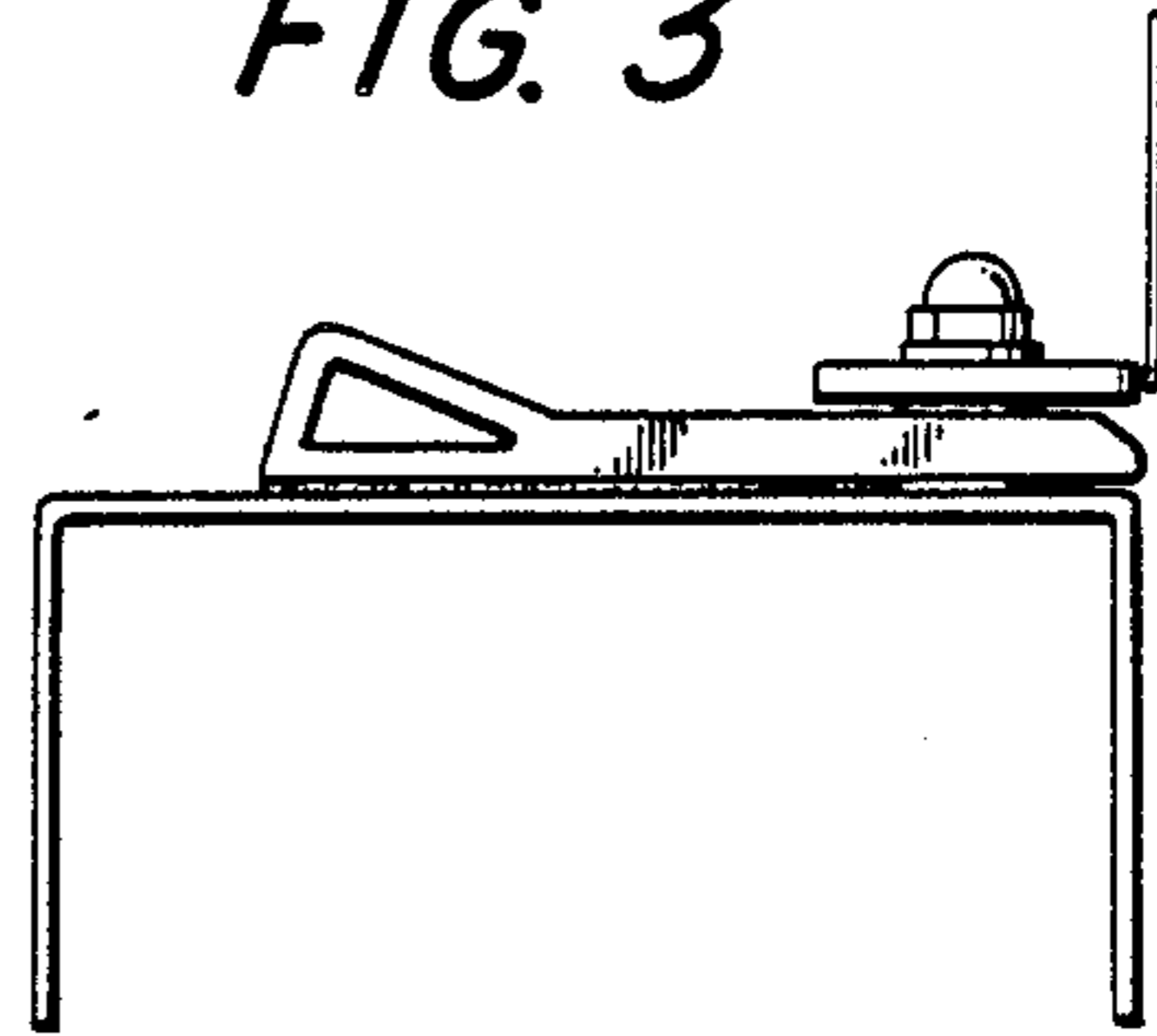


FIG. 4

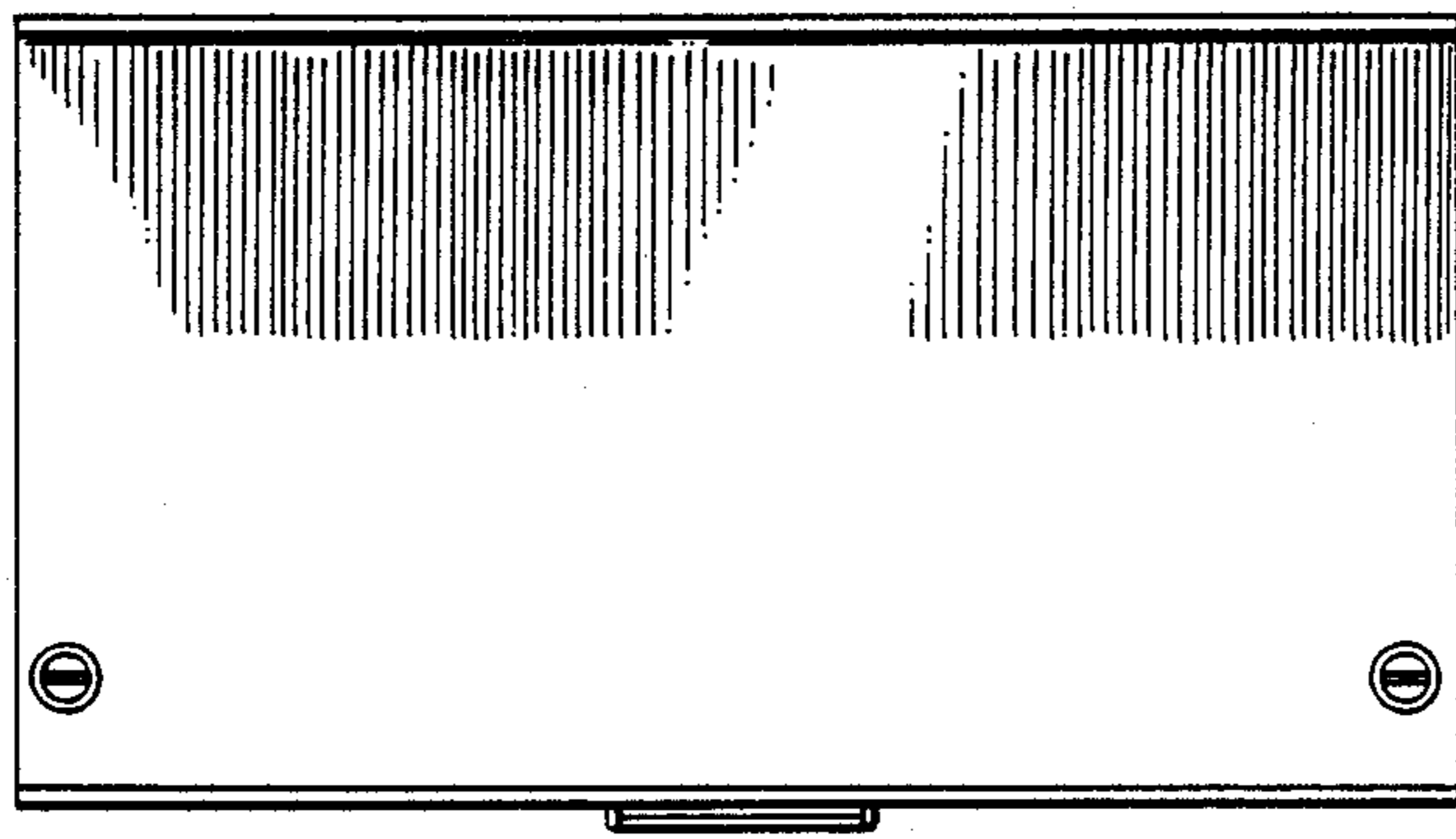


FIG. 5

