

[54] **EYEGLOSS FRAME**

[76] **Inventor:** Robert A. Hodges, 320-½ Swanson,
Saginaw, Mich. 48603

[**] **Term:** 14 Years

[21] **Appl. No.:** 40,863

[22] **Filed:** Apr. 20, 1987

[52] **U.S. Cl.** D16/107; D16/111

[58] **Field of Search** D16/102-123,
D16/125-127; 351/41, 44-46, 49, 51, 52, 60, 65,
68-82, 83, 85, 87, 88, 90, 103, 111

[56] **References Cited**

U.S. PATENT DOCUMENTS

D. 172,730 7/1954 Teague D16/115

D. 272,865 3/1984 Edelmann D16/103

1,935,634 11/1933 Ives D16/107 X

2,032,139 2/1936 Macy 351/44

FOREIGN PATENT DOCUMENTS

228696 12/1943 Switzerland 351/41

OTHER PUBLICATIONS

International Projectionist Dec. 1953, p. 3, 3-D
Magic-Vuers.

Accessories Oct. 1986, p. 45/Spectacle Publication
Boxes.

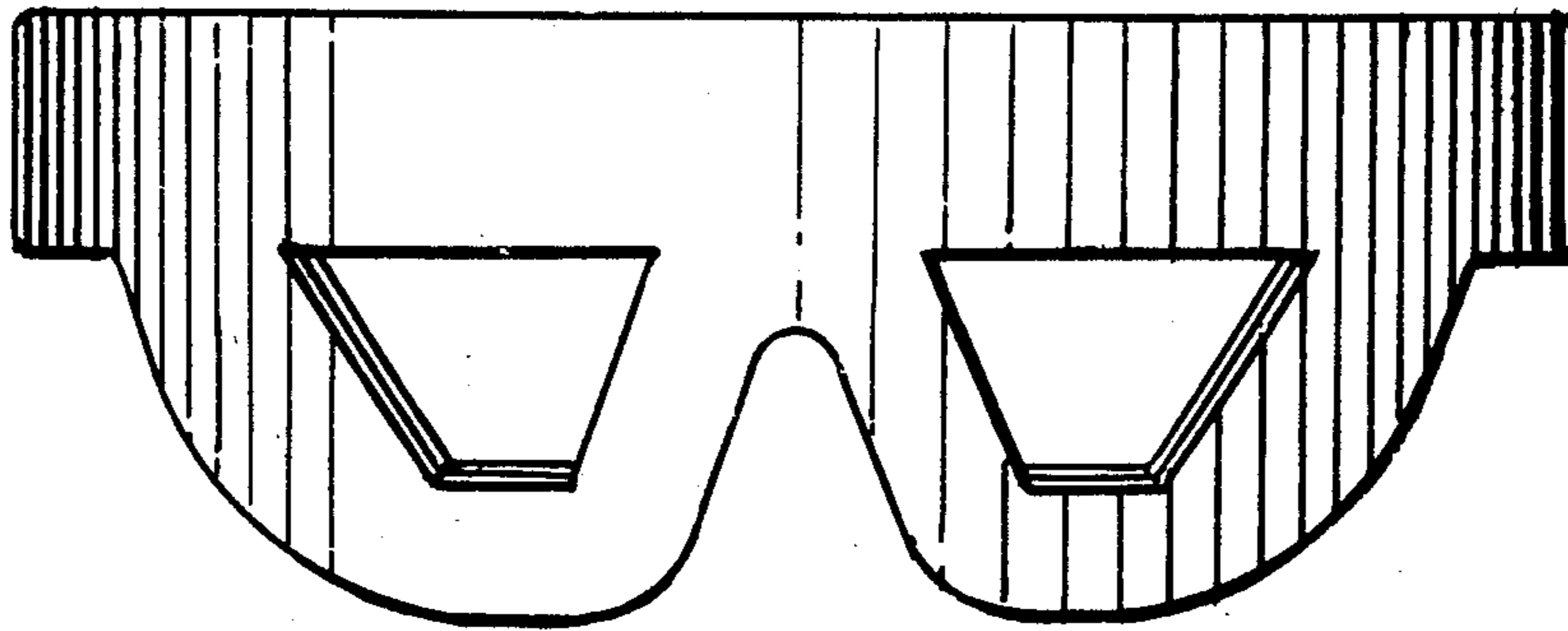
Primary Examiner—Bruce W. Dunkins
Assistant Examiner—Clare E. Heflin
Attorney, Agent, or Firm—John J. Swartz

[57] **CLAIM**

The ornamental design for an eyeglass frame, as shown
and described.

DESCRIPTION

FIG. 1 is a front elevational view of the eyeglass frame
showing my new design;
FIG. 2 is a rear elevational view thereof;
FIG. 3 is a top plan view thereof;
FIG. 4 is a bottom plan view thereof;
FIG. 5 is a side elevational view thereof;
FIG. 6 is an opposite side elevational view thereof; and
FIG. 7 is a reduced perspective view thereof.



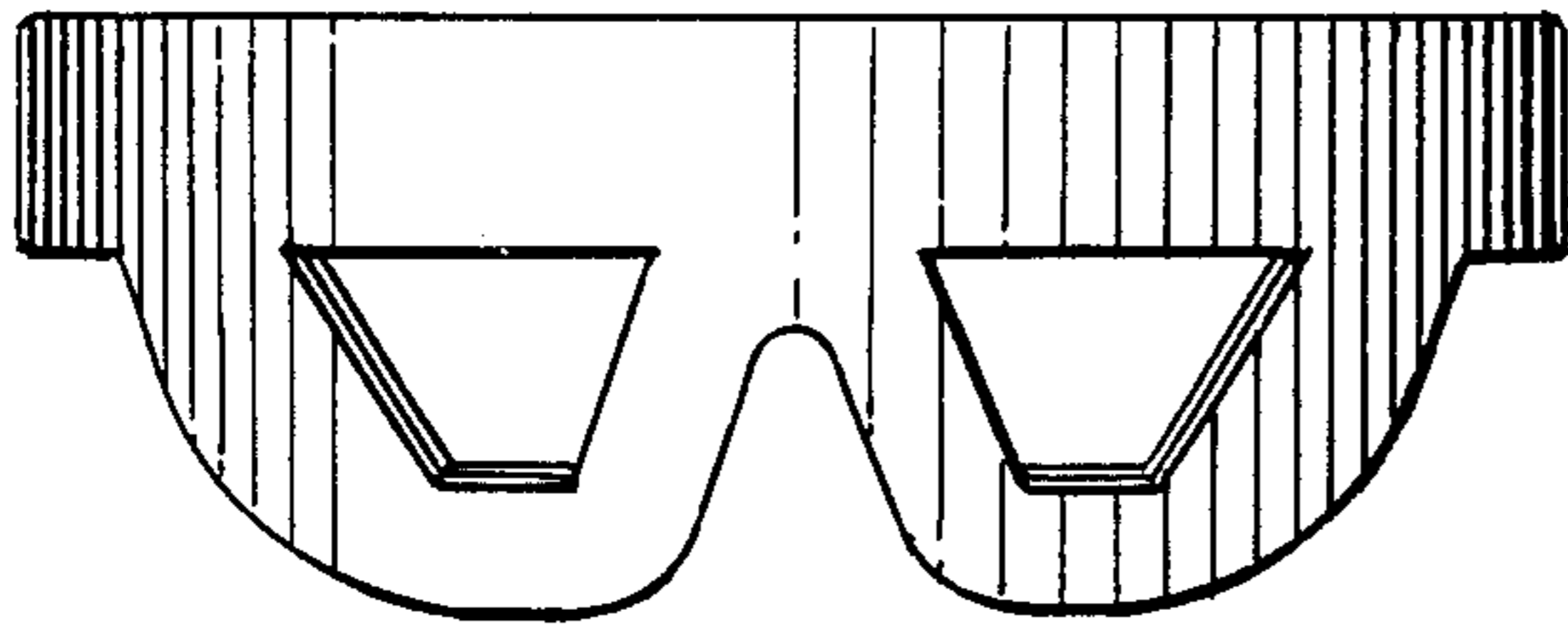


FIG. 1

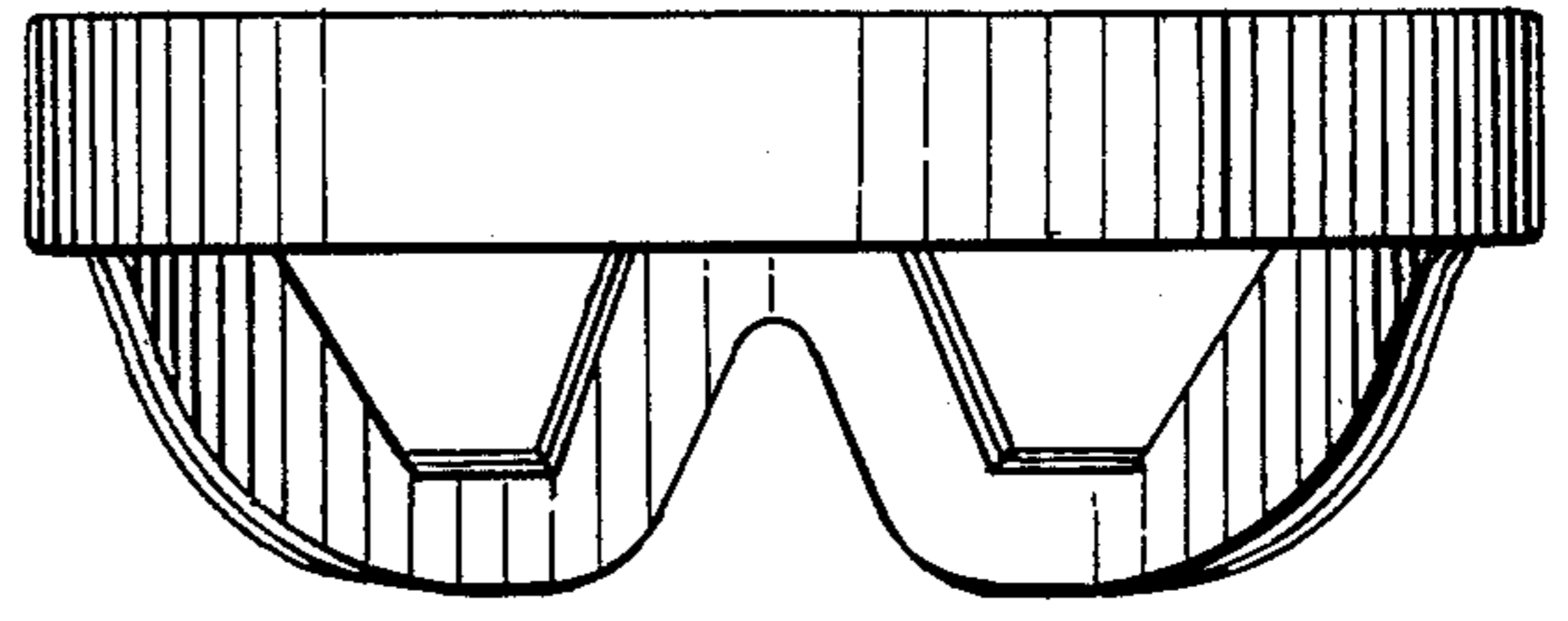


FIG. 2

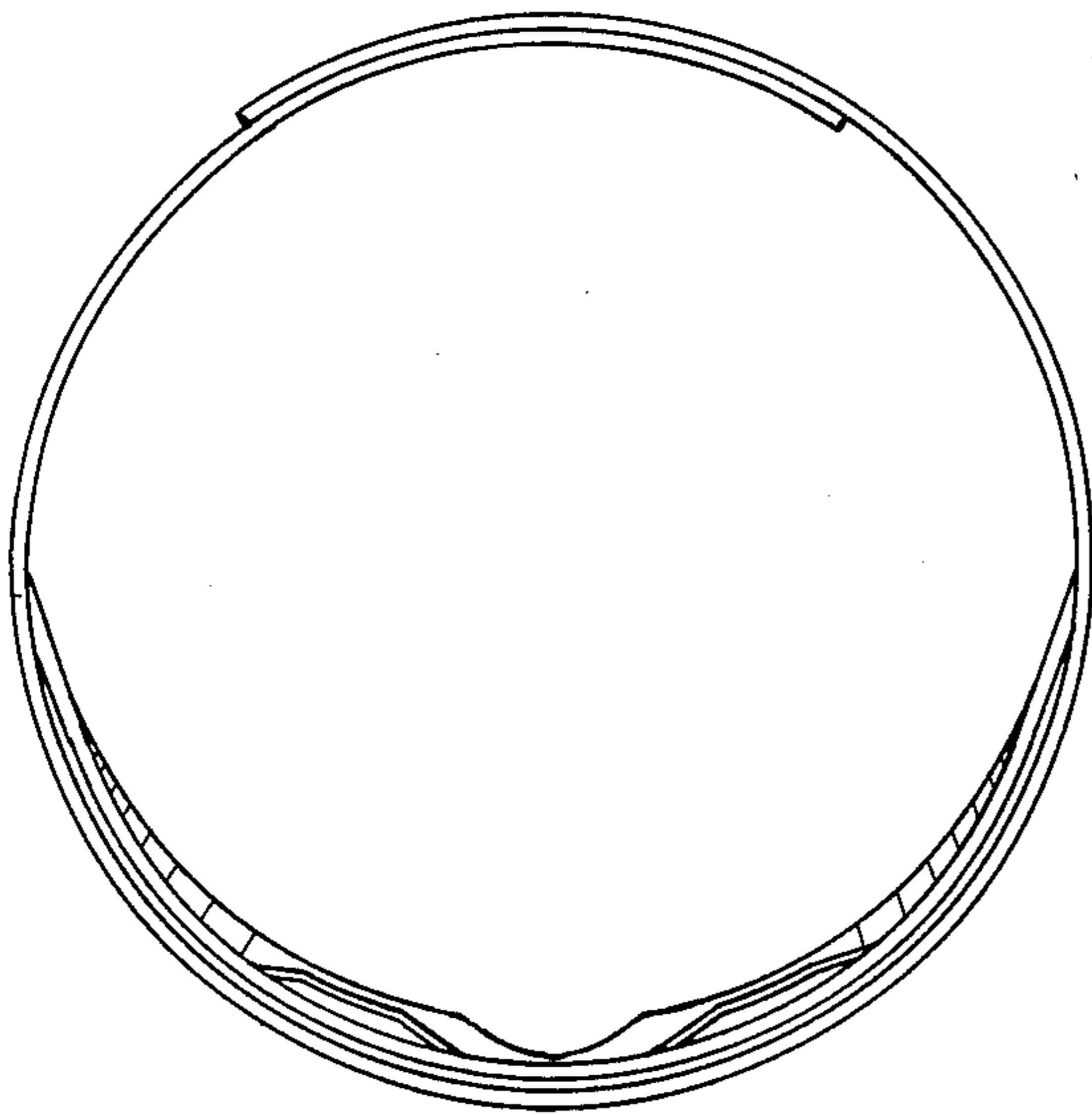


FIG. 3

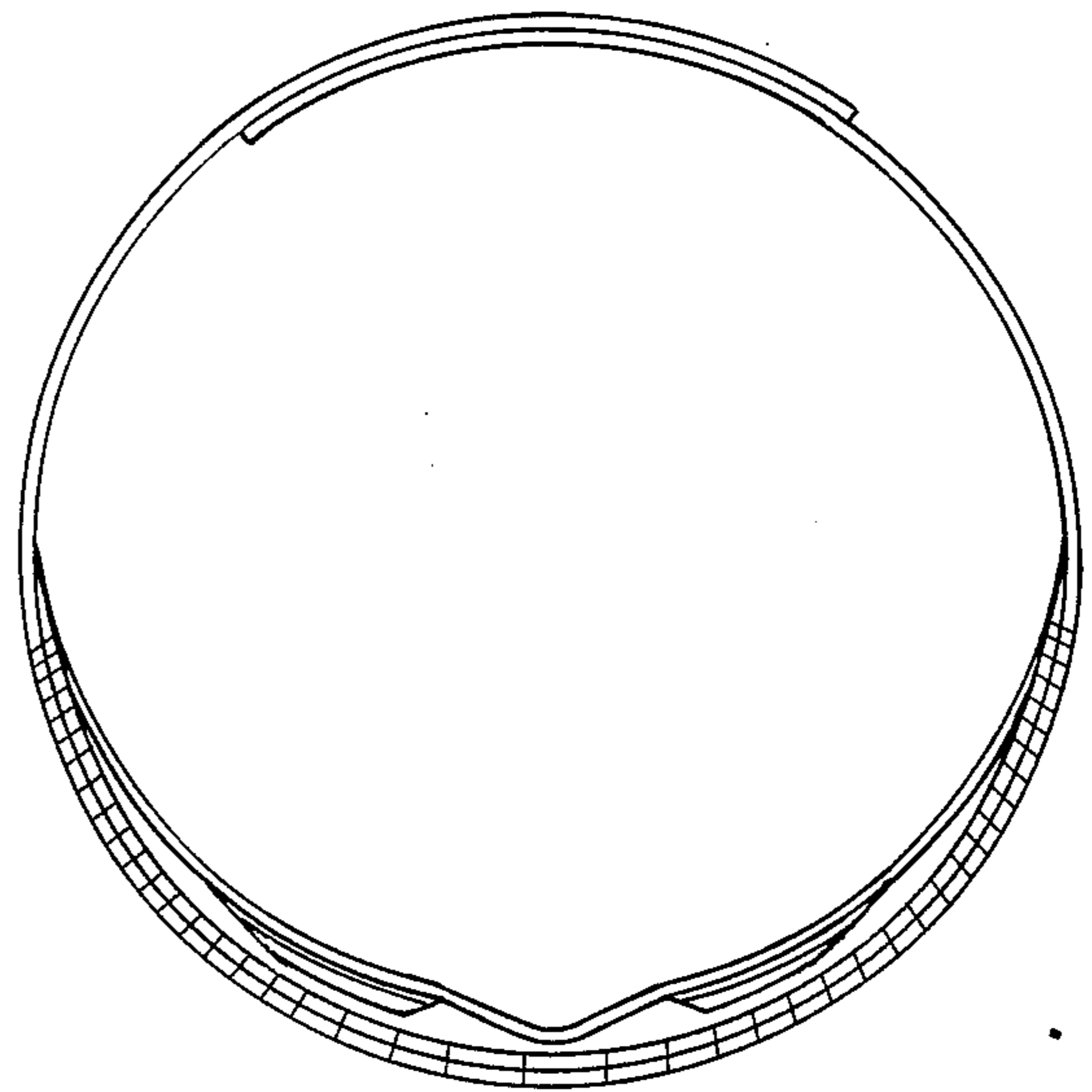


FIG. 4

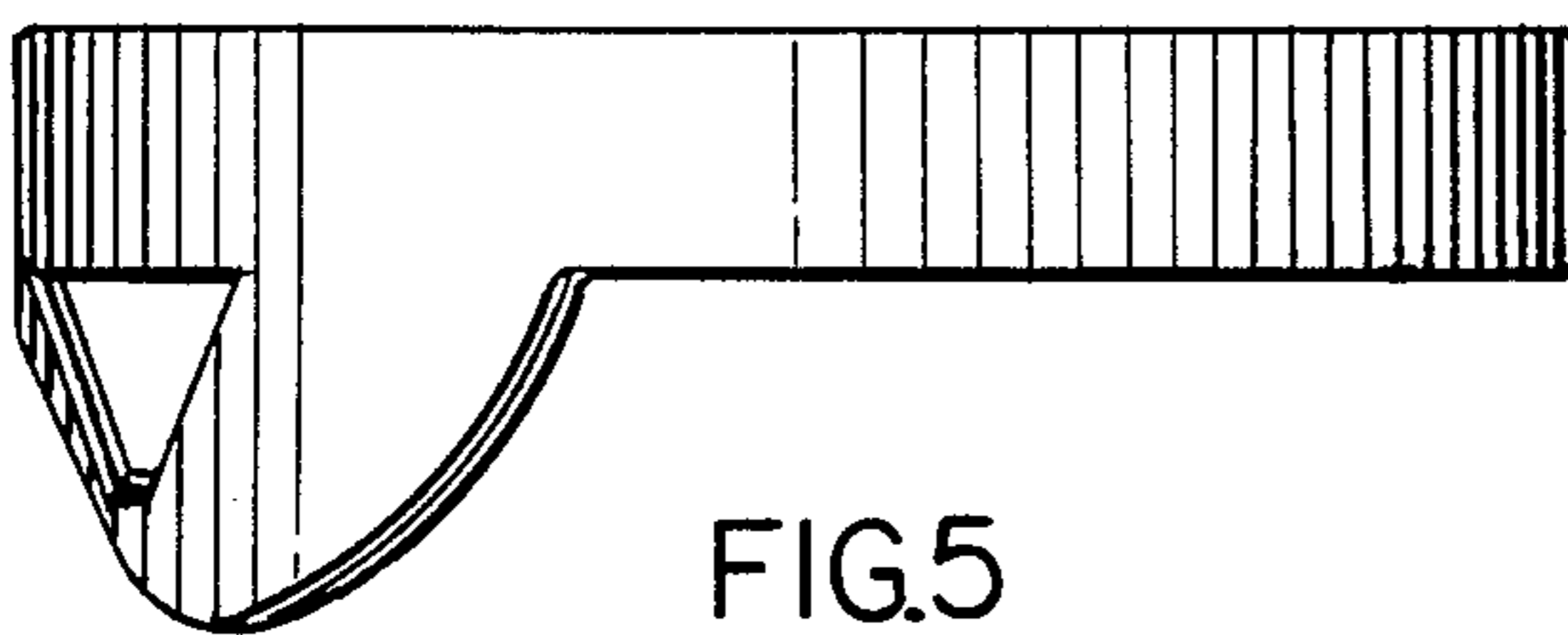


FIG. 5

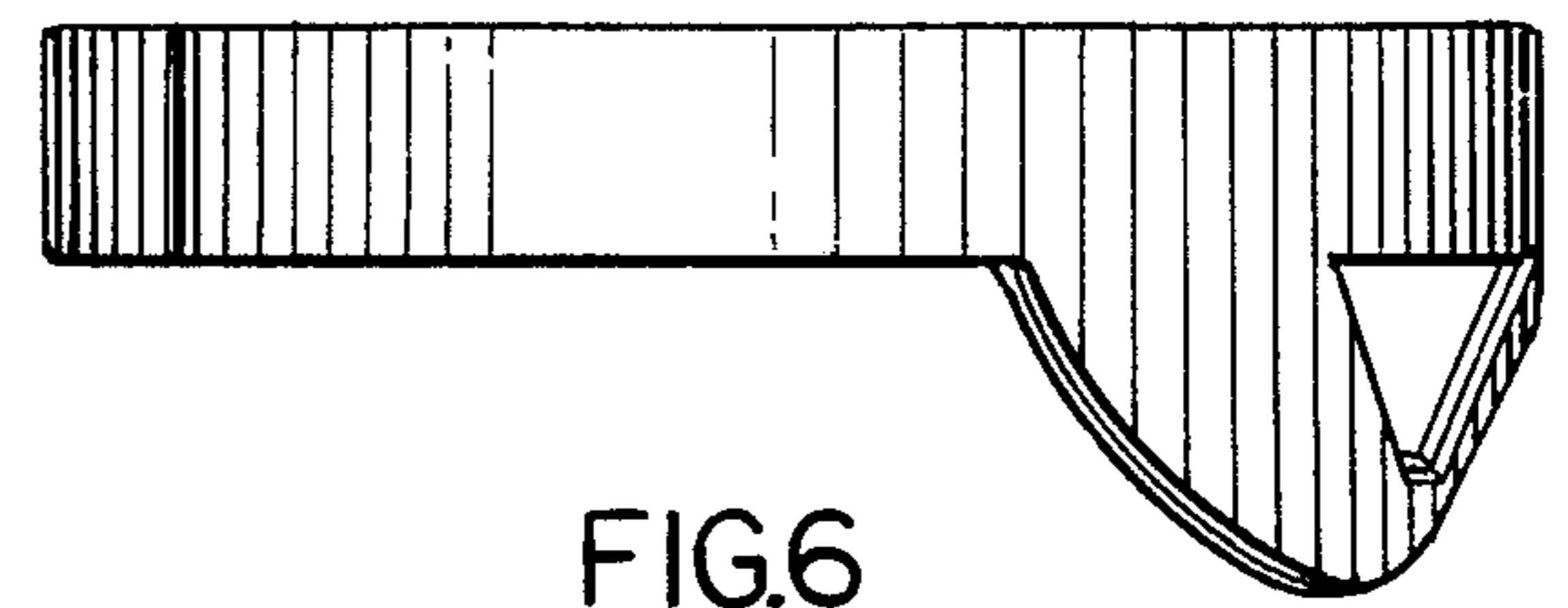


FIG. 6

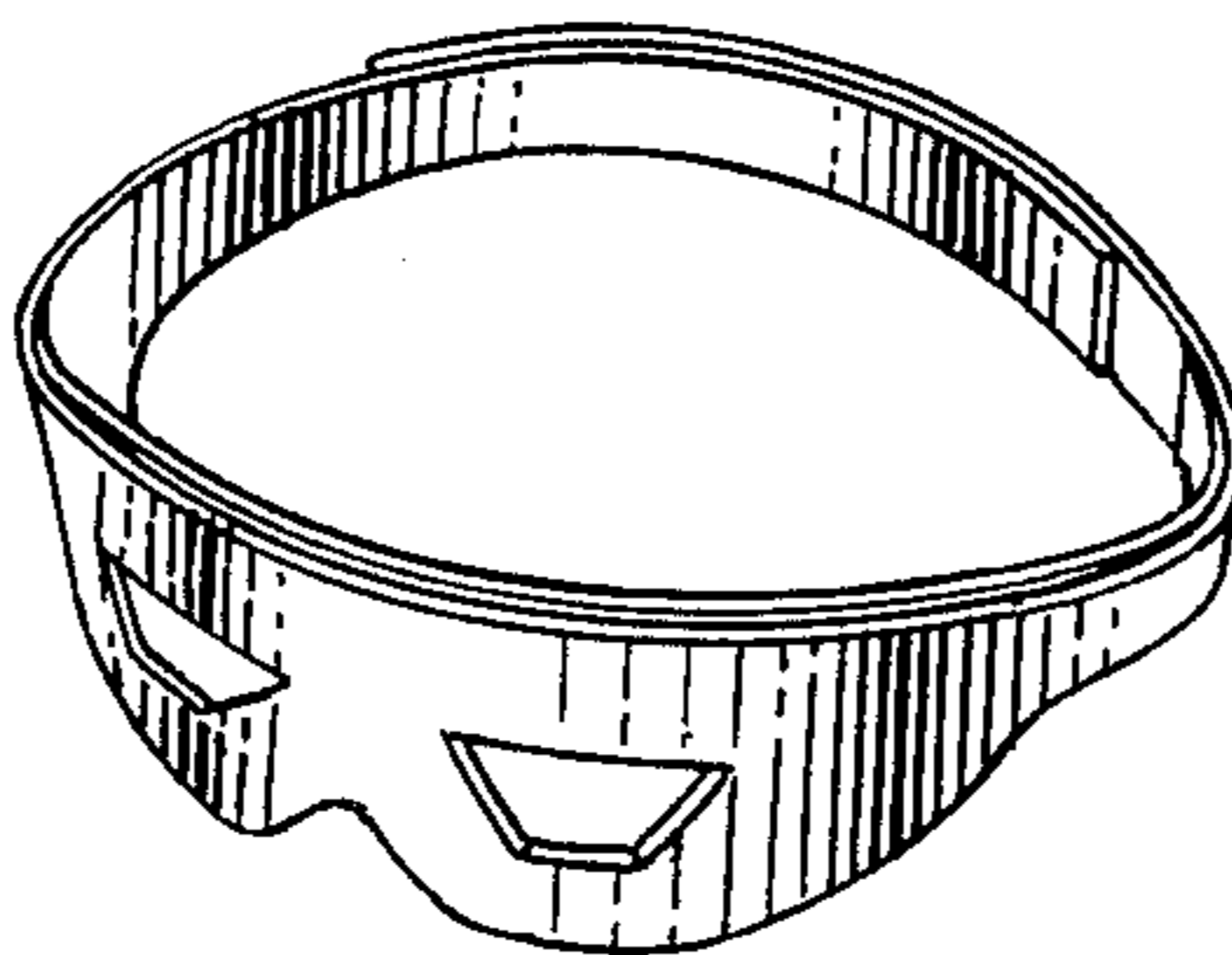


FIG. 7