

[54] PISTON DIAPHRAGM PUMP FOR ATTACHMENT TO PRESSURIZED SPRAYER CONTAINERS

Primary Examiner—Wallace R. Burke
Assistant Examiner—Brian N. Vinson
Attorney, Agent, or Firm—Poms, Smith, Lande & Rose

[76] Inventor: Pedro W. Luchsinger, Panamericana 445 Lagos de Moreno, C.P. 47400, Jalisco, Mexico

[57] CLAIM

The ornamental design for a piston diaphragm pump for attachment to pressurized sprayer containers, as shown and described.

[**] Term: 14 Years

DESCRIPTION

[21] Appl. No.: 56,529

FIG. 1 is a top, front and left side perspective view of a piston diaphragm pump for attachment to pressurized spray containers showing my new design;

[22] Filed: Jun. 1, 1987

FIG. 2 is a top plan view thereof;

[52] U.S. Cl. D15/7

FIG. 3 is a bottom, front and left side perspective view thereof;

[58] Field of Search D15/7, 9, 154; 239/333, 239/355, 373; 222/383, 385, 175; 417/395, 234

FIG. 4 is a bottom plan view thereof;

[56] References Cited

U.S. PATENT DOCUMENTS

FIG. 5 is a rear elevational view thereof; and

2,626,185 1/1953 Roselund 239/333 X
4,600,129 7/1986 Kordo 222/175

FIG. 6 is a right side elevational view thereof, the left side being substantially a mirror image of that shown.

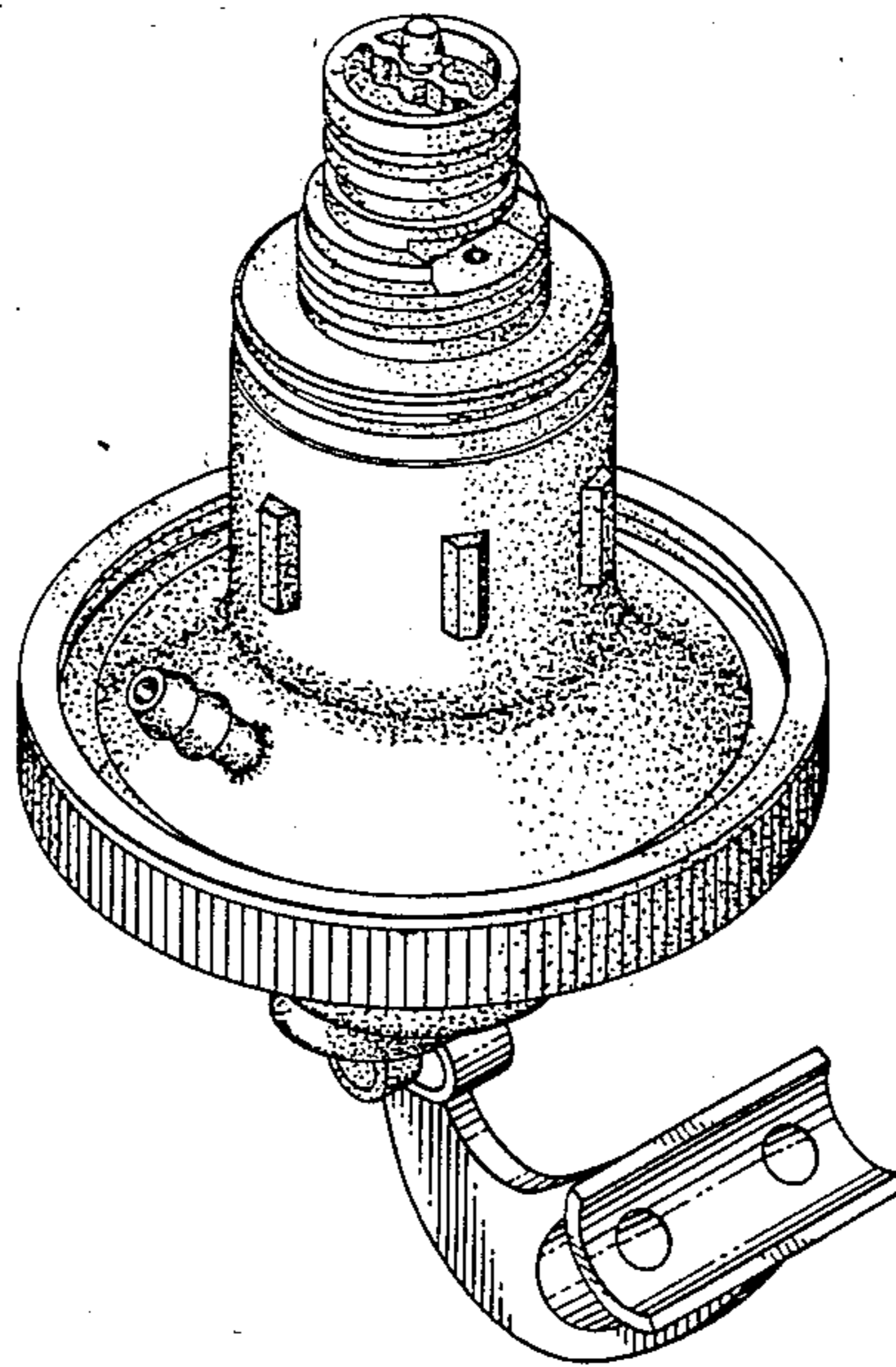


FIG. 1.

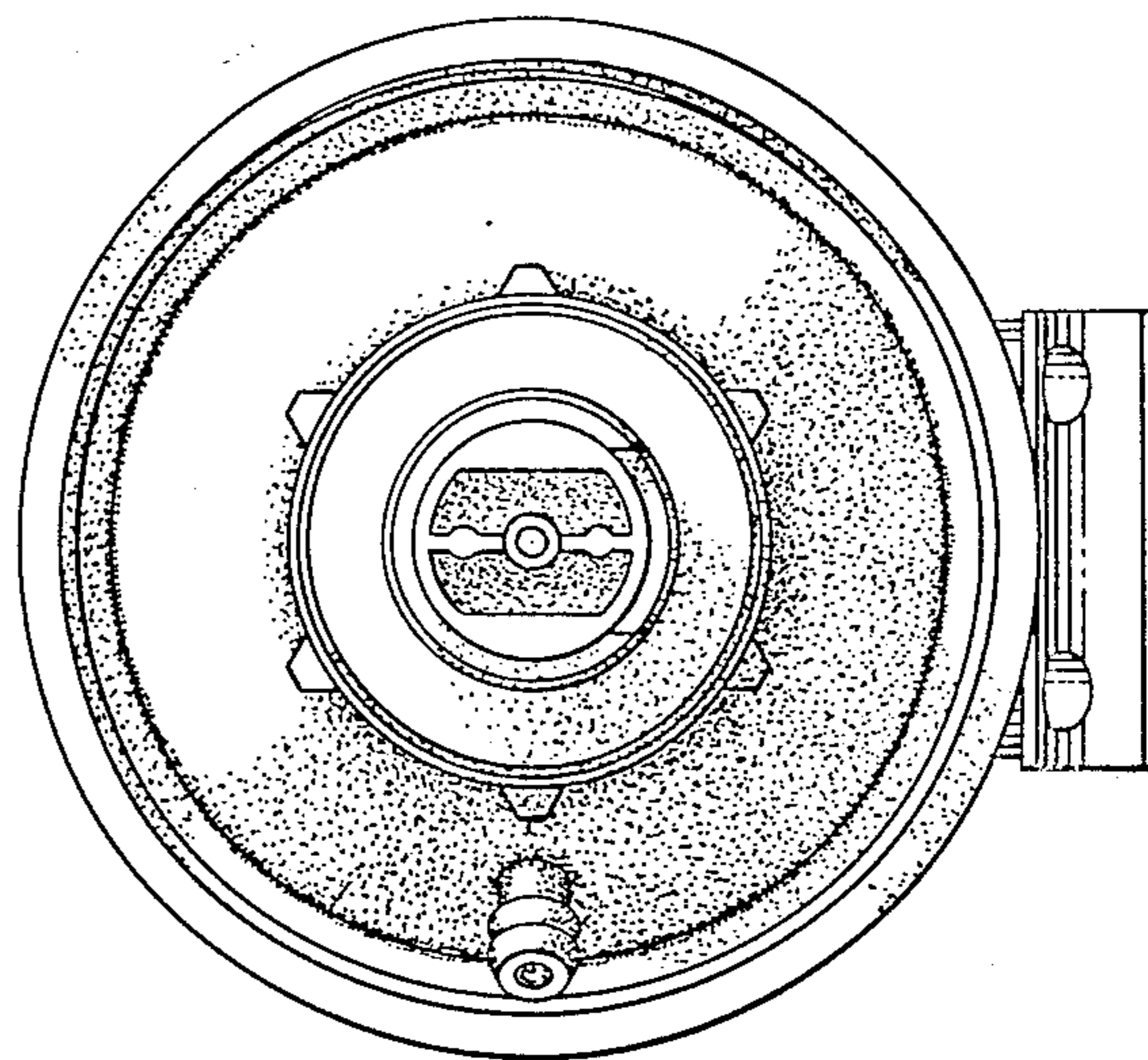
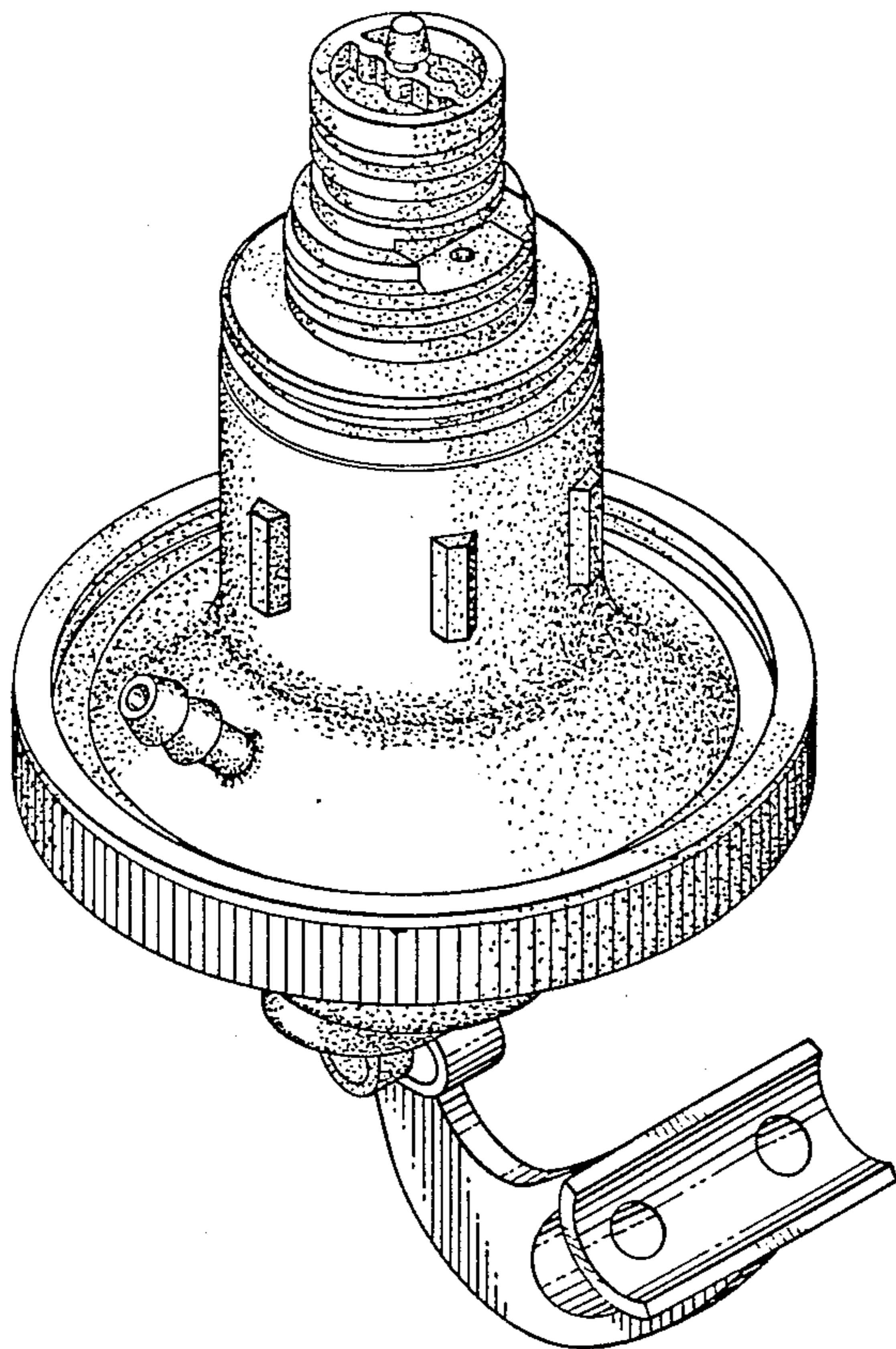


FIG. 2.

FIG. 3.

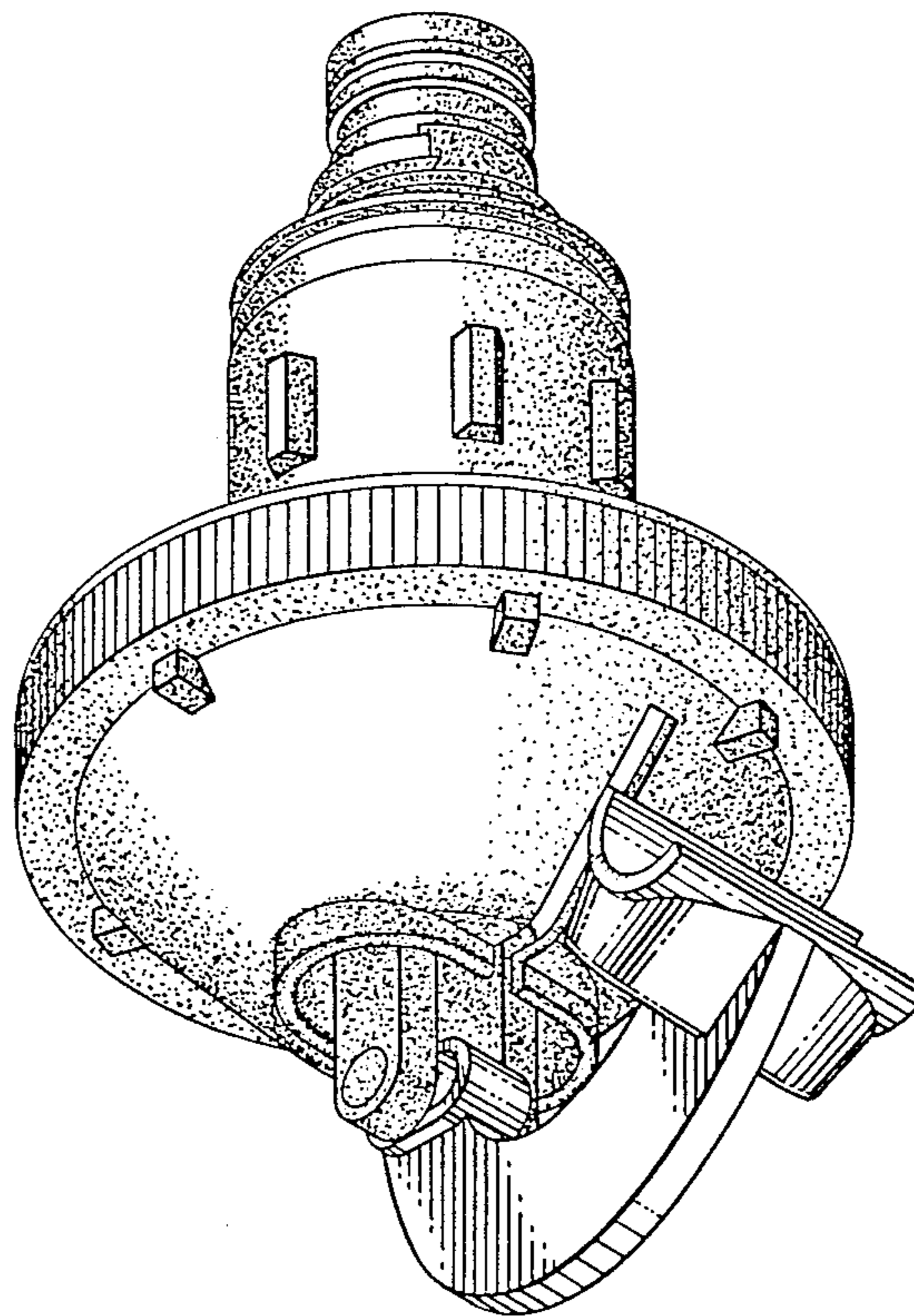


FIG. 4.

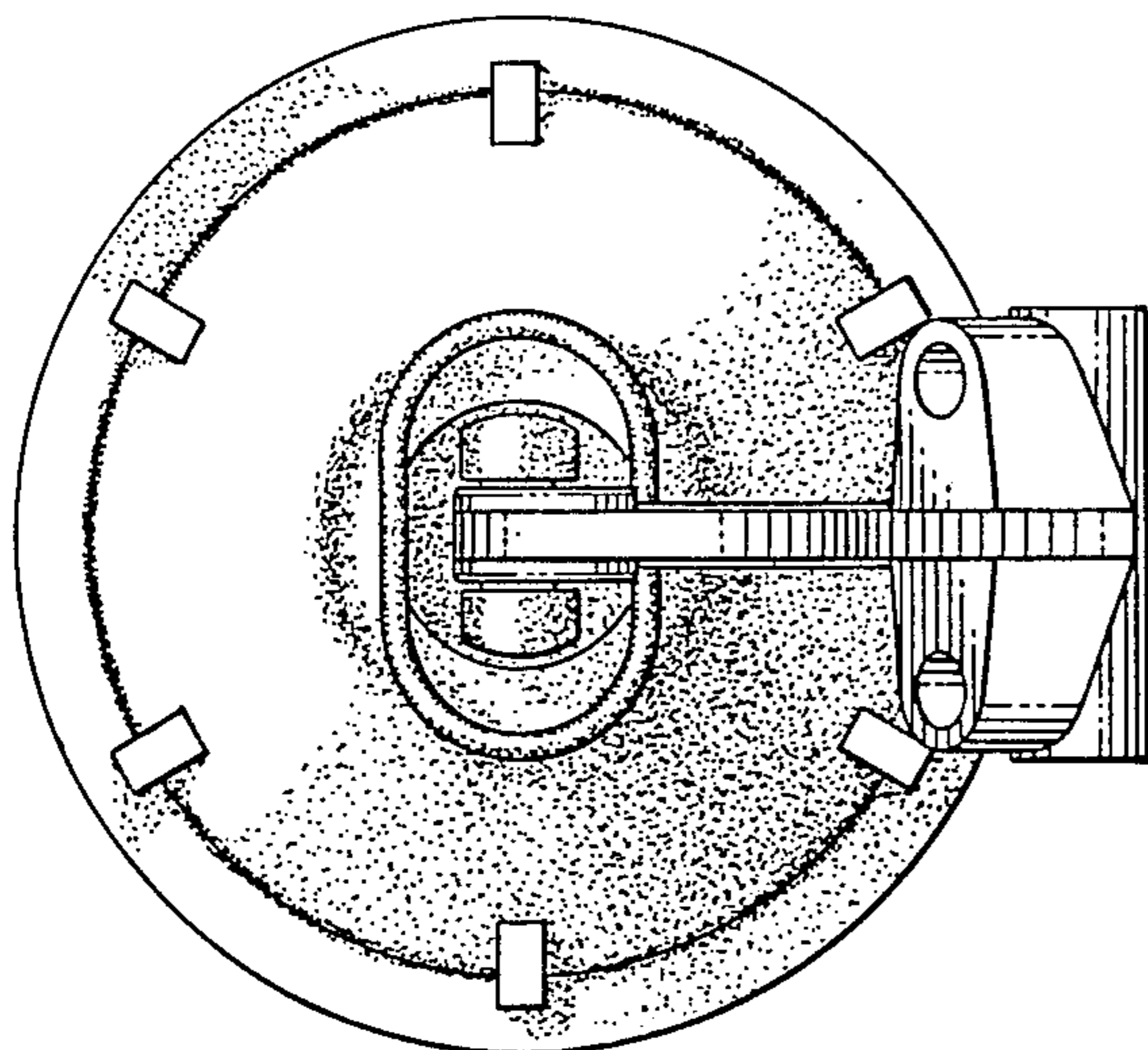


FIG. 5.

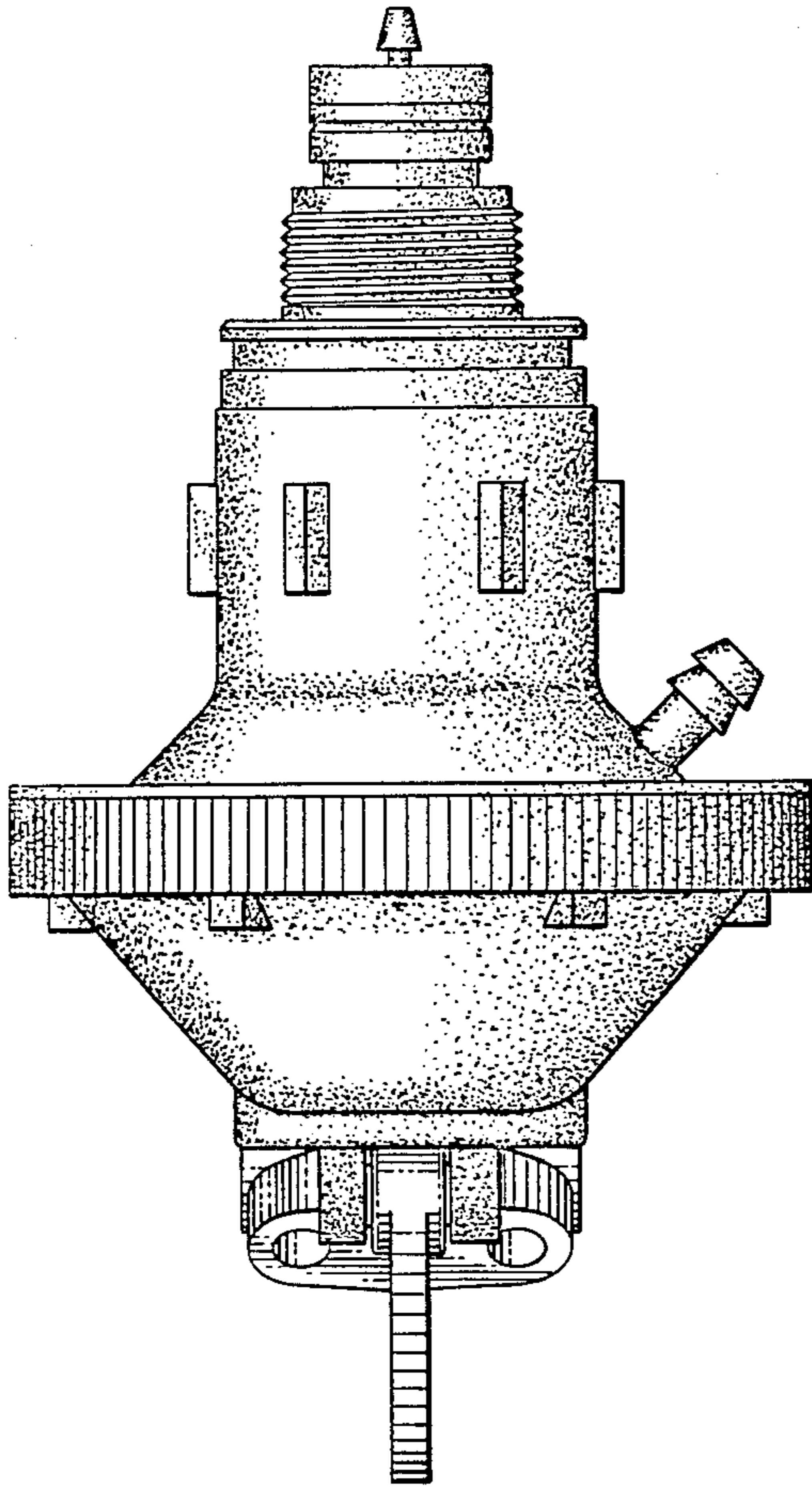


FIG. 6.

