

[54] **LOWER SIDE PROTECTOR FOR VEHICLES**

[76] **Inventor: Craig Rasmussen, 578 Bringhurse Dr., Providence, Utah 84332**

[**] **Term: 14 Years**

[21] **Appl. No.: 10,175**

[22] **Filed: Feb. 2, 1987**

[52] **U.S. Cl. D12/190; D12/203**

[58] **Field of Search D12/203, 190; 280/163, 280/169**

[56] **References Cited**

U.S. PATENT DOCUMENTS

D. 262,283	12/1981	Borick	D12/203
D. 289,891	5/1987	Bieiby	D12/203
4,456,275	6/1984	Snyder et al.	280/163

Primary Examiner—James M. Gandy

Attorney, Agent, or Firm—M. Ralph Shafffer

[57] **CLAIM**

The ornamental design for a lower side protector for vehicles, as shown and described.

DESCRIPTION

FIG. 1 is a perspective view of a lower side protector for vehicles showing my new design it being understood that the broken lines are for illustrative purposes only and form no part of the claimed design;

FIG. 2 is an enlarged front elevation view thereof;

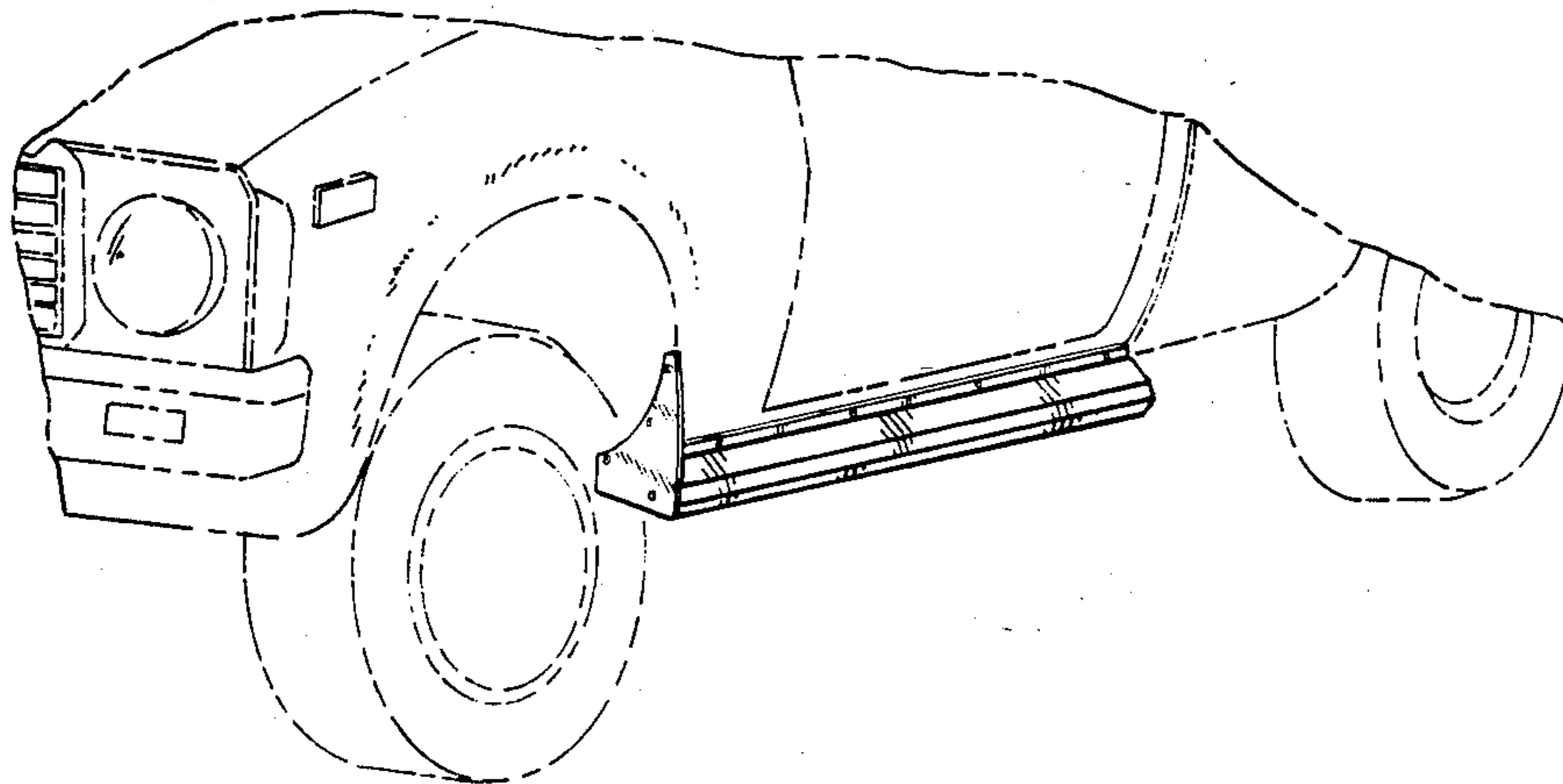
FIG. 3 is a greatly enlarged right end elevation view thereof;

FIG. 4 is an enlarged top plan view thereof;

FIG. 5 is an enlarged rear elevation view thereof;

FIG. 6 is a greatly enlarged left end elevation view thereof; and

FIG. 7 is an enlarged bottom plan view thereof.



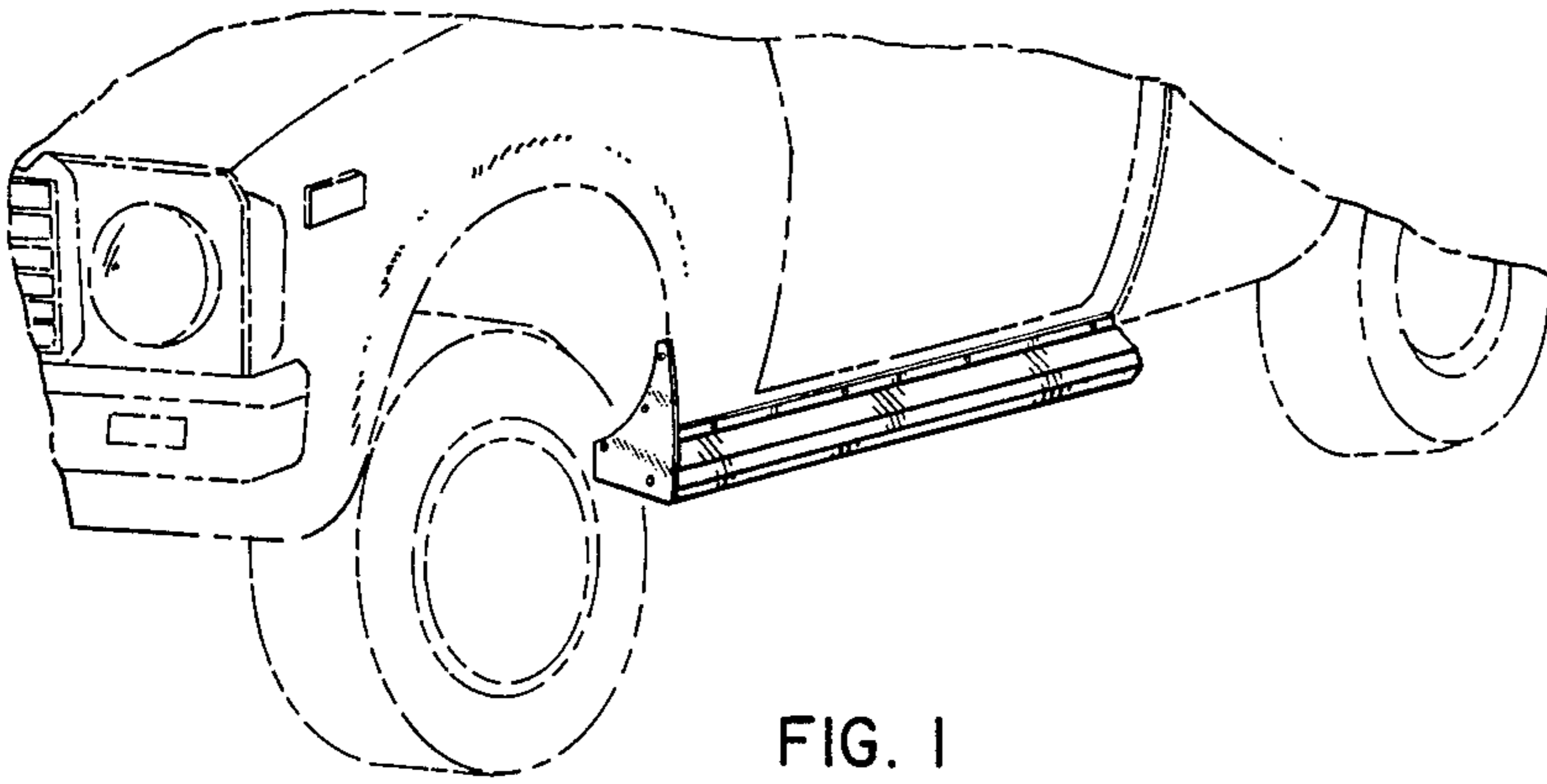


FIG. 1

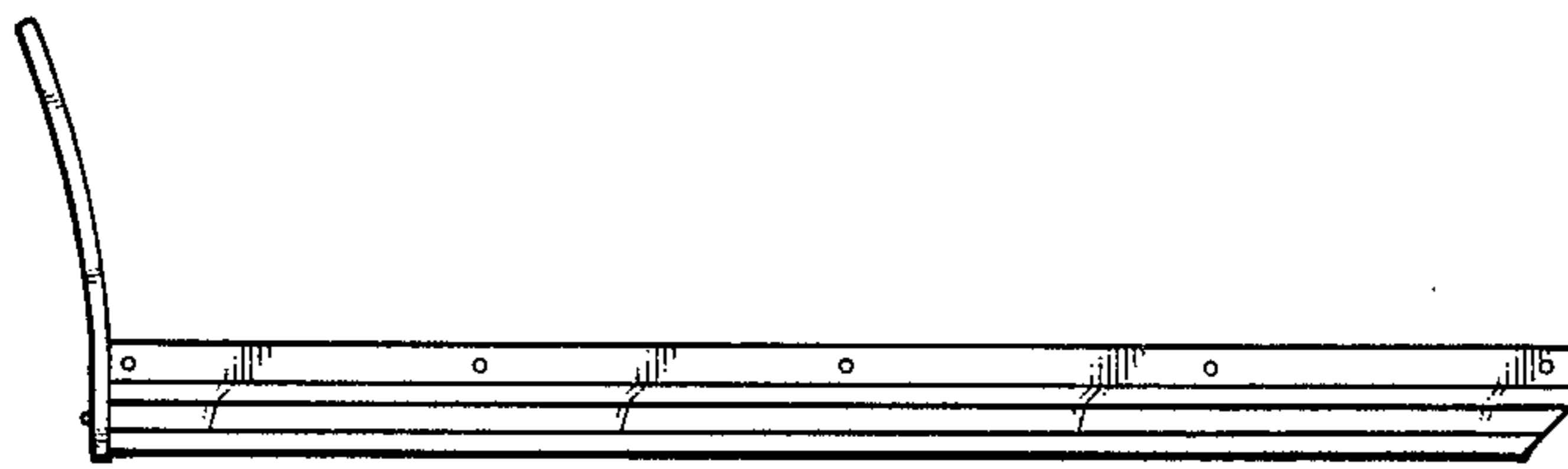


FIG. 2

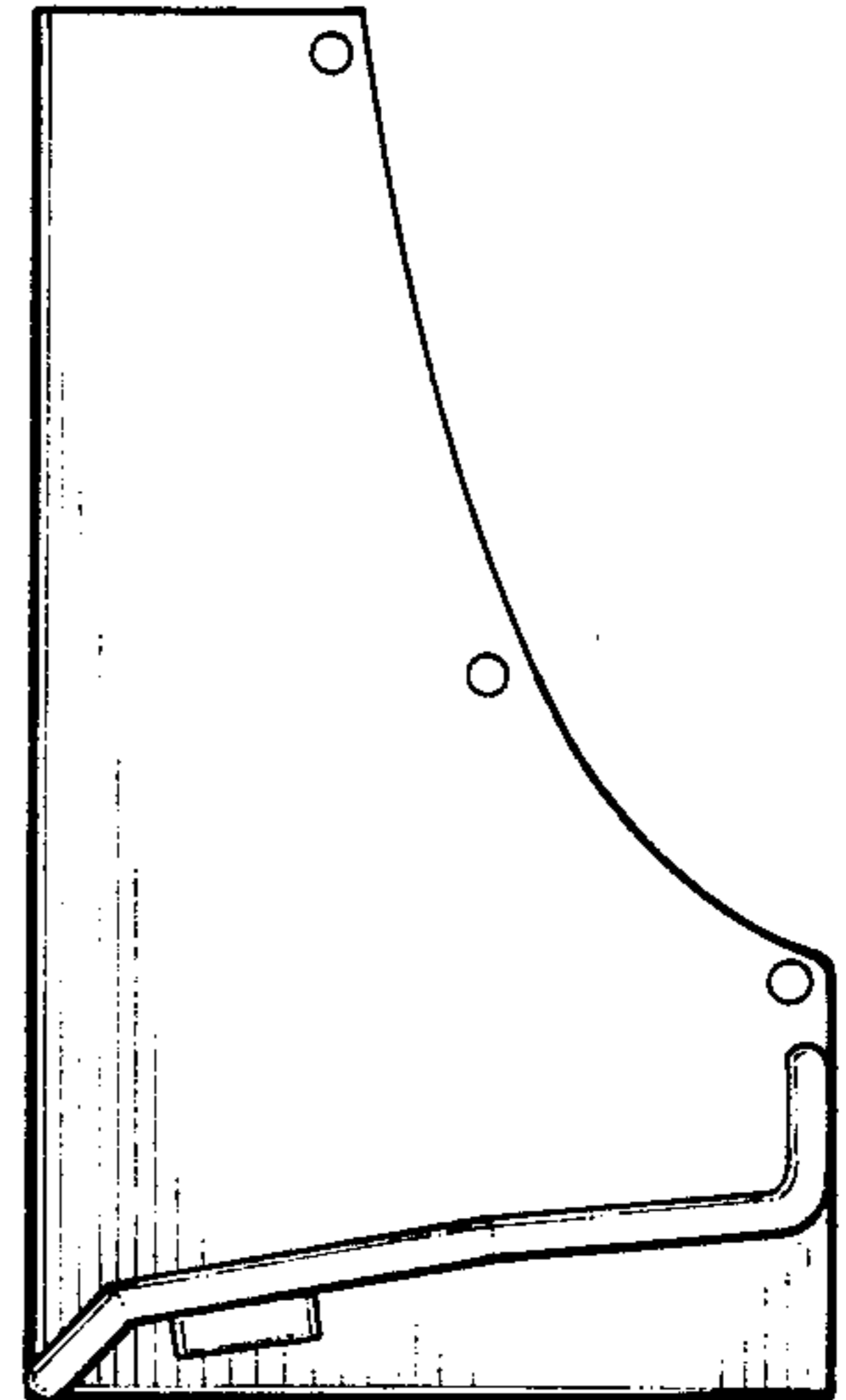


FIG. 3

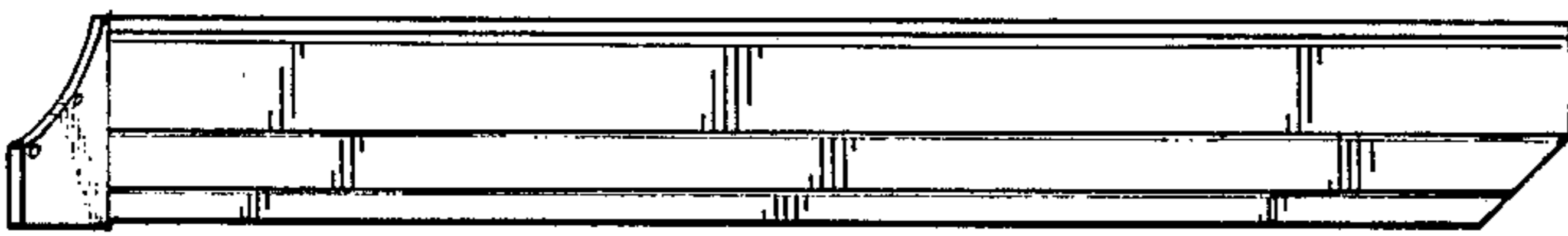


FIG. 4

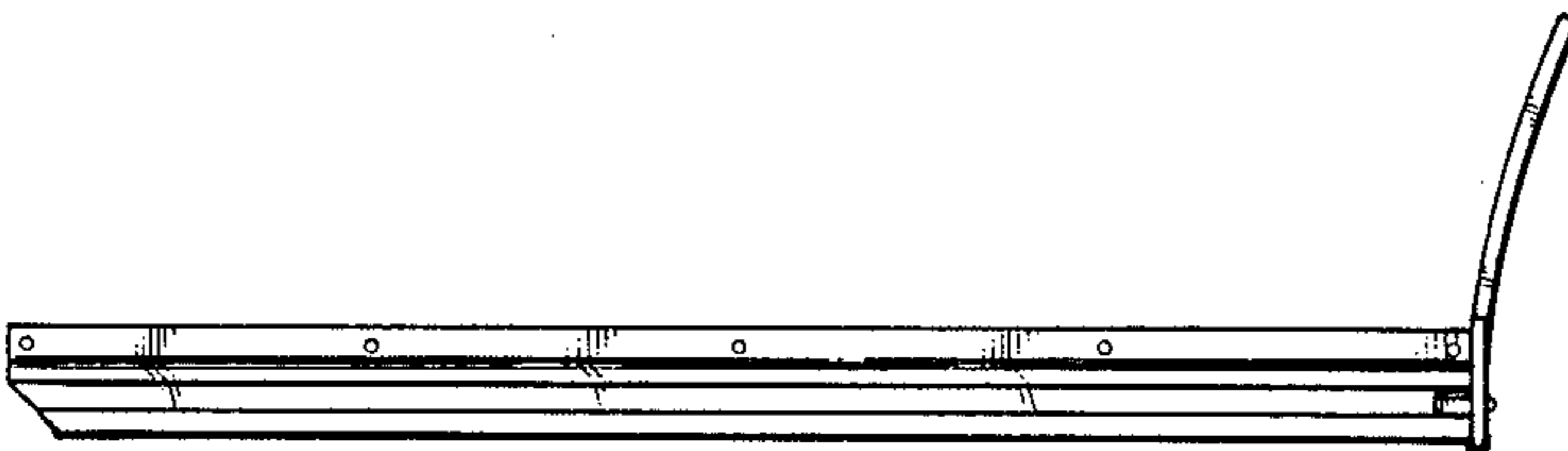


FIG. 5

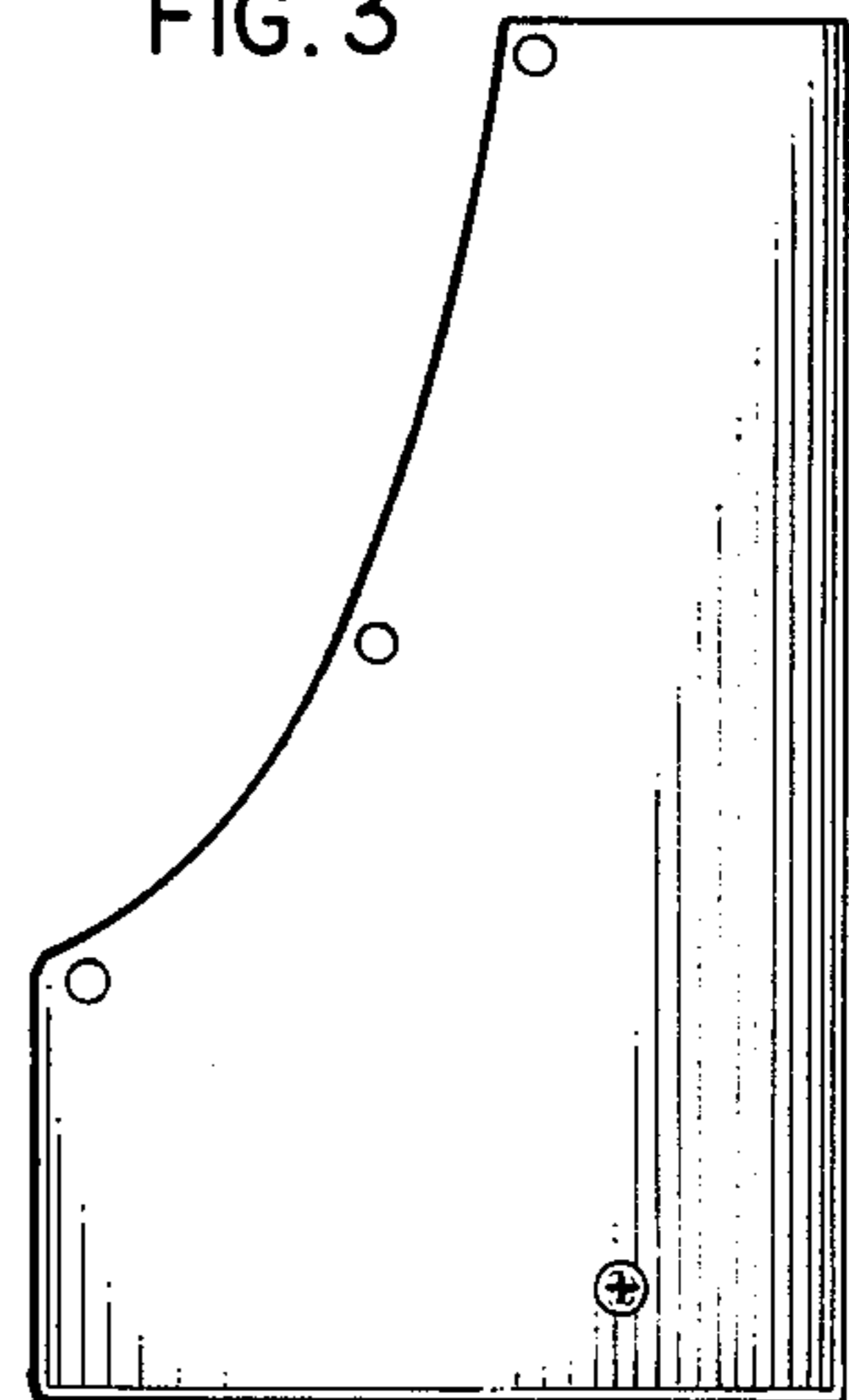


FIG. 6

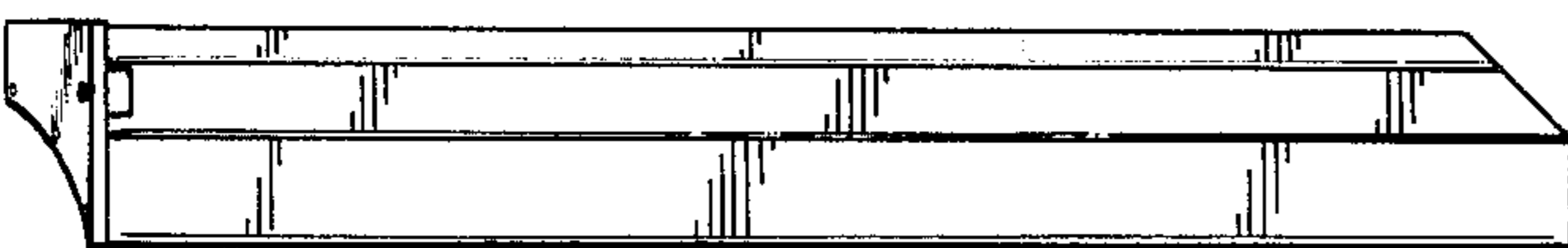


FIG. 7