

[54] WHEELCHAIR WHEEL

2,104,112	1/1938	Barratt	301/105 B
4,768,797	9/1988	Friedrich	D12/131
4,770,467	9/1988	Zinn	D12/133

[75] Inventor: Ralph P. Jones, Camarillo, Calif.

[73] Assignee: Everest & Jennings, Inc., Camarillo, Calif.

Primary Examiner—Wallace R. Burke
Assistant Examiner—Kay H. Chin
Attorney, Agent, or Firm—Kelly Bauersfeld & Lowry

[**] Term: 14 Years

[21] Appl. No.: 904,250

[57] CLAIM

[22] Filed: Sep. 8, 1986

The ornamental design for a wheelchair wheel, as shown and described.

Related U.S. Application Data

DESCRIPTION

[63] Continuation-in-part of Ser. No. 789,459, Oct. 21, 1985, abandoned.

FIG. 1 is a perspective view of the wheel chair wheel showing my new design, the broken lines are for illustrative purposes only and form no part of the claimed design;

[52] U.S. Cl. D12/133; D12/131; D12/211

FIG. 2 is an outboard side elevation view thereof; FIG. 3 is an end elevational view thereof, the opposite end elevational view being a mirror image of that shown;

[58] Field of Search D12/131, 132, 133, 205, D12/211; 301/63 PW, 105 R, 105 B, 65

FIG. 4 is an inboard side elevation view thereof; FIG. 5 is an enlarged fragmentary sectional view thereof, taken along the line 5—5 of FIG. 2; and FIG. 6 is an enlarged fragmentary exploded view of a portion of the outer rim thereof.

[56] References Cited

U.S. PATENT DOCUMENTS

D. 214,620	7/1969	Barris	D12/211
D. 232,717	9/1974	Morris	D12/205
D. 244,272	5/1977	Raudman, Jr. et al.	D12/205
1,090,743	3/1914	Morat	301/65

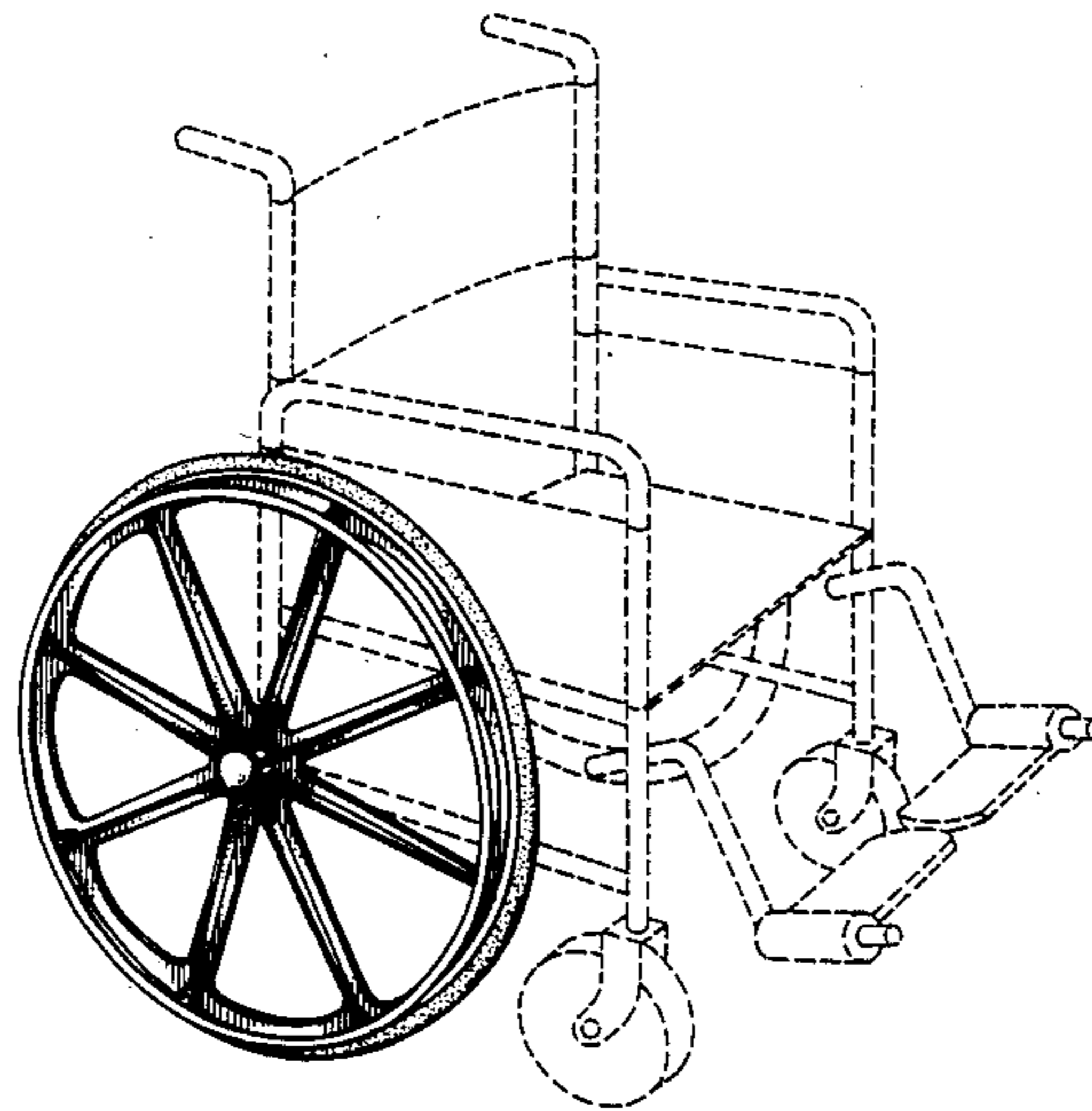


FIG. 1

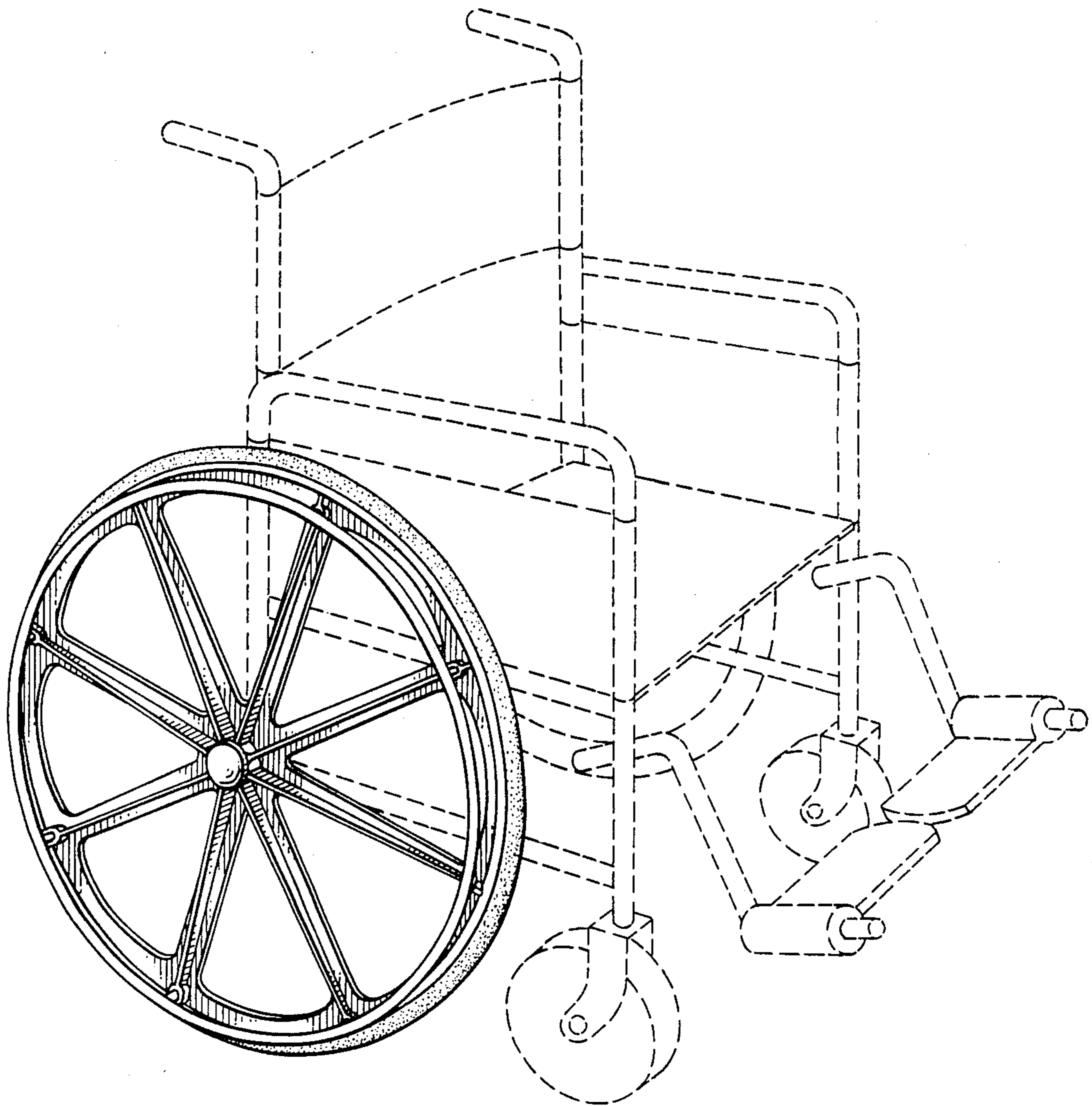


FIG. 2

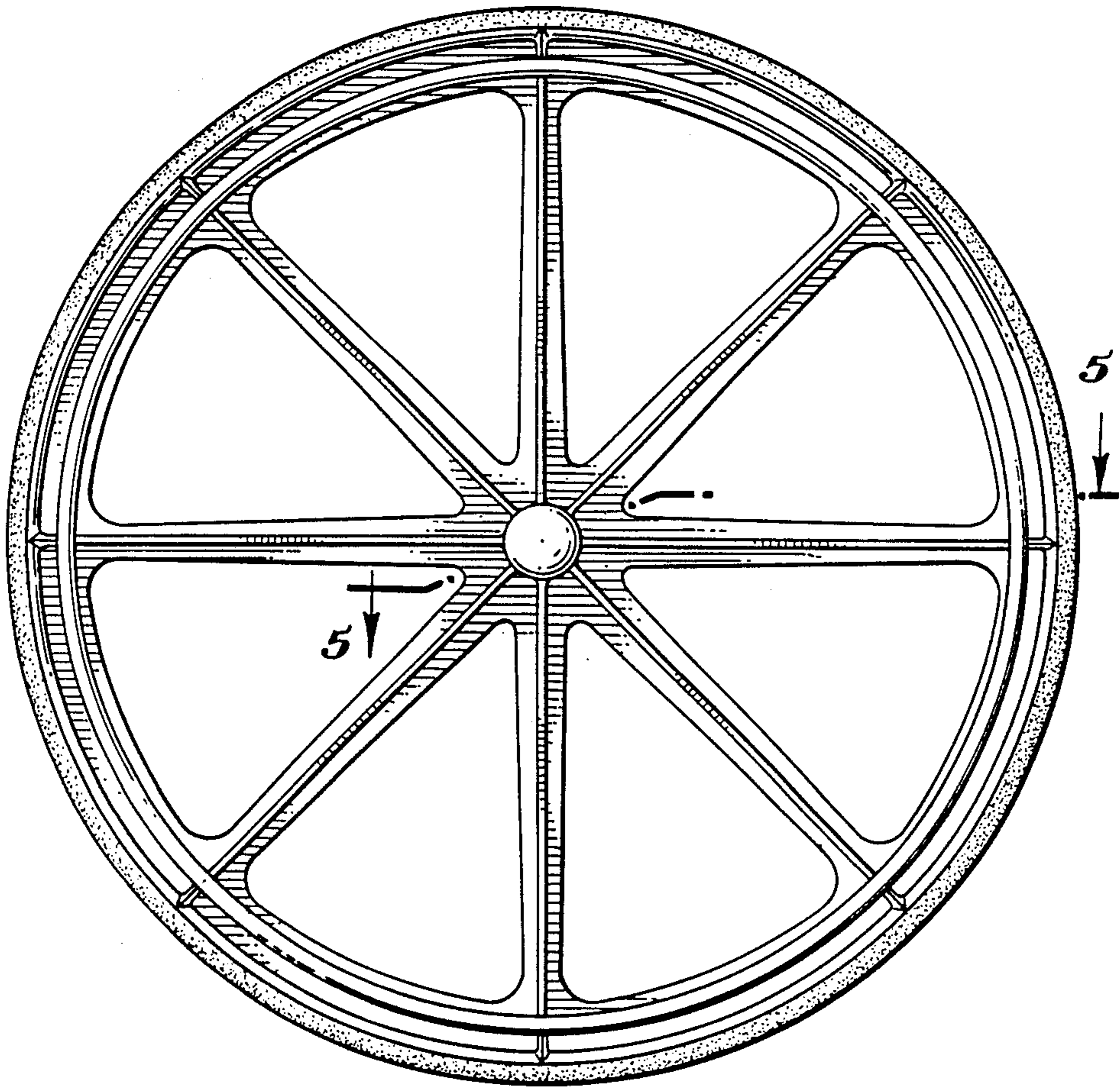


FIG. 3

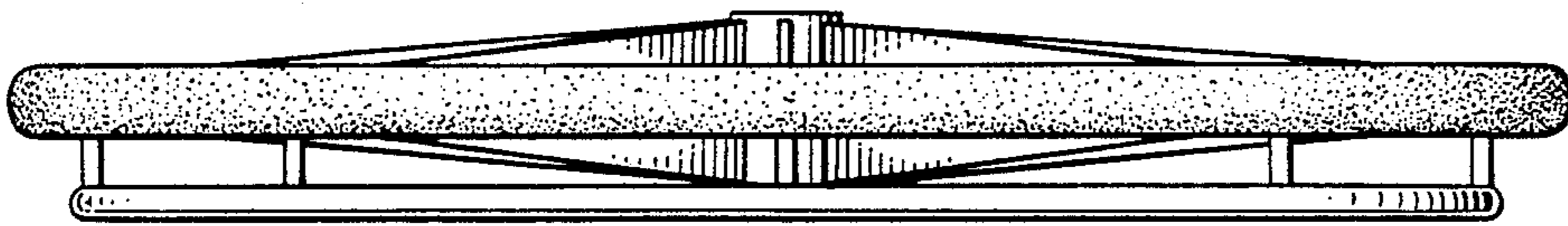


Fig. 4

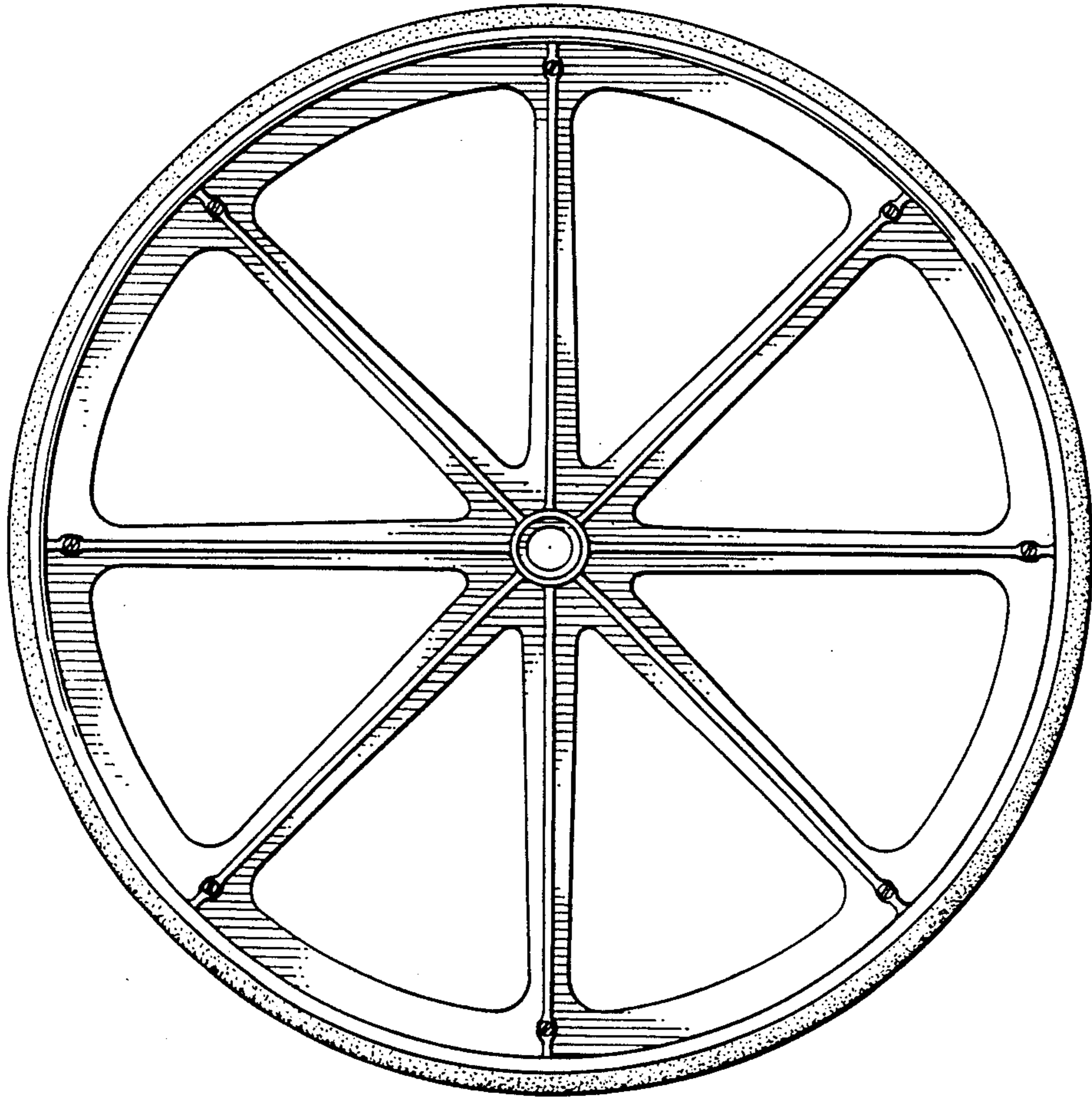
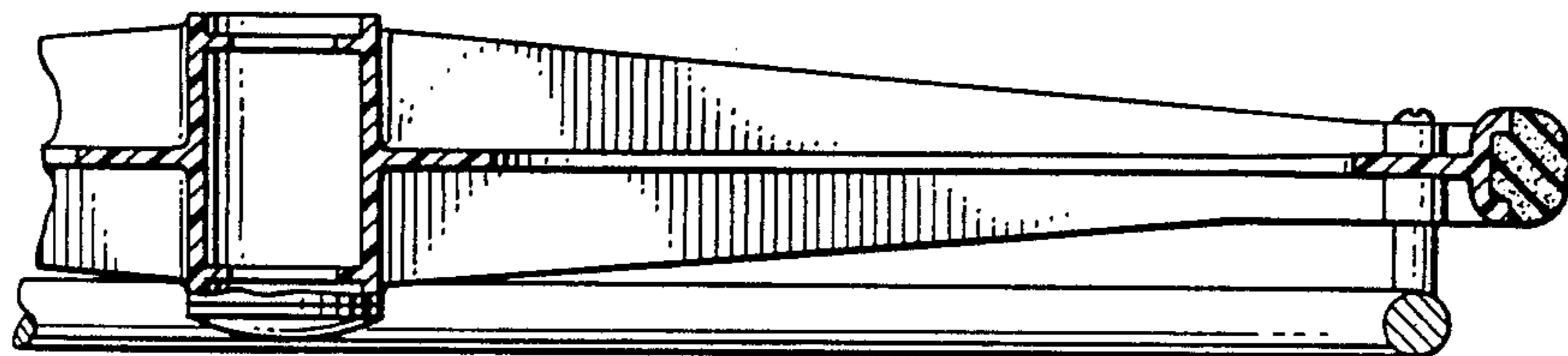


Fig. 5



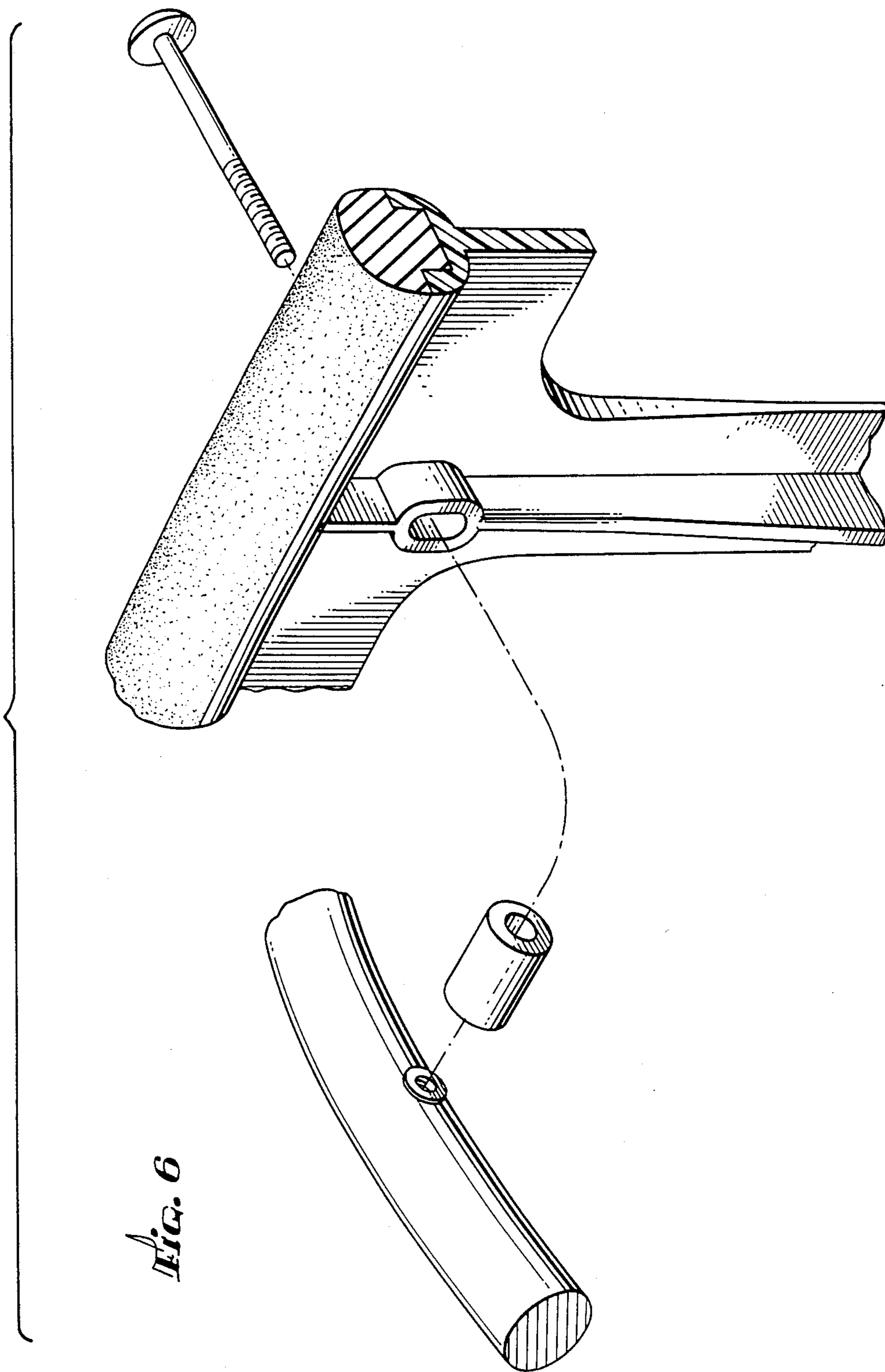


Fig. 6