

[54] MAT MARKING AND GUIDE DEVICE

4,038,751 8/1977 Albright ..... 33/403 X  
4,060,900 12/1977 Greenwood ..... 33/1 N X

[76] Inventor: Charles H. Carithers, Jr., 5752A  
Gallant Dr., Jackson, Miss. 39236

Primary Examiner—Nelson C. Holtje  
Attorney, Agent, or Firm—Larson and Taylor

[\*\*] Term: 14 Years

[57] CLAIM

[21] Appl. No.: 936,258

The ornamental design for a mat marking and guide device, as shown and described.

[22] Filed: Dec. 1, 1986

[52] U.S. Cl. .... D10/65; D10/62

[58] Field of Search ..... D10/61, 62, 65, 73;  
33/471, 1 N, 403, 465

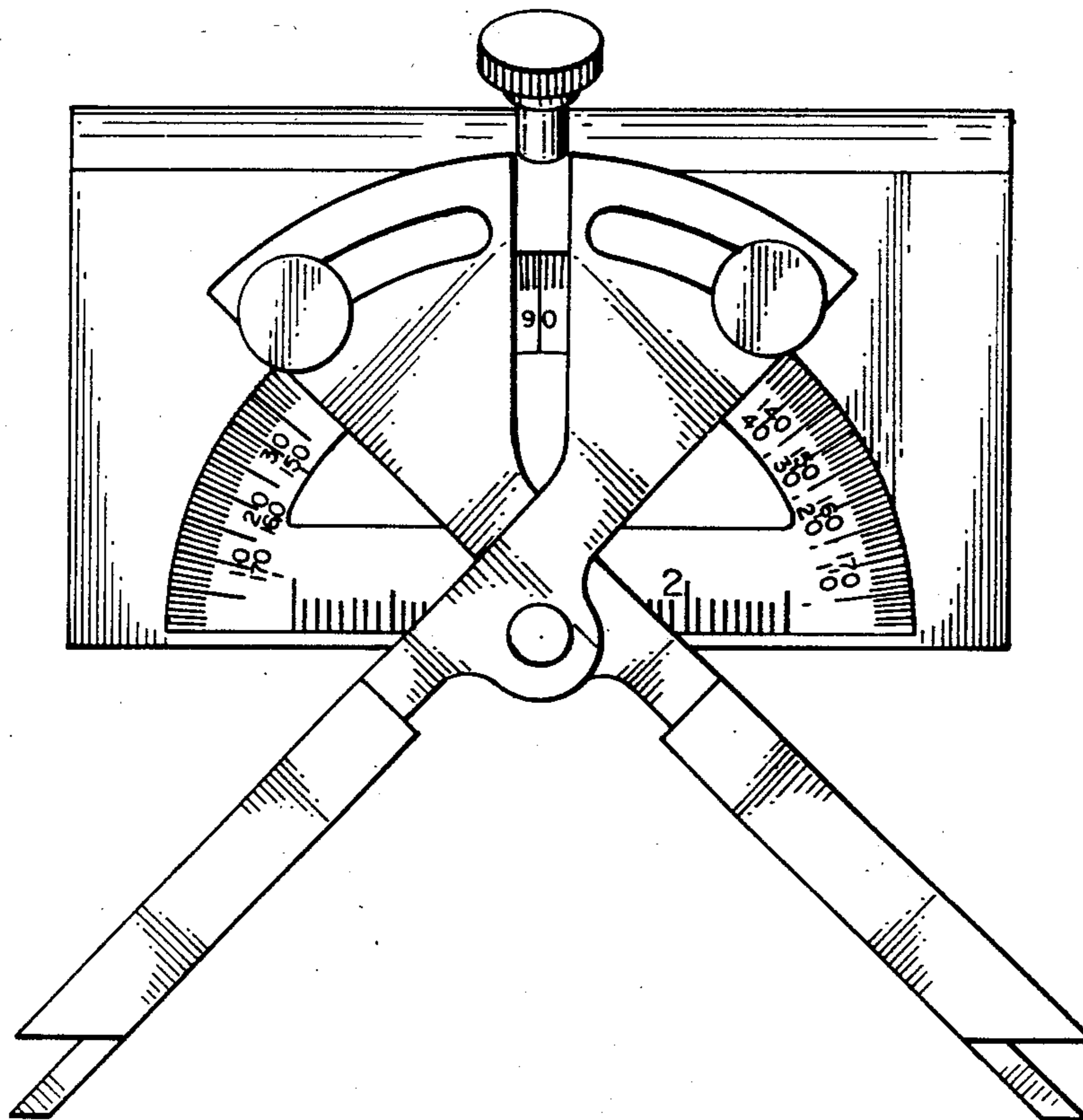
DESCRIPTION

[56] References Cited

U.S. PATENT DOCUMENTS

1,380,269 5/1921 Sumersille ..... D10/73 X  
2,278,440 4/1942 Graves ..... 33/471

FIG. 1 is a top plan view of a mat marking and guide device showing my new design;  
FIG. 2 is a front elevational view thereof;  
FIG. 3 is a right side elevational view thereof;  
FIG. 4 is a rear elevational view thereof;  
FIG. 5 is a left side elevational view thereof; and  
FIG. 6 is a bottom plan view thereof.



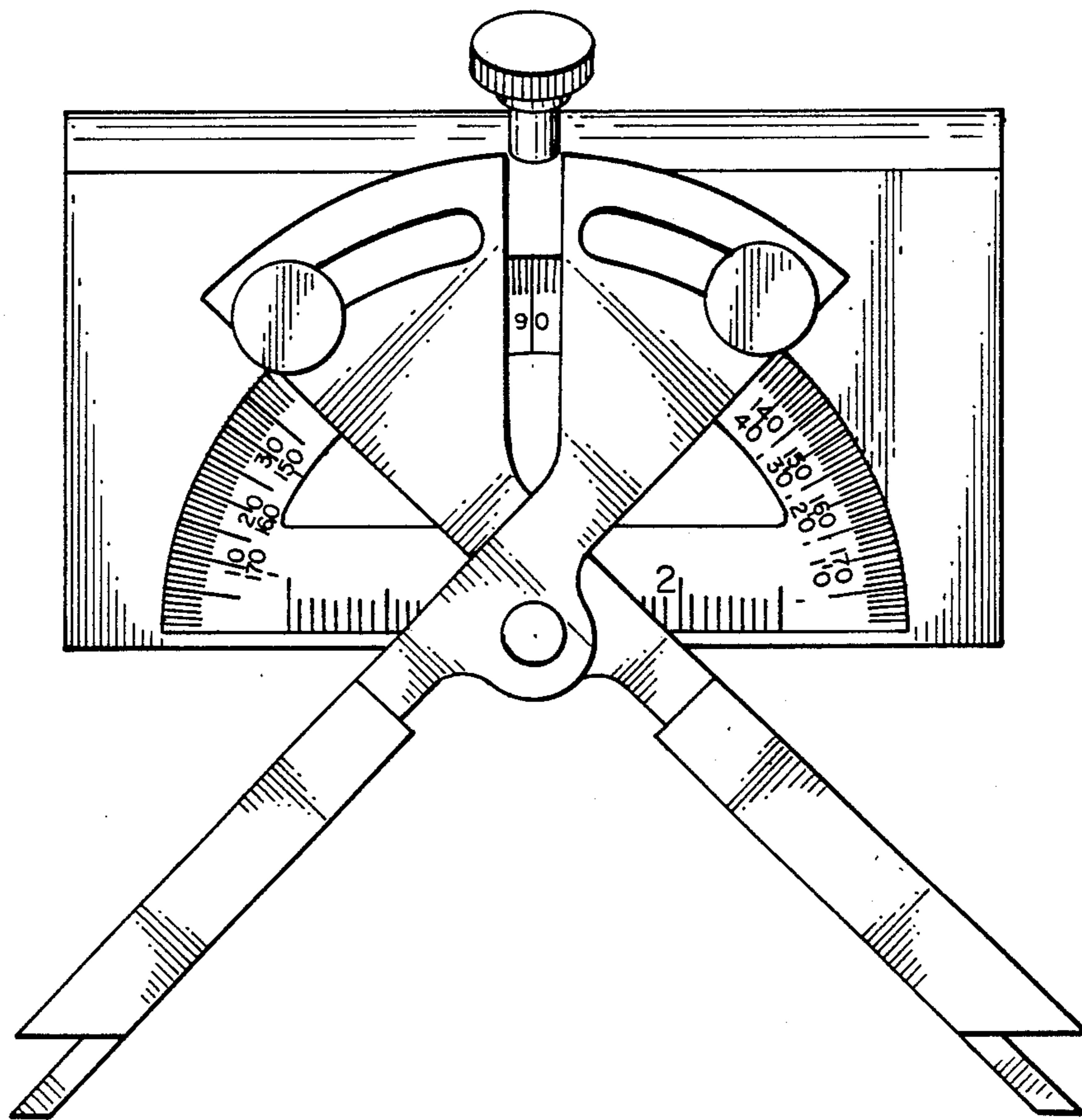


FIG. 1

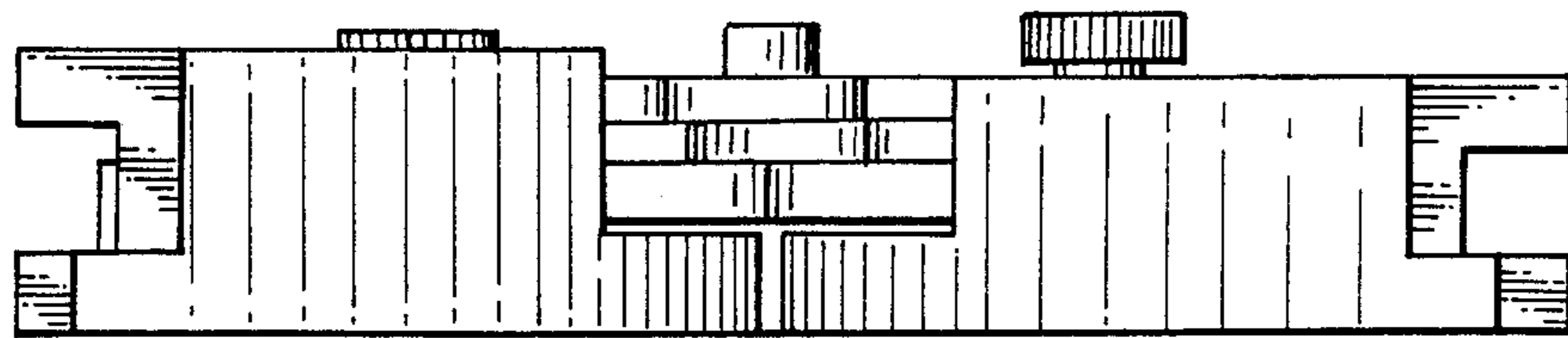


FIG. 2

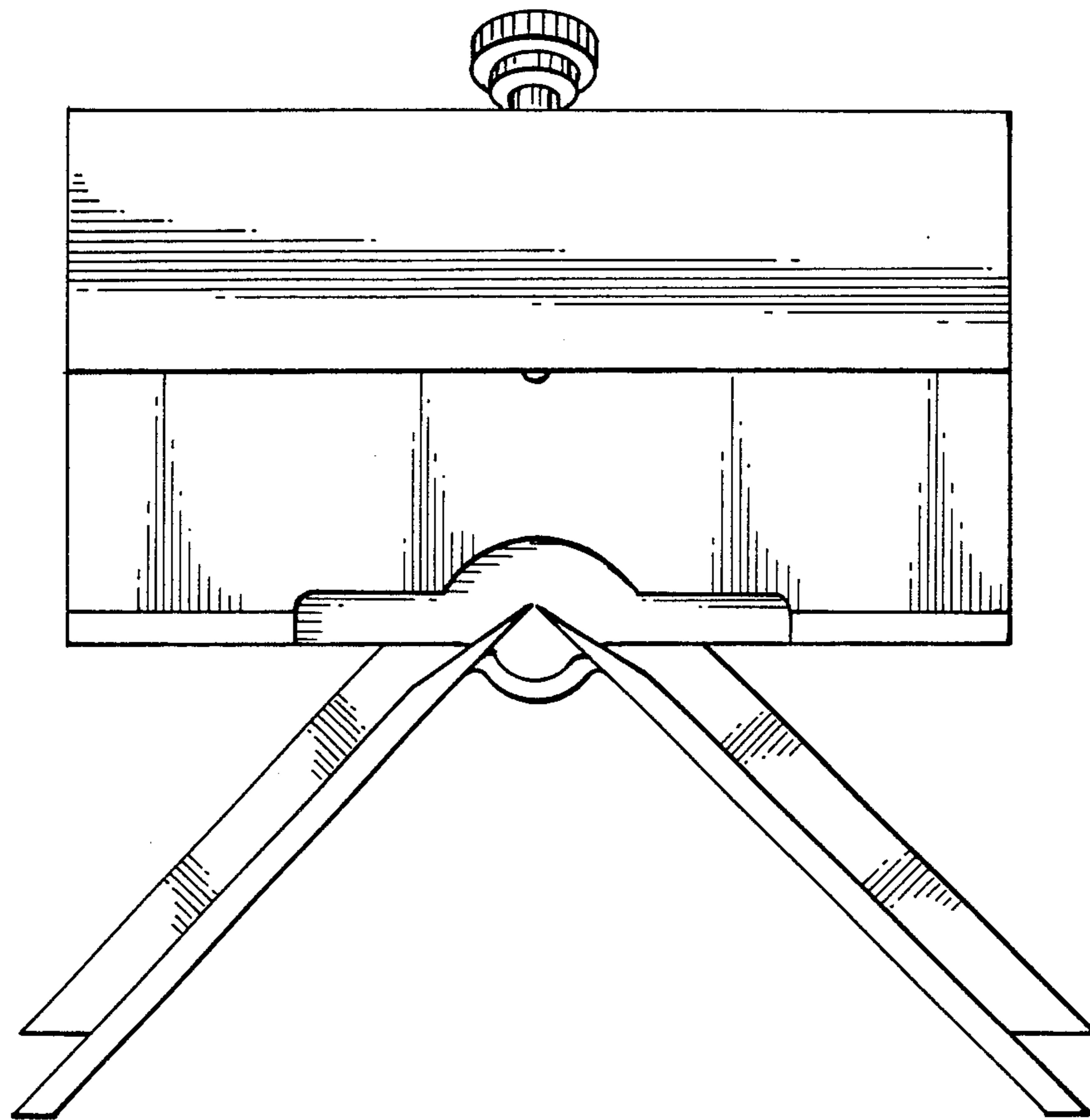


FIG. 6

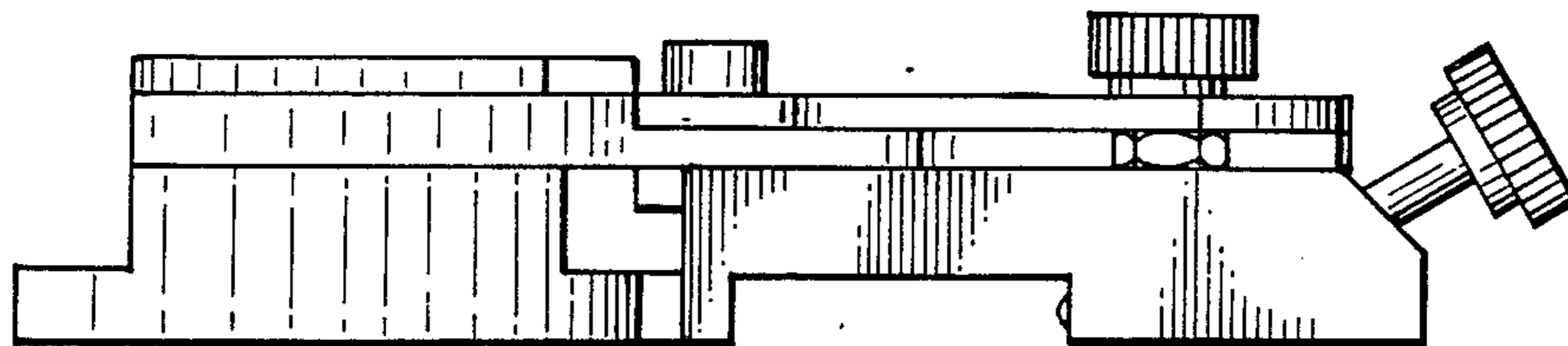


FIG. 3

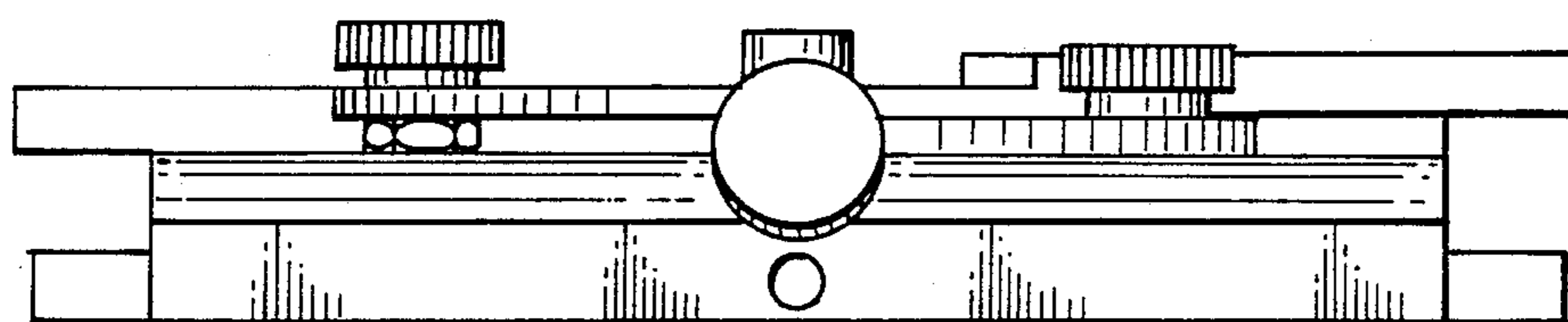


FIG. 4

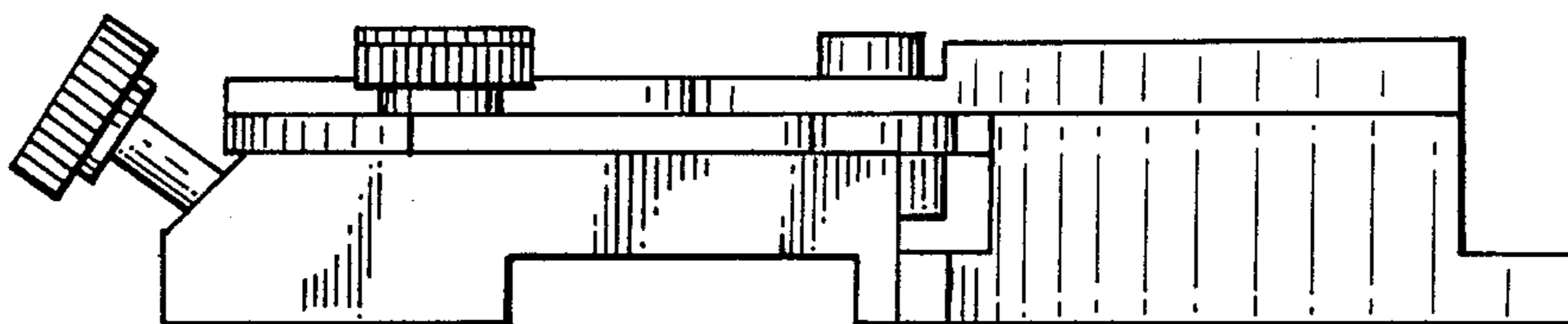


FIG. 5