

[54] **QUARTZ DIGITAL CLOCK WITH PULL OUT BRACKET AND UNIVERSAL MOUNT**

D. 290,371 6/1987 Slayer D10/15 X
2,434,860 1/1948 Oxley D6/314

[75] **Inventor: Marc R. Iacovelli, Miami, Fla.**

[73] **Assignee: Rally Manufacturing, Inc., Miami, Fla.**

[**] **Term: 14 Years**

[21] **Appl. No.: 938,753**

[22] **Filed: Dec. 5, 1986**

[52] **U.S. Cl. D10/15; D10/18**

[58] **Field of Search D10/2, 15, 18;
368/82-84, 276-277, 316-317, 239-242, 285,
280-282; D6/310, 314; D14/170-171**

[56] **References Cited**

U.S. PATENT DOCUMENTS

- D. 147,747 10/1947 Golden D6/314
- D. 274,703 7/1984 Vogel D10/15
- D. 281,675 12/1985 Rapp D10/15
- D. 282,912 3/1986 Clepea D10/6

OTHER PUBLICATIONS

European Jeweler, 2/10, p. 116-Clock at left.

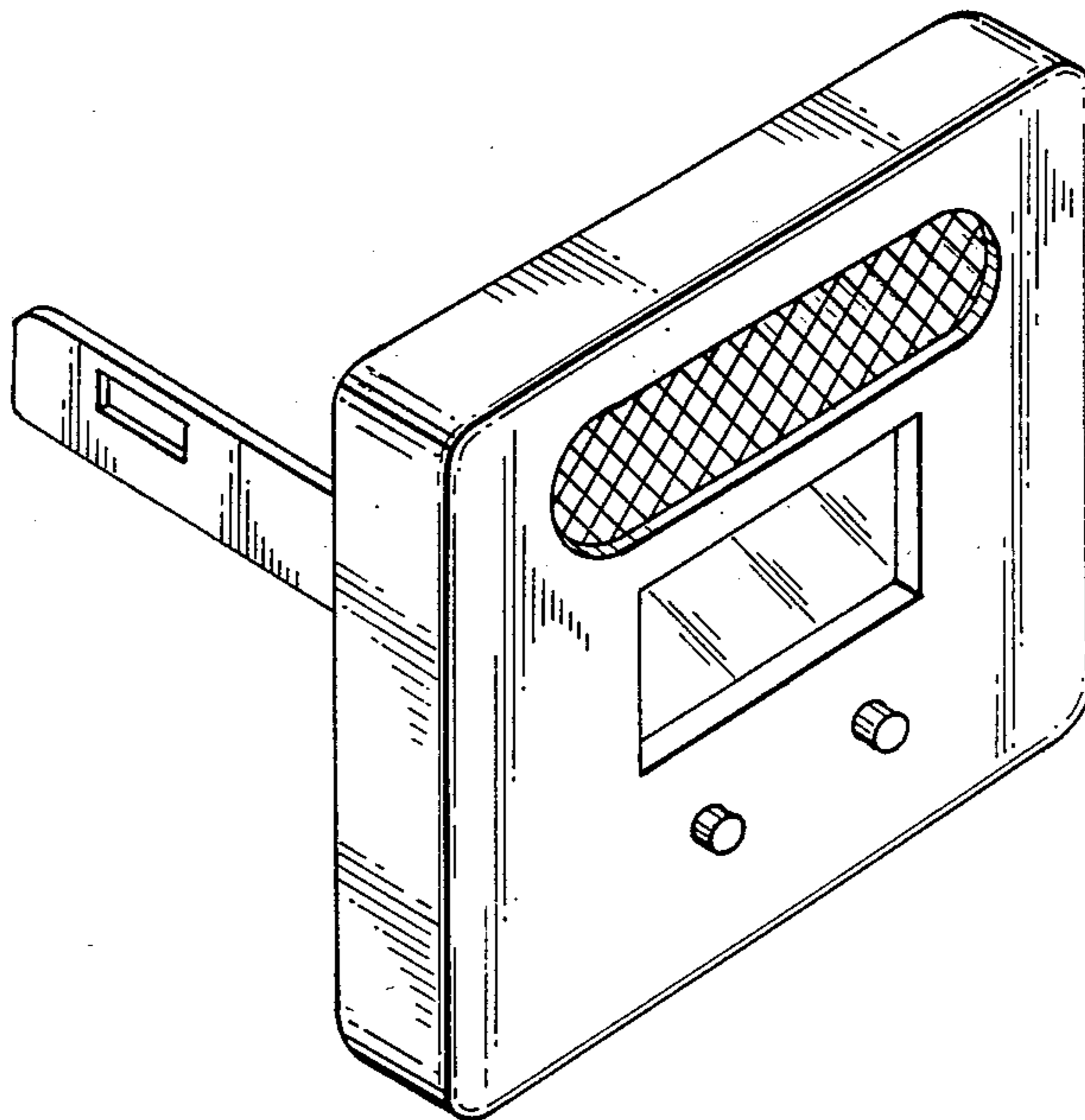
Primary Examiner—Nelson C. Holtje
Attorney, Agent, or Firm—Wells & White

[57] **CLAIM**

The ornamental design for quartz digital clock with pull out bracket and universal mount, as shown.

DESCRIPTION

FIG. 1 is a right front perspective view of a quartz digital clock with pull out bracket and universal mount showing my new design;
 FIG. 2 is a front elevational view thereof;
 FIG. 3 is a left side elevational view thereof, the right side view being a mirror image thereof;
 FIG. 4 is a rear elevational view thereof;
 FIG. 5 is a top plan view thereof;
 FIG. 6 is a bottom plan view thereof.



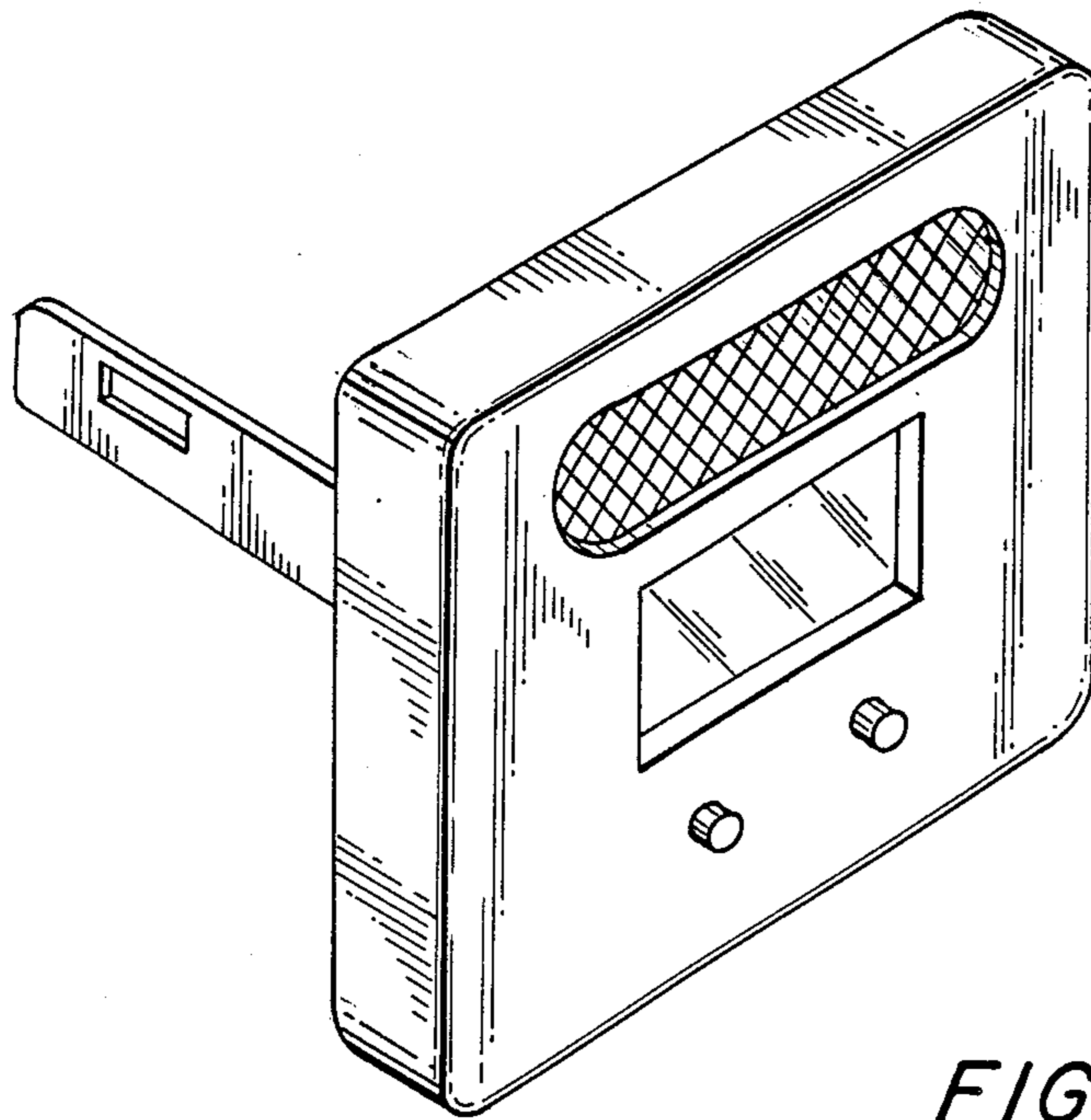


FIG. 1

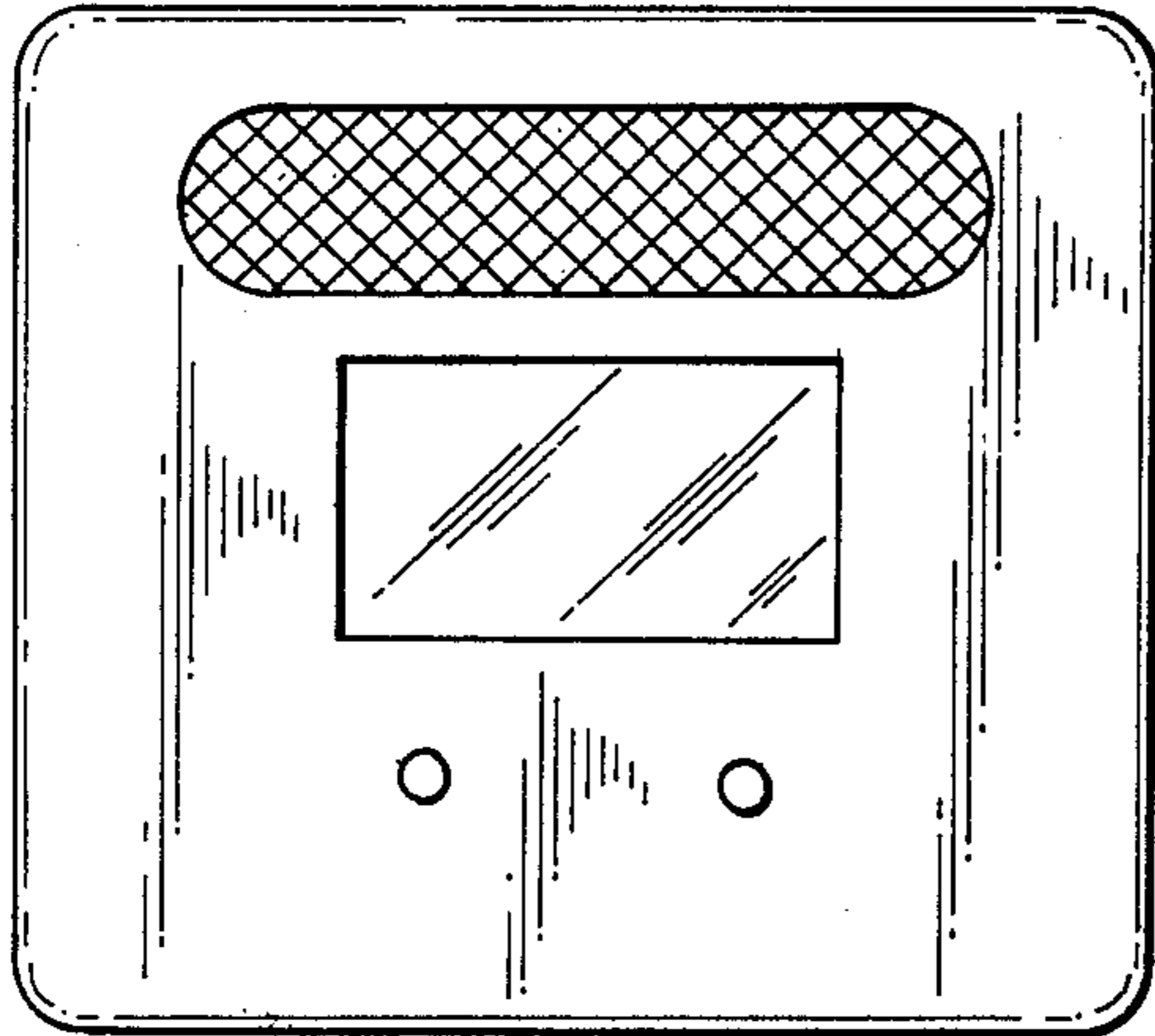


FIG. 2

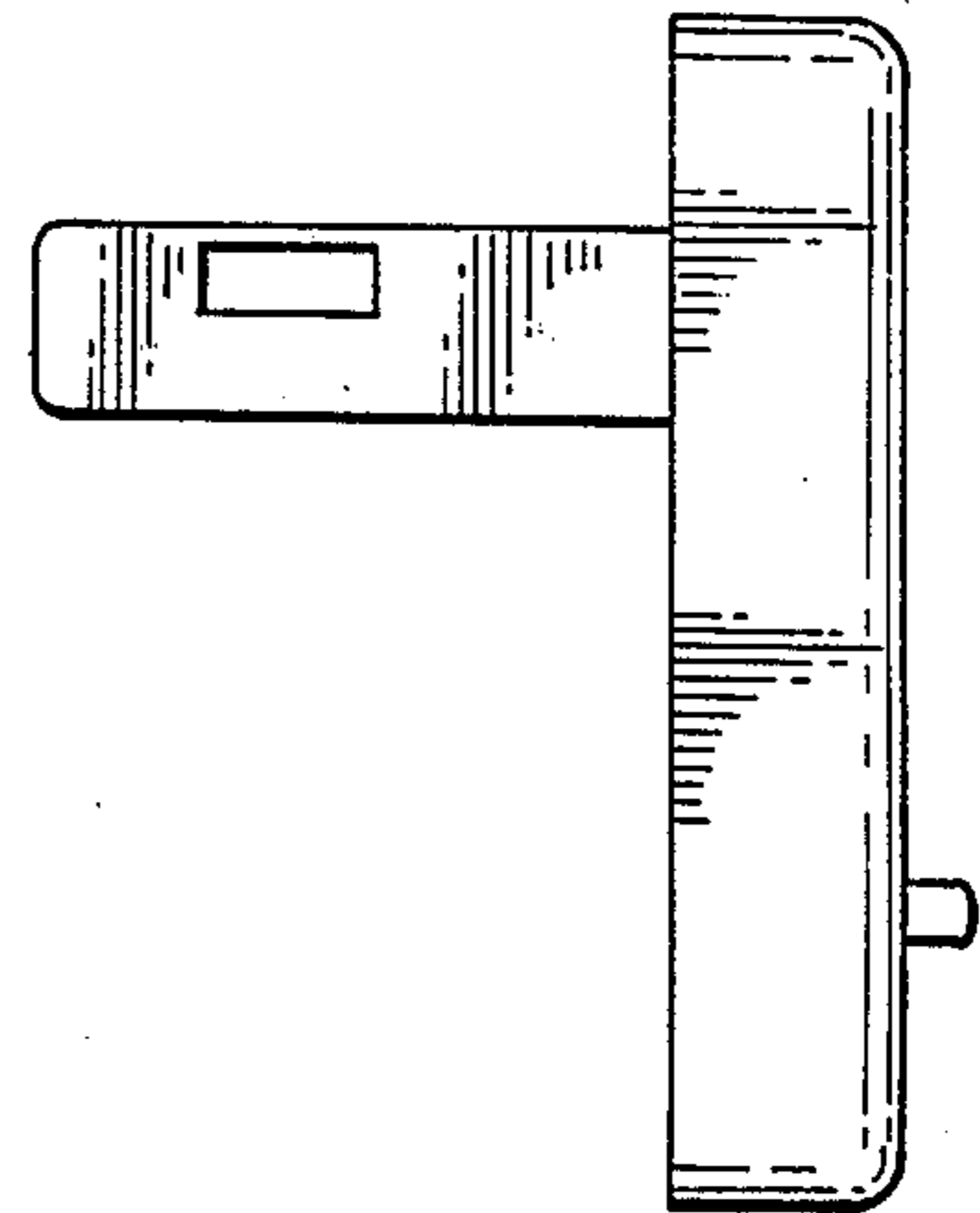


FIG. 3

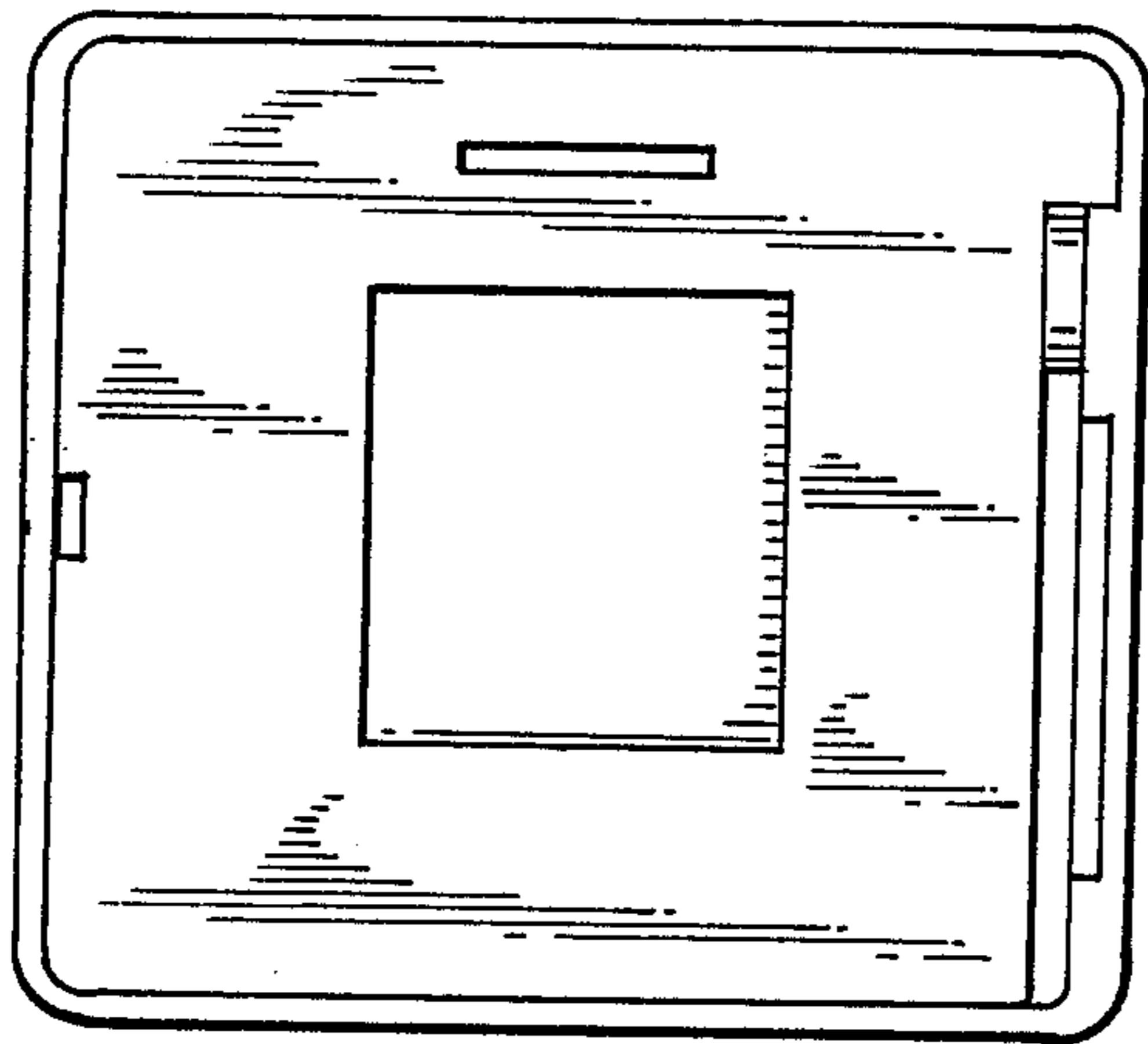


FIG. 4

FIG. 5

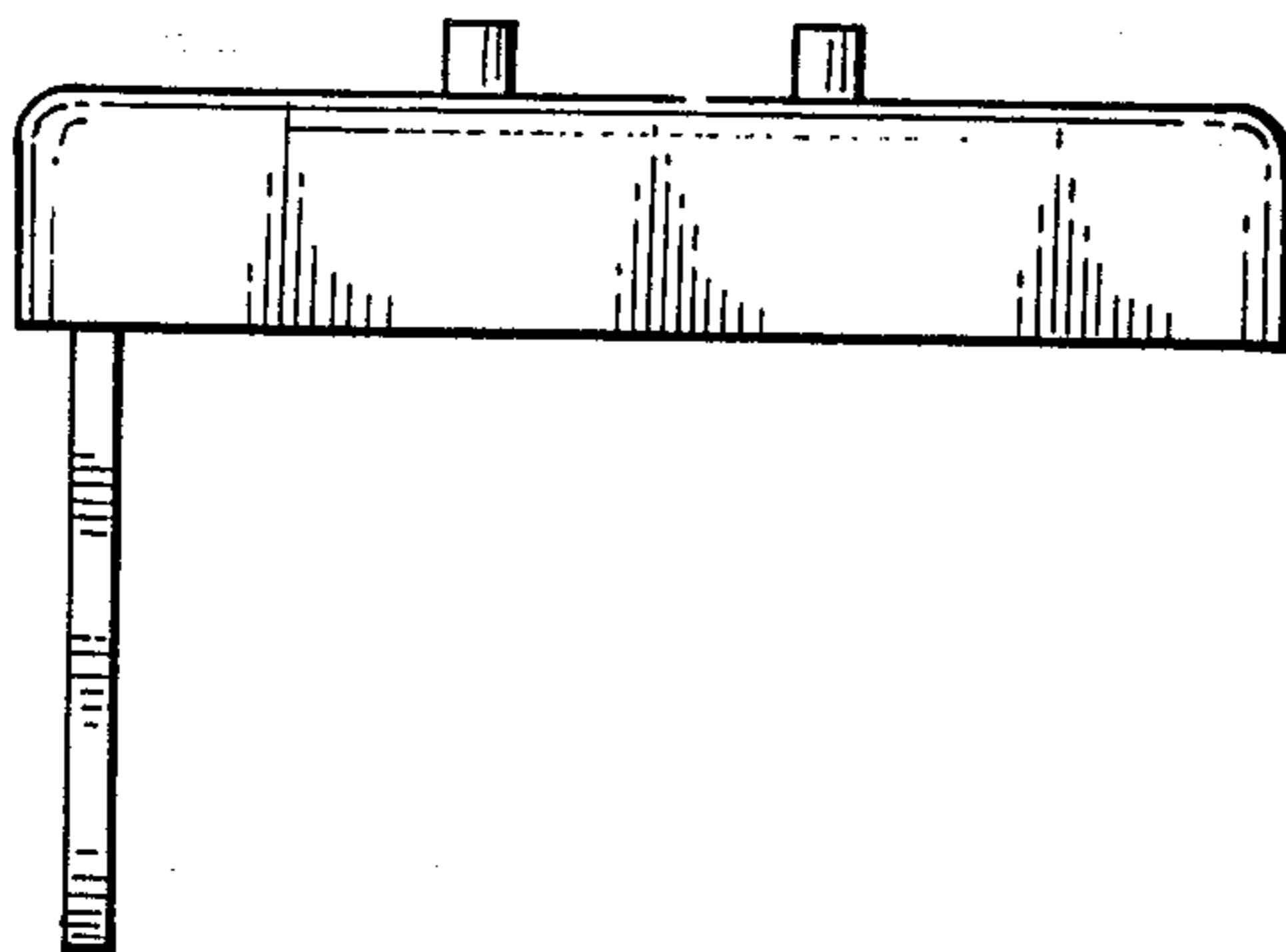
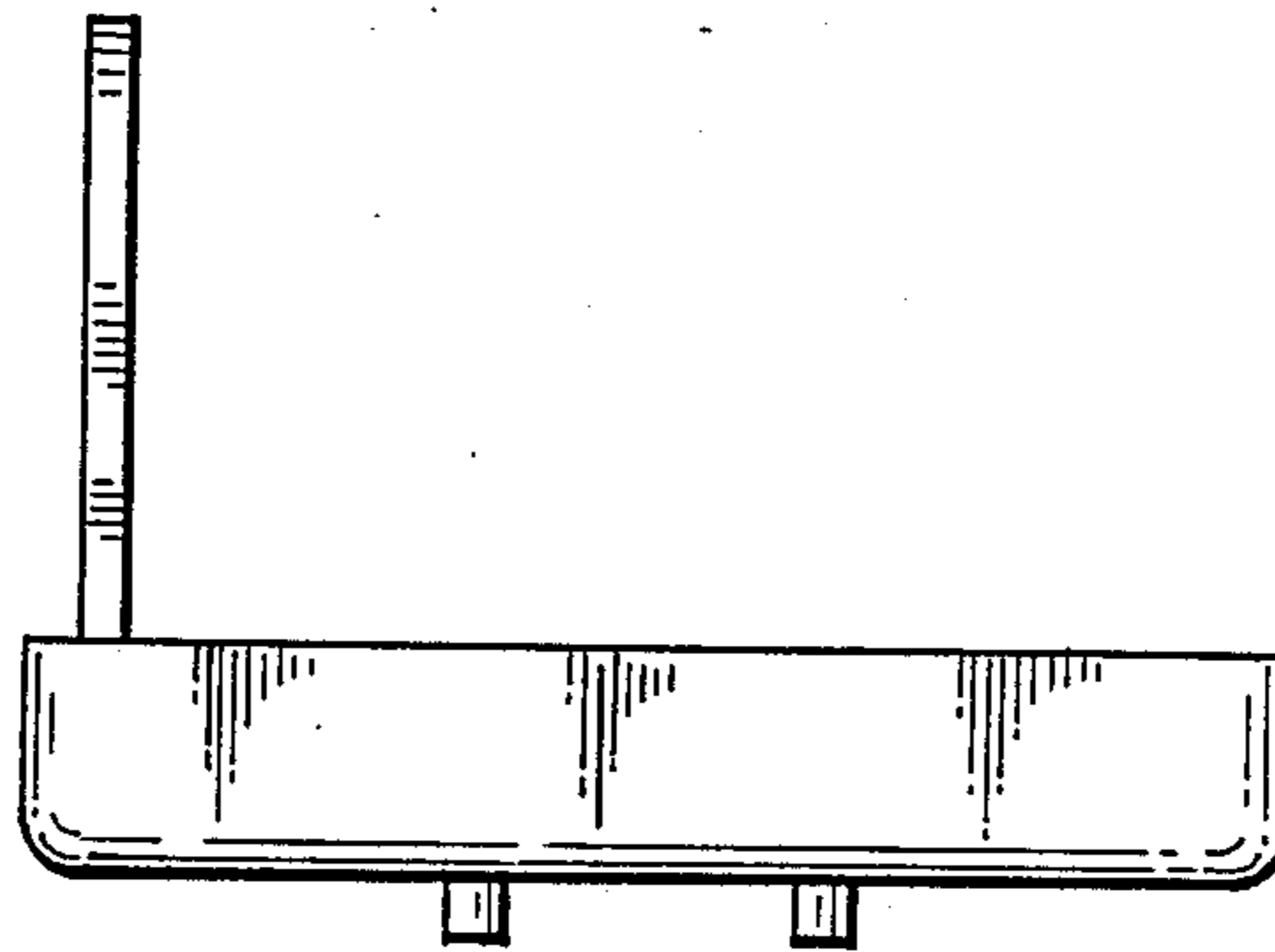


FIG. 6