

United States Patent [19]

Mednis

[11] Patent Number: **Des. 304,806**

[45] Date of Patent: **** Nov. 28, 1989**

[54] **BOTTLE**

[75] Inventor: **Juris M. Mednis, Howell, N.J.**

[73] Assignee: **Universal Symetrics Corporation,
Howell, N.J.**

[**] Term: **14 Years**

[21] Appl. No.: **38,596**

[22] Filed: **Apr. 15, 1987**

[52] U.S. Cl. **D9/376; D9/380**

[58] Field of Search **D9/341, 347, 367, 370,
D9/373, 374, 375, 376, 378, 380, 383, 389,
403-413; 215/1 A, 1 C, 1 D; 206/503, 504, 508,
509, 510; 220/234, 236, 23.83, 23.86, DIG. 13;
222/143; 446/124**

[56] **References Cited**

U.S. PATENT DOCUMENTS

D. 113,134 1/1939 De Nero D9/408
D. 213,040 12/1968 Schaper et al. D9/367

D. 271,113 10/1983 Birkeland et al. D9/376 X
D. 284,742 7/1986 Murukurthy D9/413 X
D. 288,781 3/1987 Mednis D9/375
4,243,162 1/1981 Klygis 215/1 C X
4,573,595 3/1986 Mednis 222/143 X

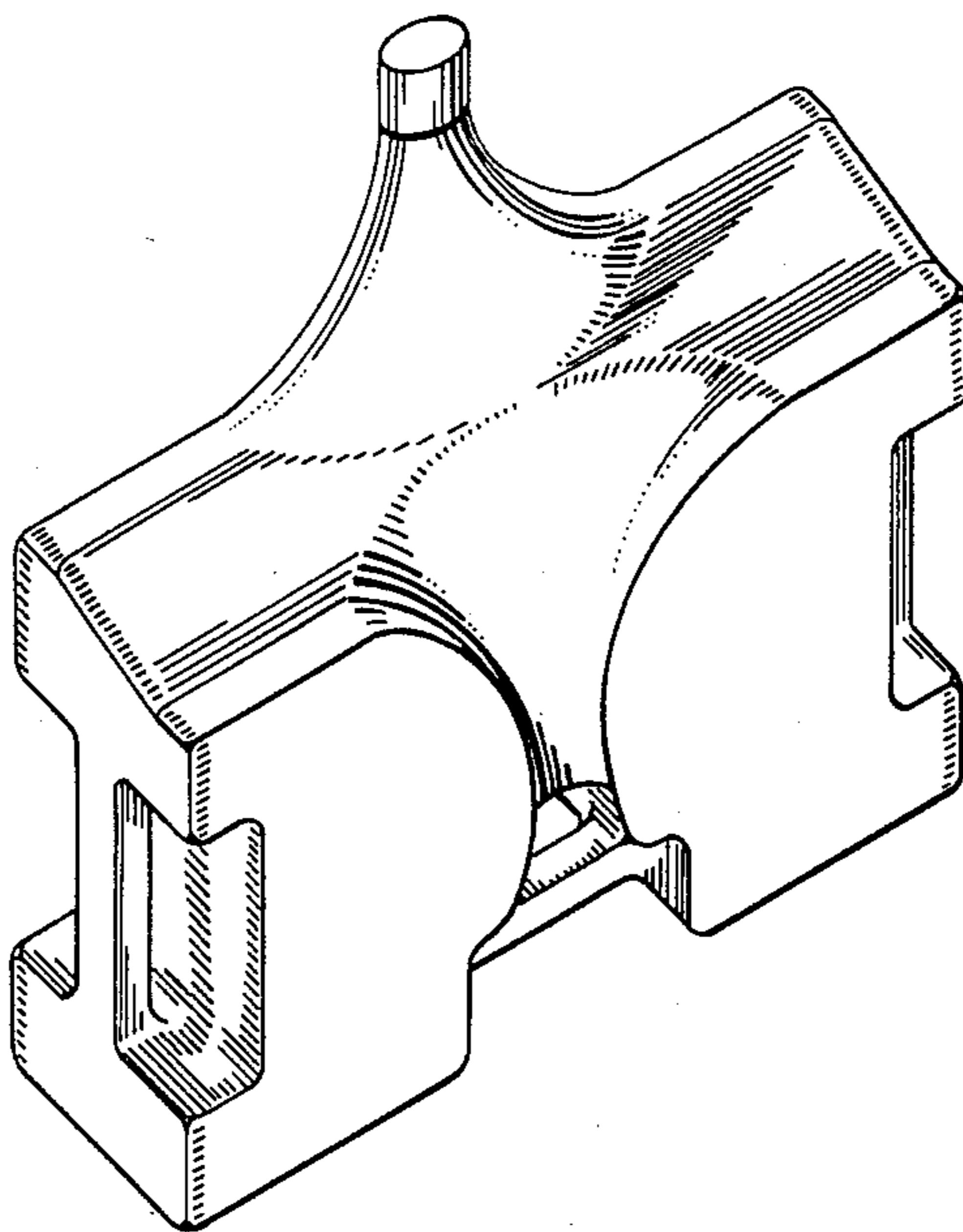
Primary Examiner—Melvin B. Feifer
Assistant Examiner—Lucy Lieberman
Attorney, Agent, or Firm—Notaro & Michalos

[57] CLAIM

The ornamental design for a bottle, as shown and described.

DESCRIPTION

FIG. 1 is a front elevation view of a bottle embodying my new design;
FIG. 2 is a top view thereof;
FIG. 3 is a bottom view thereof;
FIG. 4 is a side elevation view thereof, the opposite side elevation view being identical;
FIG. 5 is a rear elevation view thereof; and
FIG. 6 is a front perspective view thereof.



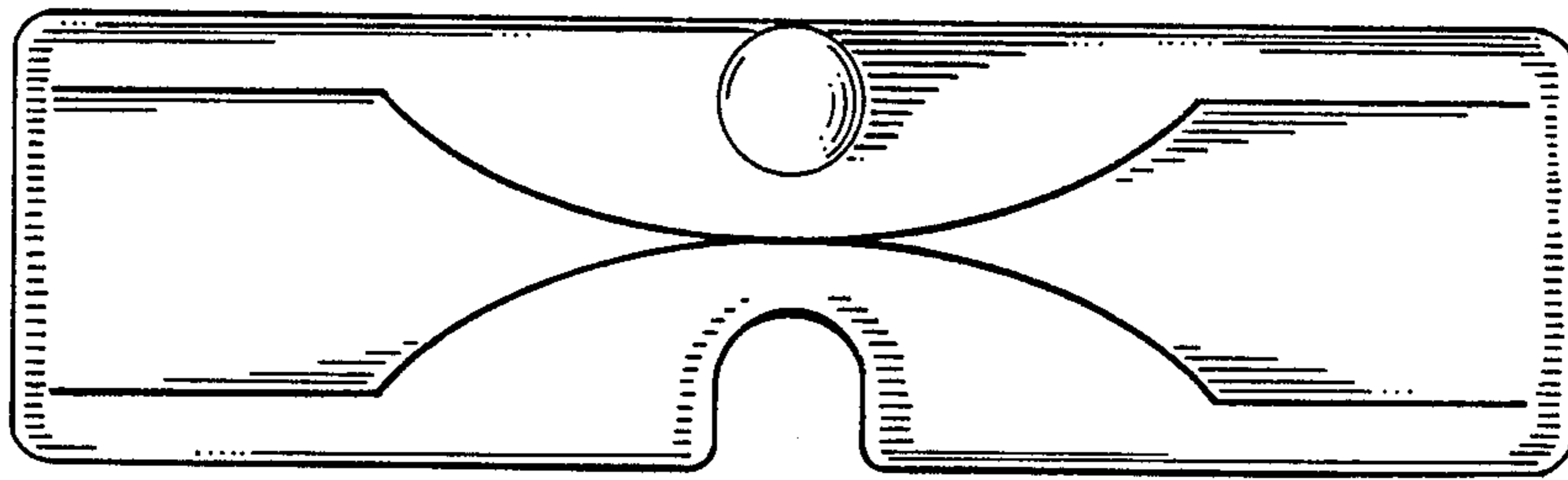


FIG. 2

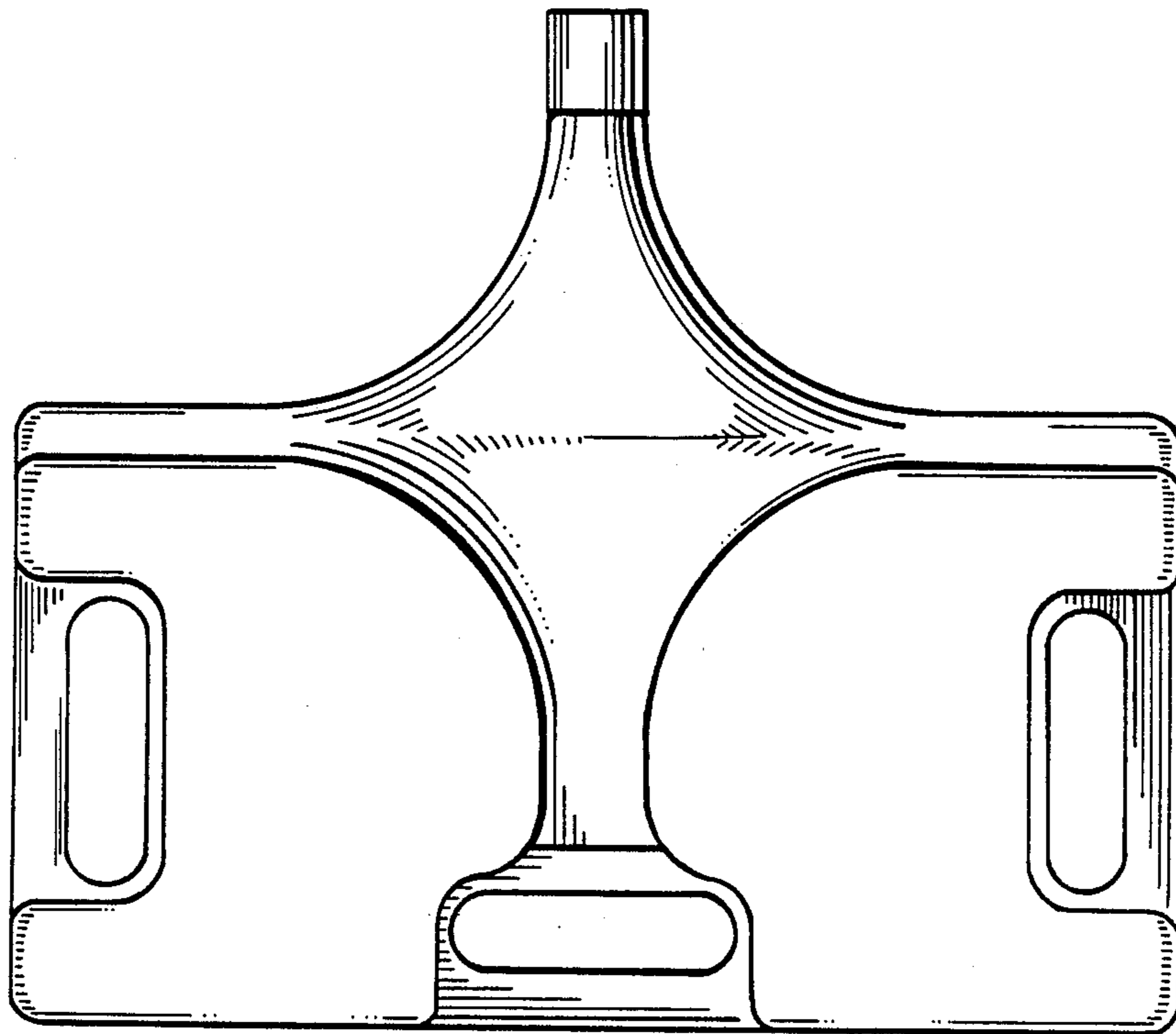


FIG. 1

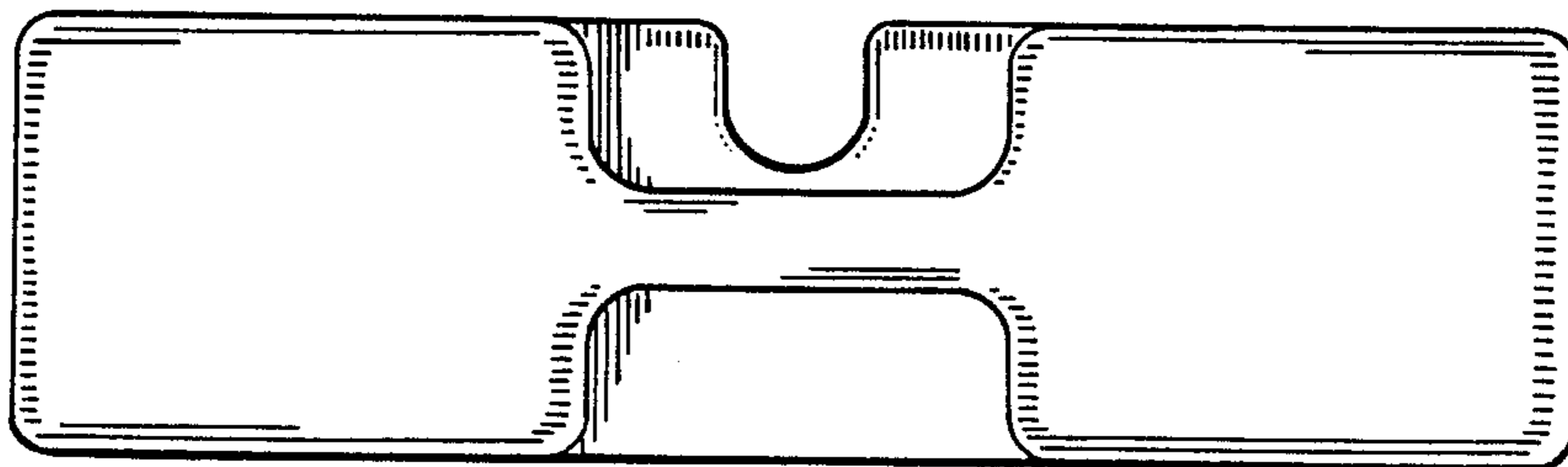


FIG. 3

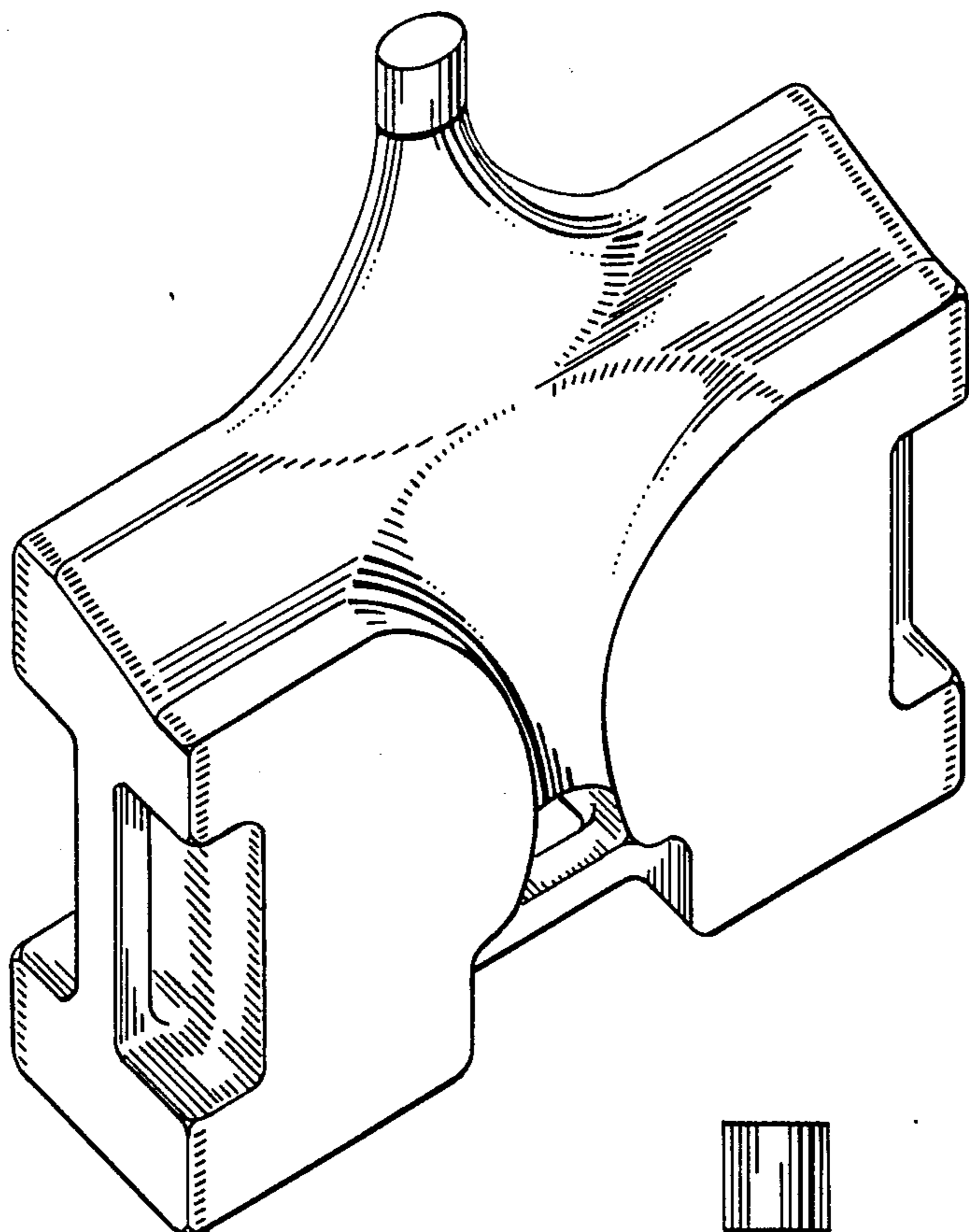


FIG. 6

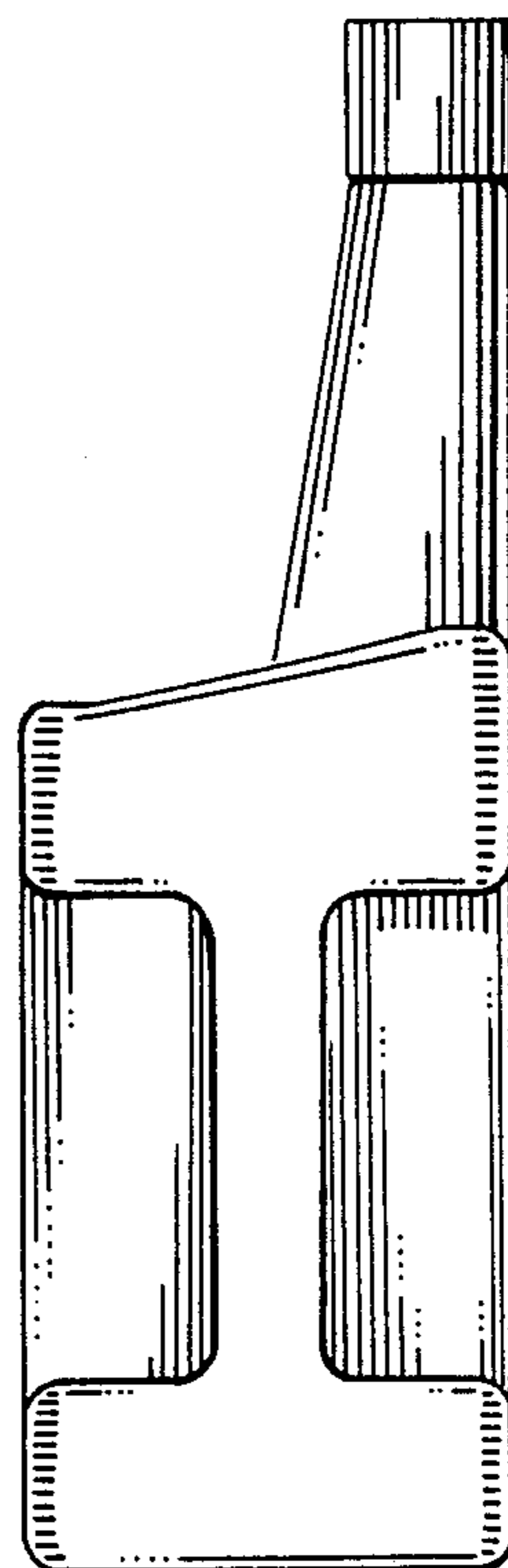


FIG. 4

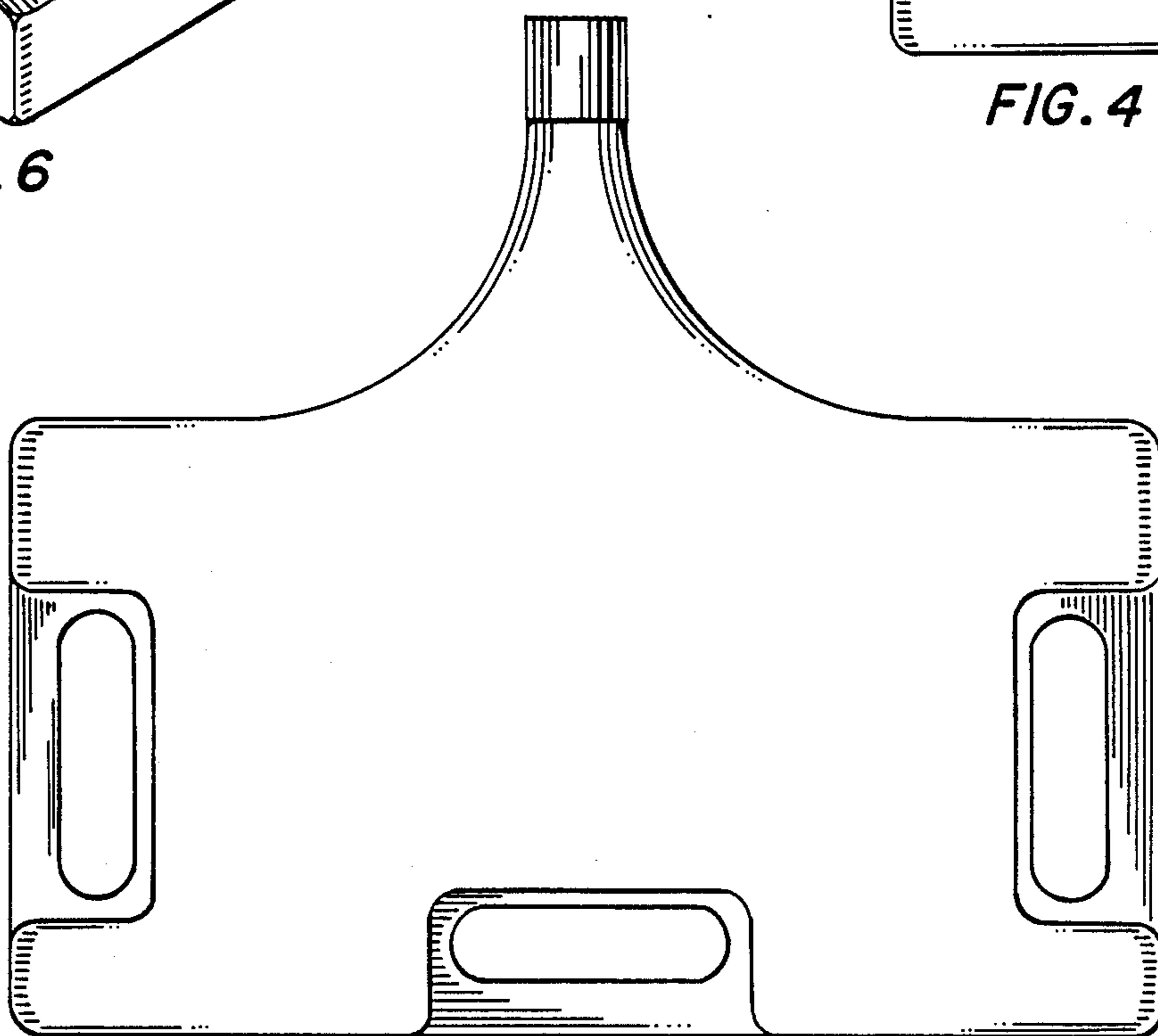


FIG. 5