

[54] **PACKAGE FOR CANDY CANES**

[75] **Inventor: Donald H. Young, Decatur, Ala.**

[73] **Assignee: Bob's Candies, Inc., Albany, Ga.**

[\*\*] **Term: 14 Years**

[21] **Appl. No.: 915,922**

[22] **Filed: Oct. 6, 1986**

[52] **U.S. Cl. .... D9/341**

[58] **Field of Search .... D9/341, 347, 348, 455;  
D8/71, 81, 85, 105; D24/31, 32; D19/75, 90,  
86; 15/435; 211/60.1, 69.1, 70.6, 62, 69;  
206/45.14, 45.19, 349, 486, 490**

[56] **References Cited**

**U.S. PATENT DOCUMENTS**

D. 255,771	7/1980	Cruz	.....	D8/71
D. 288,484	2/1987	Mitchell	.....	D24/31 X
D. 294,209	2/1988	Havelka	.....	D8/71 X
1,092,156	4/1914	Mathis	.....	211/69.6 X
2,121,307	6/1938	Swift	.....	211/70.6 X

4,155,446	5/1979	Aronson	.....	206/45.14
4,411,868	10/1983	Noack	.....	211/60.1 X
4,487,316	12/1984	Calhoun et al.	.....	211/60.1 X

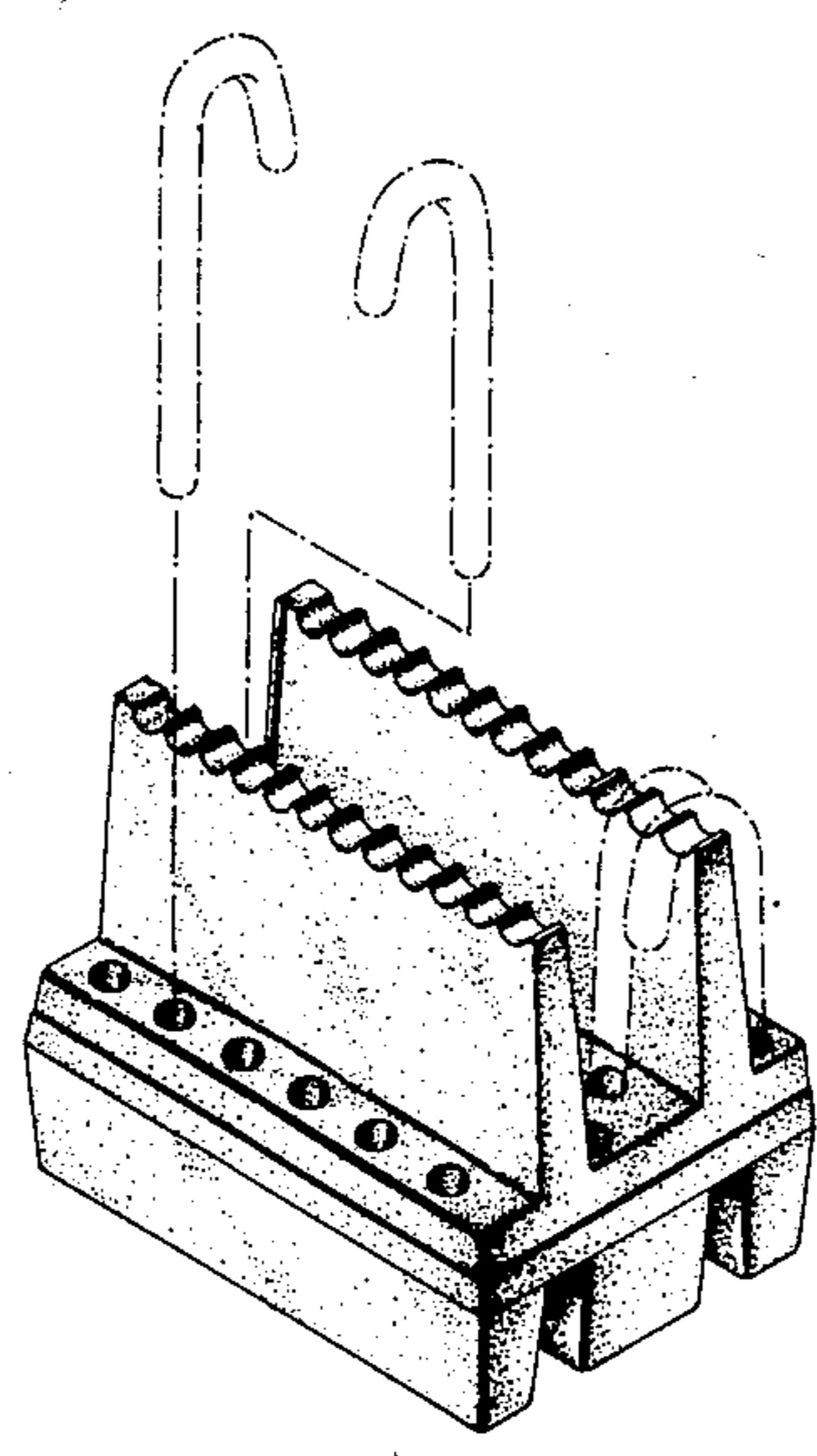
*Primary Examiner*—Bernard Ansher  
*Assistant Examiner*—Prabhakar Deshmukh  
*Attorney, Agent, or Firm*—Mason, Fenwick & Lawrence

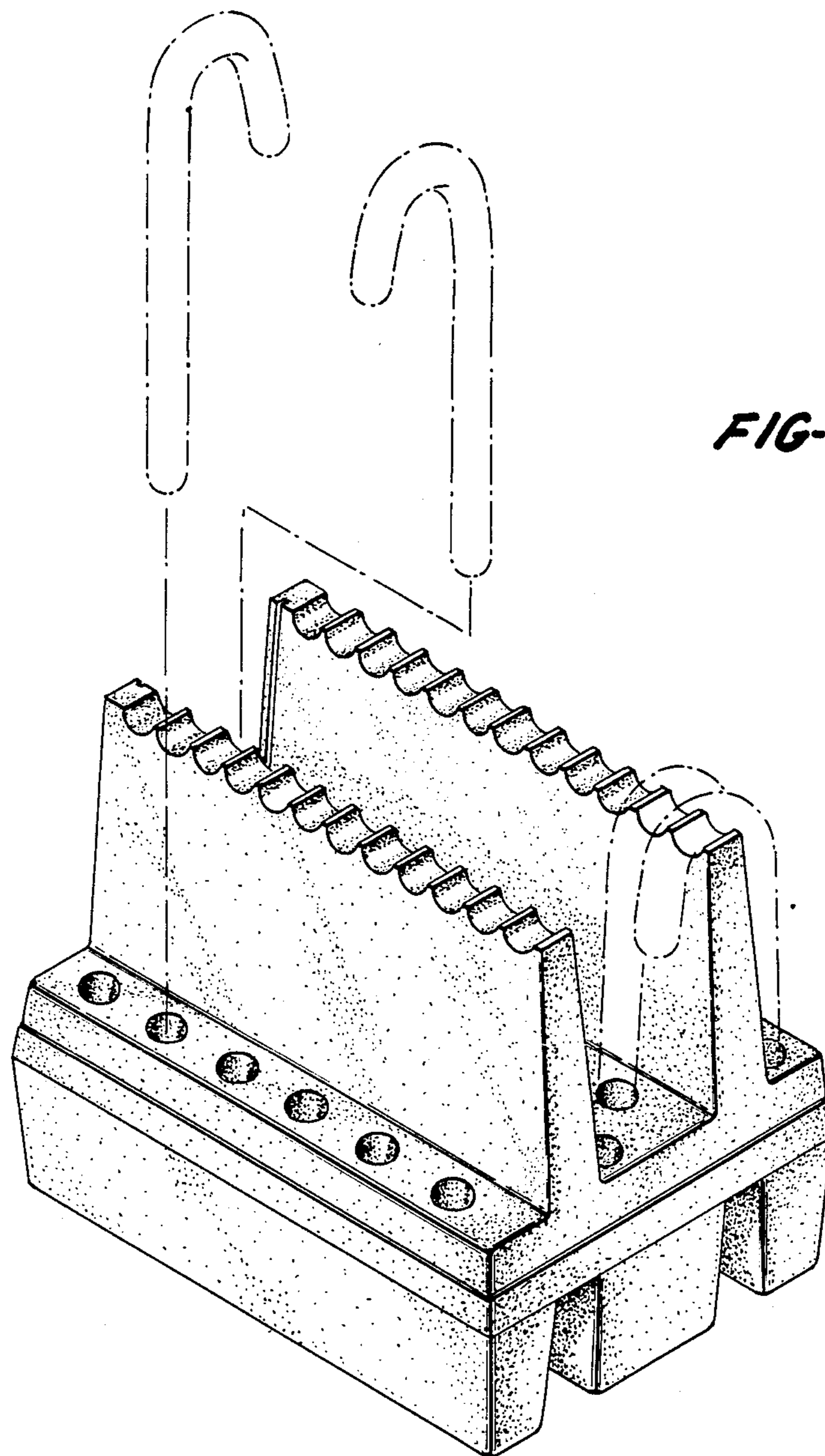
[57] **CLAIM**

The ornamental design for a package for candy canes, as shown and described.

**DESCRIPTION**

FIG. 1 is a perspective view of a package for candy canes showing my new design; FIG. 2 is a top plan view thereof; FIG. 3 is a front elevation thereof, the rear side elevation is similar to the front elevation shown; FIG. 4 is a left side elevation thereof, the right side elevation is similar to the left side elevation shown; and FIG. 5 is a bottom plan view thereof; The broken lines representing the candy canes in FIG. 1 are shown for illustrative purposes only and forms no part of the claim.





*FIG-1*

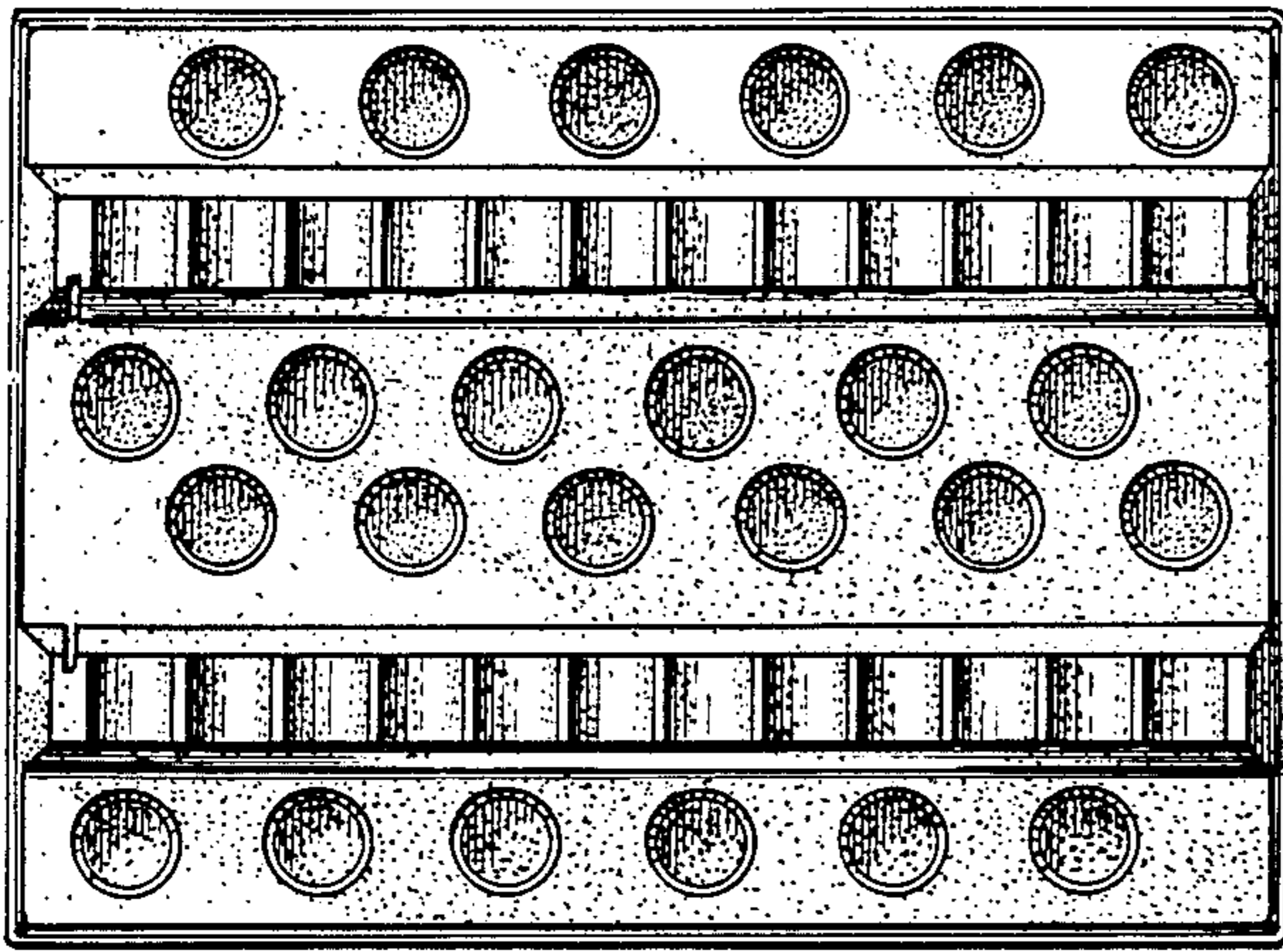


FIG-2

FIG-3

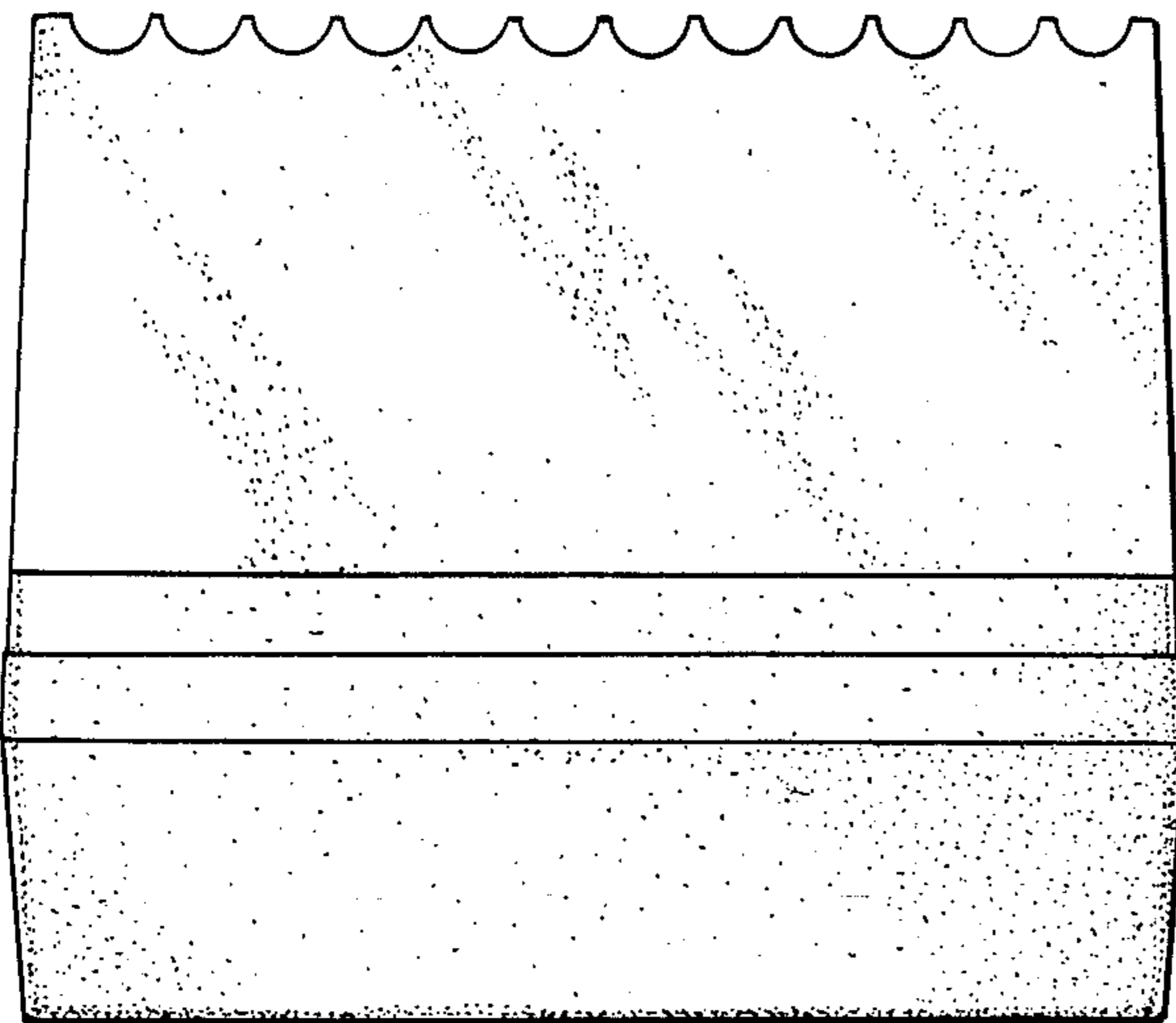


FIG-4

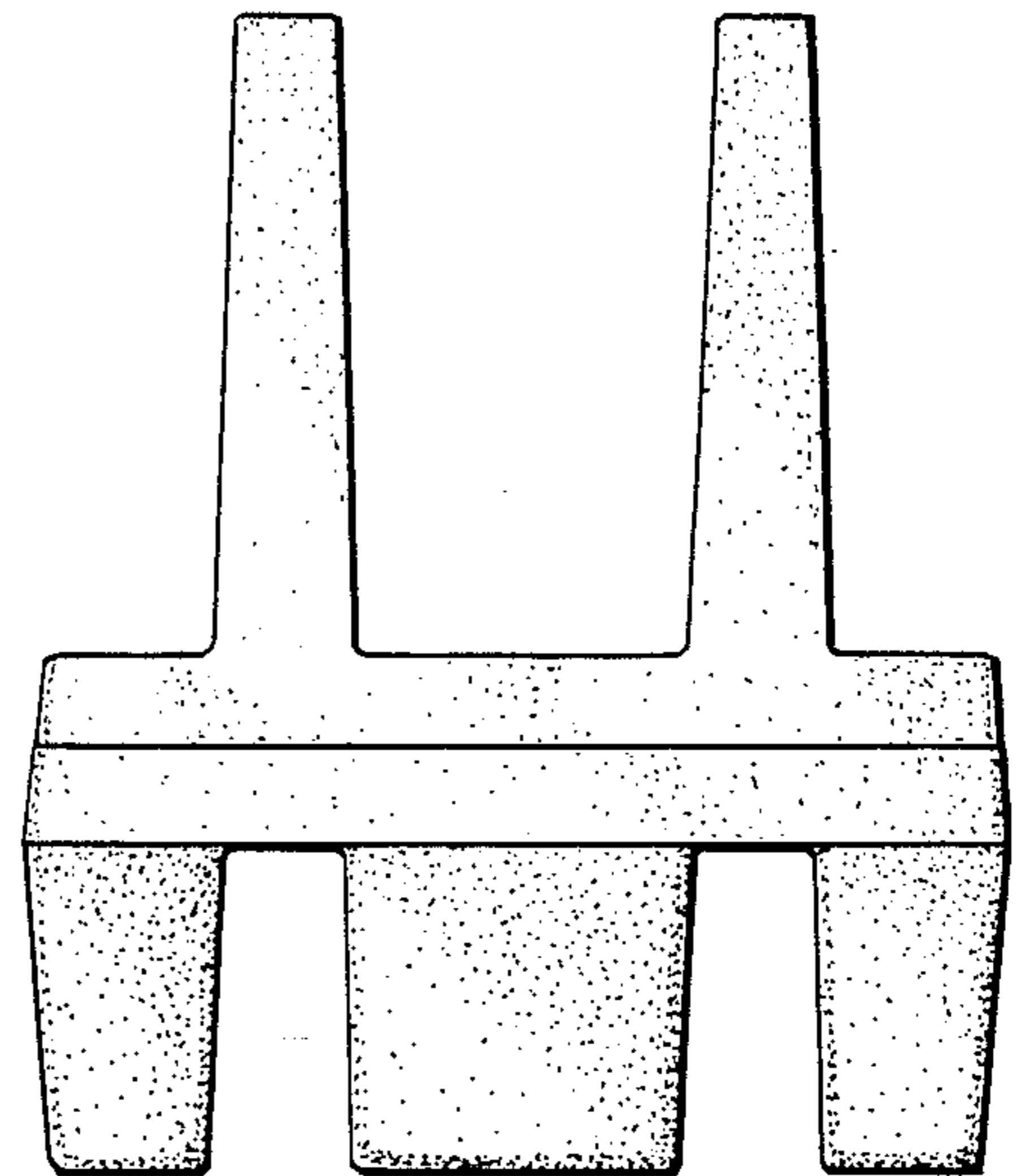


FIG-5

