

[54] PACKAGE FOR CANDY CANES
 [75] Inventor: Donald H. Young, Decatur, Ala.
 [73] Assignee: Bob's Candies, Inc., Albany, Ga.
 [**] Term: 14 Years
 [21] Appl. No.: 911,083
 [22] Filed: Sep. 23, 1986
 [52] U.S. Cl. D9/341
 [58] Field of Search D9/341, 347, 348, 455;
 D8/71, 81, 85, 105; D24/31, 32; D19/75, 90,
 84; 15/435; 211/60.1, 69.1, 70.6, 62, 69;
 206/45.14, 45.19, 349, 486, 490

4,155,446 5/1979 Aronson 206/45.14
 4,411,868 10/1983 Noack 211/60.1 X
 4,487,316 12/1984 Calhoun et al. 211/60.1 X

Primary Examiner—Bernard Ansher
 Assistant Examiner—Prabhakar Deshmukh
 Attorney, Agent, or Firm—Mason, Fenwick & Lawrence

[57] CLAIM

The ornamental design for a package for candy canes, as shown and described.

DESCRIPTION

FIG. 1 is a perspective view of a package for candy canes showing my new design;
 FIG. 2 is a top plan view thereof;
 FIG. 3 is a front elevation thereof, the rear side elevation is similar to the front elevation shown;
 FIG. 4 is a right side elevation thereof;
 FIG. 5 is a left side elevation thereof; and
 FIG. 6 is a bottom plan view thereof;
 The broken lines representing the candy canes in FIG. 1 are shown for illustrative purposes only and forms no part of the claim.

- [56] References Cited
 U.S. PATENT DOCUMENTS
 D. 255,771 7/1980 Cruz D8/71
 D. 288,484 2/1987 Mitchell D24/31 X
 D. 294,209 2/1988 Havelka D8/71 X
 1,092,156 4/1914 Mathis 211/69.6 X
 2,121,307 6/1938 Swift 211/70.6 X

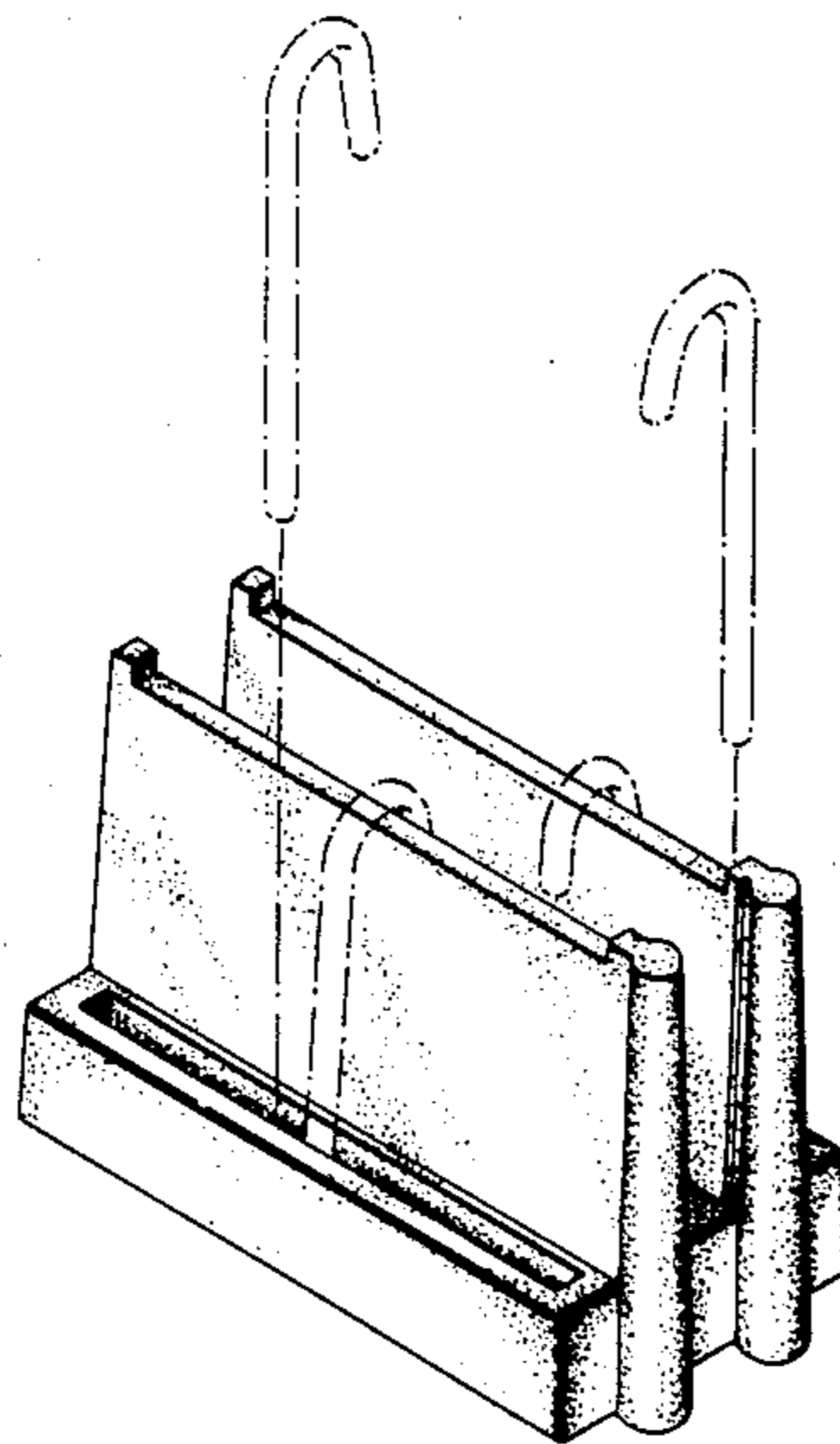
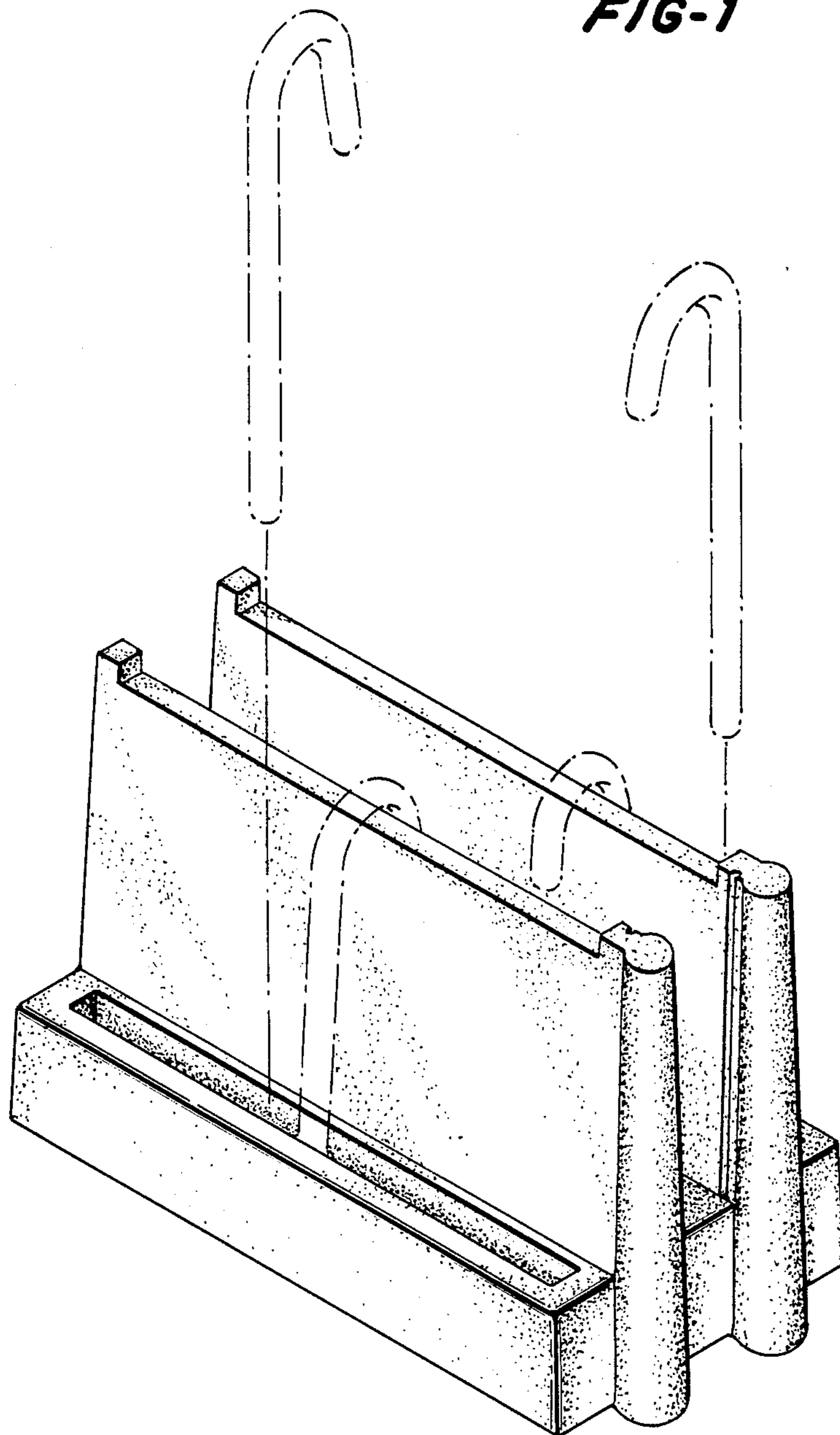


FIG-1



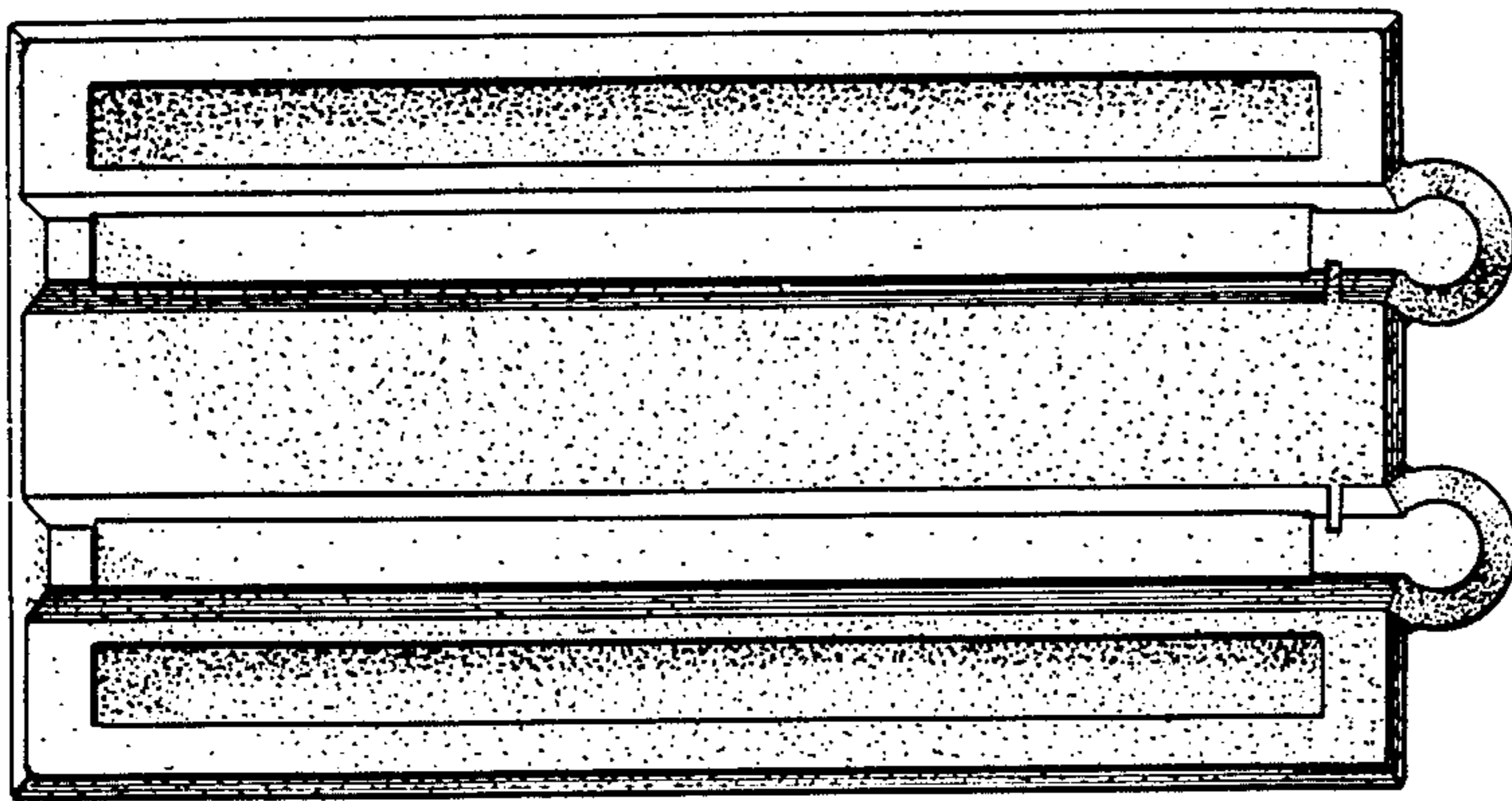


FIG-2

FIG-3

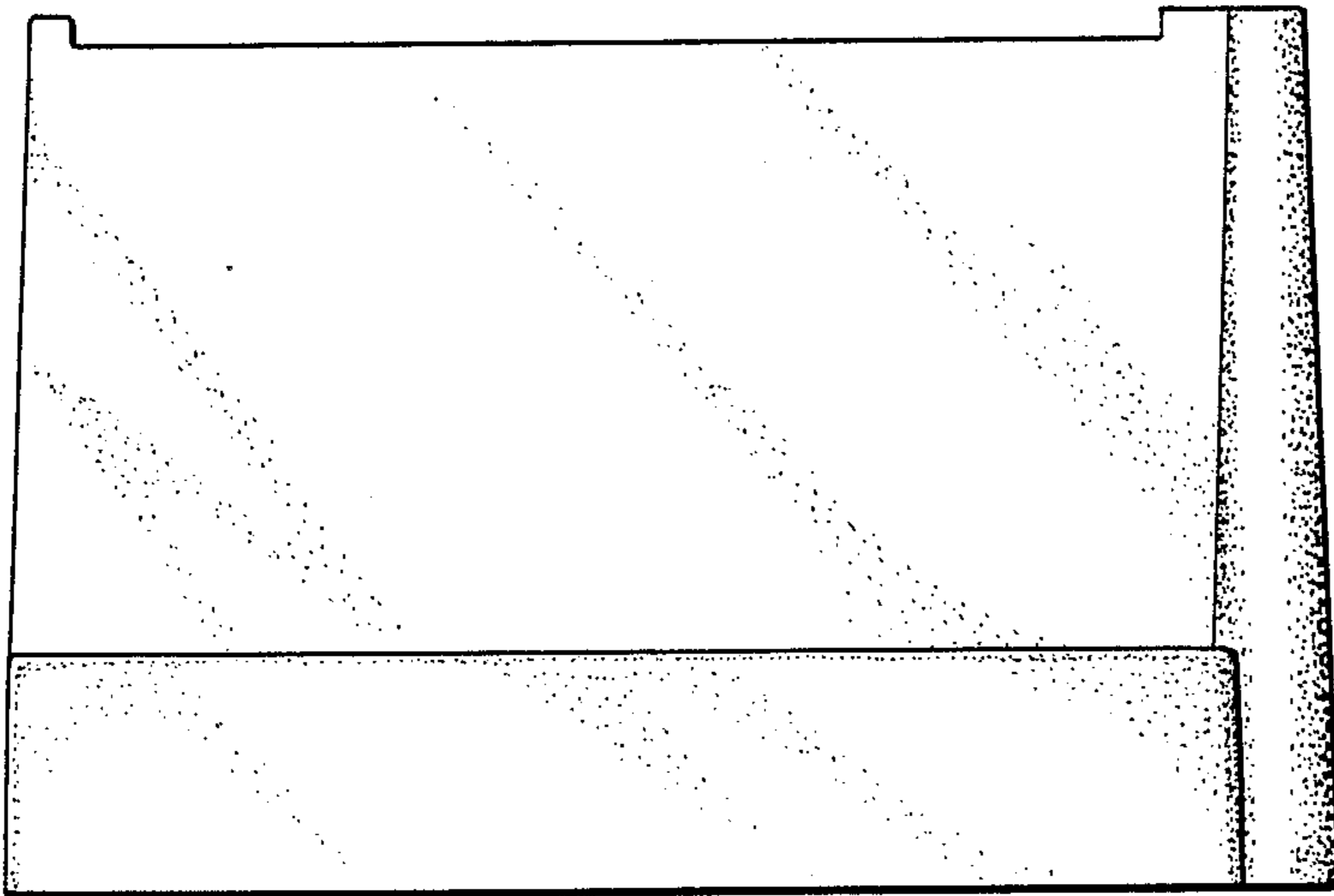


FIG-4

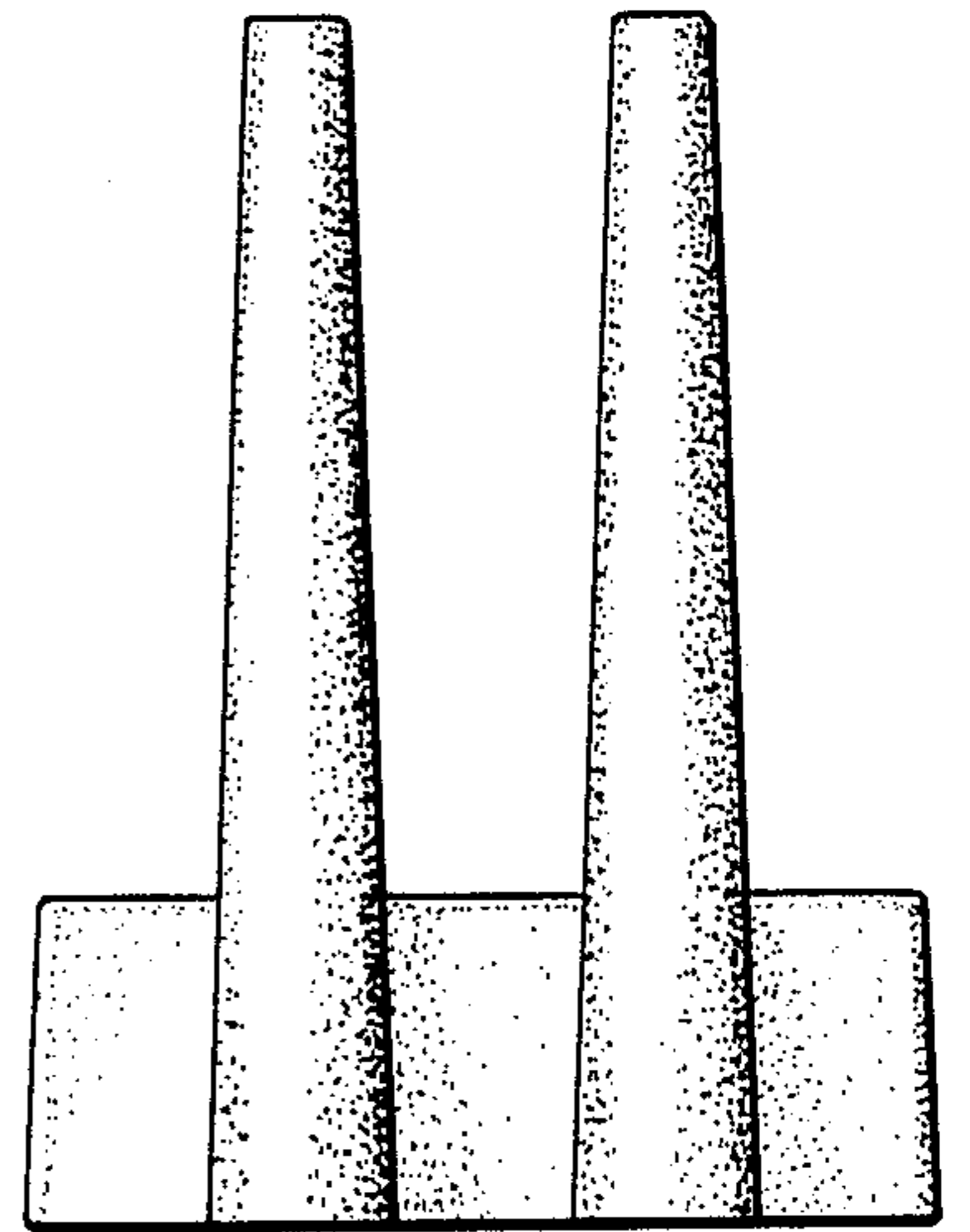


FIG-6

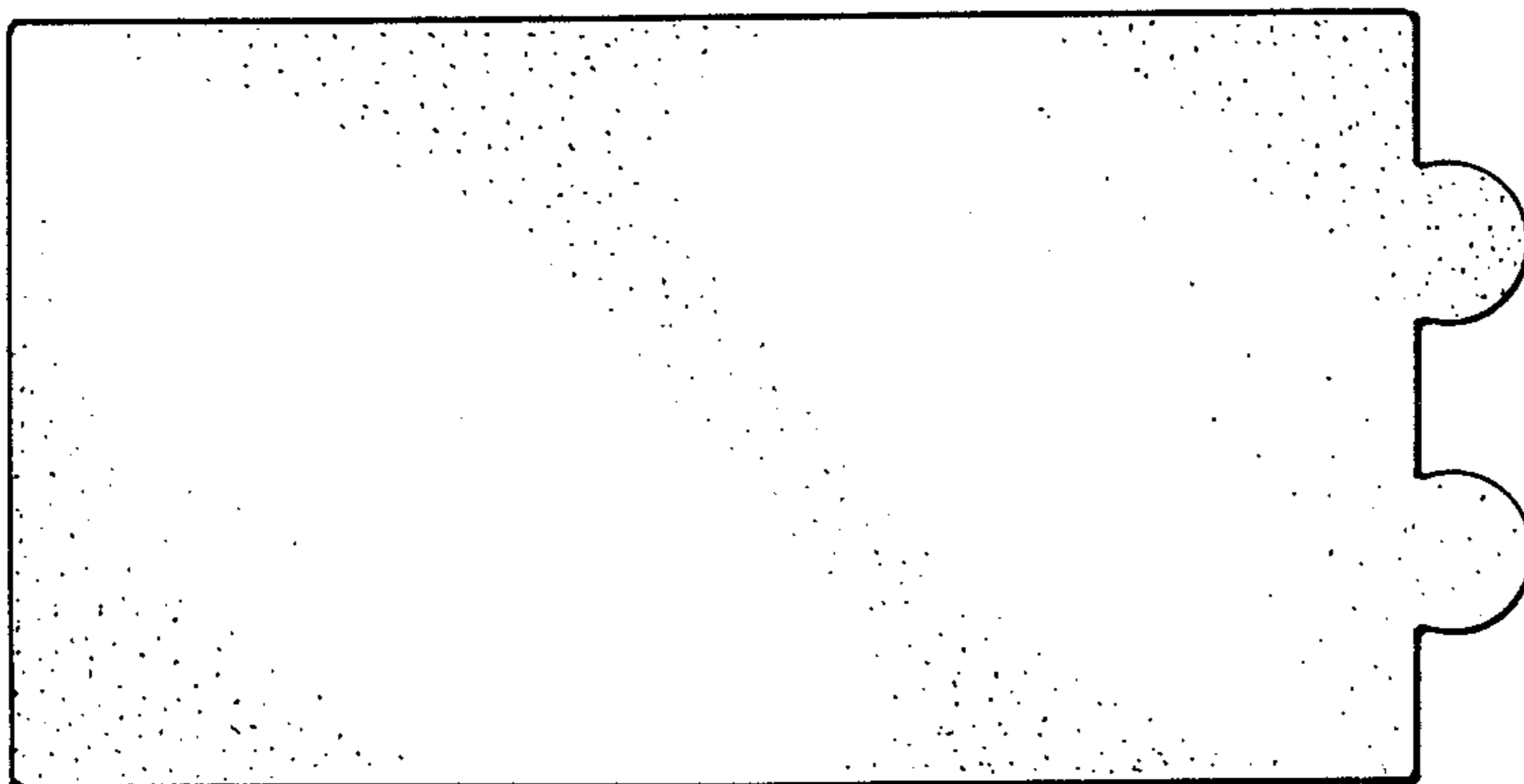


FIG-5

