

[54] **MICROWAVE OVEN**

[75] **Inventor: Seung H. Yoo, Buchon, Rep. of Korea**
[73] **Assignee: Gold Star Co., Ltd., Seoul, Rep. of Korea**

[*] **Notice: The portion of the term of this patent subsequent to Nov. 7, 2003 has been disclaimed.**

[**] **Term: 14 Years**

[21] **Appl. No.: 16,179**

[22] **Filed: Feb. 18, 1987**

[30] **Foreign Application Priority Data**

Aug. 27, 1986 [KR] Rep. of Korea 86-12210
[52] **U.S. Cl. D7/351**
[58] **Field of Search D7/350, 351; 219/10.55 R, 10.55 A-D, 10.55 F**

[56] **References Cited**

U.S. PATENT DOCUMENTS

D. 226,990	5/1973	Wolfe	D7/351
D. 277,355	1/1985	Miyake et al.	D7/351
D. 277,542	2/1985	Nanbu et al.	D7/351
D. 285,893	9/1986	Mizuma et al.	D7/351
D. 293,540	1/1988	Choi	D7/351
D. 294,109	2/1988	Katagami et al.	D7/351
D. 294,216	2/1988	Choi	D7/351

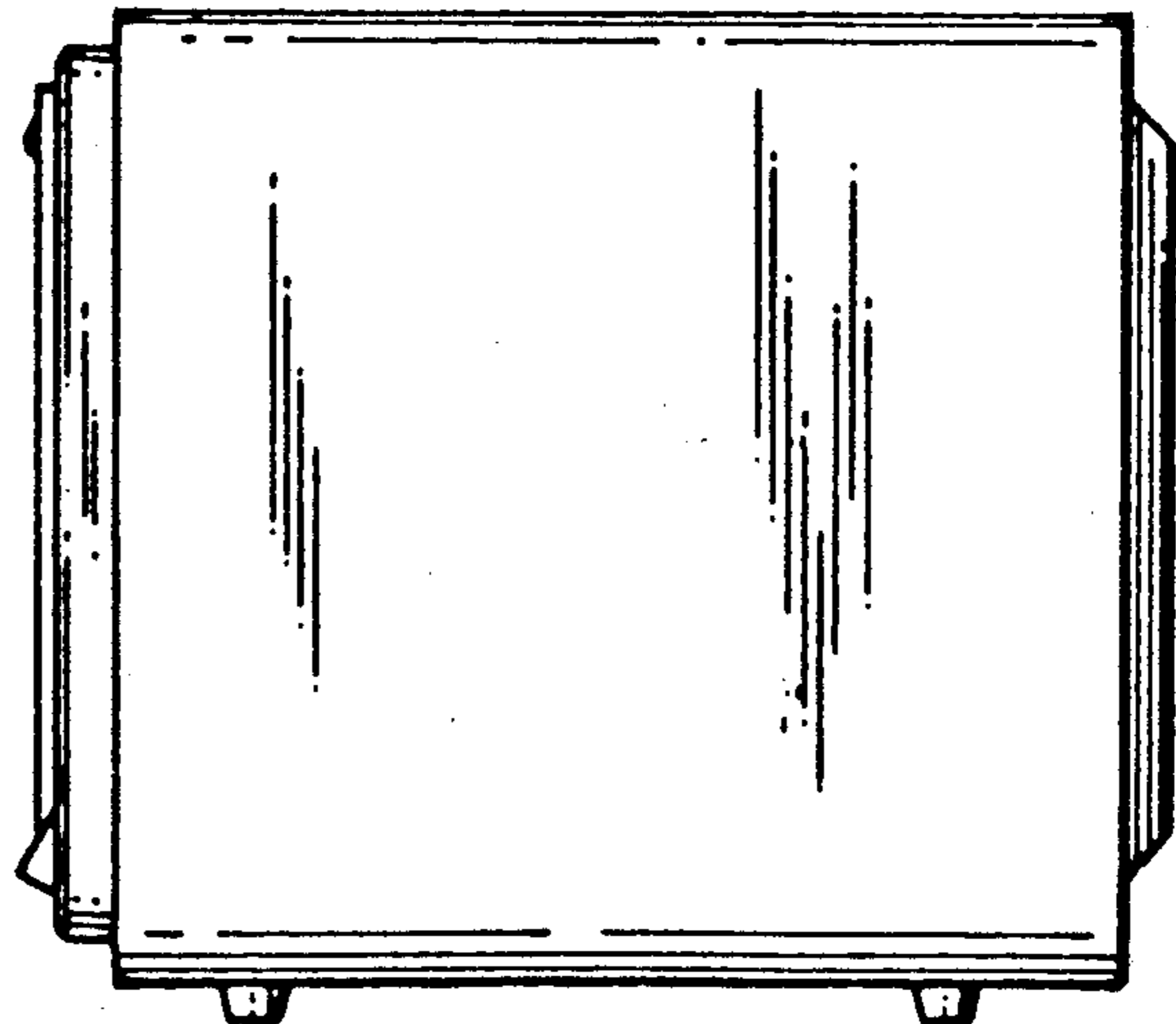
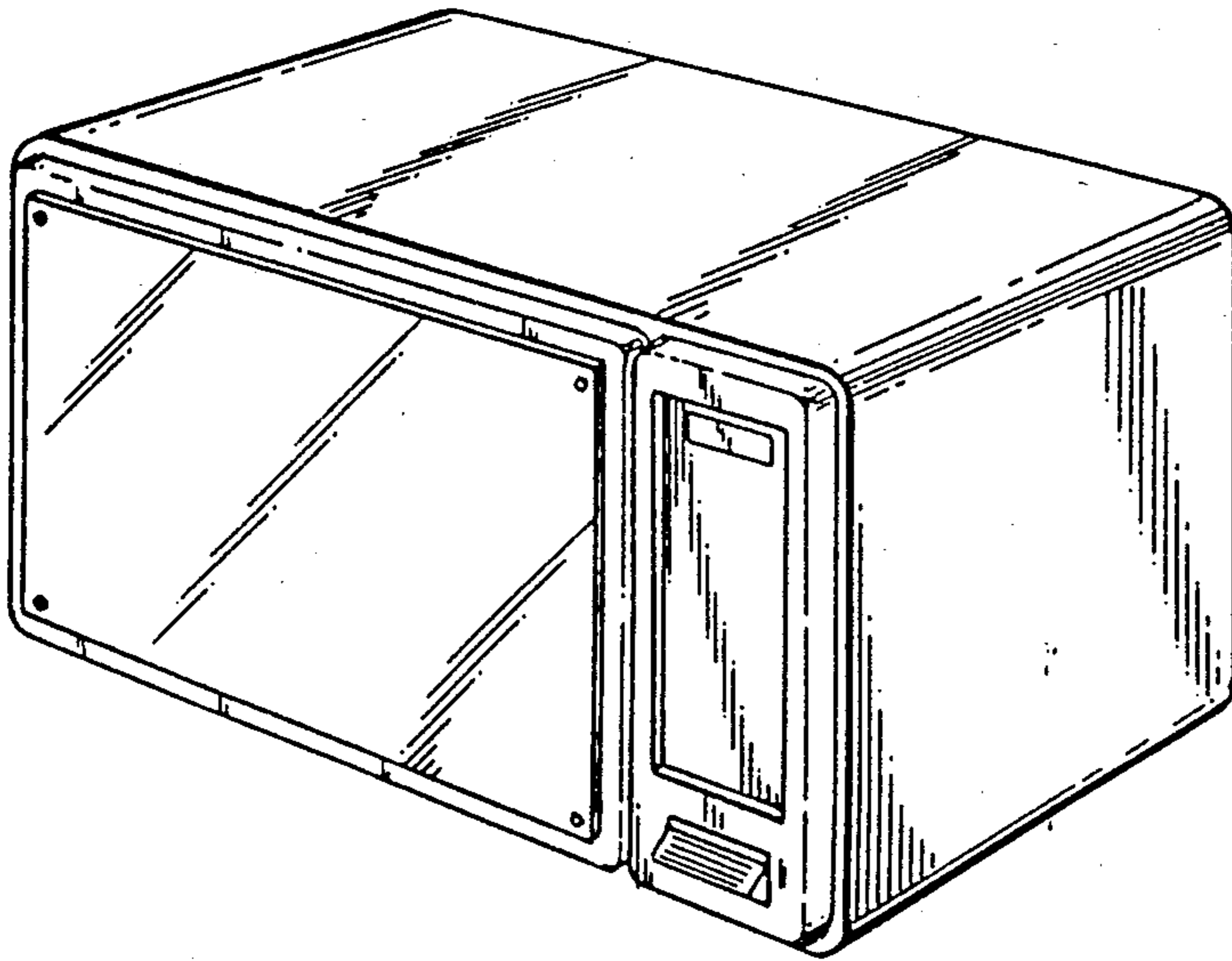
Primary Examiner—Bruce W. Dunkins
Assistant Examiner—Ruth Takemoto
Attorney, Agent, or Firm—Birch, Stewart, Kolasch & Birch

[57] **CLAIM**

The ornamental design for a microwave oven, as shown and described.

DESCRIPTION

FIG. 1 is a top, front and right side perspective view of a microwave oven showing my new design;
FIG. 2 is a top plan view thereof;
FIG. 3 is a front elevational view thereof;
FIG. 4 is a bottom plan view thereof;
FIG. 5 is a rear elevational view thereof;
FIG. 6 is a right side elevational view thereof; and
FIG. 7 is a left side elevational view thereof.



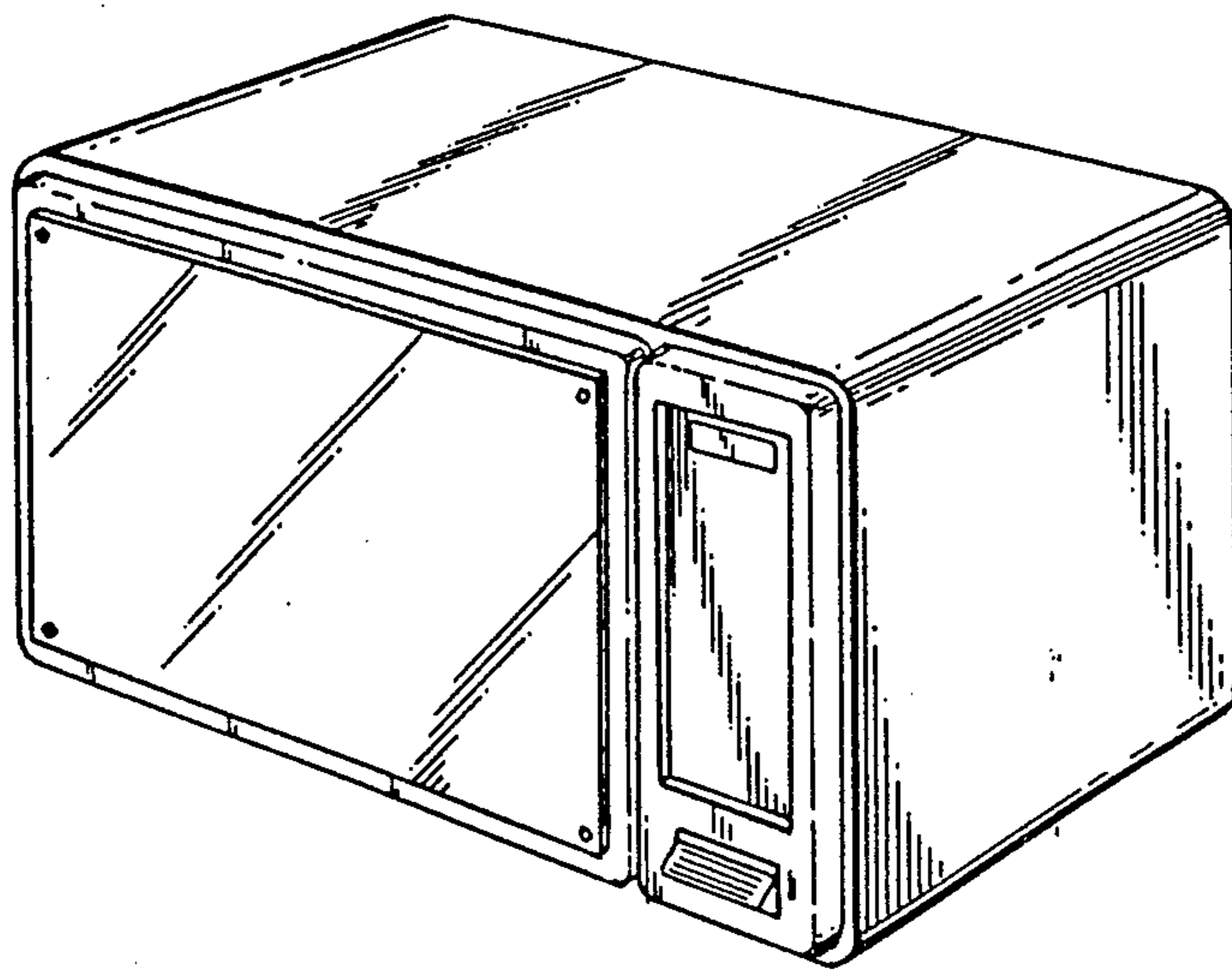


FIG. 1

FIG. 2

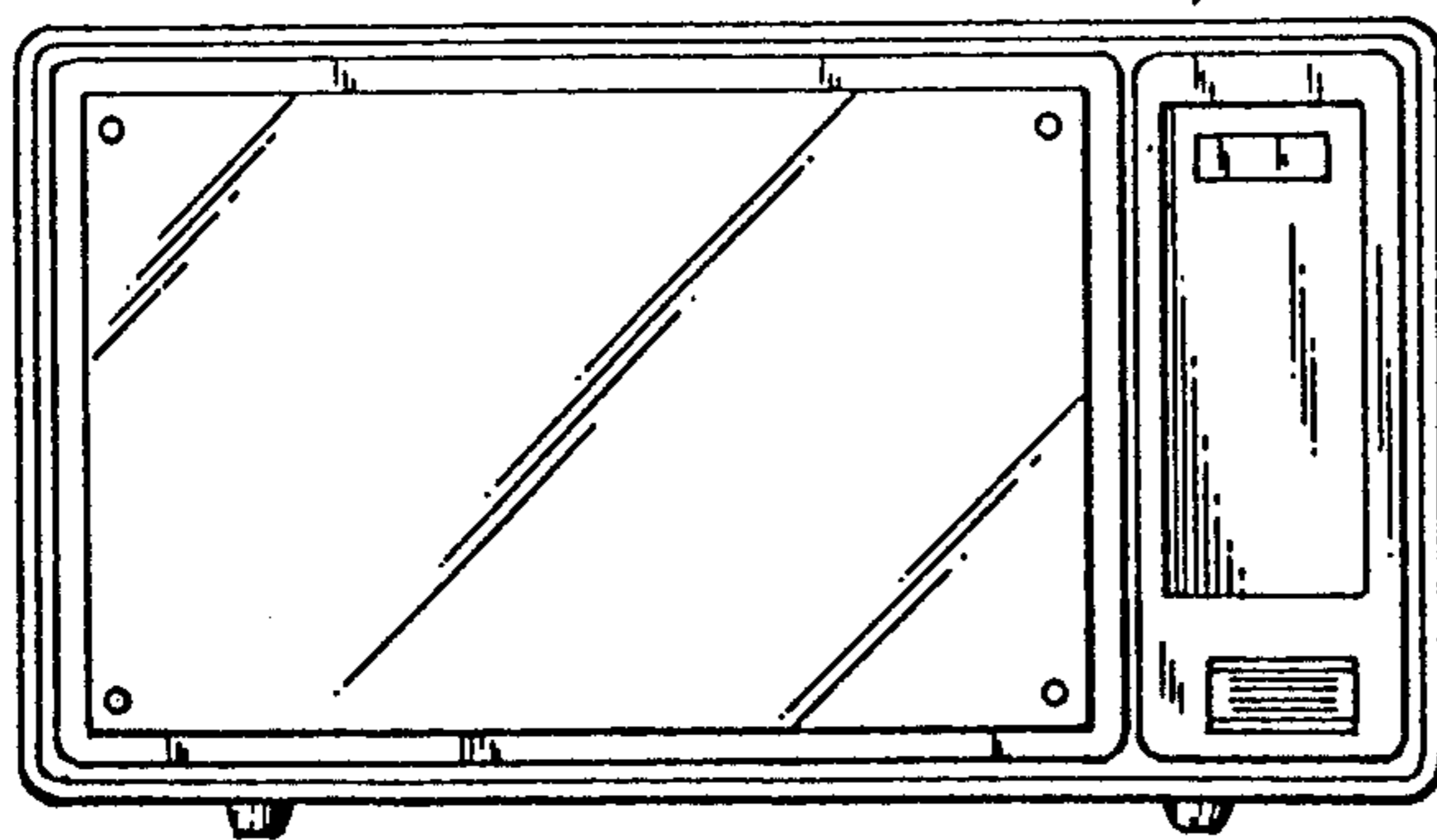
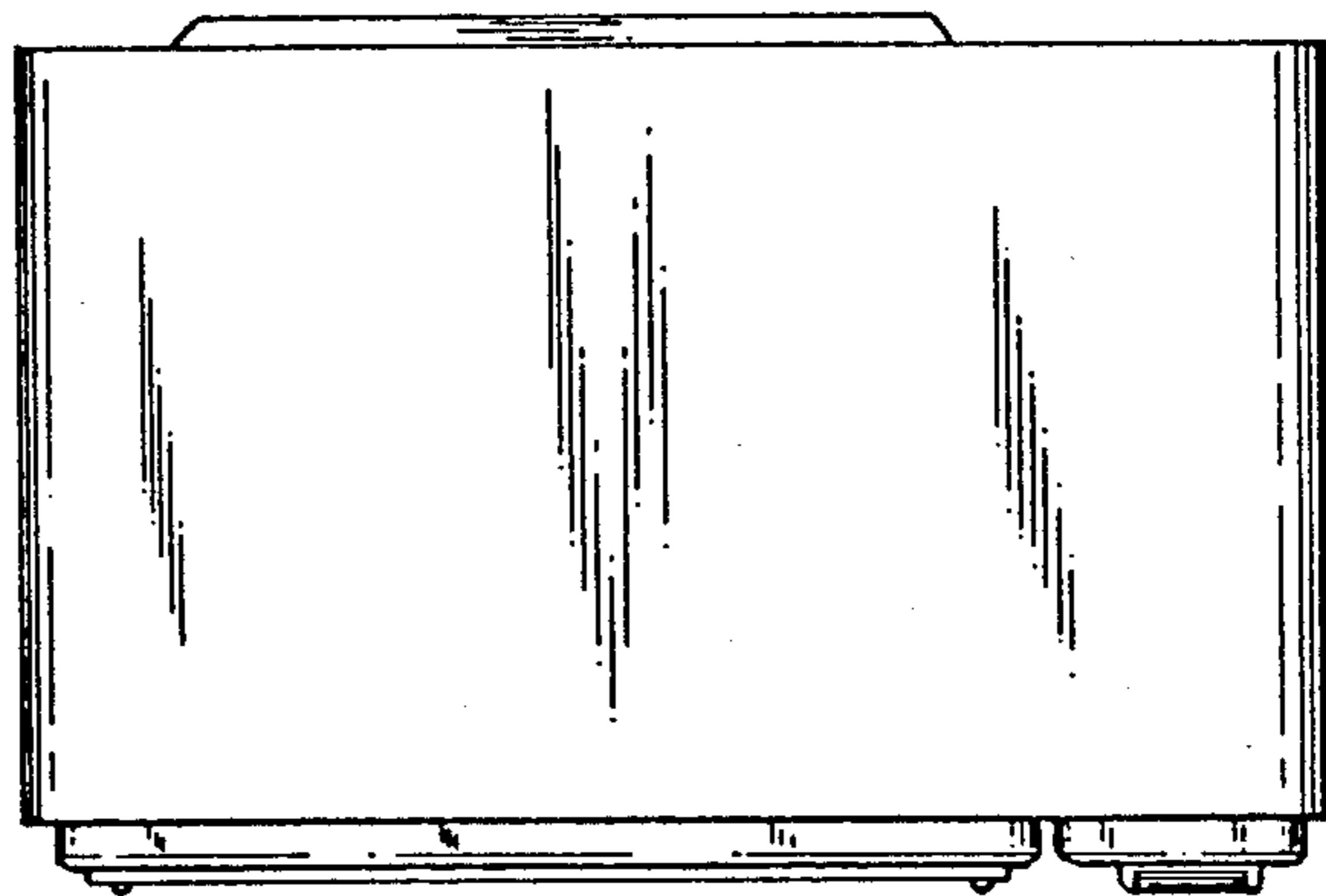


FIG. 3

FIG. 4

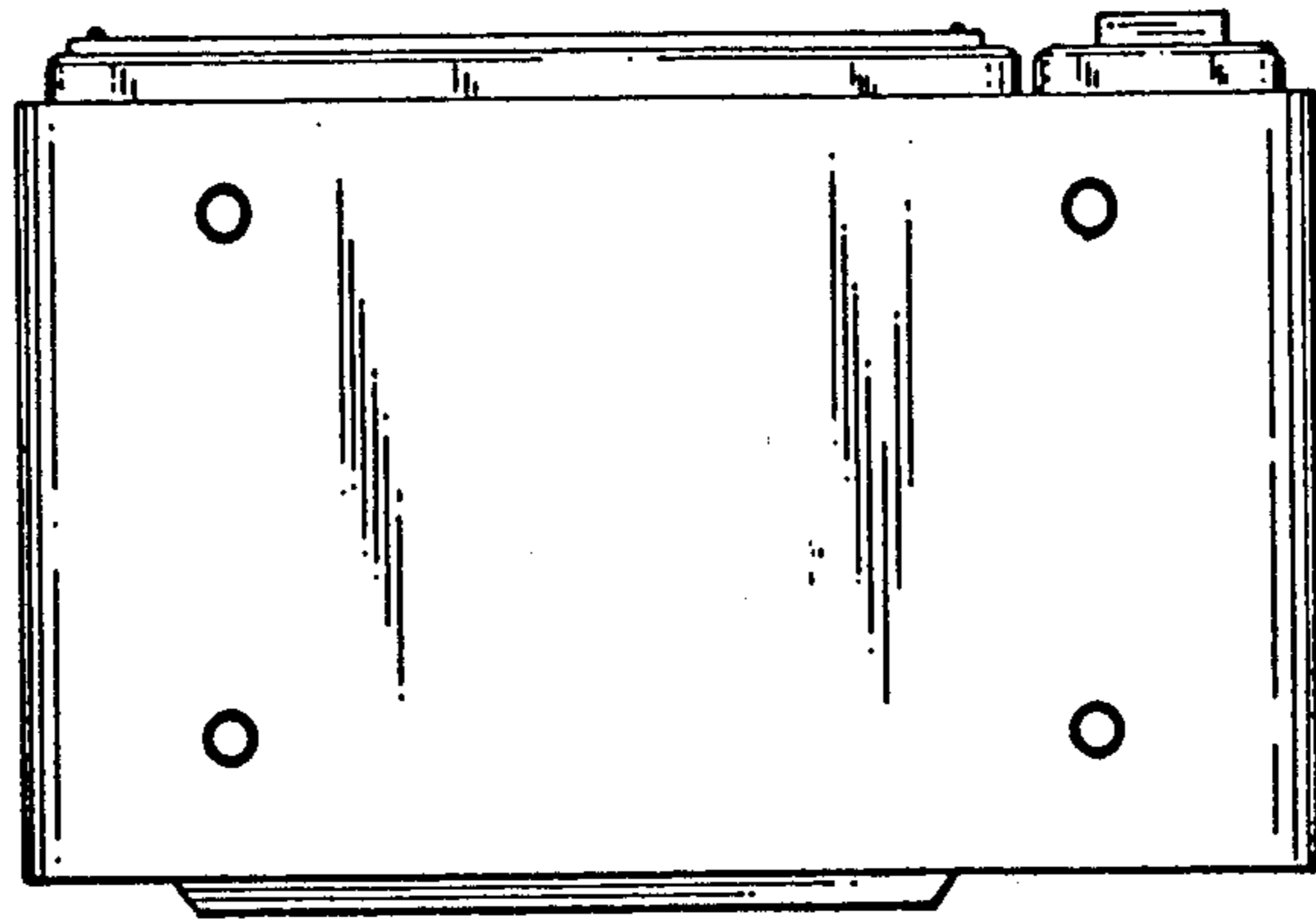


FIG. 5

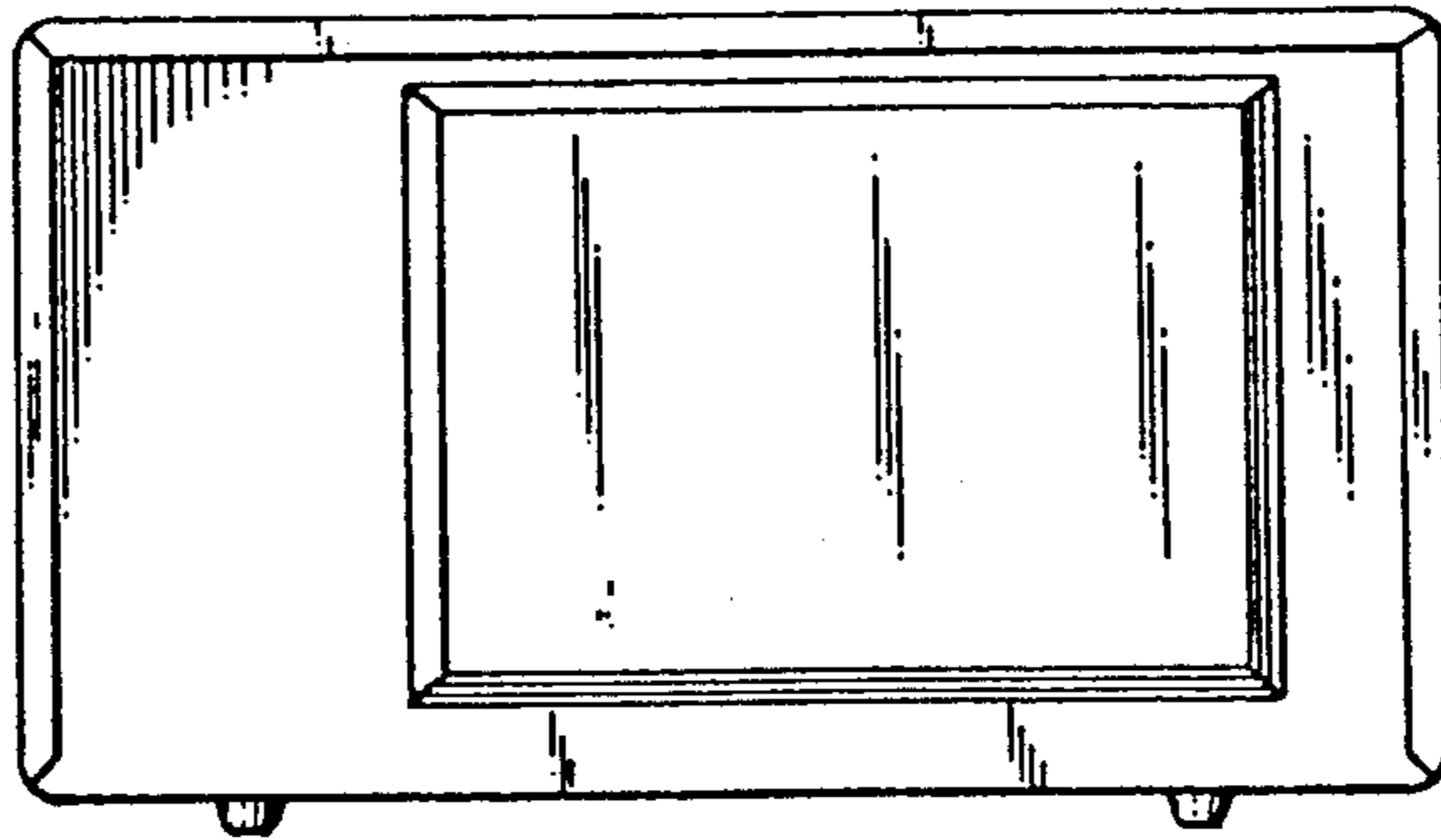


FIG. 6

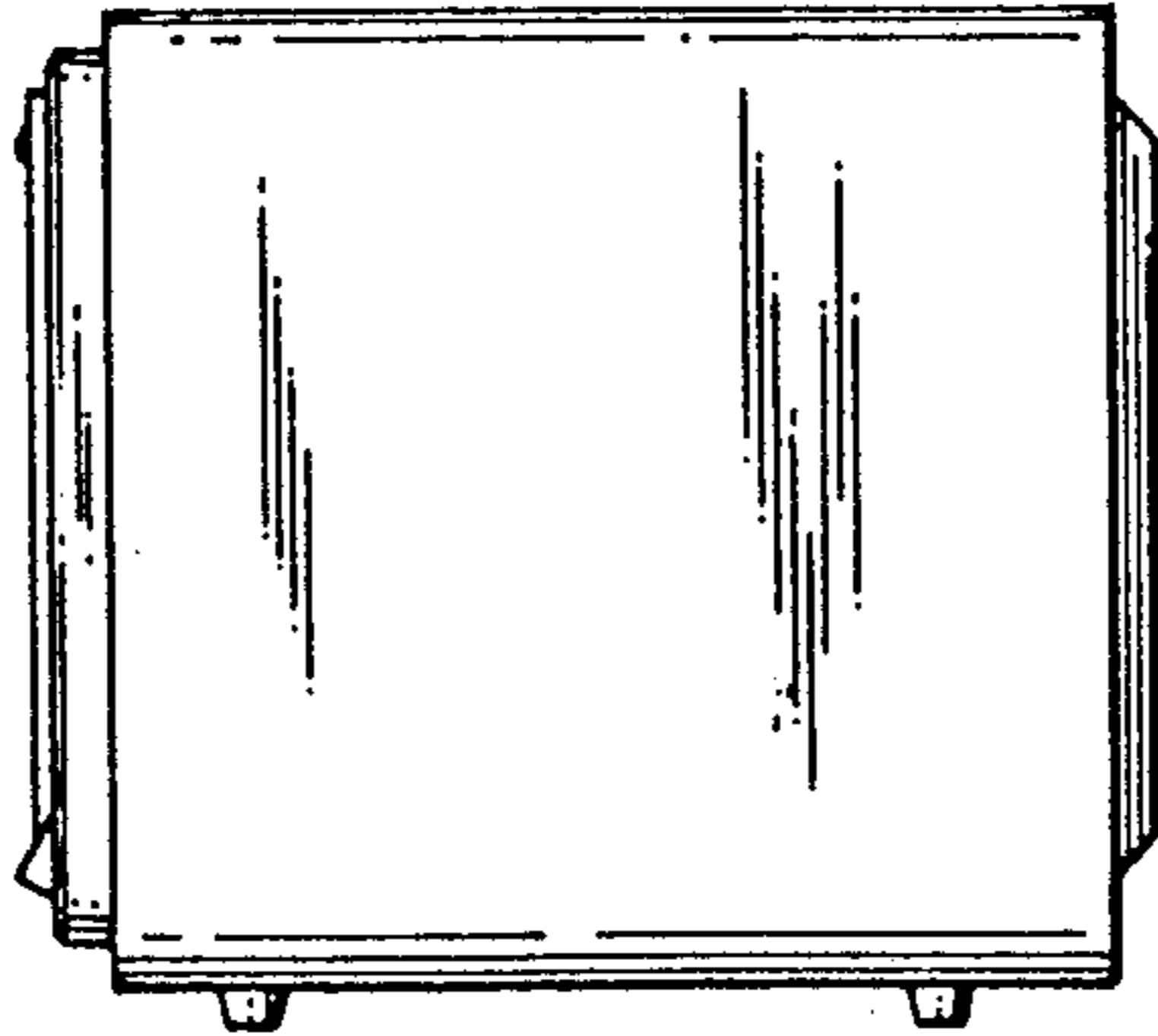


FIG. 7

