

[54] PITCHER

[75] Inventor: T. Brent Freese, Winchester, Va.

[73] Assignee: Rubbermaid Commercial Products Inc., Winchester, Va.

[**] Term: 14 Years

[21] Appl. No.: 1,671

[22] Filed: Jan. 8, 1987

[52] U.S. Cl. D7/319

[58] Field of Search D7/316, 317, 318, 319, D7/321, 312, 77, 300, 51, 3; D9/378

[56] References Cited

U.S. PATENT DOCUMENTS

D. 45,489	3/1914	Sanford	D7/319
D. 104,452	5/1937	Kelly	D7/319
D. 111,339	9/1938	Titze	D7/317
D. 120,614	5/1940	Dreitzer	D7/319
D. 192,934	5/1962	Bloch	D7/318
D. 196,866	11/1963	Lewis	D7/317
D. 203,852	2/1966	Douglas	D7/317
D. 215,168	9/1969	Beckman	D7/318
D. 272,889	3/1984	Walton	D9/370

OTHER PUBLICATIONS

The Pottery Gazette and Glass Trade Review, Jul. 1, 1936,

p. 87, T.T.G. Green & Co. Ltd. Adv., Striped Walls on Left Taller Pitcher.

Page 14-Catalog-Rubbermaid Commercial Products, Inc. 3124 Valley Avenue, Winchester, Virginia 22601, Publ. 1983.

Primary Examiner—Winifred E. Herrmann
Attorney, Agent, or Firm—Richard B. O'Planick

[57] CLAIM

The ornamental design for a pitcher, as shown and described.

DESCRIPTION

FIG. 1 is a perspective view of a pitcher embodying my new design.

FIG. 2 is a top plan view thereof.

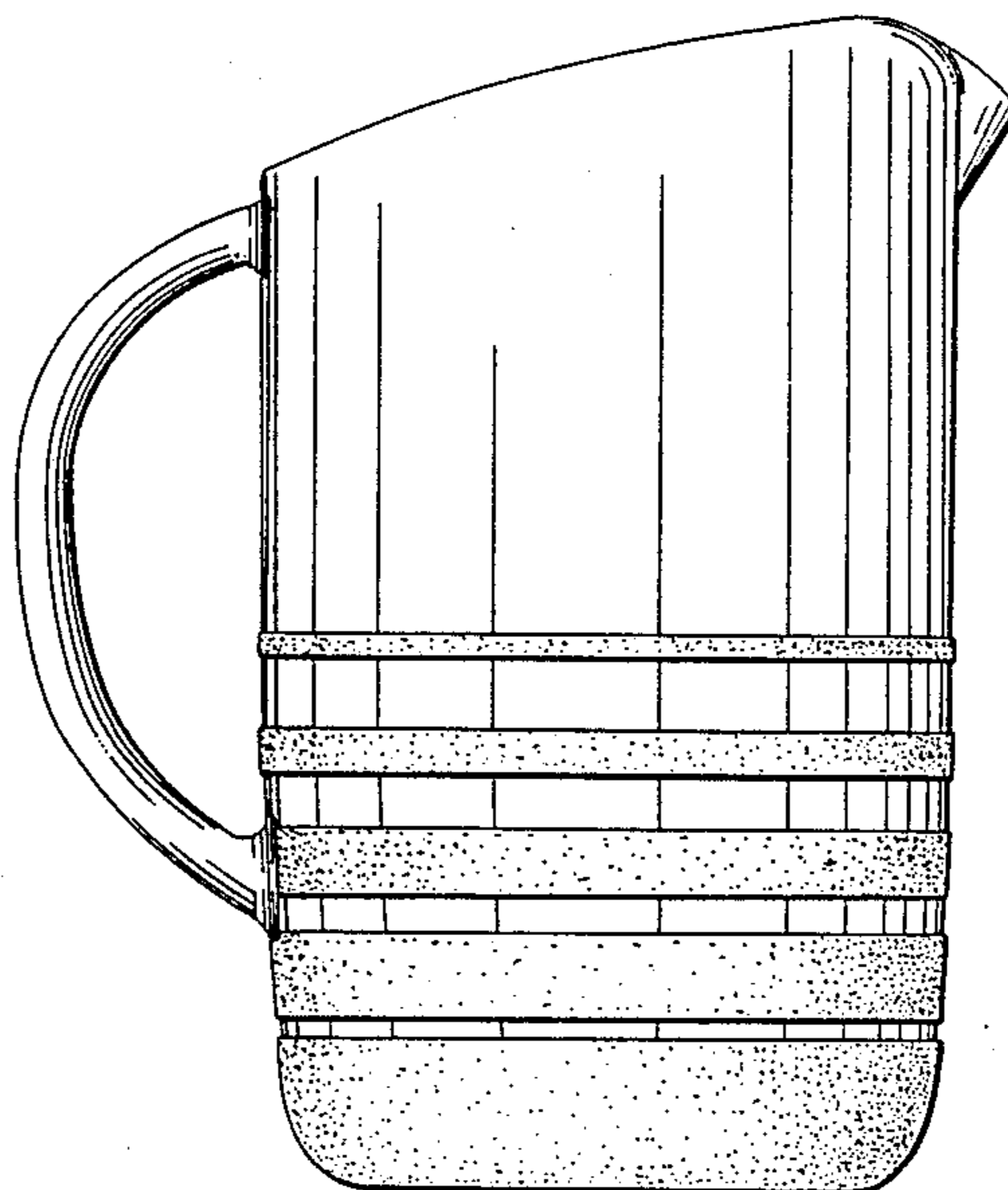
FIG. 3 is a front elevational view thereof.

FIG. 4 is a side elevational view thereof. The side opposite that shown is a mirror image thereof.

FIG. 5 is a rear elevational view thereof.

FIG. 6 is a bottom plan view thereof.

The stippled shading on the circular bands represents texture contrast with the cylindrical body and the handle of the pitcher.



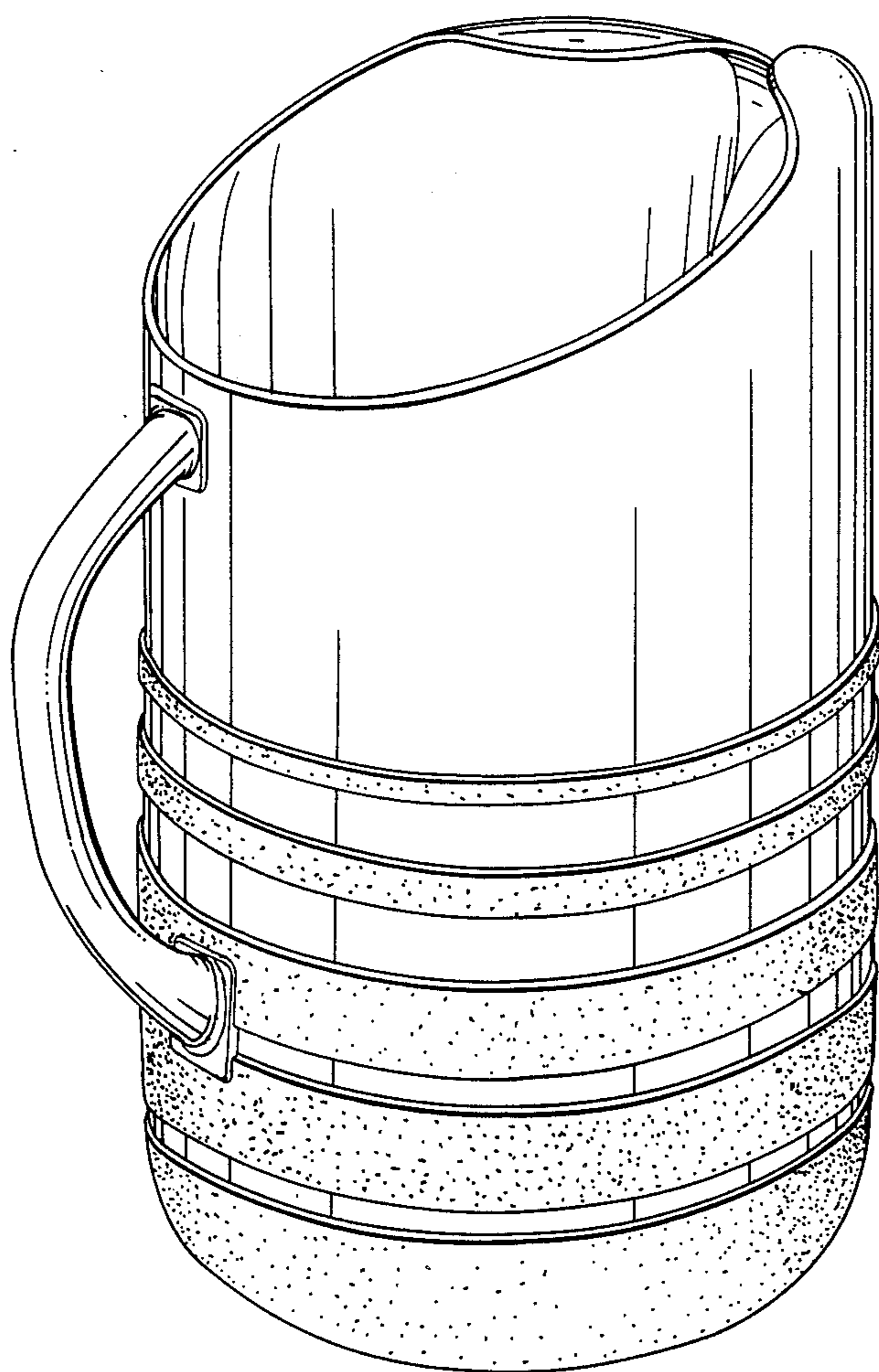


Fig. 1

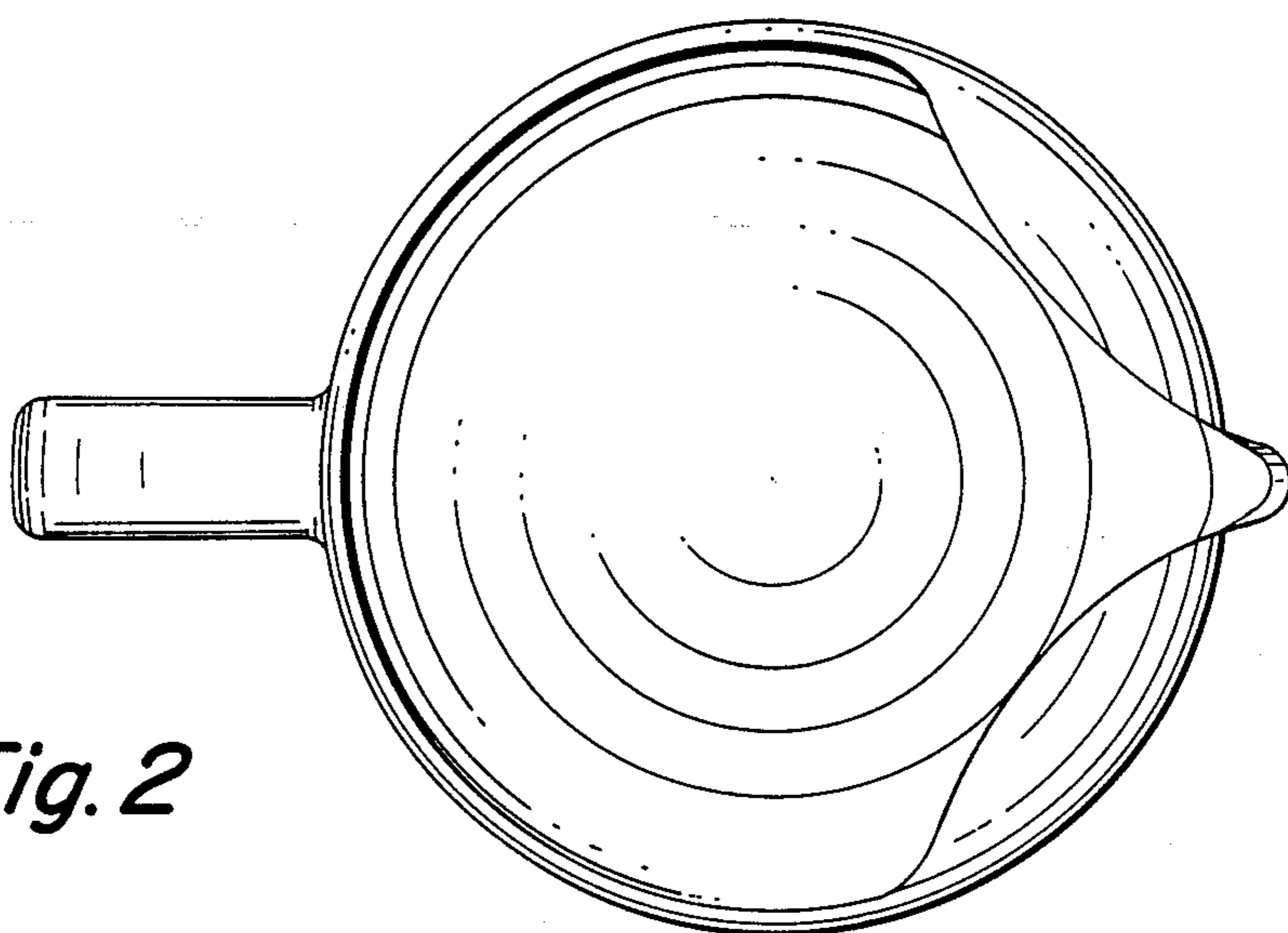


Fig. 2

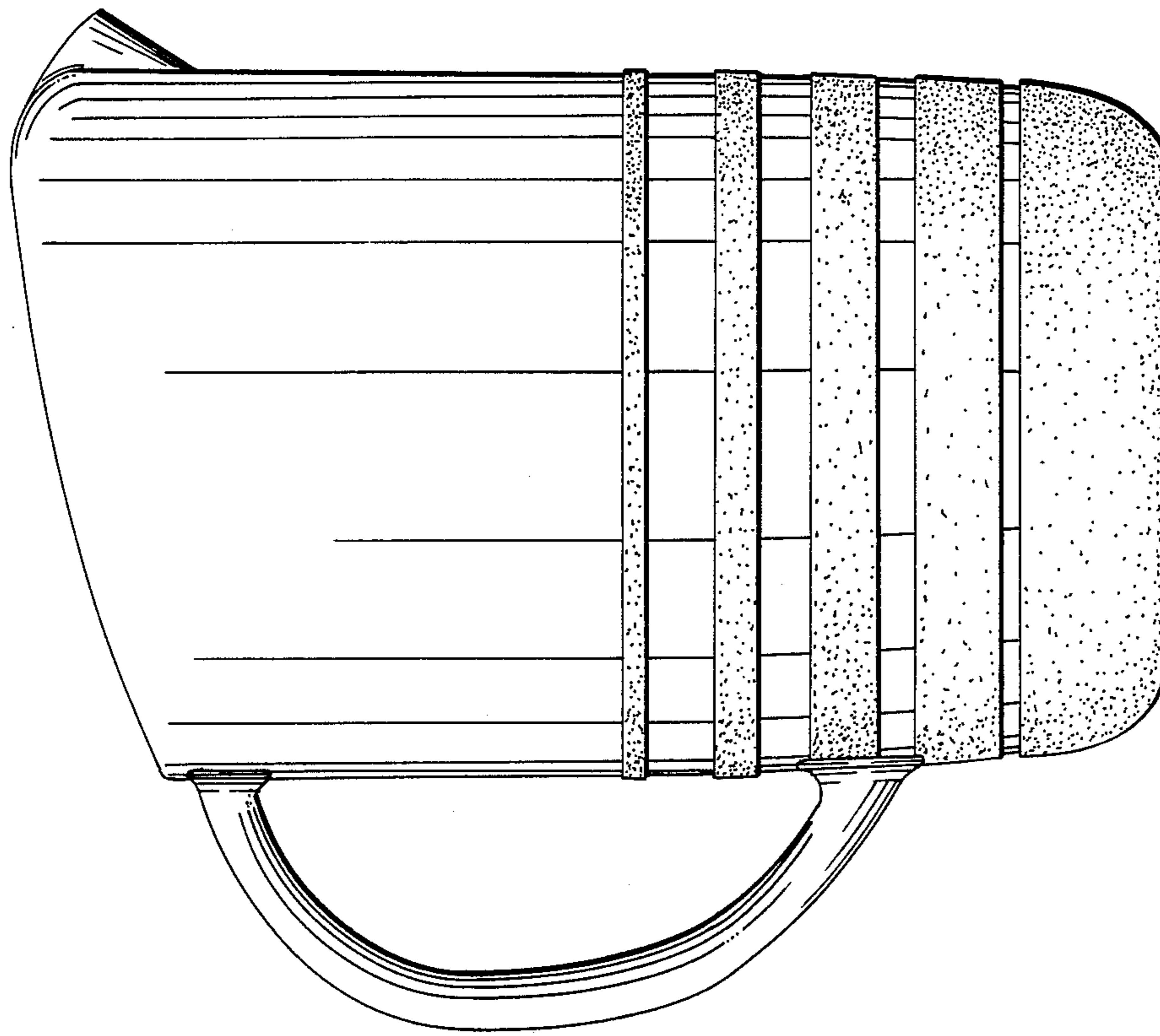


Fig. 4

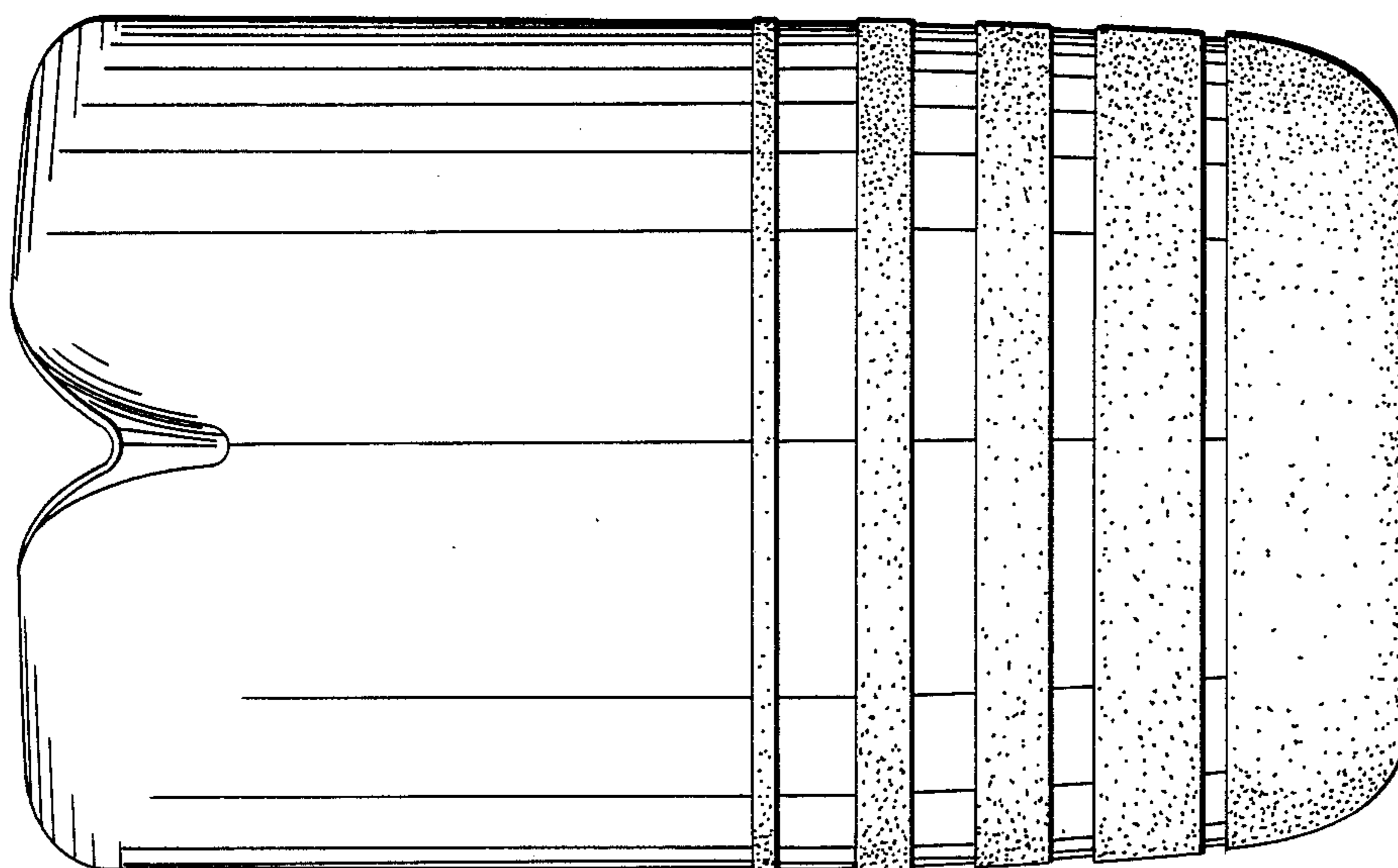


Fig. 3

Fig. 5

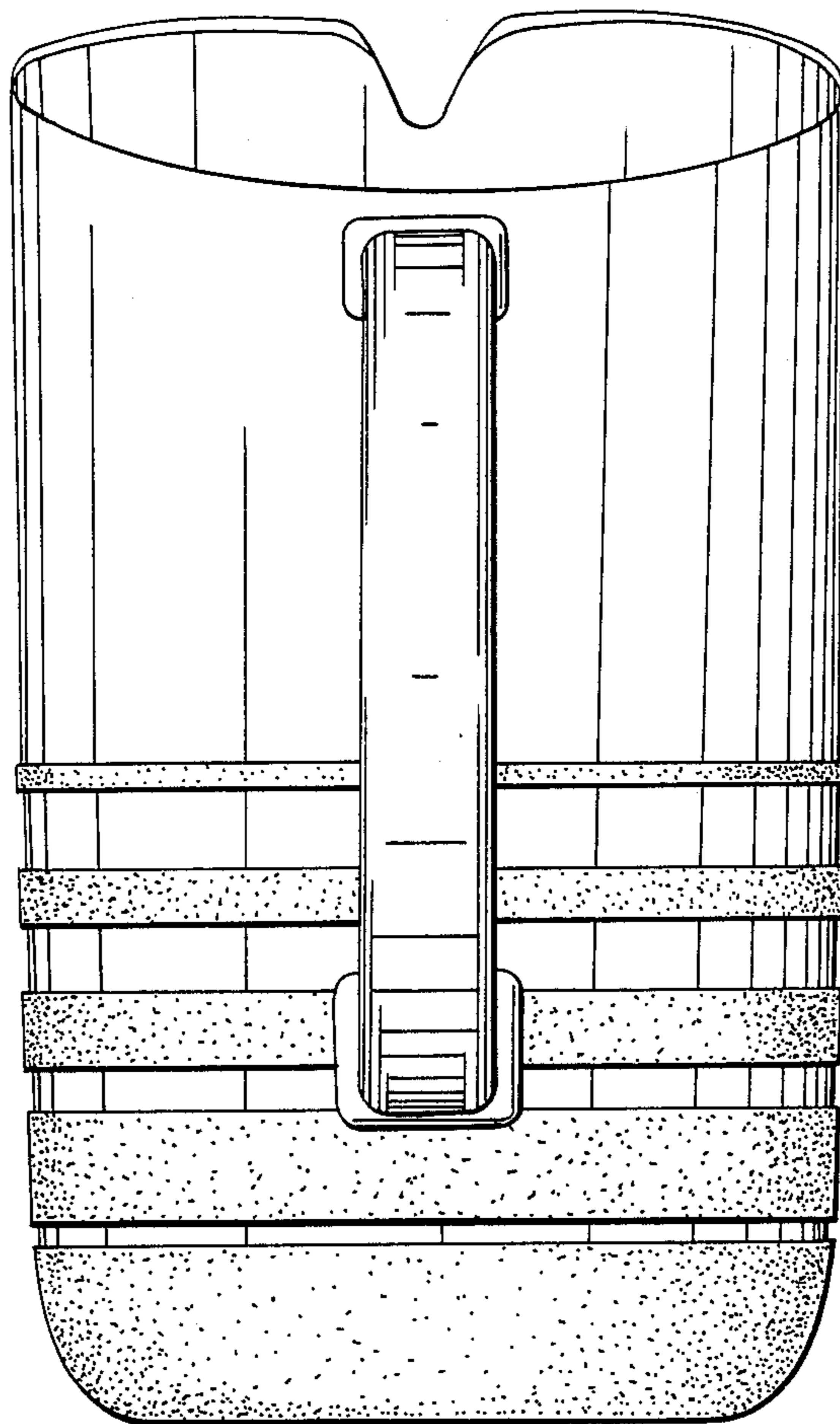


Fig. 6

