

[54] KNIFE

2,651,839 9/1953 Folland ..... D7/151 X

[75] Inventor: Lynn C. Thompson, Ventura, Calif.

Primary Examiner—Winifred E. Herrmann  
Attorney, Agent, or Firm—Marvin E. Jacobs

[73] Assignee: Cold Steel, Inc., Ventura, Calif.

[57] CLAIM

[\*\*] Term: 14 Years

The ornamental design for a knife, as shown and described.

[21] Appl. No.: 868,420

DESCRIPTION

[22] Filed: May 28, 1986

[52] U.S. Cl. .... D7/151; D7/137

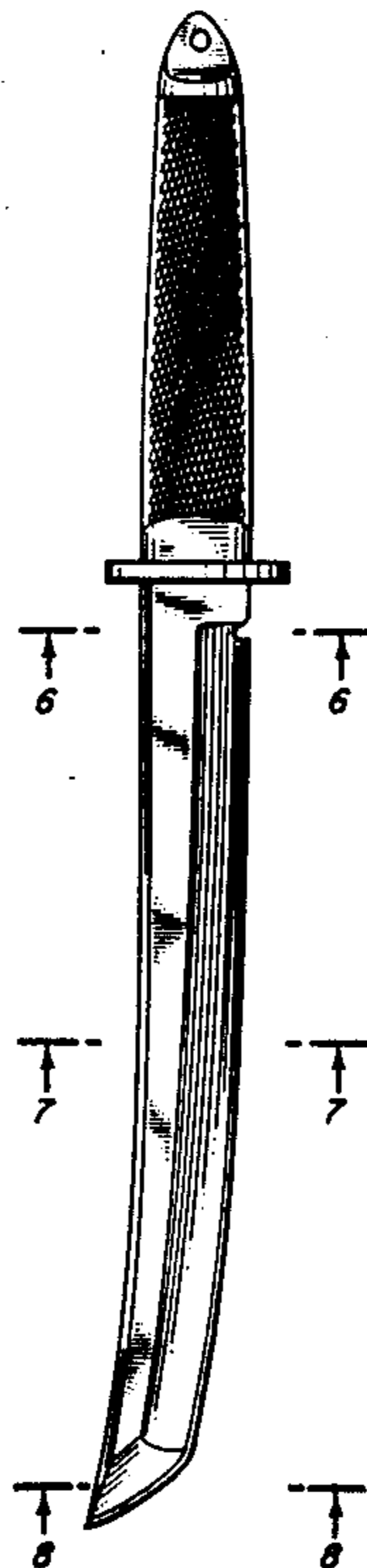
[58] Field of Search ..... D7/137-142,  
D7/147-152, 395, 106; D8/107, 102, 98, 99;  
30/340, 343, 344

FIG. 1 is a side elevational view of a knife showing my new design; the side opposite is a mirror image;  
FIG. 2 is a top plan view thereof;  
FIG. 3 is a bottom plan view thereof;  
FIG. 4 is a front elevational view thereof;  
FIG. 5 is a rear elevational view thereof;  
FIG. 6 is an enlarged sectional view thereof taken on line 6—6 of FIG. 1;  
FIG. 7 is an enlarged sectional view thereof taken on line 7—7 of FIG. 1; and  
FIG. 8 is an enlarged sectional view thereof taken on line 8—8 of FIG. 1.

[56] References Cited

U.S. PATENT DOCUMENTS

- D. 118,023 12/1939 Ramsthal ..... D7/395
- D. 118,274 12/1939 Barry et al. .... D7/150
- D. 199,313 10/1964 Fullerton et al. .... D7/151
- 2,641,832 6/1953 Champlin ..... D7/151 X



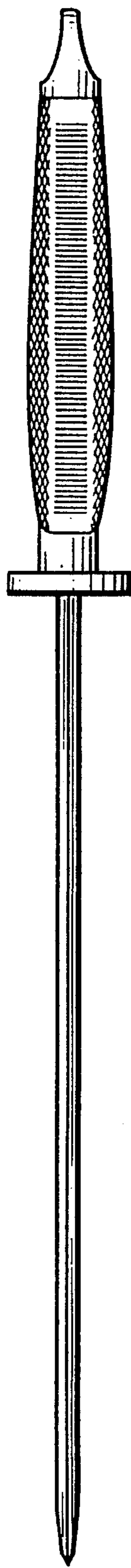


Fig. 2.

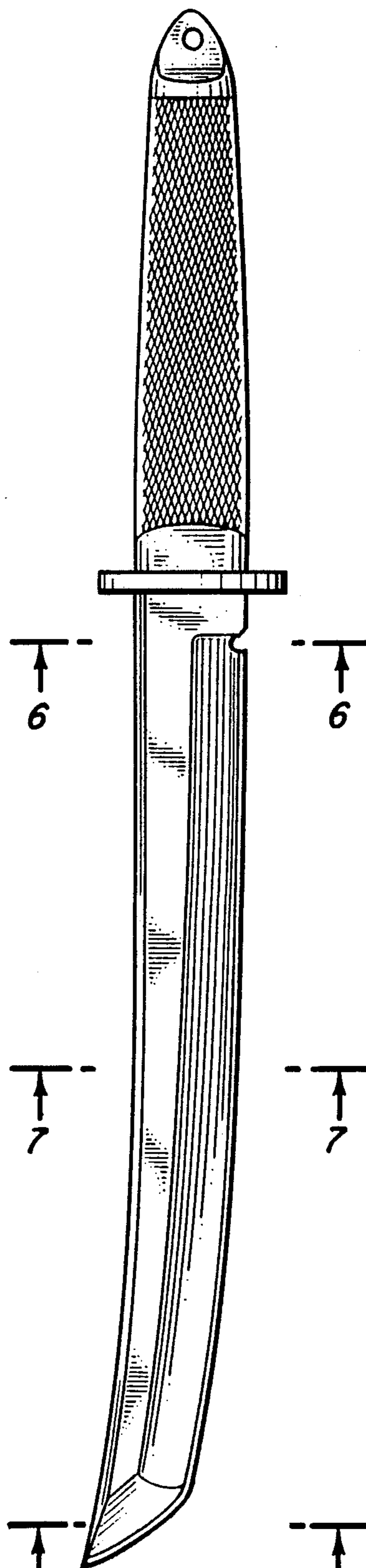


Fig. 1.

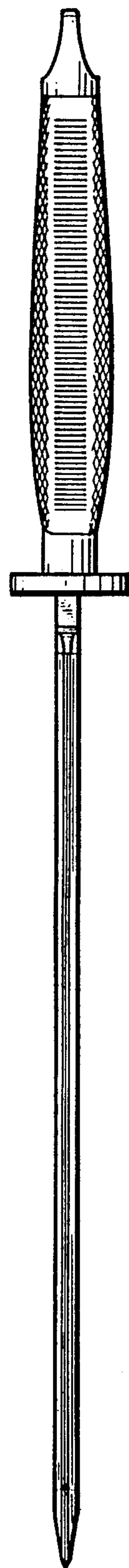
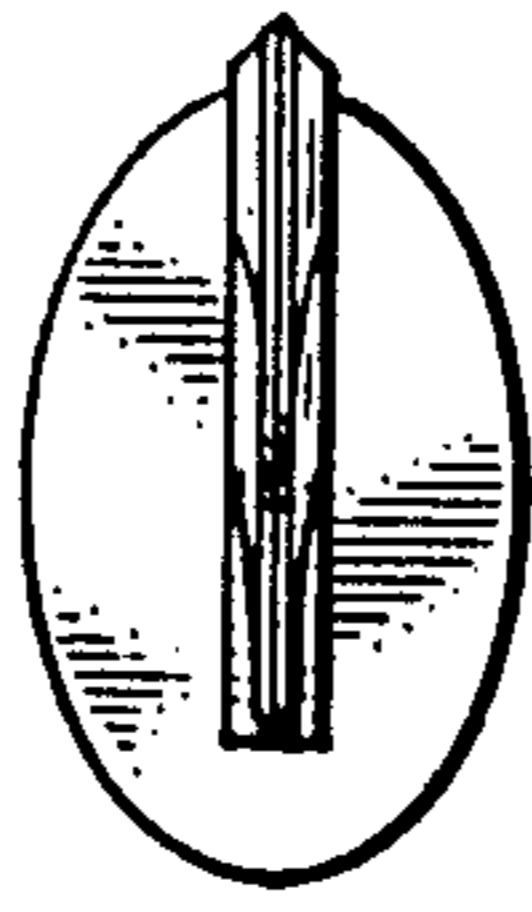
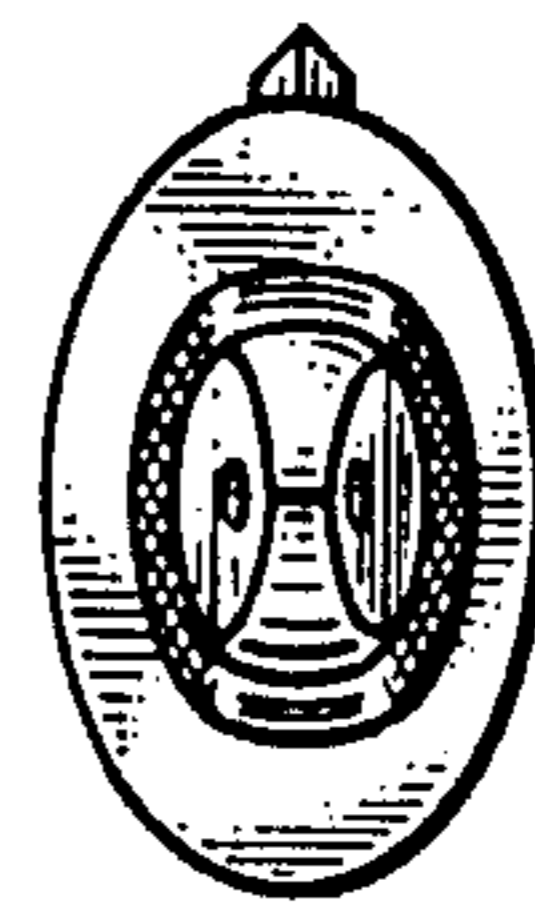


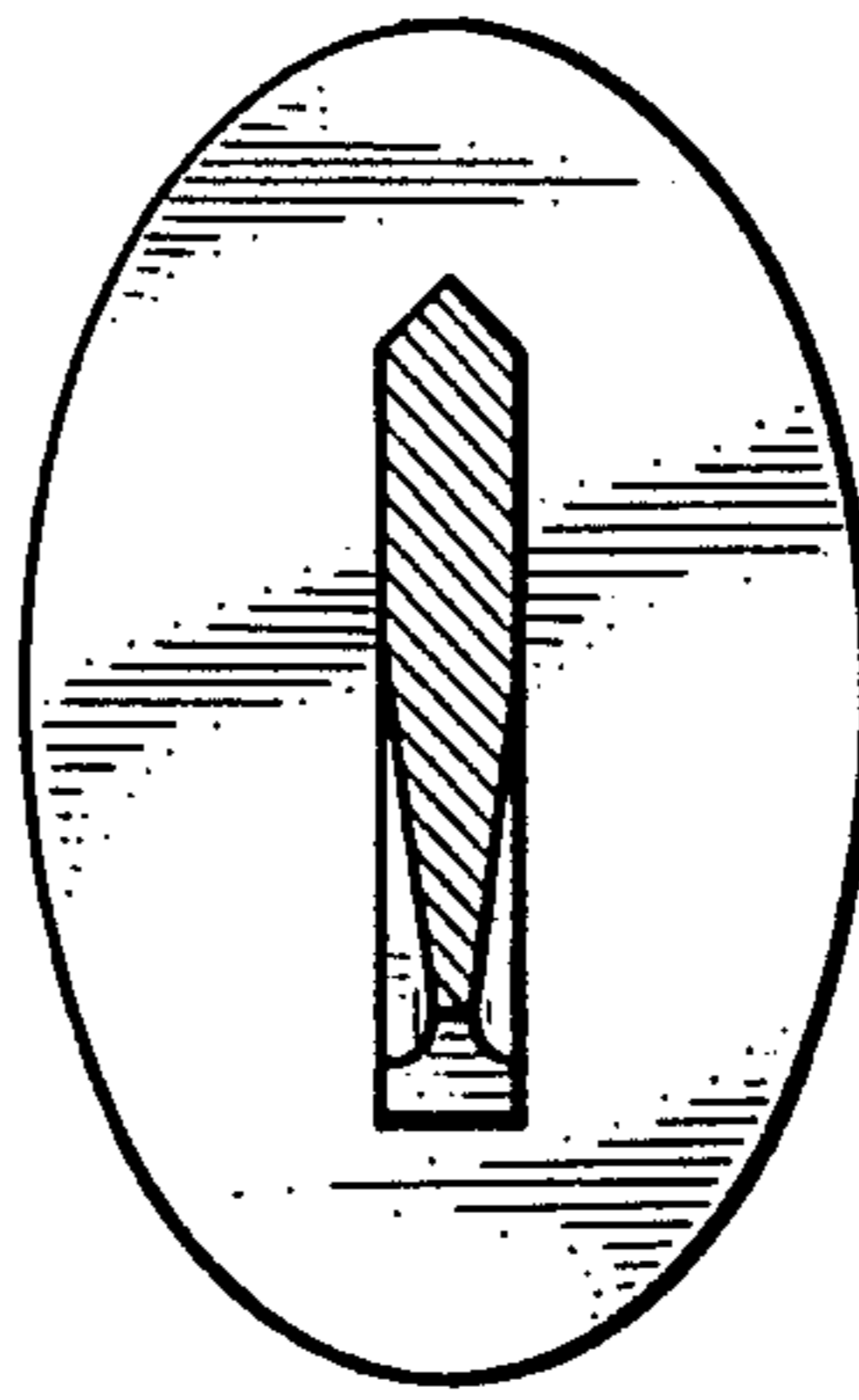
Fig. 3.



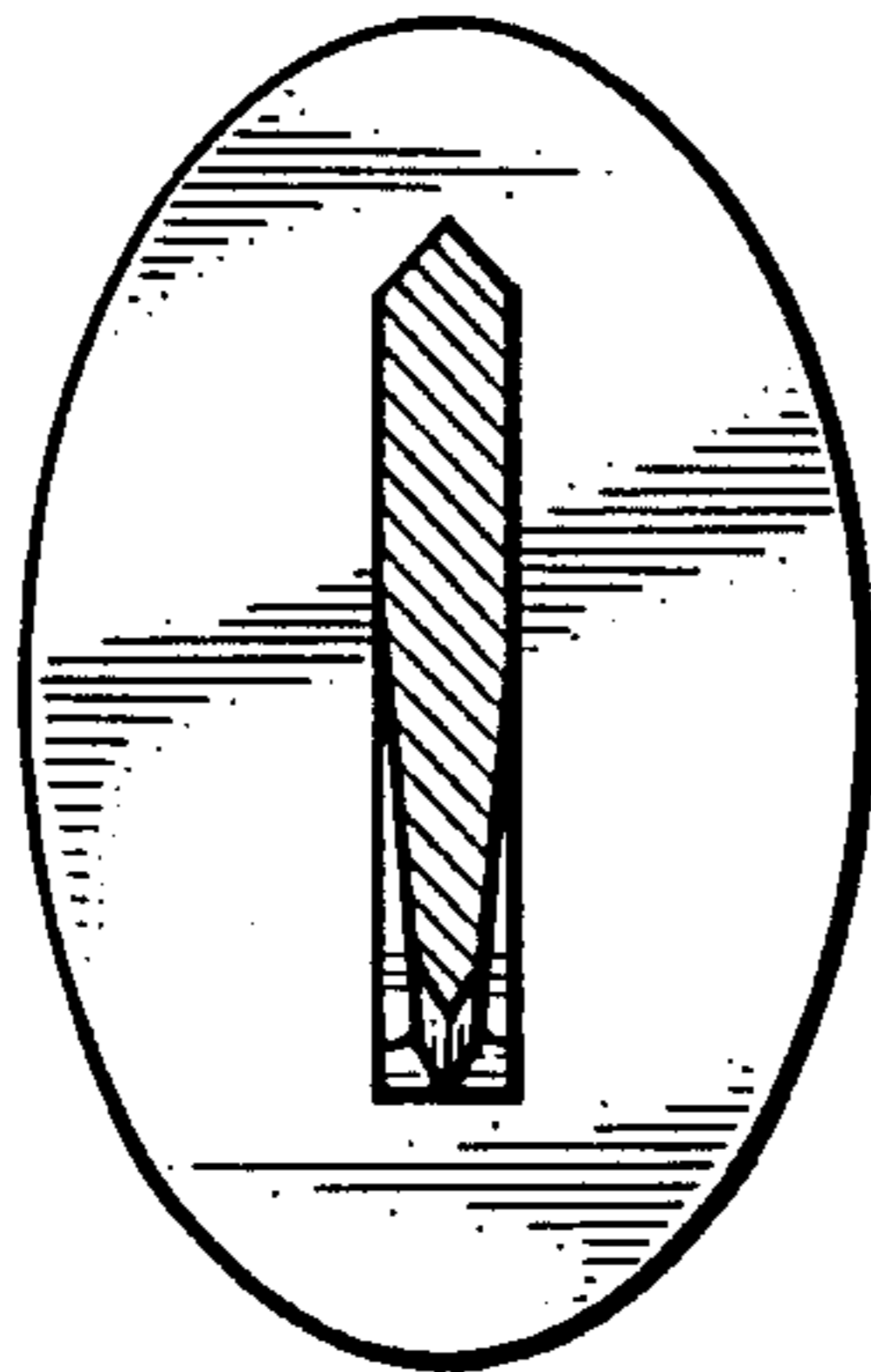
*Fig. 4.*



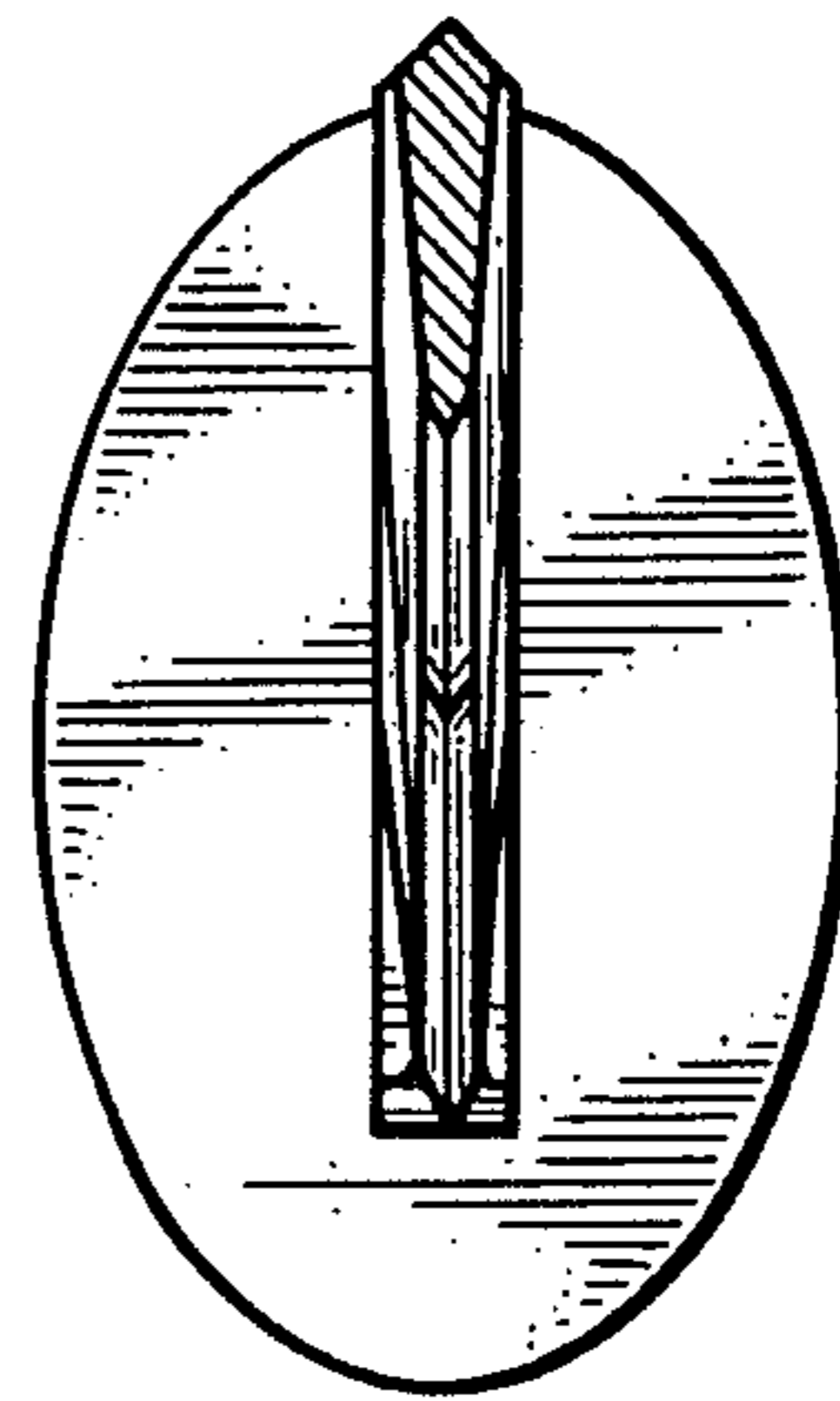
*Fig. 5.*



*Fig. 6.*



*Fig. 7.*



*Fig. 8.*