

[54] **FOOD-CATCHING TRAY**  
[76] **Inventor: Timothy Sheard, 243 W. MacDonald Ave., Richmond, Calif. 94801**  
[\*\*] **Term: 14 Years**  
[21] **Appl. No.: 13,262**  
[22] **Filed: Feb. 10, 1987**  
[52] **U.S. Cl. .... D7/37; D24/31**  
[58] **Field of Search ..... D7/37, 38, 70, 19; 108/43; 224/188, 189, 197, 265, 270; D24/31**

3,009,613 11/1961 Noland ..... 224/265  
3,061,390 10/1962 Walsh et al. .... 108/43

*Primary Examiner*—Winifred E. Herrmann  
*Attorney, Agent, or Firm*—Richard C. Litman

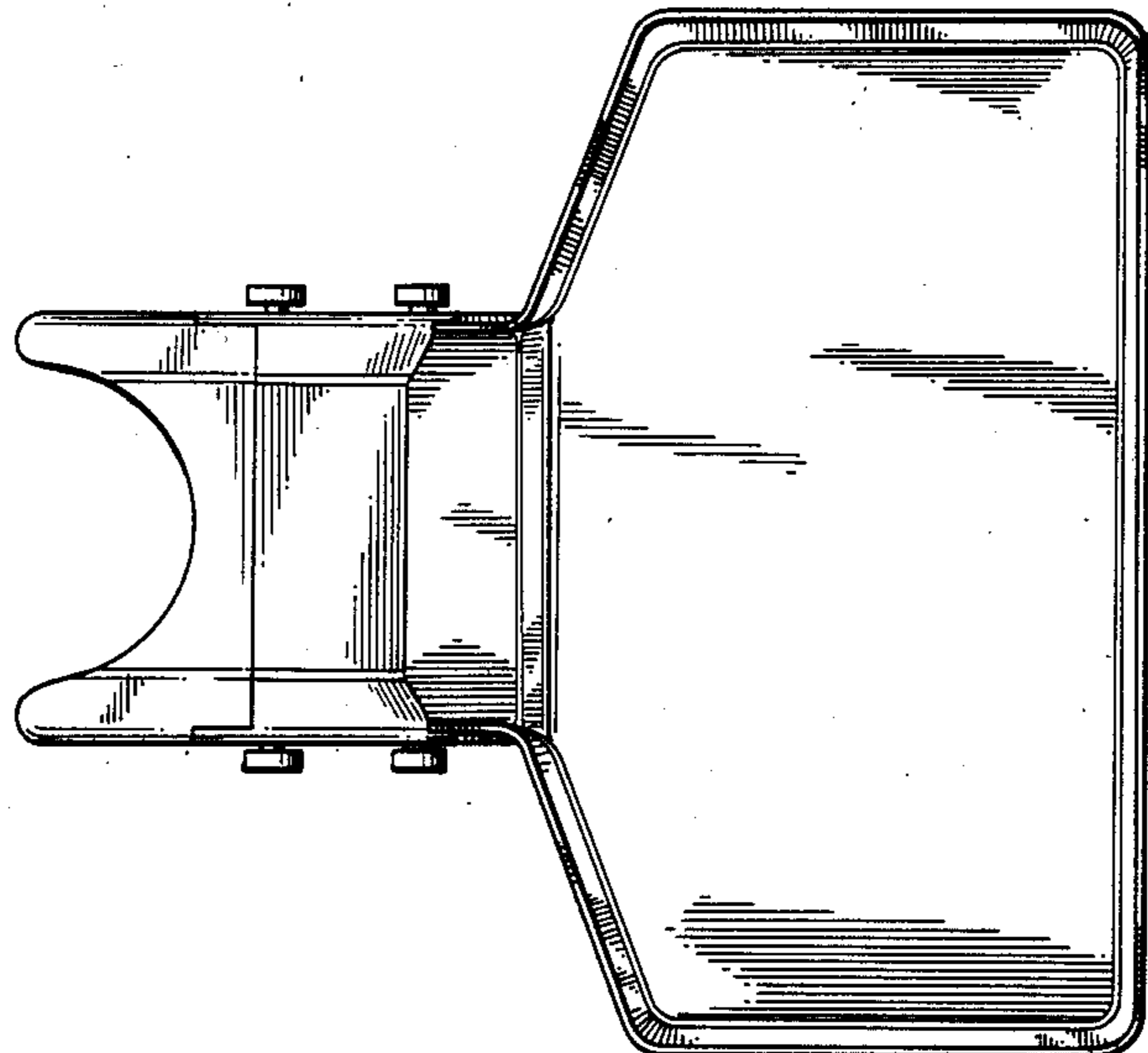
[57] **CLAIM**

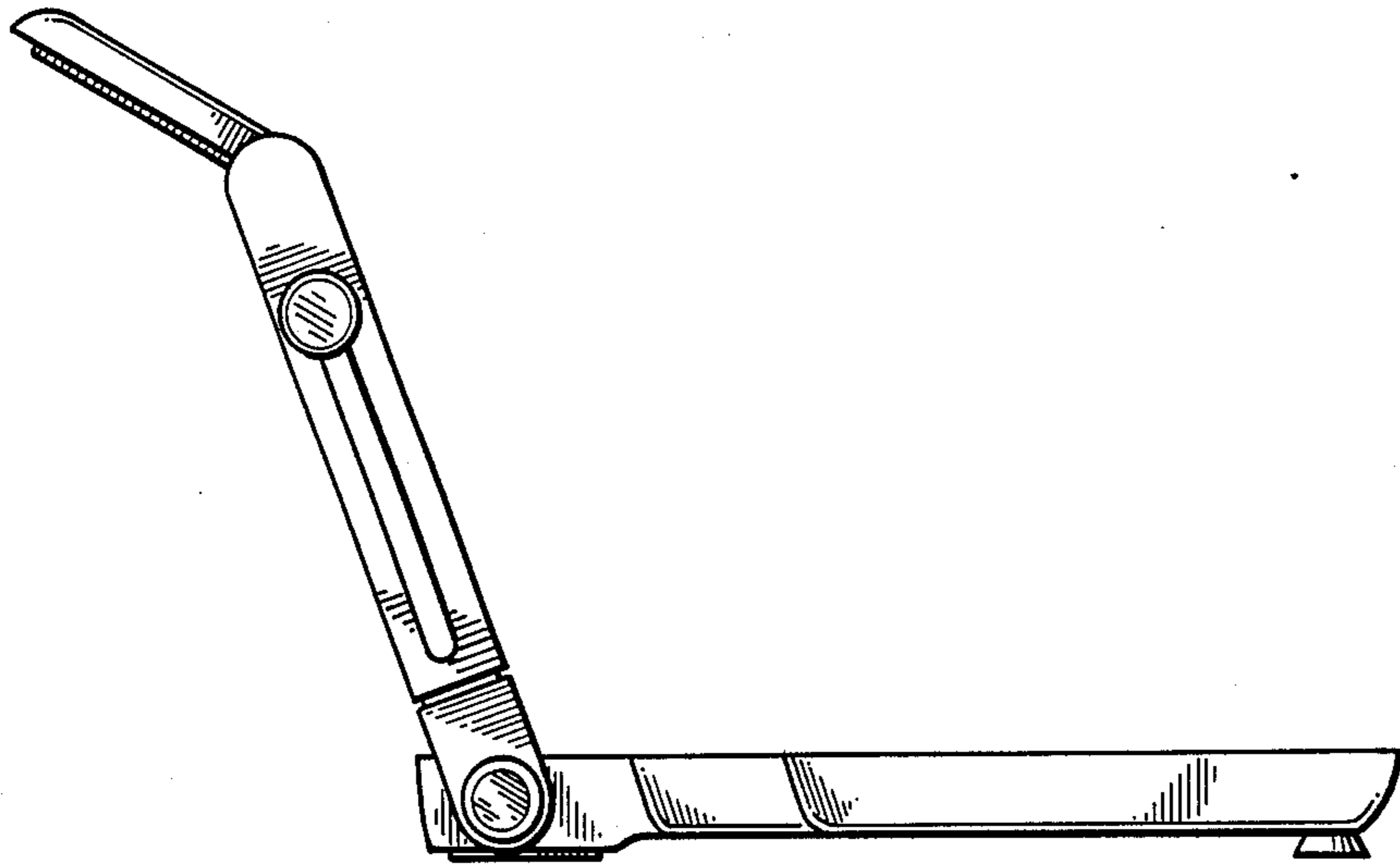
The ornamental design for a food-catching tray, as shown.

**DESCRIPTION**

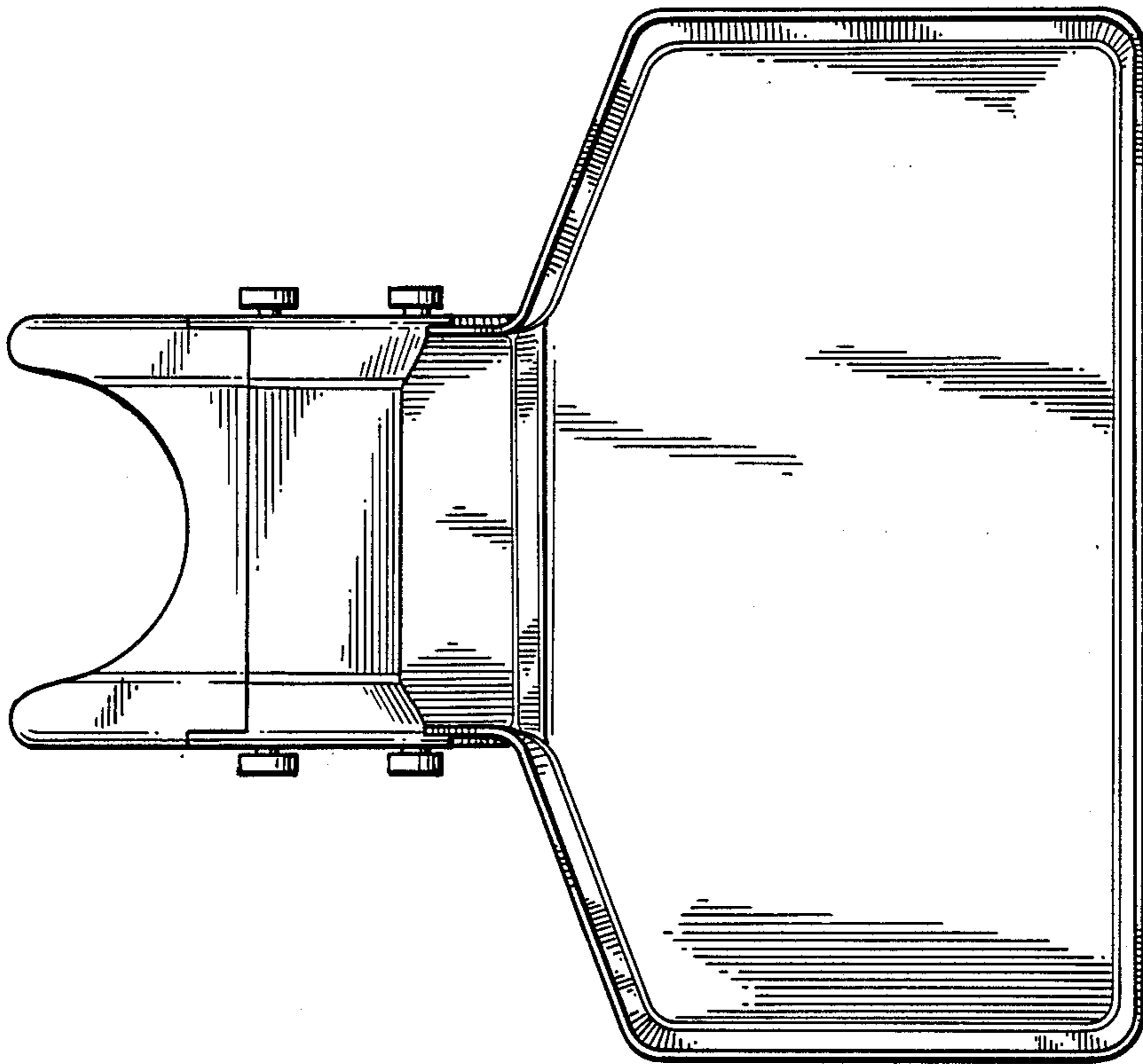
FIG. 1 is a left side elevational view of a food catching tray showing my new design;  
FIG. 2 is a top plan view thereof;  
FIG. 3 is a front elevational view thereof;  
FIG. 4 is a bottom plan view thereof;  
FIG. 5 is a right side elevational view thereof; and  
FIG. 6 is a rear elevational view thereof.

[56] **References Cited**  
**U.S. PATENT DOCUMENTS**  
1,191,425 7/1916 Huddle ..... 108/43  
2,419,229 4/1947 Preis ..... D7/38 X  
2,856,251 10/1958 Garrison ..... D7/37 X

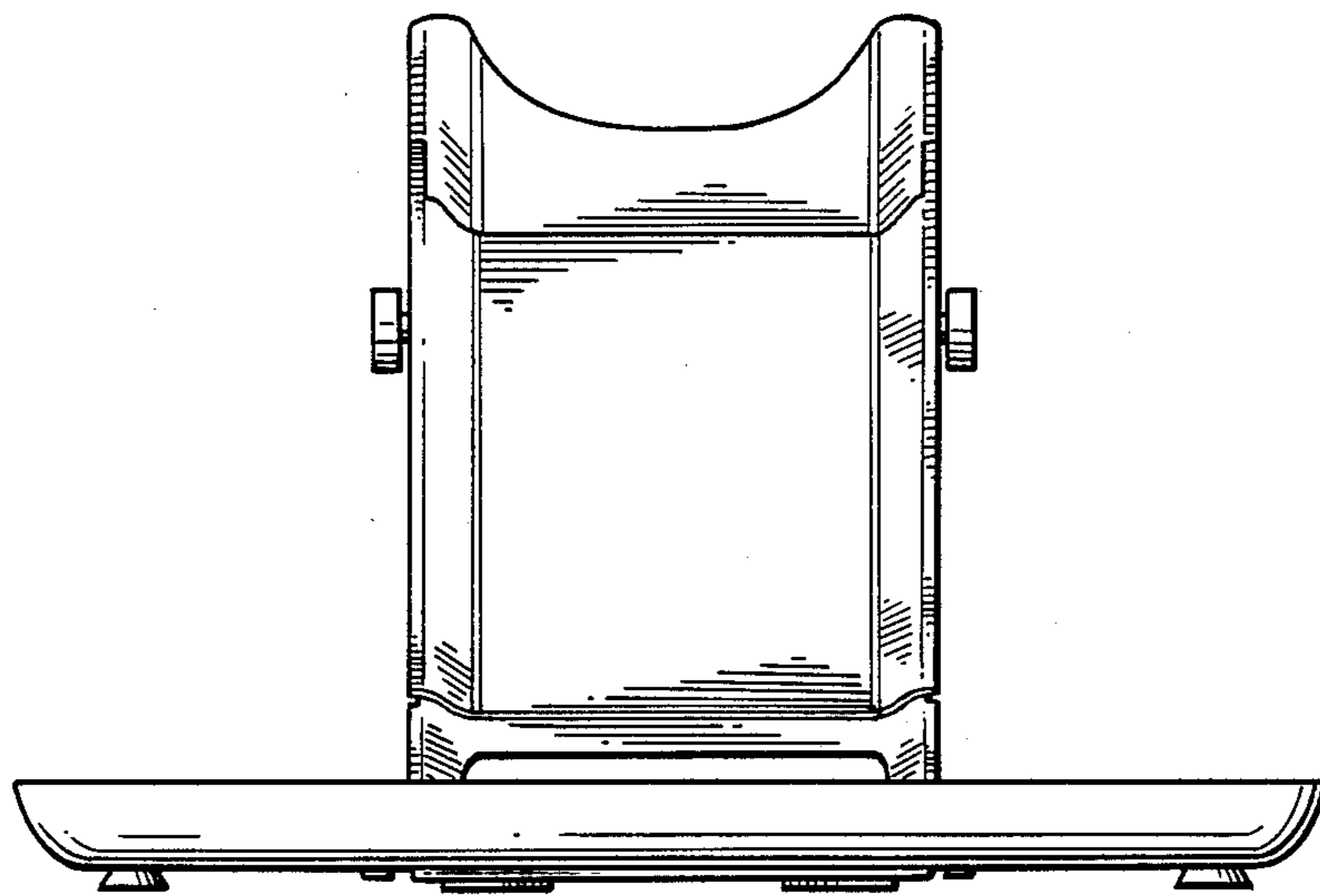




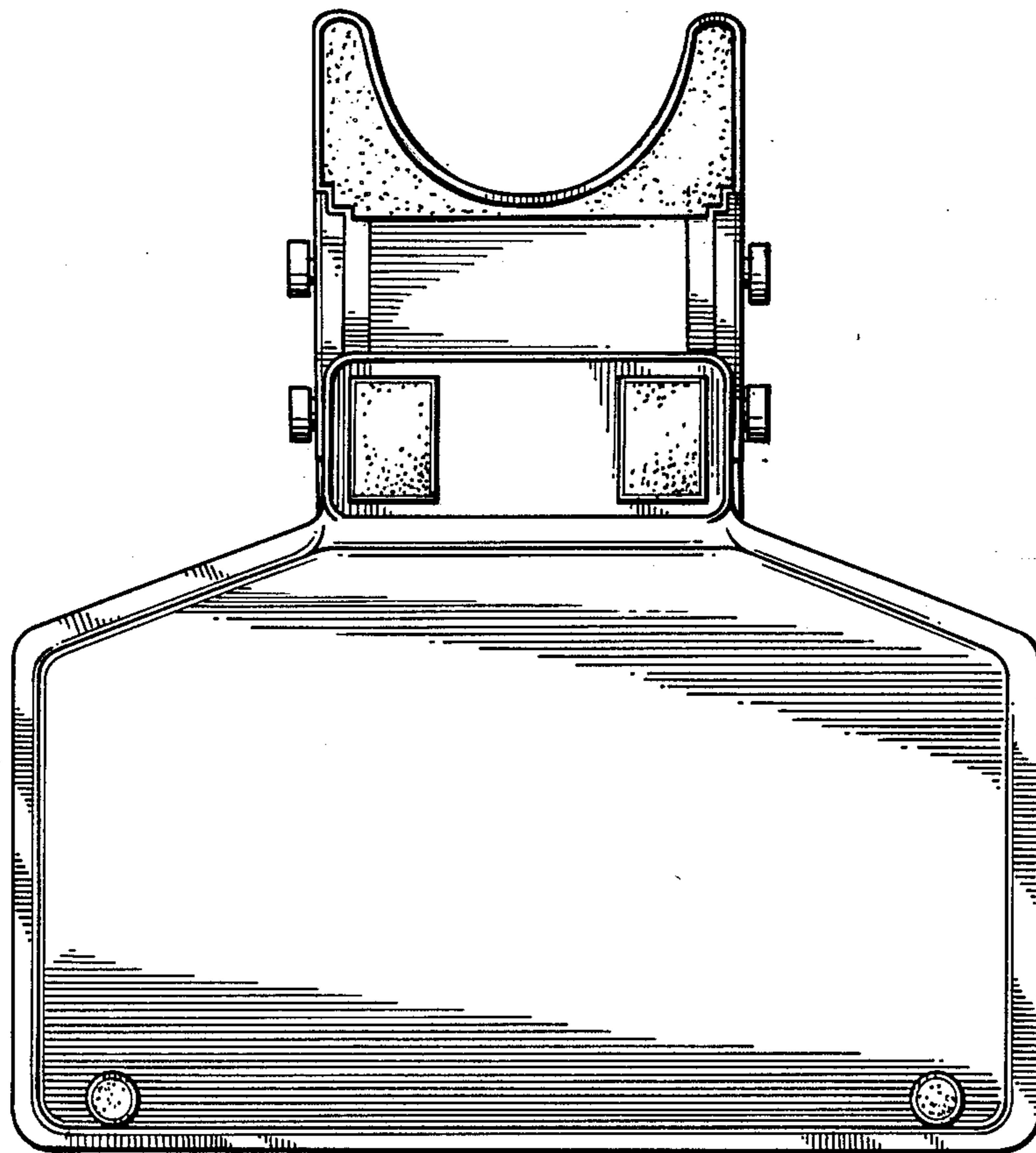
*Fig. 1*



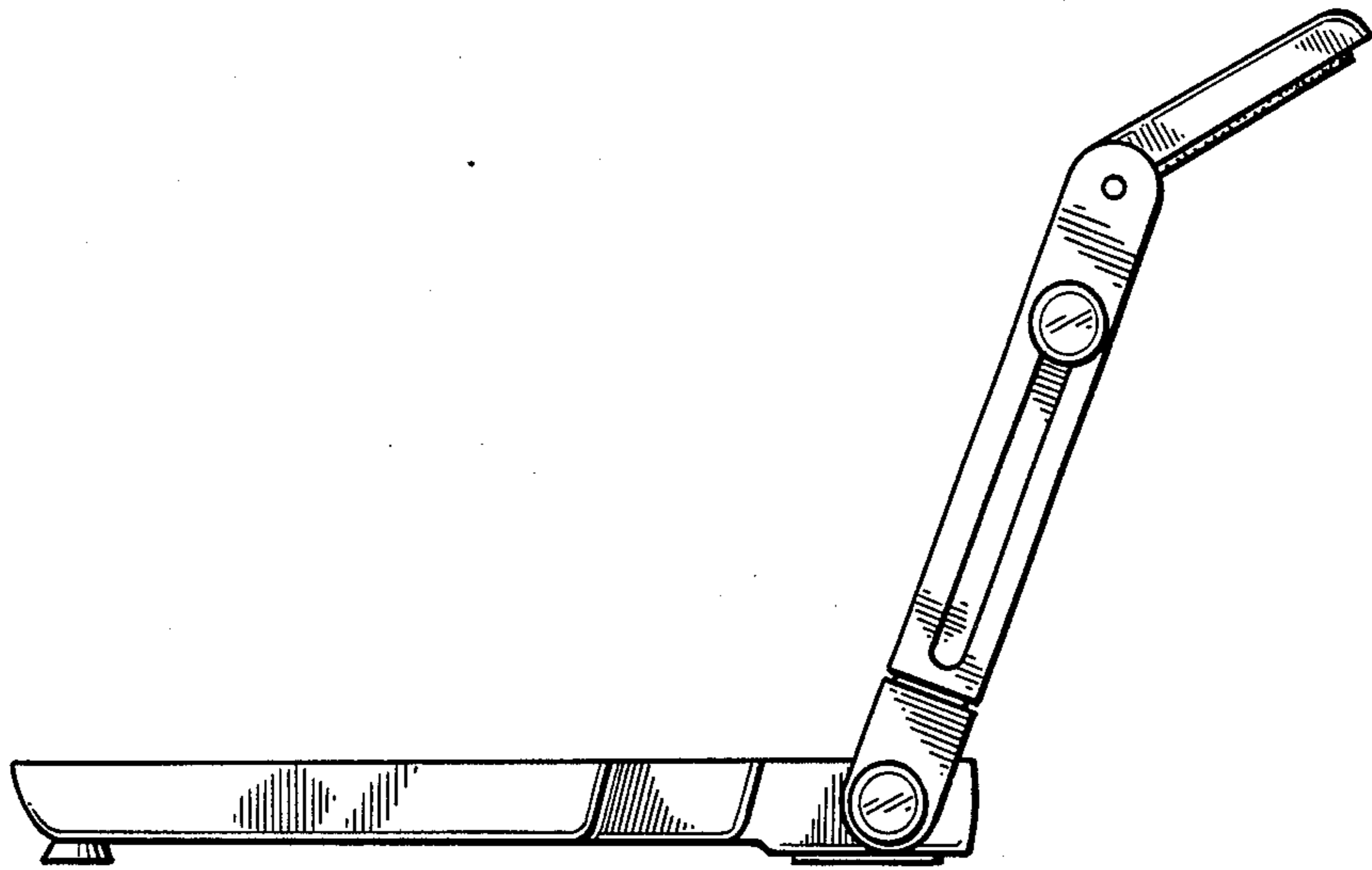
*Fig. 2*



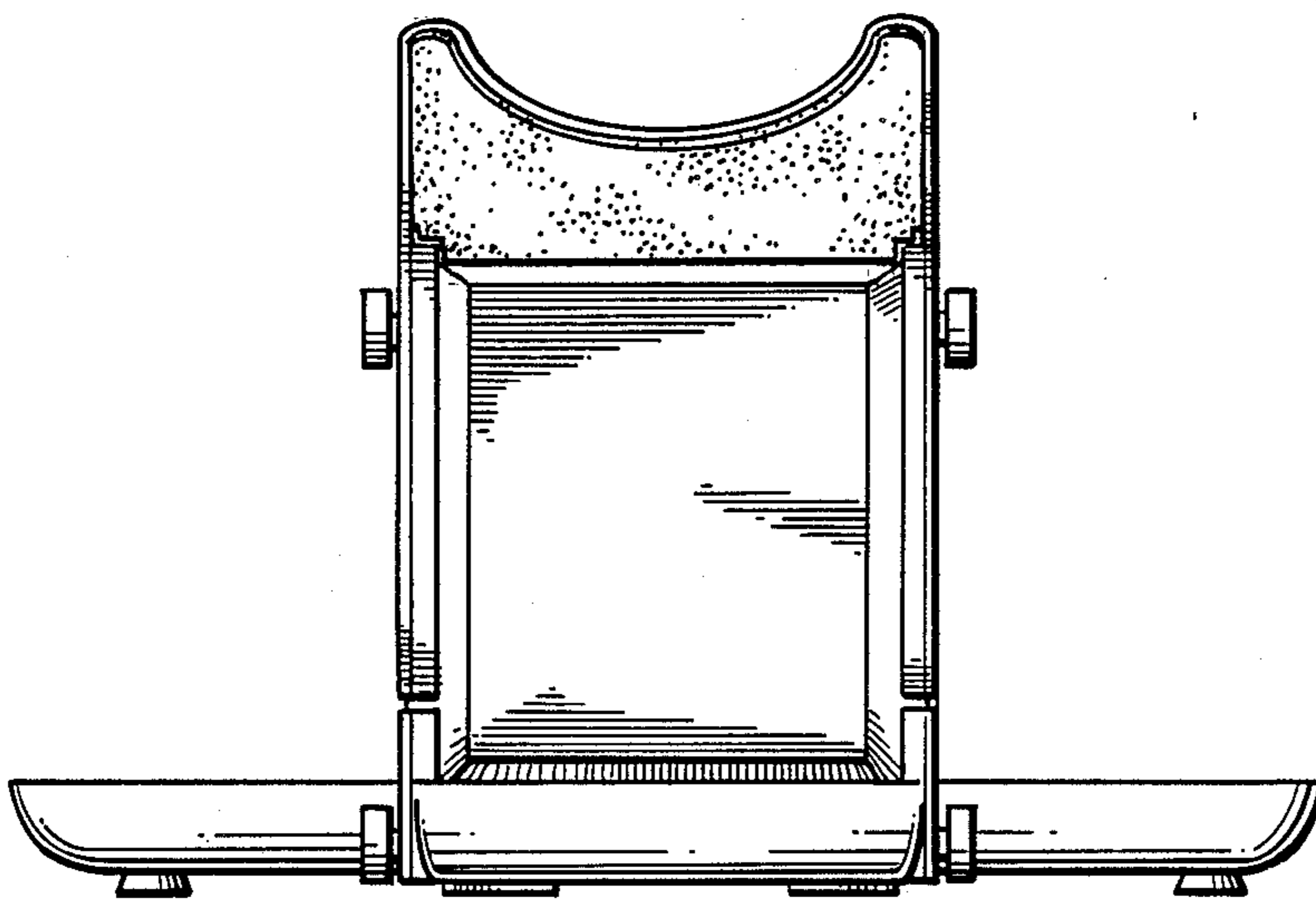
*Fig. 3*



*Fig. 4*



*Fig. 5*



*Fig. 6*