

[54] JEWELRY DISPLAY RACK

[76] Inventor: Doris Burke, 37620 Lola, Sterling Heights, Mich. 48077

[\*\*] Term: 14 Years

[21] Appl. No.: 51,027

[22] Filed: May 18, 1987

[52] U.S. Cl. .... D6/569

[58] Field of Search ..... D6/512, 552-553, D6/567, 569, 572; 211/13, 32, 30

[56] References Cited

U.S. PATENT DOCUMENTS

- 4,141,453 2/1979 Hanan ..... 211/13 X
- 4,390,099 6/1983 Trautlein et al. .... 211/13 X

Primary Examiner—Wallace R. Burke

Assistant Examiner—Brian N. Vinson  
Attorney, Agent, or Firm—John R. Benefiel

[57] CLAIM

The ornamental design for a jewelry display rack, as shown and described.

DESCRIPTION

FIG. 1 is a perspective view of a jewelry display rack showing my new design, with one of the pins shown removed;

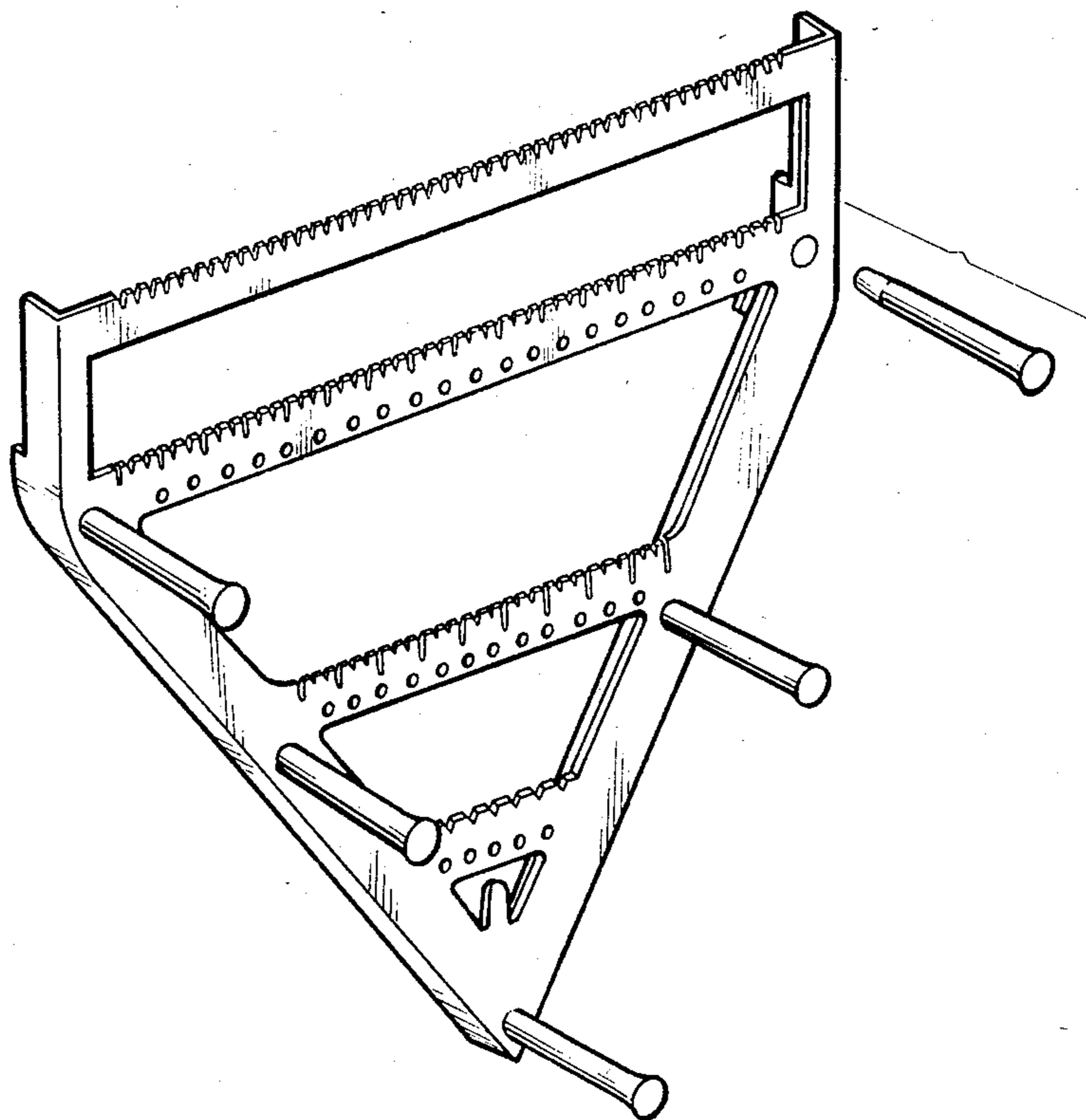
FIG. 2 is a right side elevational view thereof, the left side being a mirror image of that shown;

FIG. 3 is a front elevational view thereof;

FIG. 4 is an enlarged fragmentary sectional view thereof, taken along line 4—4 of FIG. 3;

FIG. 5 is a top plan view thereof; and

FIG. 6 is a rear elevational view thereof.



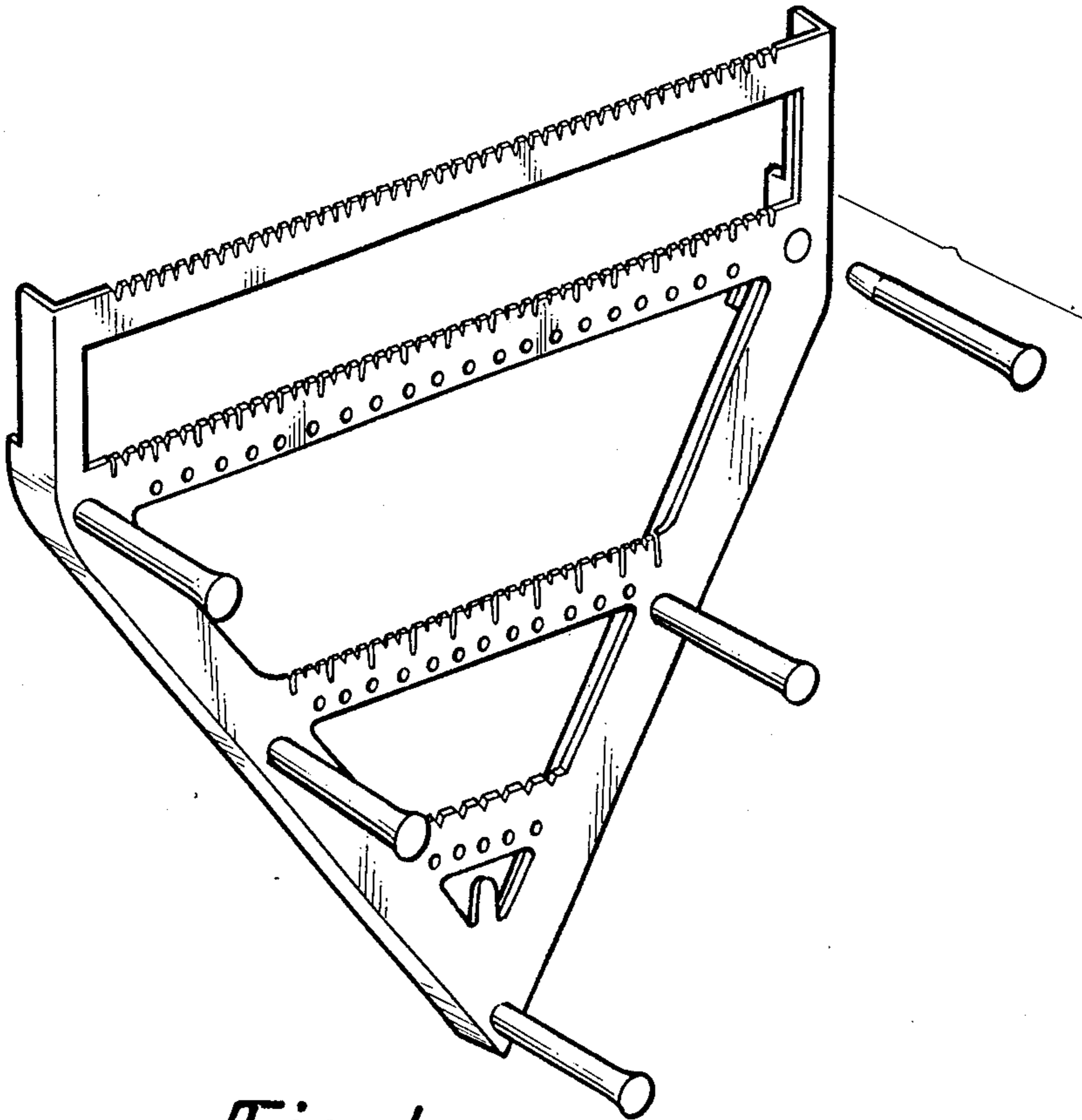


Fig-1

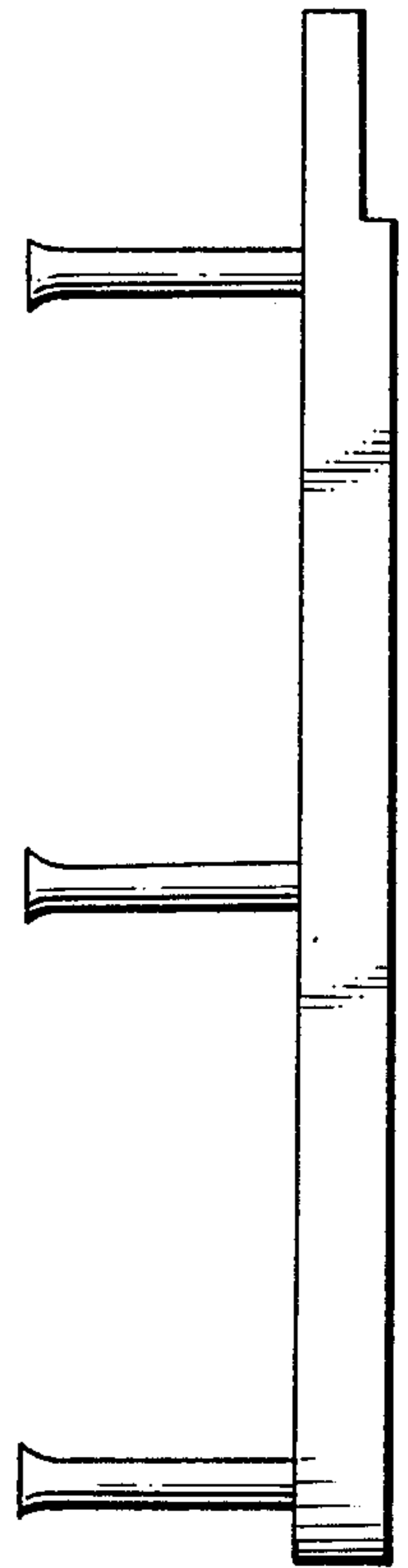


Fig-2

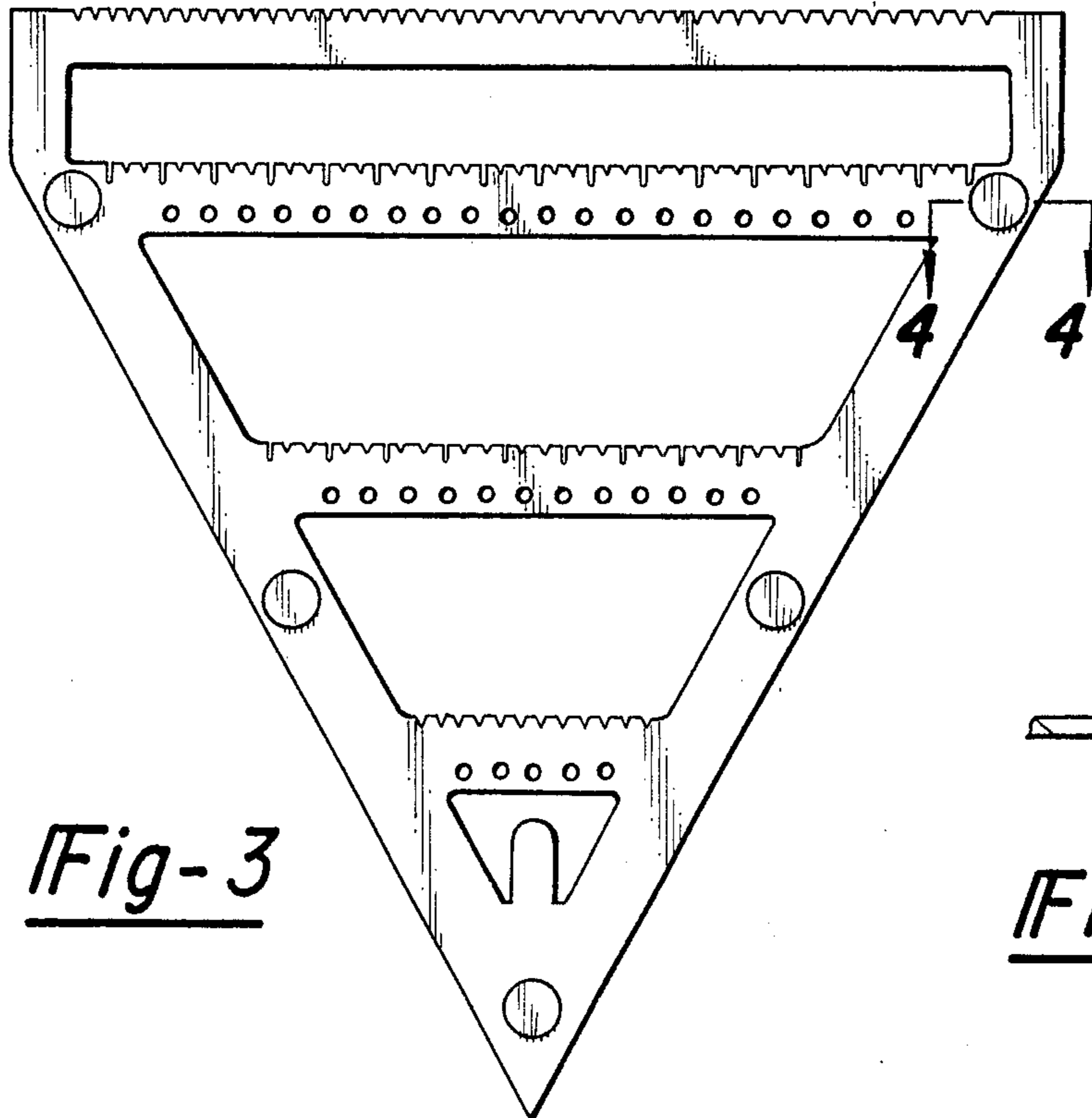


Fig-3

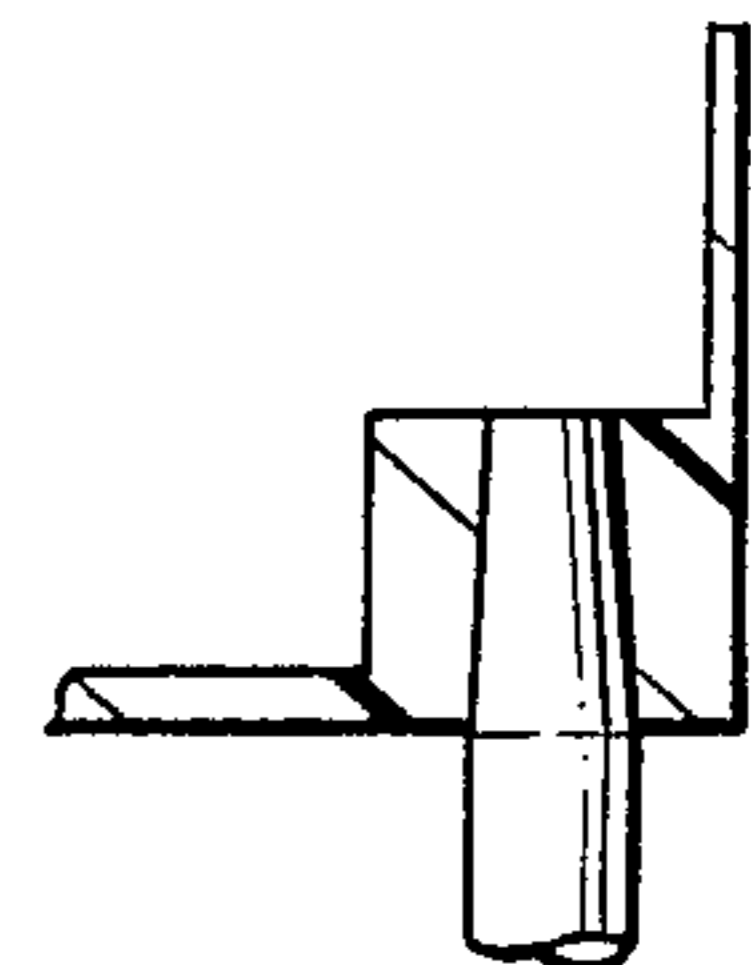


Fig-4

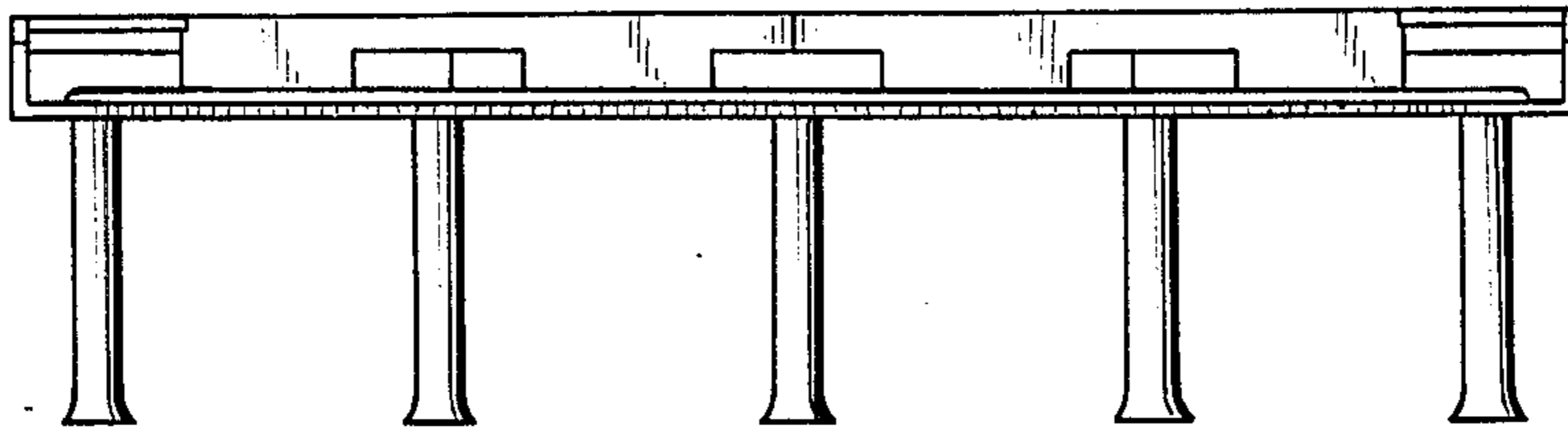


Fig-5

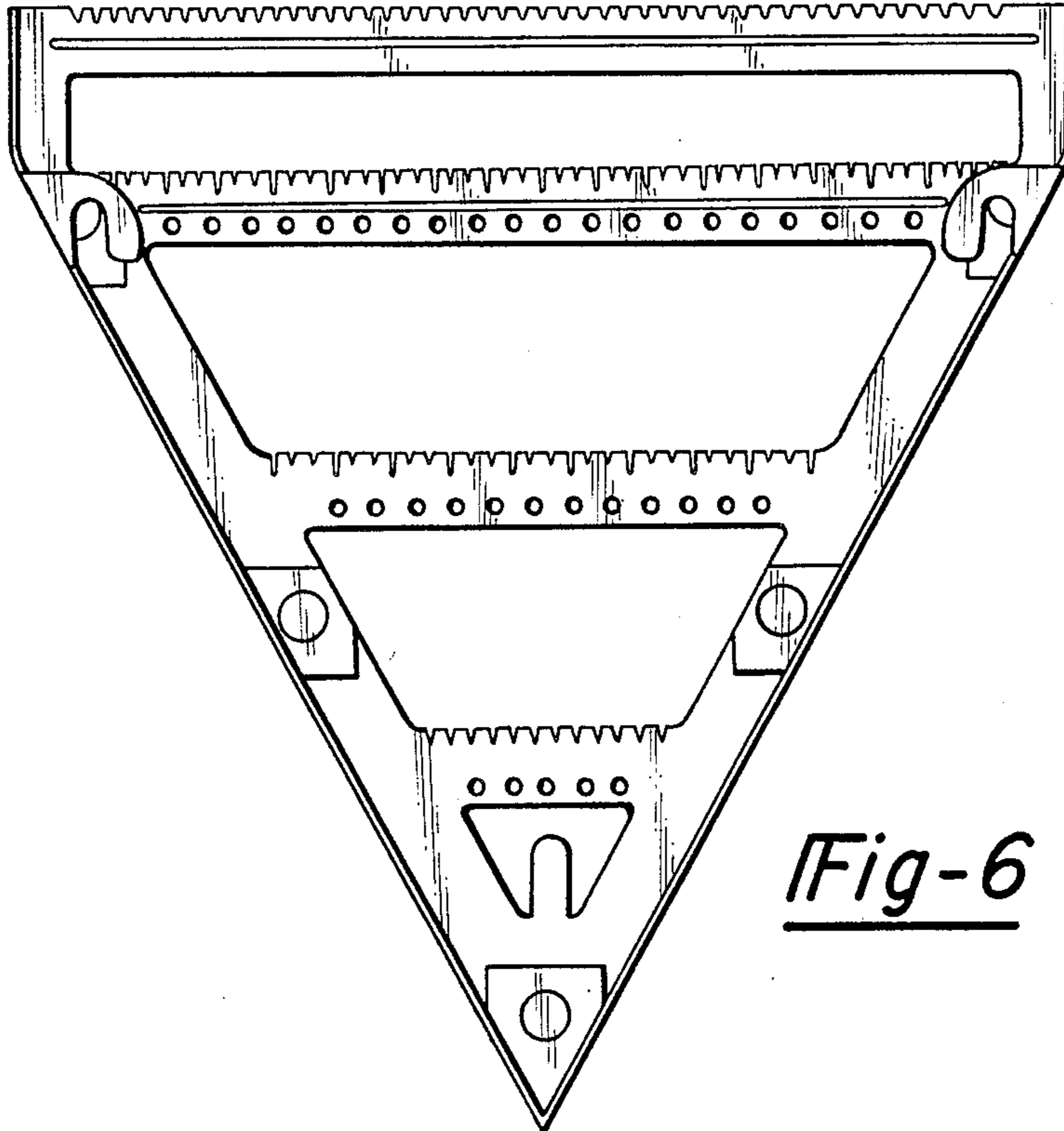


Fig-6