

[54] **MIRRORED CABINET**

4,267,430 5/1981 Downey 312/224 X
4,752,863 6/1988 Parrott 312/224 X

[76] Inventor: **Heinz G. Baus**, 35 Wartbodenstrasse,
CH-3626 Hünibach-Thun,
Switzerland

OTHER PUBLICATIONS

NuTone Catalogue—Bath Cabinets (1979) p. L11,
“Avanta” Mirror.
Marienbad Catalogue (1983) p. 16, No. 02101-82.

[**] Term: **14 Years**

Primary Examiner—Wallace R. Burke
Assistant Examiner—Brian N. Vinson
Attorney, Agent, or Firm—Foley & Lardner, Schwartz,
Jeffery, Schwaab, Mack, Blumenthal & Evans

[21] Appl. No.: **85,694**

[22] Filed: **Aug. 17, 1987**

[30] **Foreign Application Priority Data**

Feb. 19, 1987 [DE] Fed. Rep. of
Germany URA198/87

[52] U.S. Cl. **D6/559; D6/309**

[58] Field of Search D6/399, 432, 444, 448,
D6/553, 559, 300, 309; D26/51, 56, 58;
D28/64.1, 64.3

[57] **CLAIM**

The ornamental design for a mirrored cabinet, as shown
and described.

[56] **References Cited**

U.S. PATENT DOCUMENTS

D. 163,448 5/1951 Eckert D6/559
D. 243,491 3/1977 Vrignand D6/561
D. 280,877 10/1985 Chabanet D6/561
3,684,344 8/1972 Gillinger 312/224 X
3,737,646 6/1973 Burrows 312/224 X

DESCRIPTION

FIG. 1 is a front perspective view of a mirrored cabinet
with lights showing my new design;
FIG. 2 is a front elevational view thereof;
FIG. 3 is a top plan view thereof; the bottom view is a
mirror image of the view illustrated in this figure;
FIG. 4 is a side elevational view thereof; the other side
view is a mirror image of the view illustrated in this
figure; and
FIG. 5 is a rear view thereof.

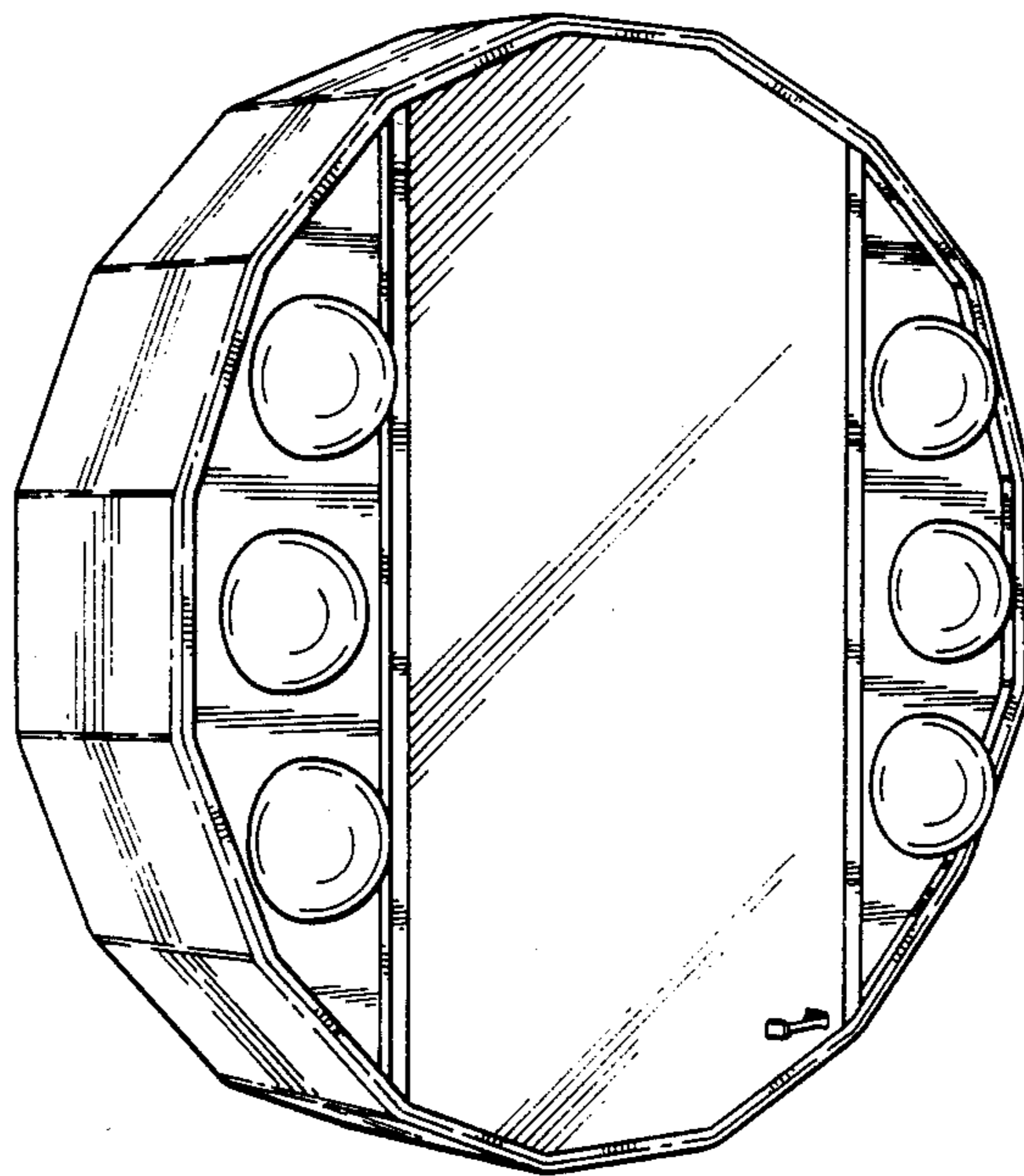


FIG. 1

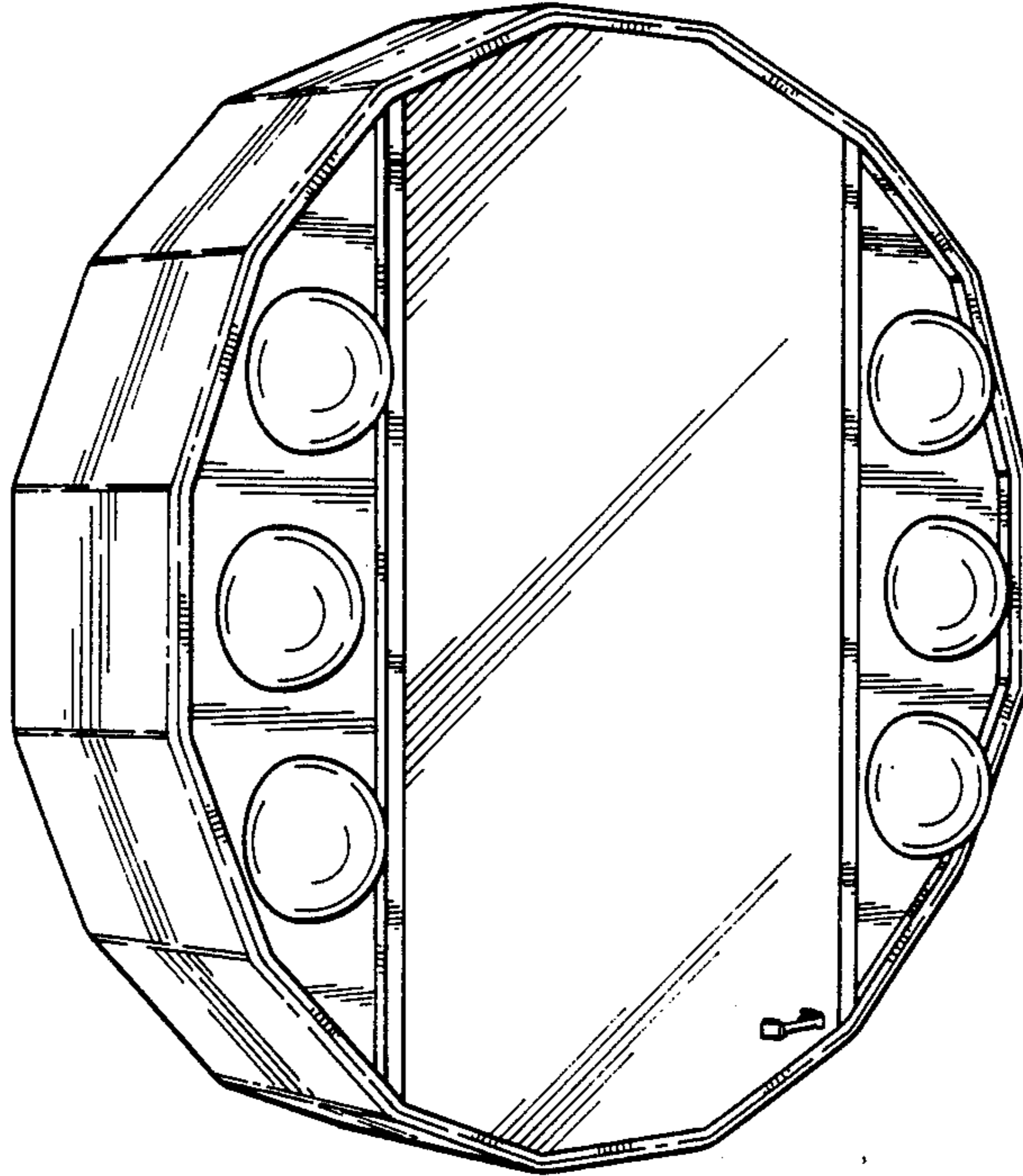


FIG. 3

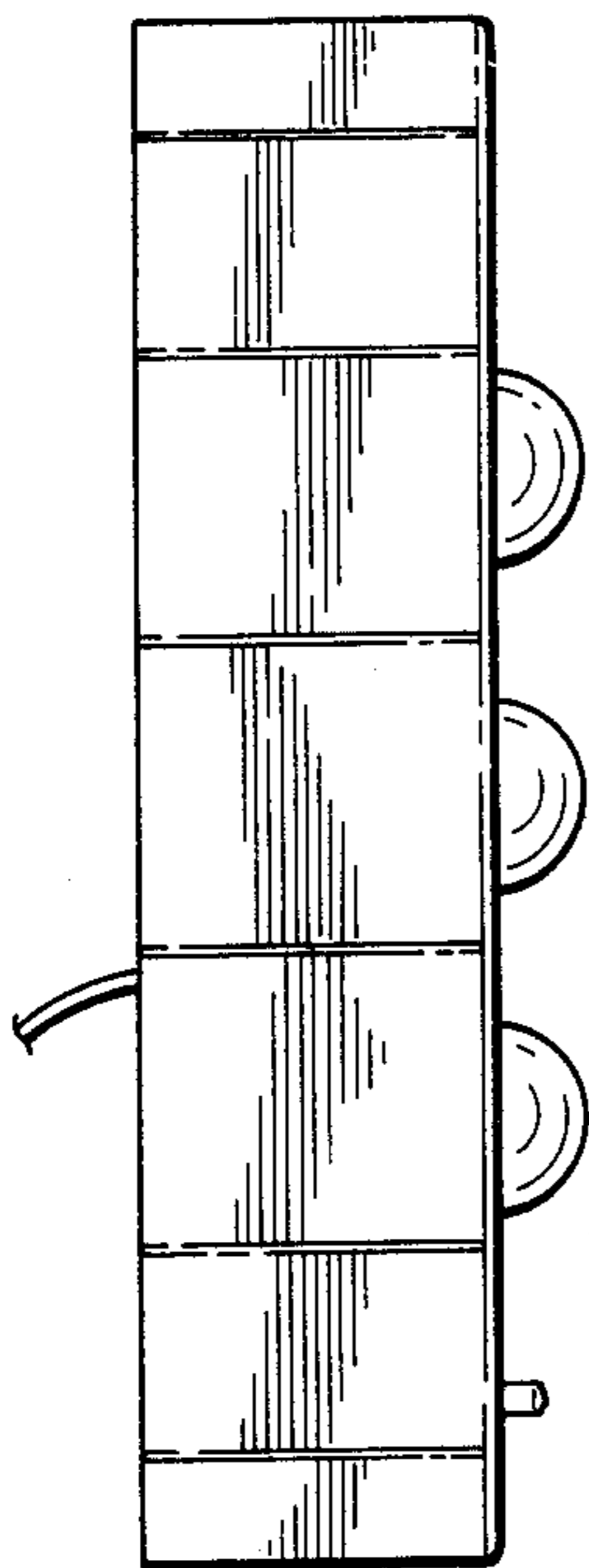
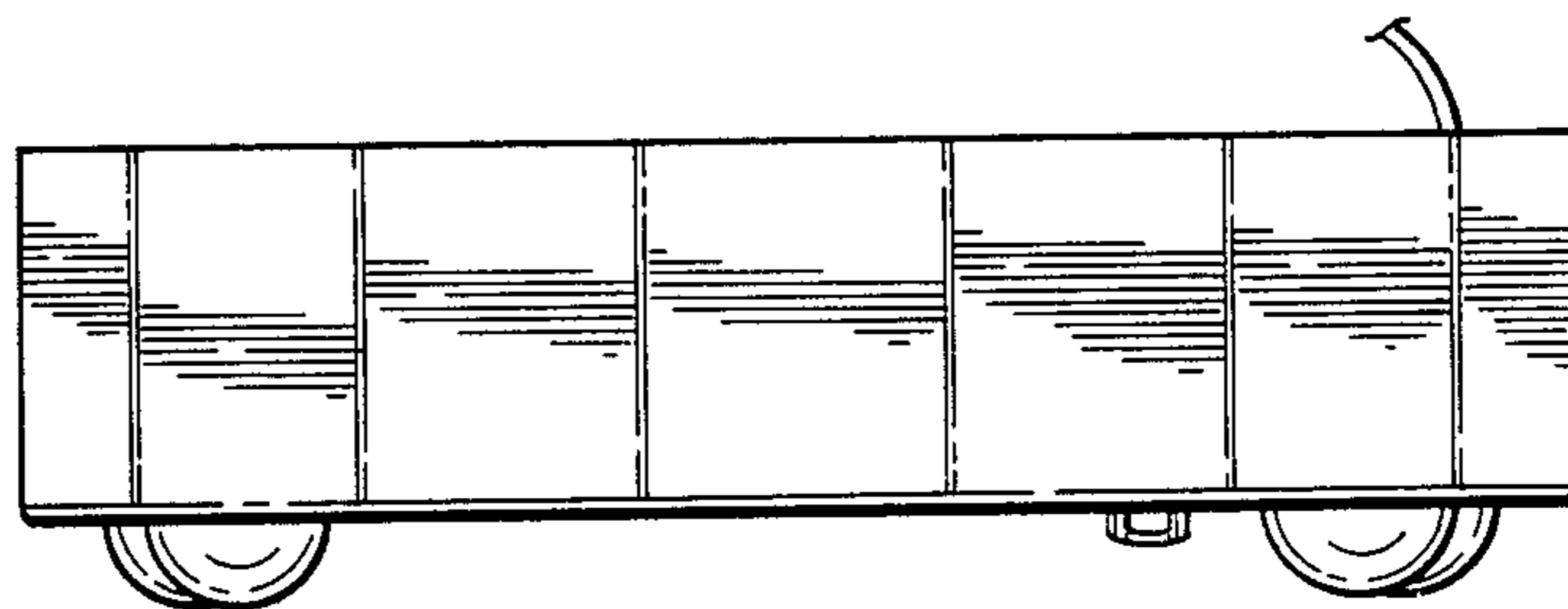


FIG. 4

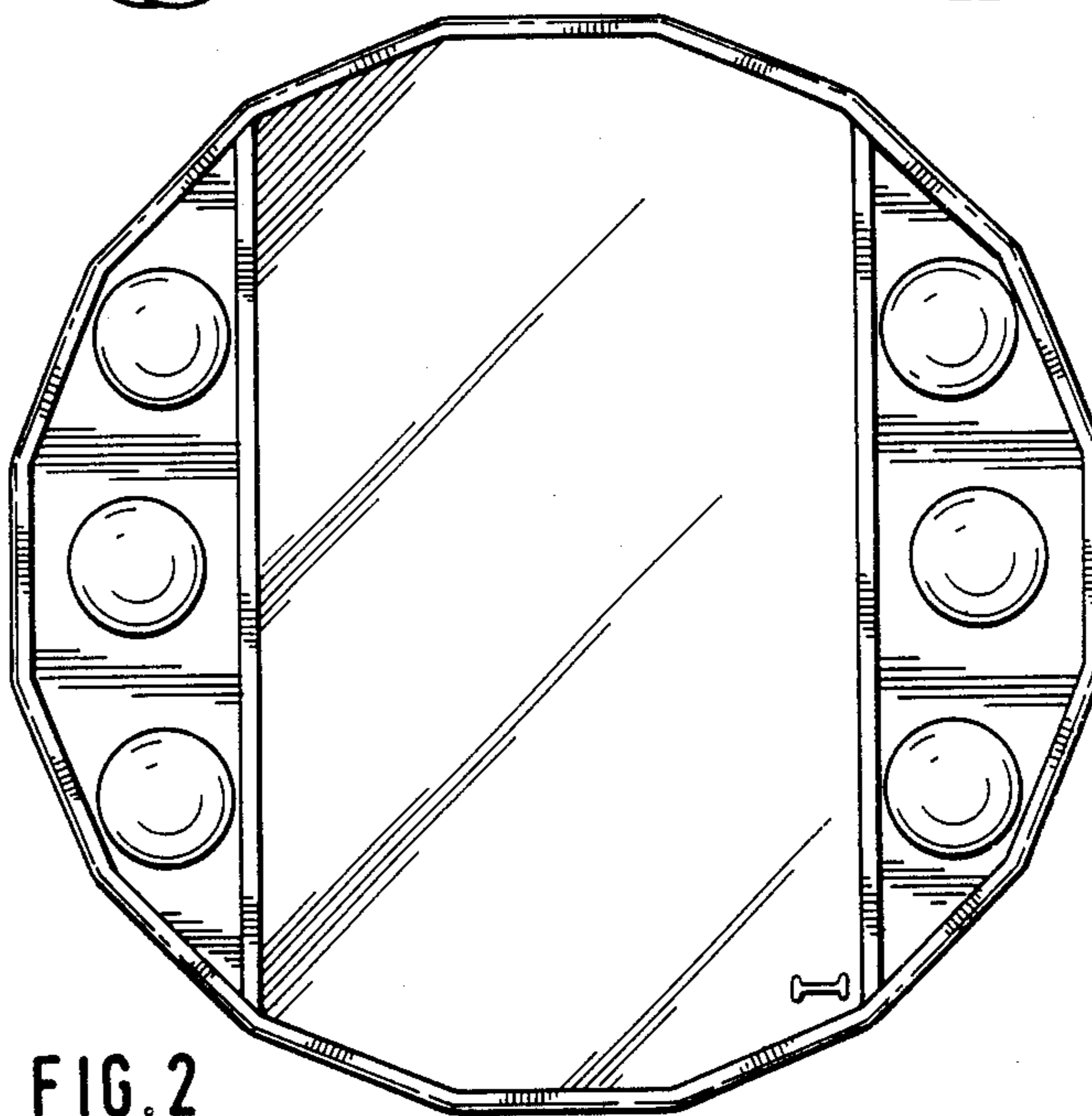


FIG. 2

FIG. 5

