

[54] **SUSPENDED CUP HOLDER**

[76] **Inventor: Jerry L. Pliett, 1329 Spring Brook Rd., Fort Wayne, Ind. 46825**

[**] **Term: 14 Years**

[21] **Appl. No.: 20,675**

[22] **Filed: Mar. 2, 1987**

[52] **U.S. Cl. D6/514**

[58] **Field of Search D7/76, 71; D9/455; 211/113, 125, 119; D6/514, 513; 248/317**

[56] **References Cited**

U.S. PATENT DOCUMENTS

1,691,123 11/1928 Pajeau 248/317

OTHER PUBLICATIONS

Christmas Woodward & Lothrop catalog, 1980, p. 27, Walnut Cup Rack, Item B.

Primary Examiner—Bernard Ansher
Assistant Examiner—Terry A. Pfeffer
Attorney, Agent, or Firm—Barnes & Thornburg

[57] **CLAIM**

The ornamental design for a suspended cup holder, as shown and described.

DESCRIPTION

FIG. 1 is a perspective view of a suspended cup holder showing my new design;

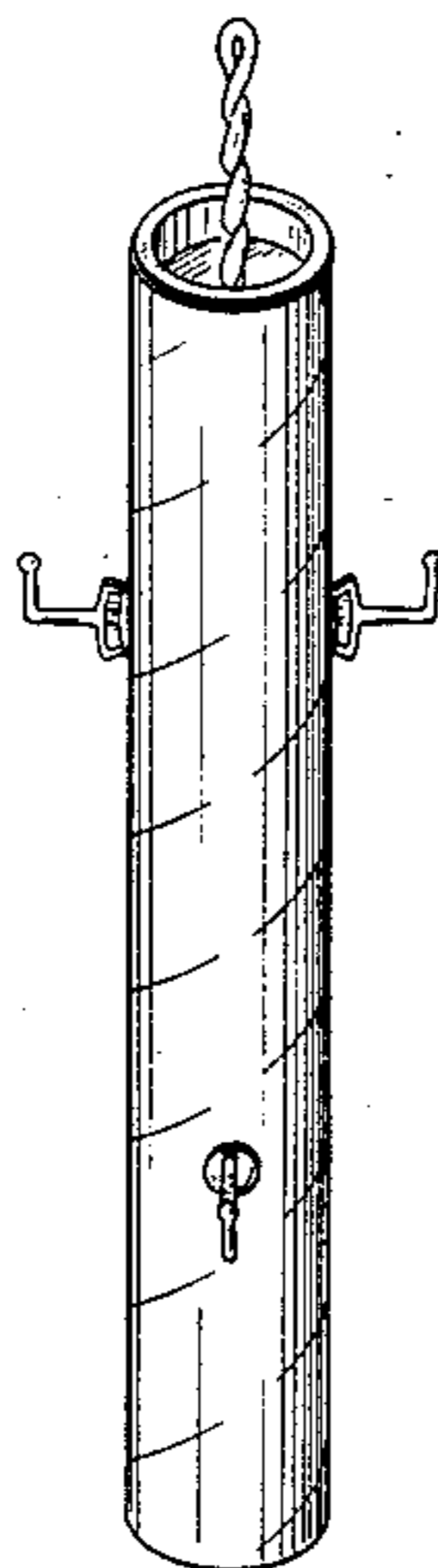
FIG. 2 is a front elevational view thereof with the rear elevational view being similar thereto;

FIG. 3 is a side elevational view thereof with the opposing side elevational view being similar thereto;

FIG. 4 is a top plan view thereof; and

FIG. 5 is a bottom plan view thereof.

The hook in broken lines shown in FIG. 3 is for illustrative purposes only.



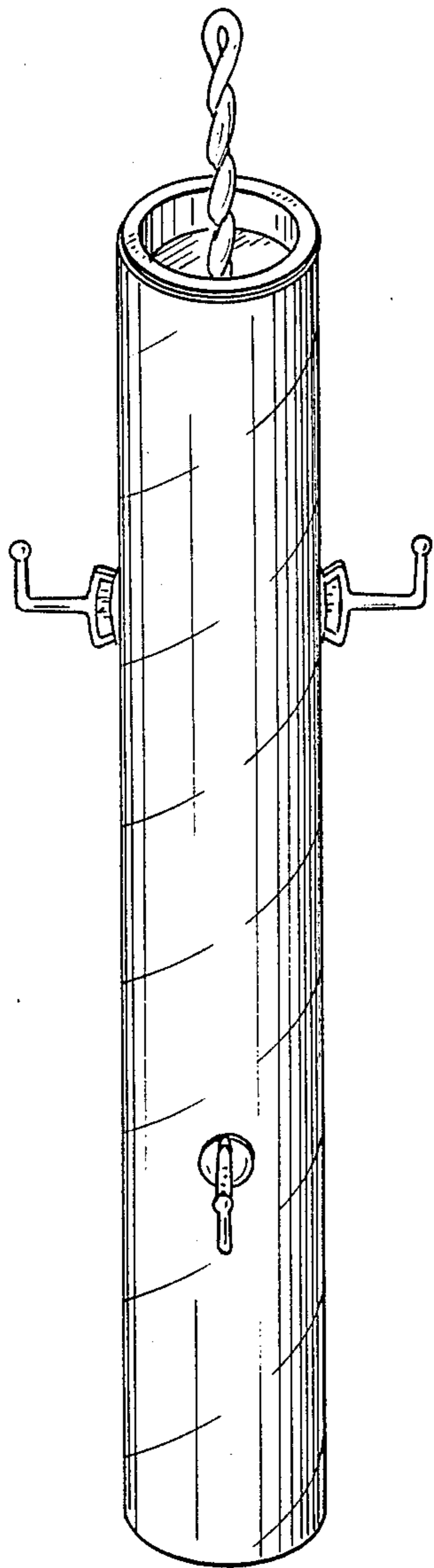


FIG. 1

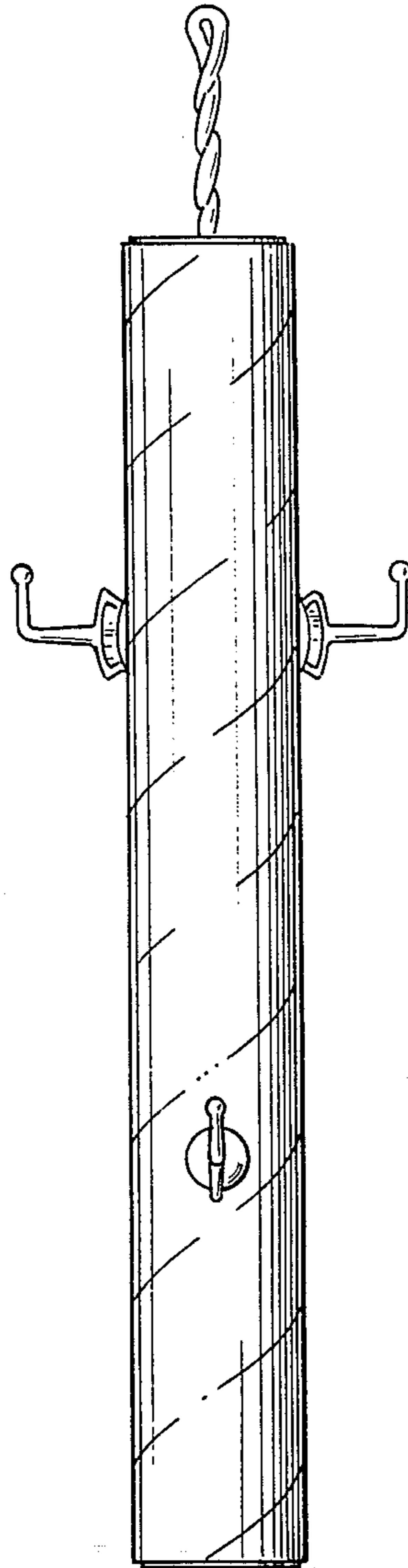


FIG. 2

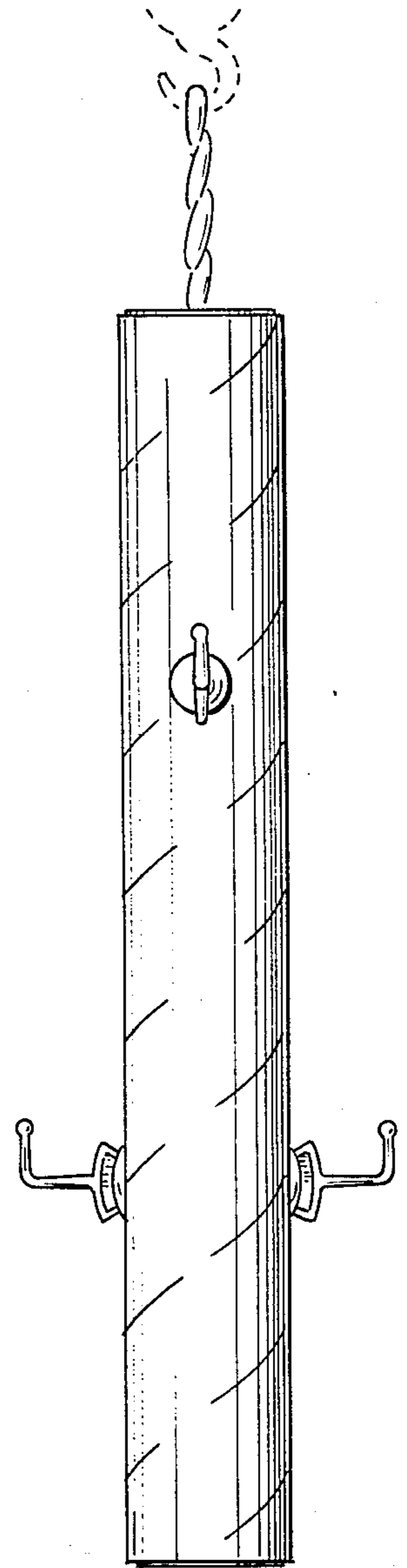


FIG. 3

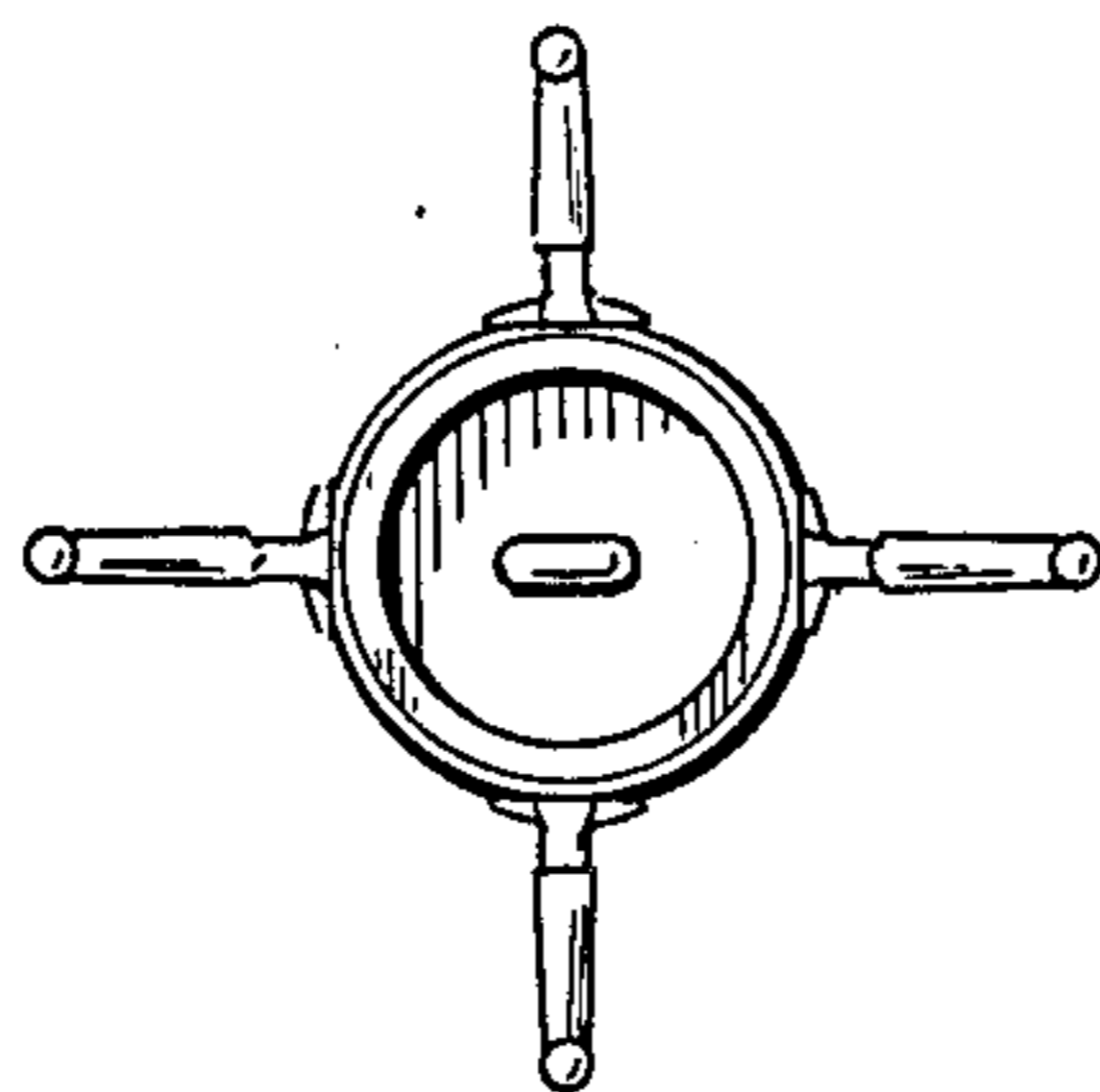


FIG. 4

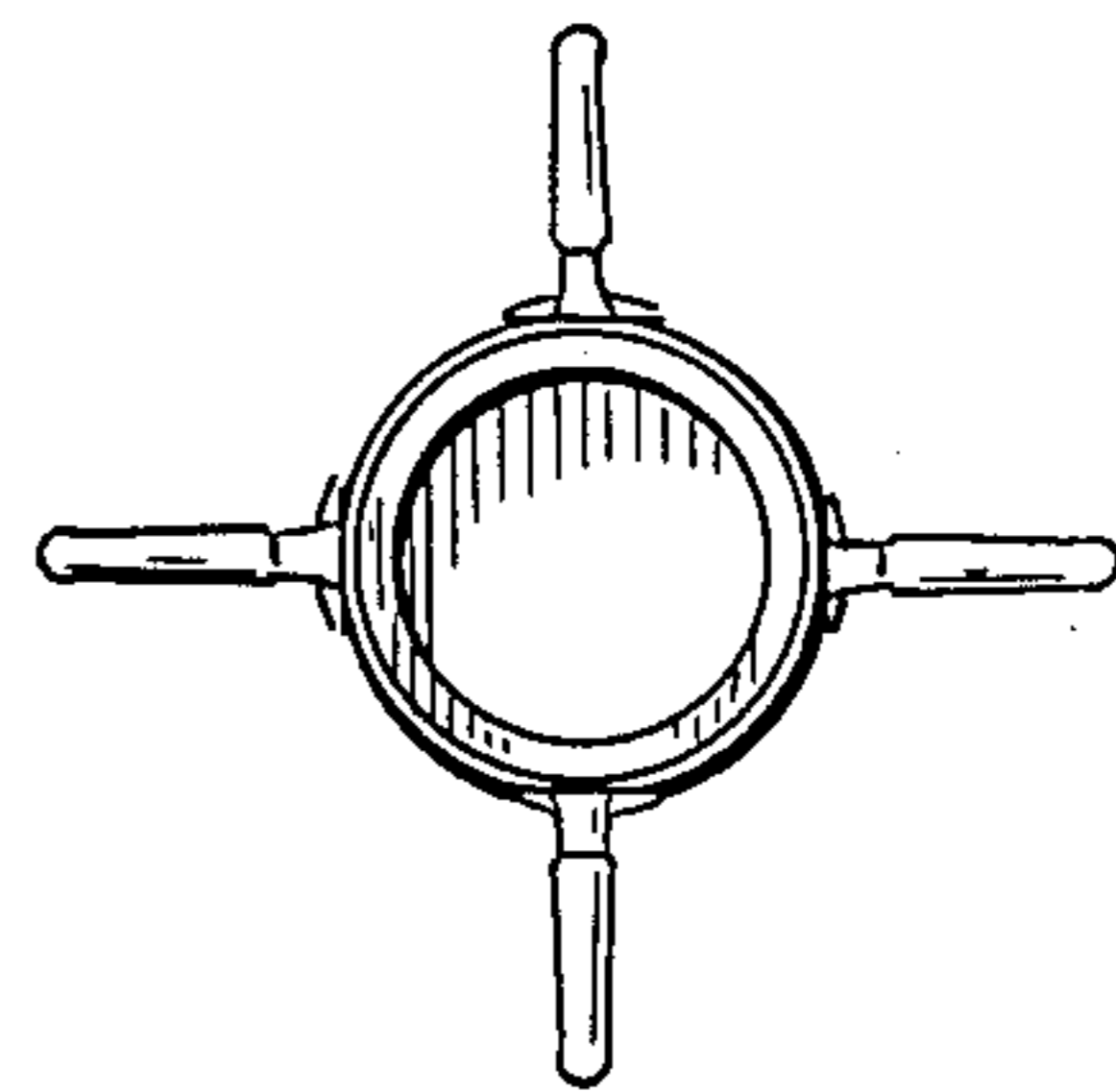


FIG. 5