

[54] **BRIEF BAG**

[75] **Inventor: Robert S. Forman, Chicago, Ill.**

[73] **Assignee: Roberts Incentives Corporation, Chicago, Ill.**

[**] **Term: 14 Years**

[21] **Appl. No.: 873,313**

[22] **Filed: Jun. 11, 1986**

[52] **U.S. Cl. D3/71**

[58] **Field of Search D3/71, 74, 76**

[56] **References Cited**

U.S. PATENT DOCUMENTS

D. 100,237	6/1936	Wege	D3/71
D. 224,609	8/1972	Weltz	D3/76
D. 231,869	6/1974	Ohyama	D3/71
D. 254,819	4/1980	Harrison	D3/71

D. 264,024	4/1982	Stark	D3/71
D. 284,136	6/1986	Katz et al.	D3/71
D. 292,745	11/1987	Allen	D3/76

Primary Examiner—Bruce W. Dunkins
Assistant Examiner—Y. Brunot
Attorney, Agent, or Firm—Lahive & Cockfield

[57] **CLAIM**

The ornamental design for a brief bag, as shown.

DESCRIPTION

FIG. 1 is a front perspective view of a brief bag showing my new design;
FIG. 2 is a front elevational view;
FIG. 3 is a rear elevational view;
FIG. 4 is a top plan view;
FIG. 5 is a bottom plan view;
FIG. 6 is an end elevational view; and
FIG. 7 is a front perspective view showing the front panel in open position.

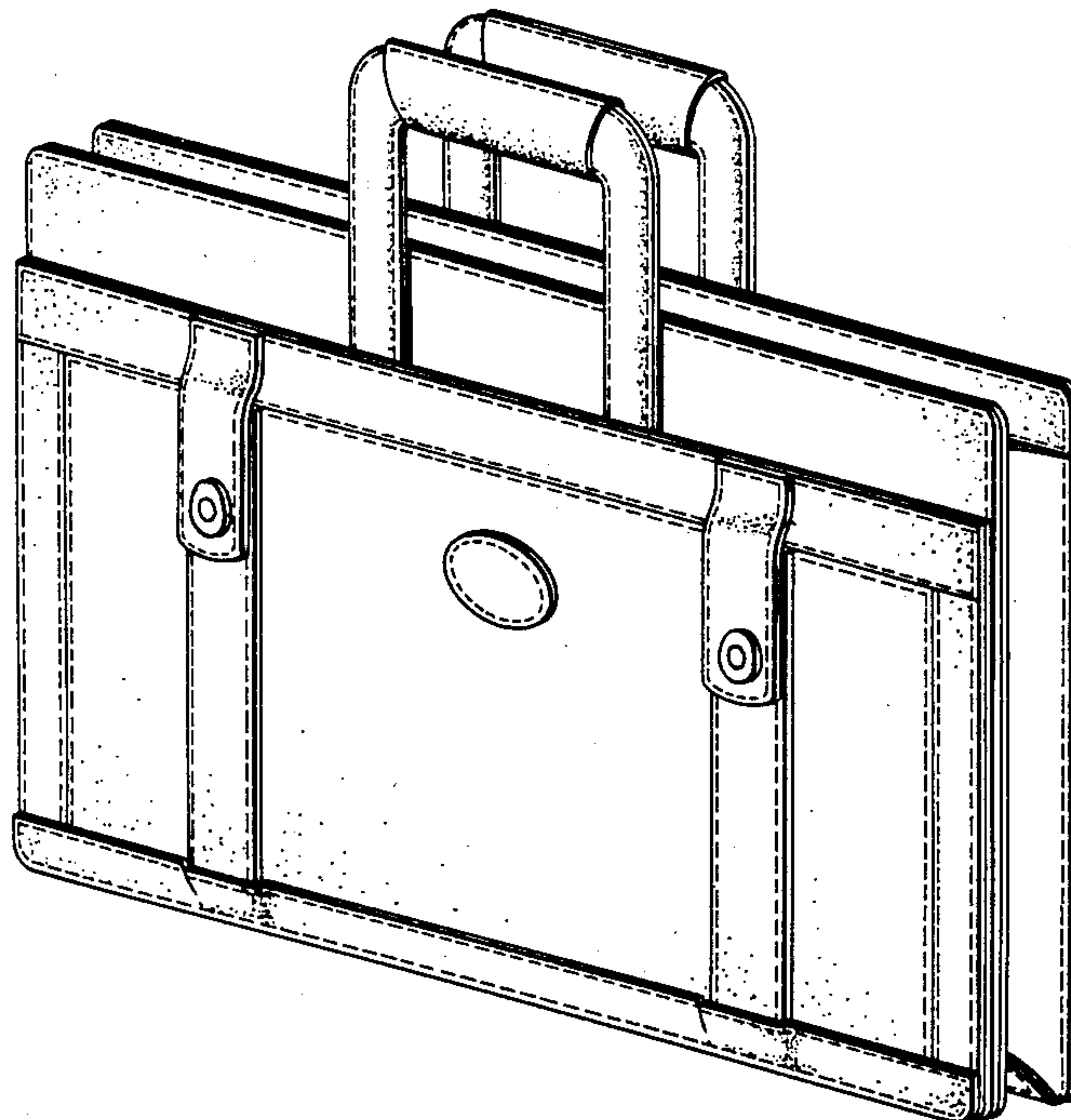


FIG. 1

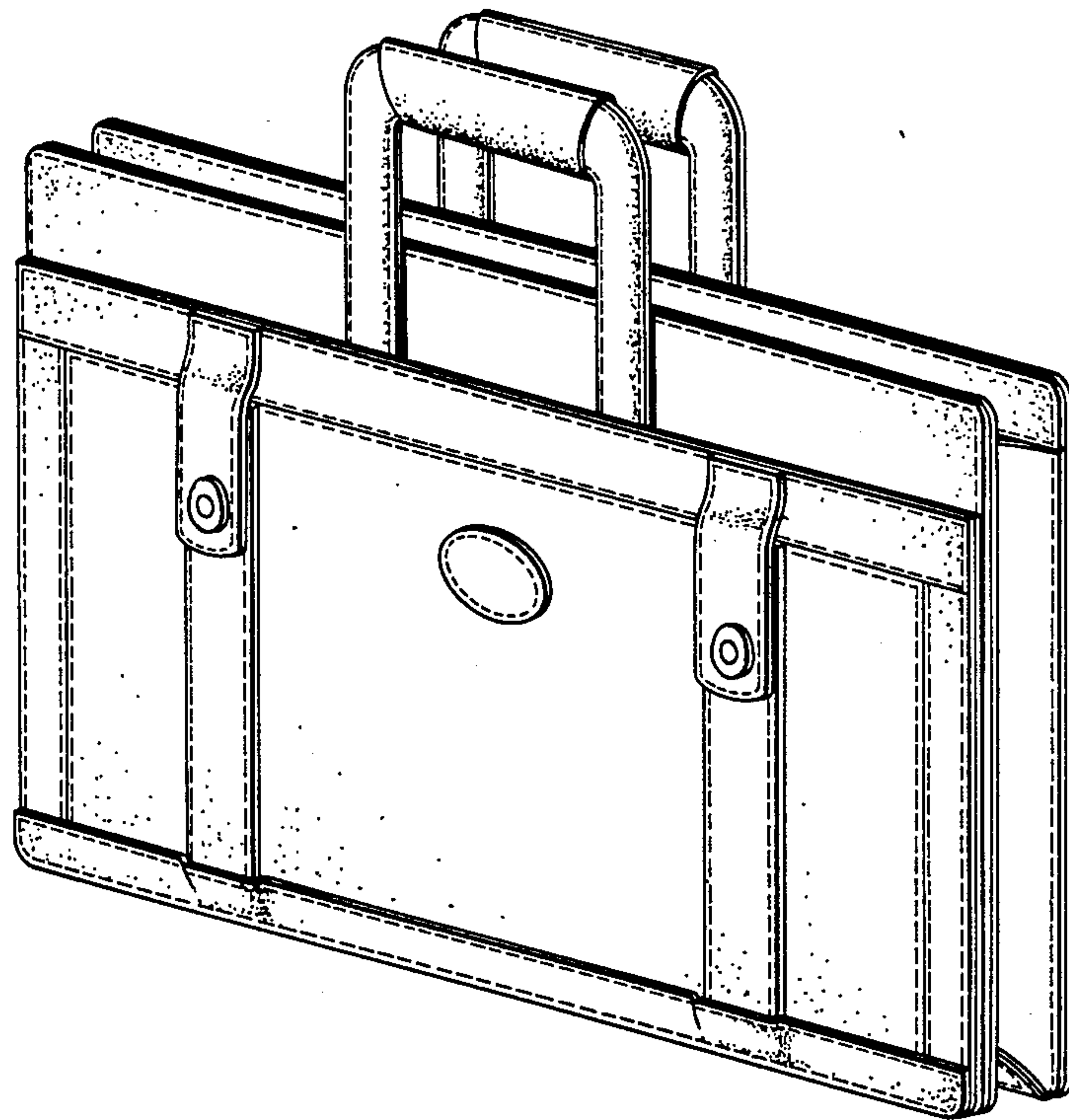
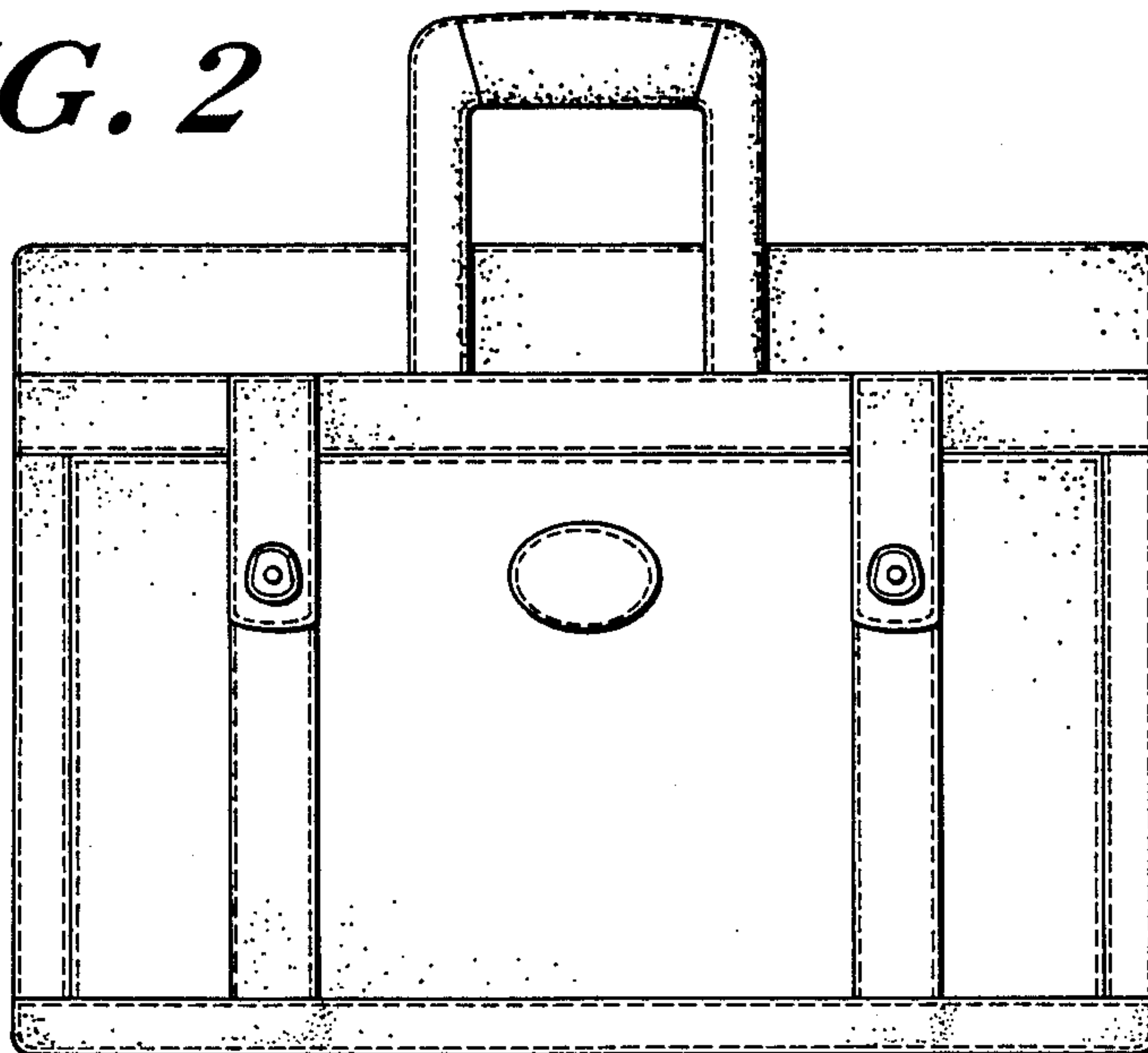


FIG. 2



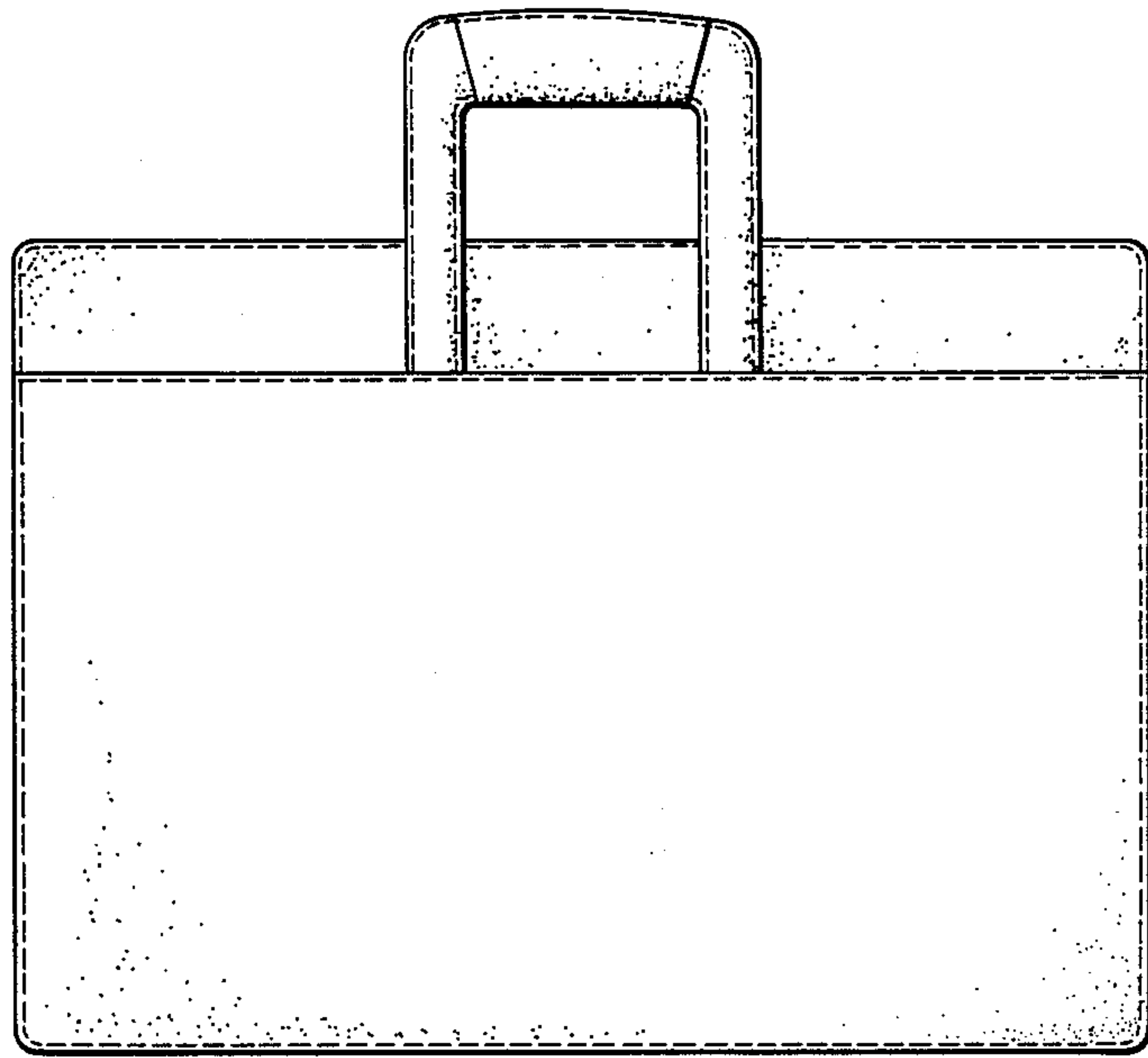


FIG. 3

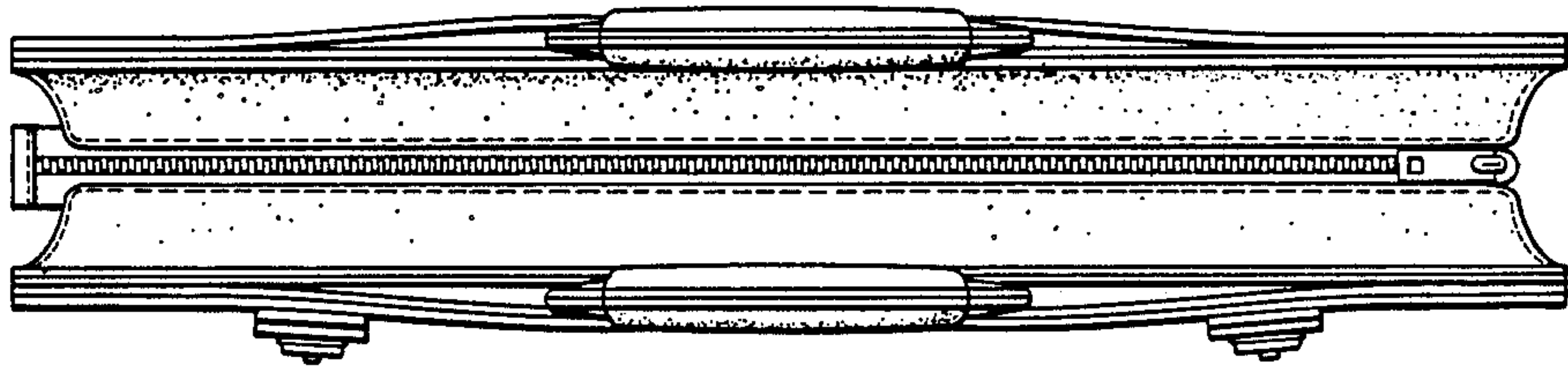


FIG. 4

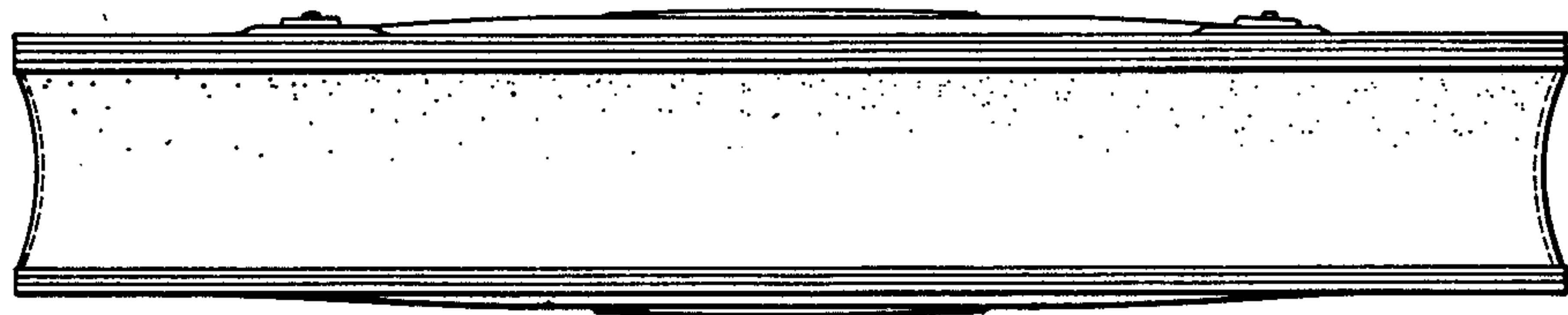


FIG. 5

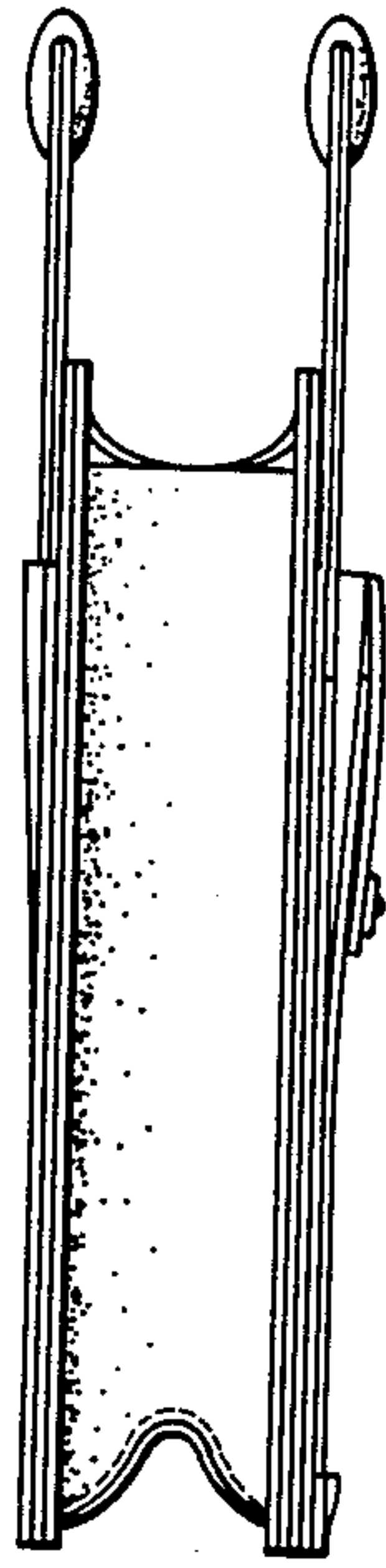


FIG. 6

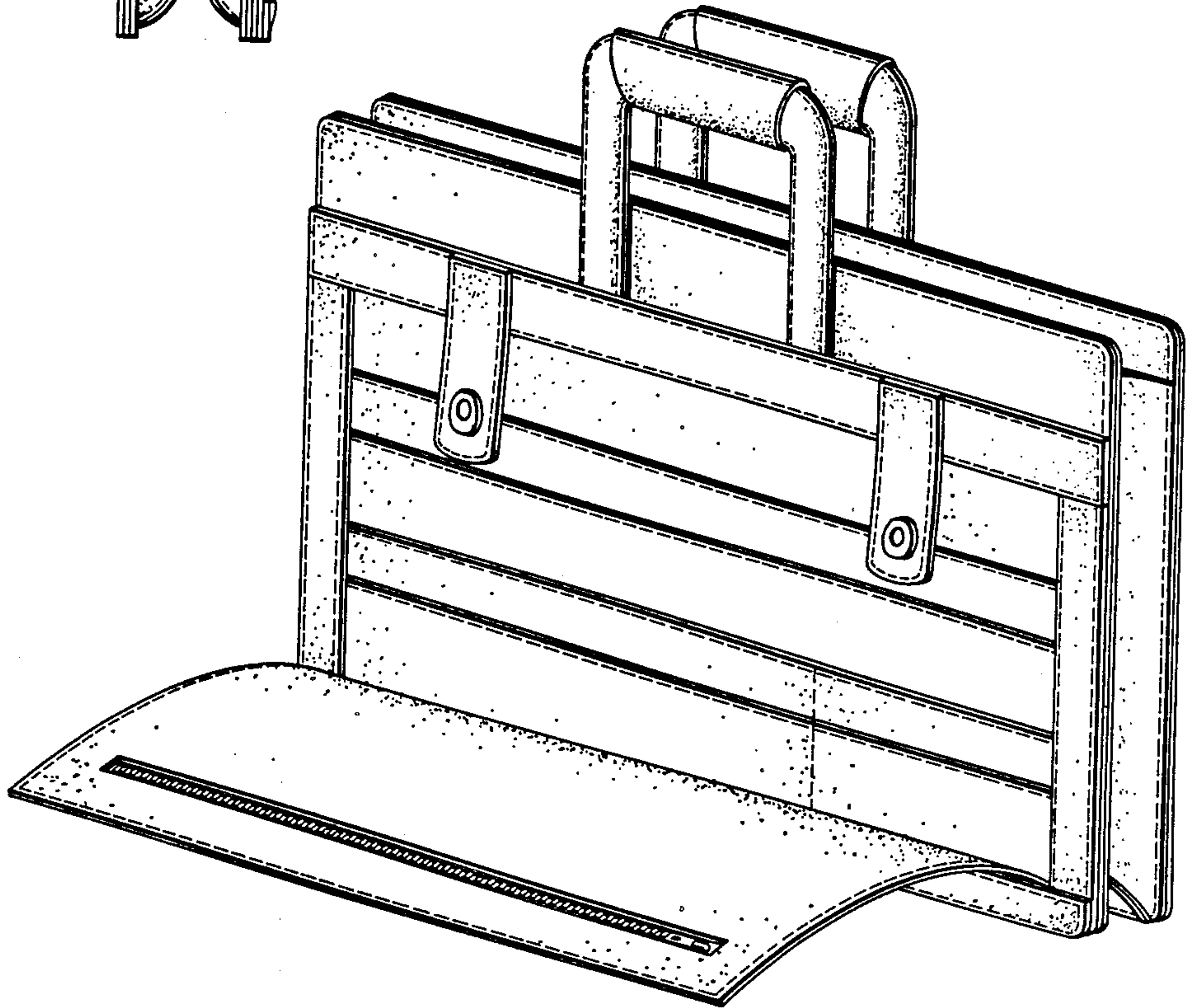


FIG. 7