

[54] **AUTO SEAT BELT BUCKLE BOOT**

[76] **Inventors: Oriel Raphael; Evelyn G. Raphael,**
both of 19601 Weeburn La., Tarzana,
Calif. 91356

[**] **Term: 14 Years**

[21] **Appl. No.: 911,822**

[22] **Filed: Sep. 26, 1986**

[52] **U.S. Cl. 2/639; 297/482**

[58] **Field of Search D11/200; 297/487, 488,**
297/486, 482, DIG. 6; 24/308-311; 2/DIG. 6,
639, 640

[56] **References Cited**

U.S. PATENT DOCUMENTS

4,120,052 10/1978 Butler 2/DIG. 6
4,611,854 9/1986 Pfeiffer 297/482
4,619,468 10/1986 Spill 297/488

Primary Examiner—Louis S. Zarfes
Assistant Examiner—R. T. Seifert
Attorney, Agent, or Firm—Roger A. Marrs

[57] **CLAIM**

The ornamental design for an auto seat belt buckle boot,
as shown and described.

DESCRIPTION

FIG. 1 is a bottom perspective view of an auto seat belt
buckle boot showing our new design;
FIG. 2 is a front elevational view;
FIG. 3 is a right side elevational view; and
FIG. 4 is a view of the boot unfolded.

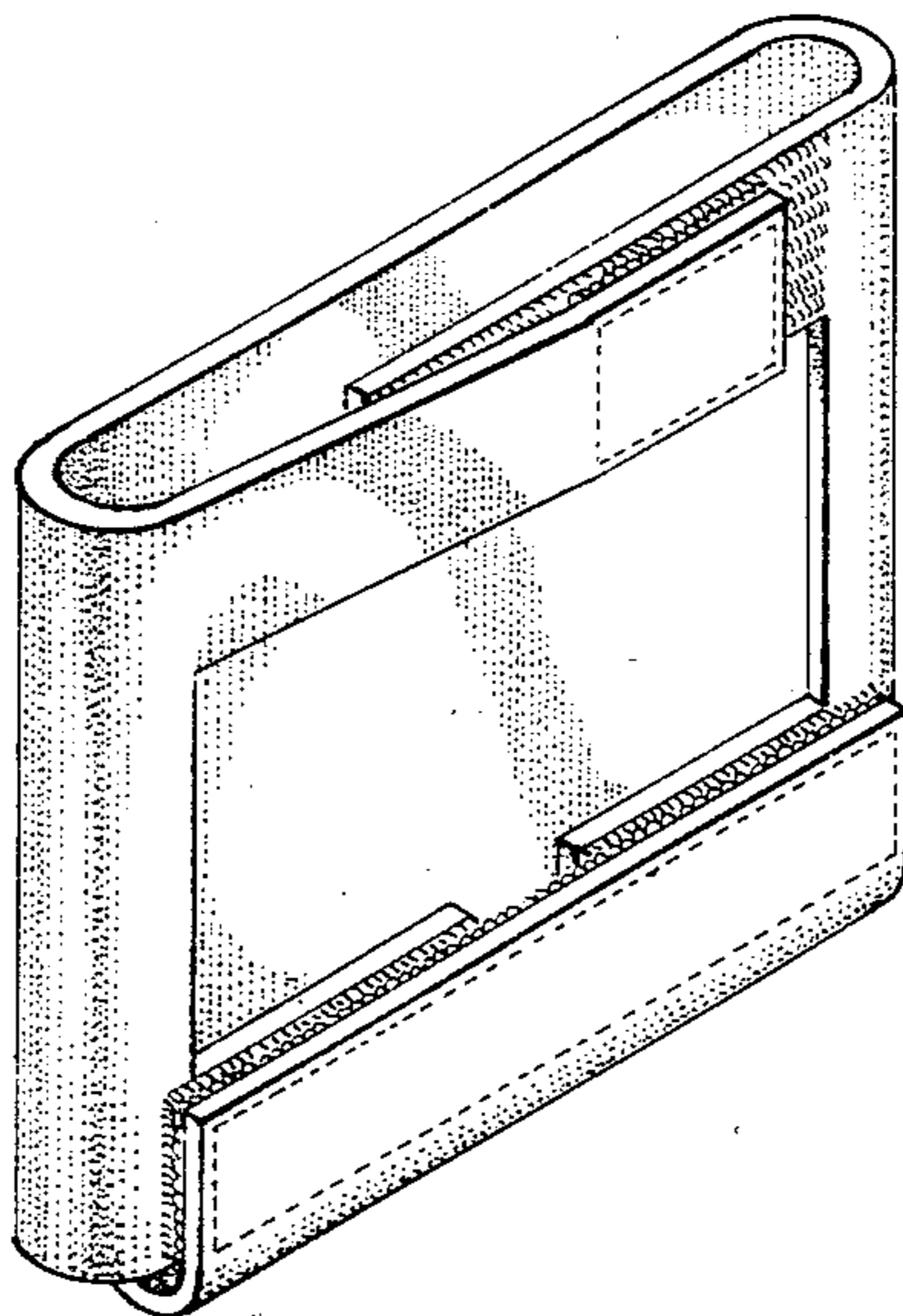


FIG. 1.

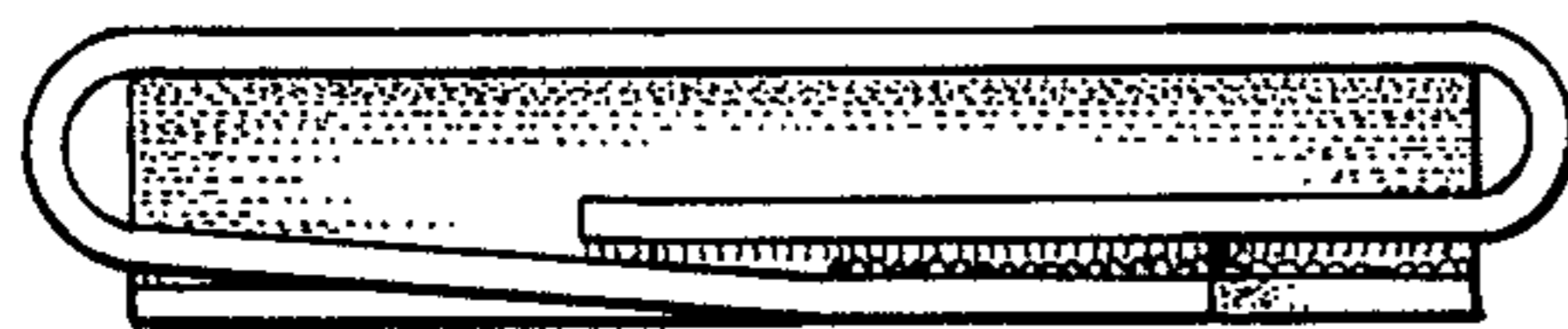
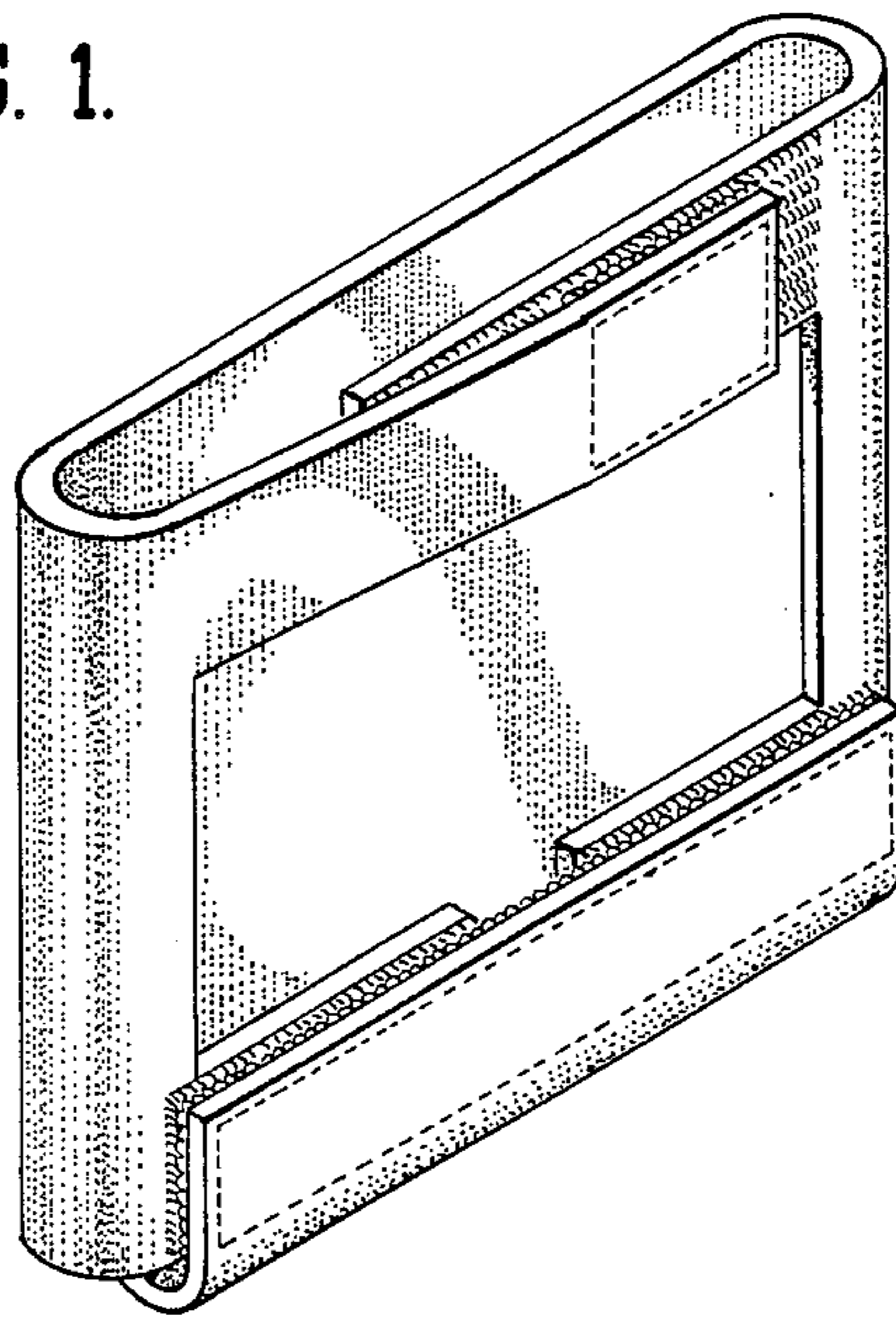


FIG. 2.

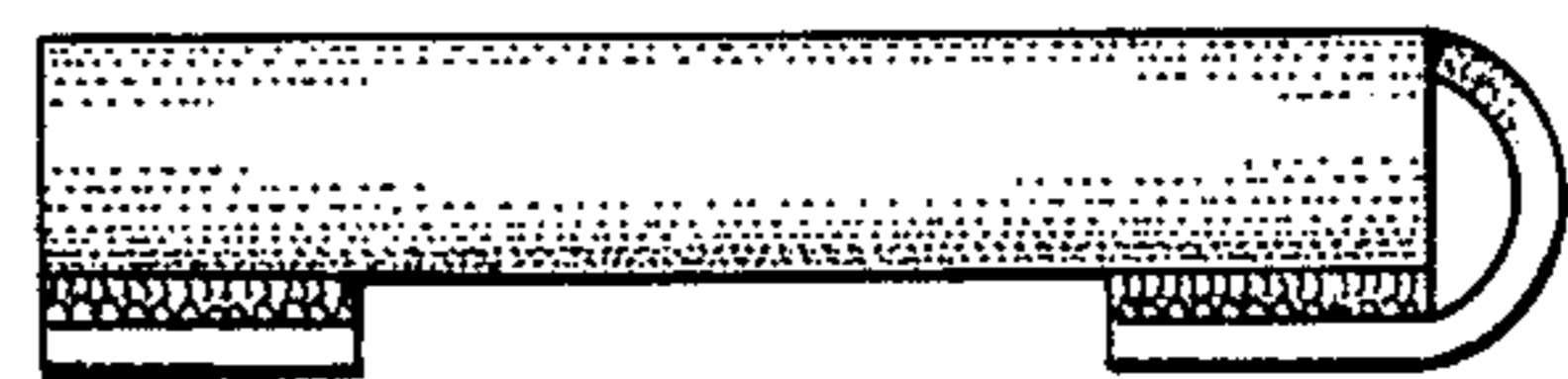


FIG. 3.

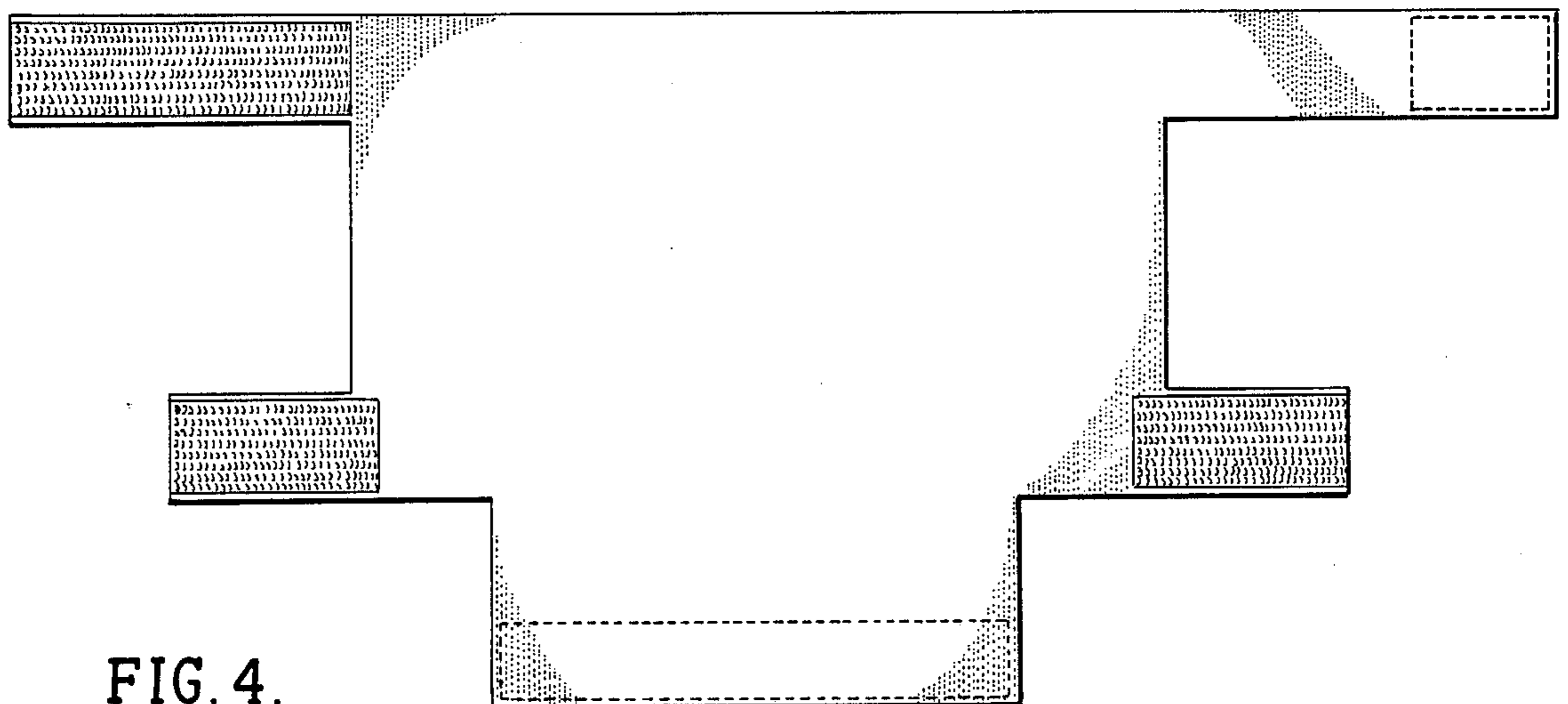


FIG. 4.