

[54] **DOUBLE OCCUPANT WHIRLPOOL LOUNGER FOR USE IN SWIMMING POOLS**

[76] Inventor: E. Eugene Middleton, Rte. 4, Box 1420, Haleyville, Ala. 35505

[**] Term: 14 Years

[21] Appl. No.: 97,073

[22] Filed: Sep. 14, 1987

[52] U.S. Cl. D24/38

[58] Field of Search D24/38; 4/506, 513, 4/541, 542, 590, 592, 580-583; D23/277, 280

[56] **References Cited**

U.S. PATENT DOCUMENTS

D. 285,600 9/1986 Steinhardt D24/38
3,693,194 9/1972 Schindler et al. 4/513 X
4,233,694 11/1980 Janosko et al. 4/542

Primary Examiner—Wallace R. Burke

Assistant Examiner—Stella M. Reid

Attorney, Agent, or Firm—Jennings, Carter, Thompson & Veal

[57] **CLAIM**

The ornamental design for a double occupant whirlpool lounger for use in swimming pools, as shown and described.

DESCRIPTION

FIG. 1 is a perspective view of a double occupant whirlpool lounger for use in swimming pools showing my new design;

FIG. 2 is a top plan view thereof;

FIG. 3 is a side elevational view thereof;

FIG. 4 is a bottom plan view thereof;

FIG. 5 is a side elevational view of the side opposite that shown in FIG. 3;

FIG. 6 is a side elevational view as seen from the left side of FIG. 2;

FIG. 7 is a side elevational view as seen from the right side of FIG. 2;

FIG. 8 is a cross-sectional view taken along line 8—8 of FIG. 2; and

FIG. 9 is a cross-sectional view taken along line 9—9 of FIG. 2.

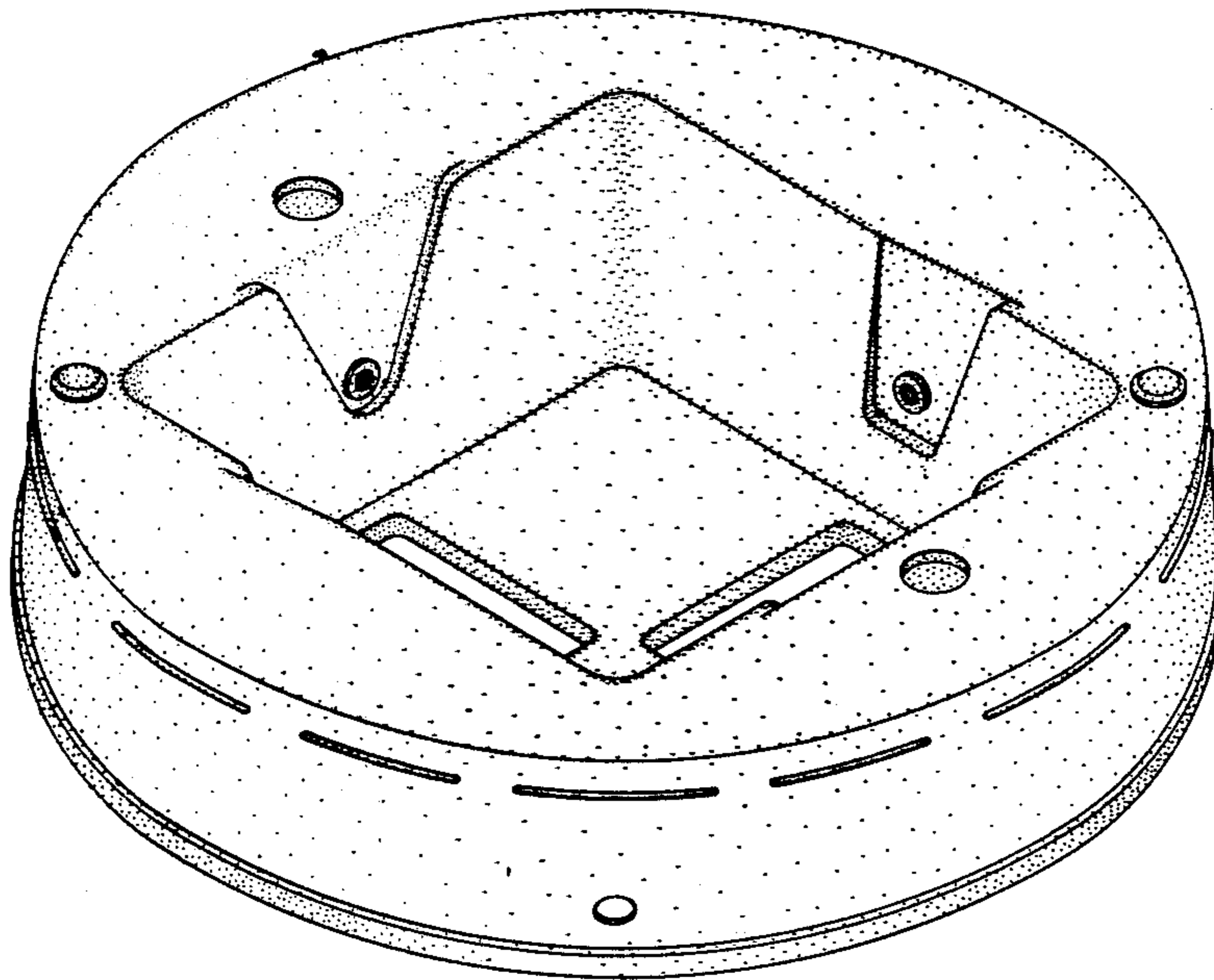
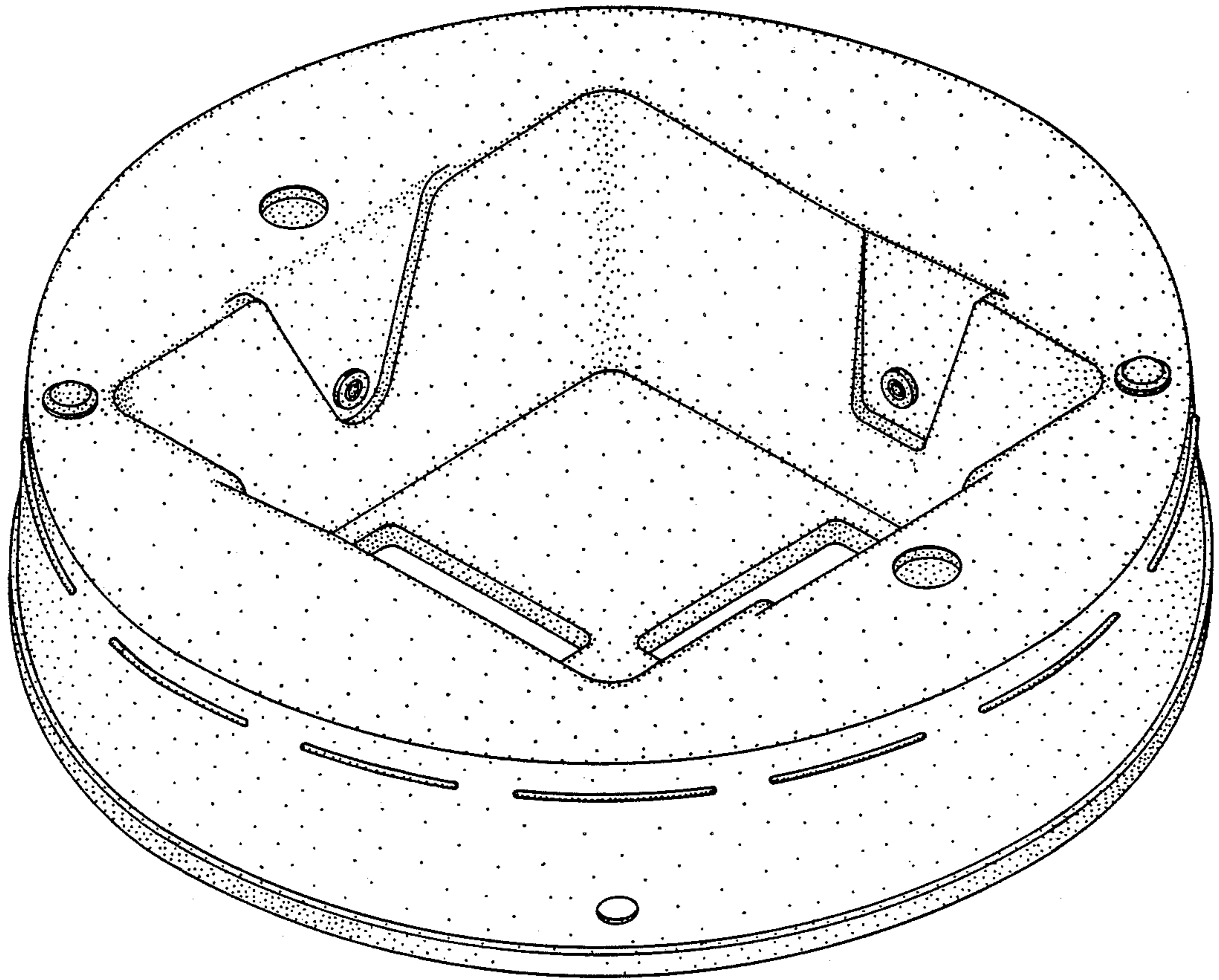


Fig. 1



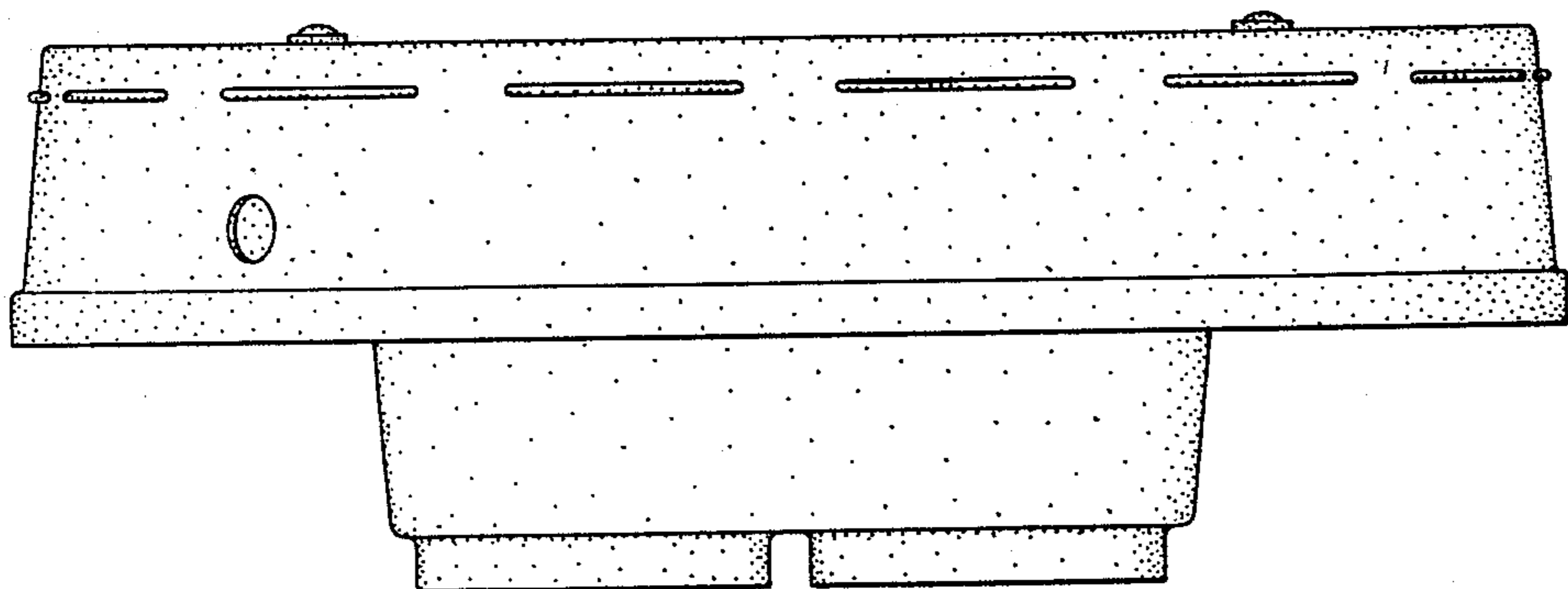
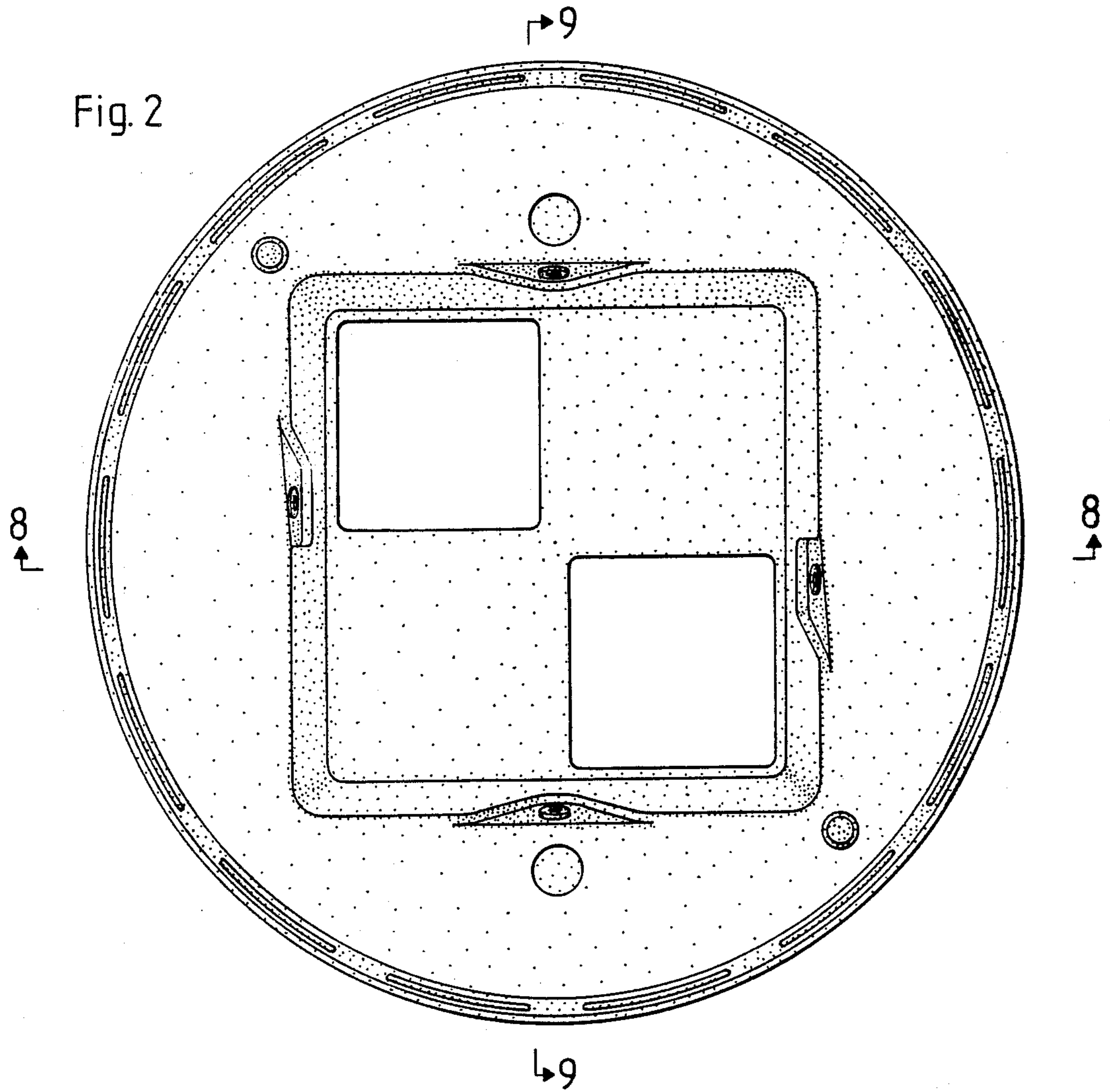


Fig. 3

Fig. 4

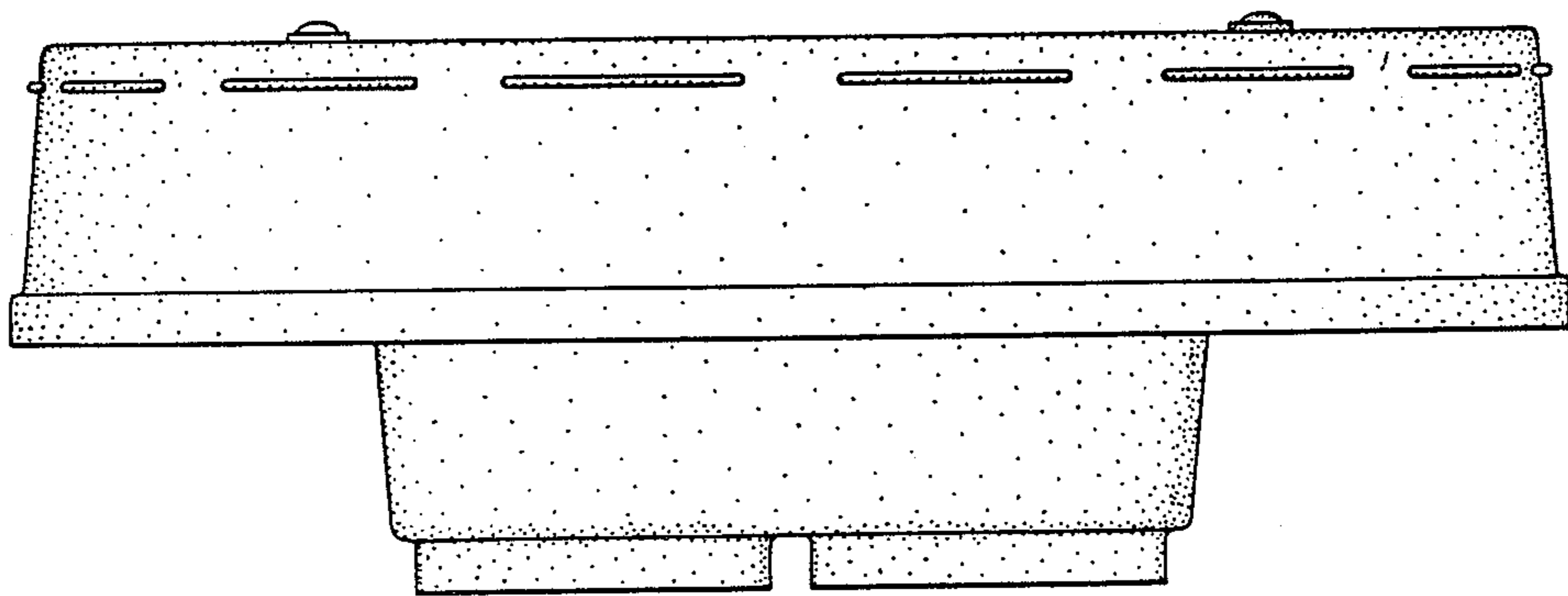
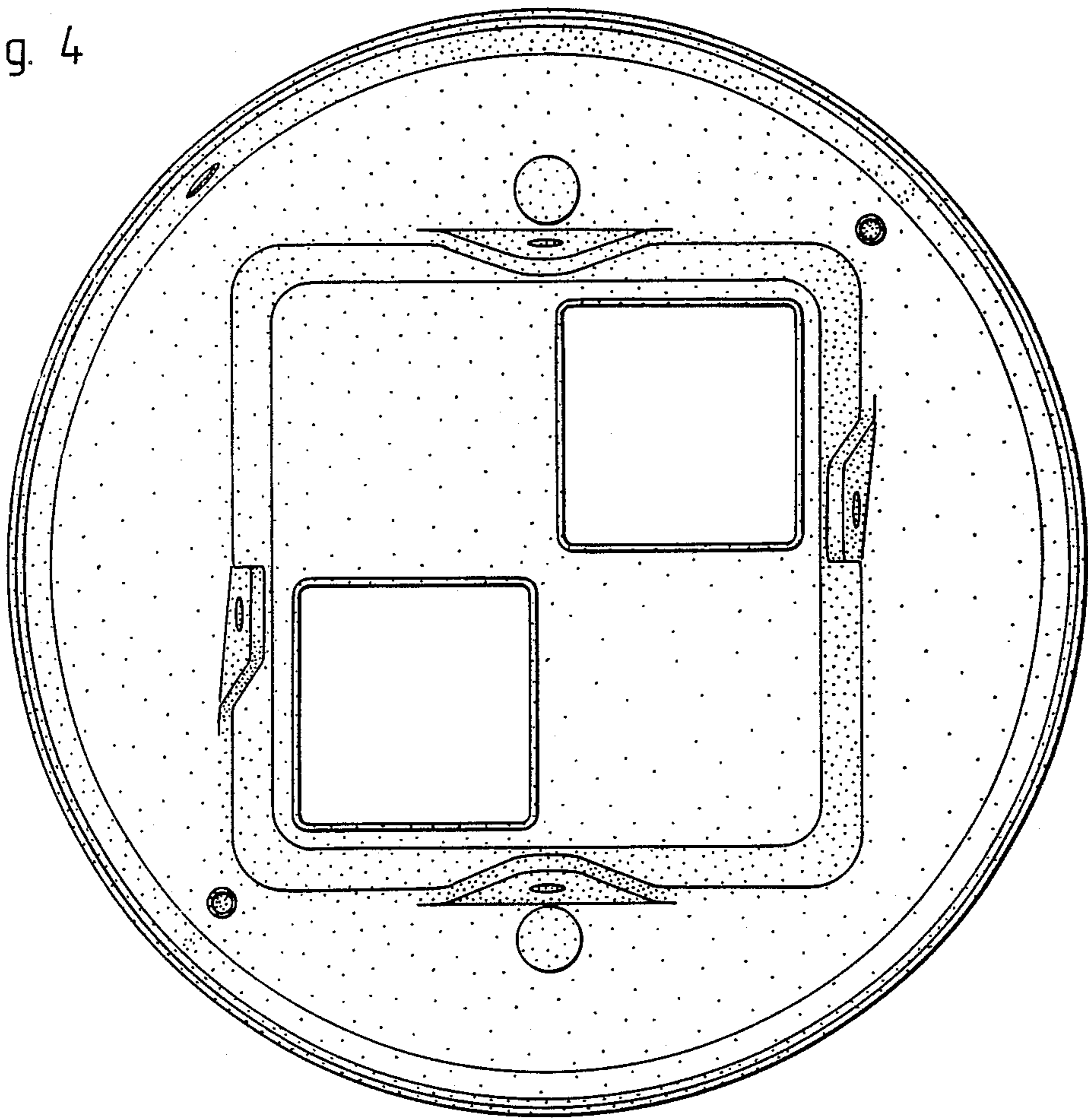


Fig. 5

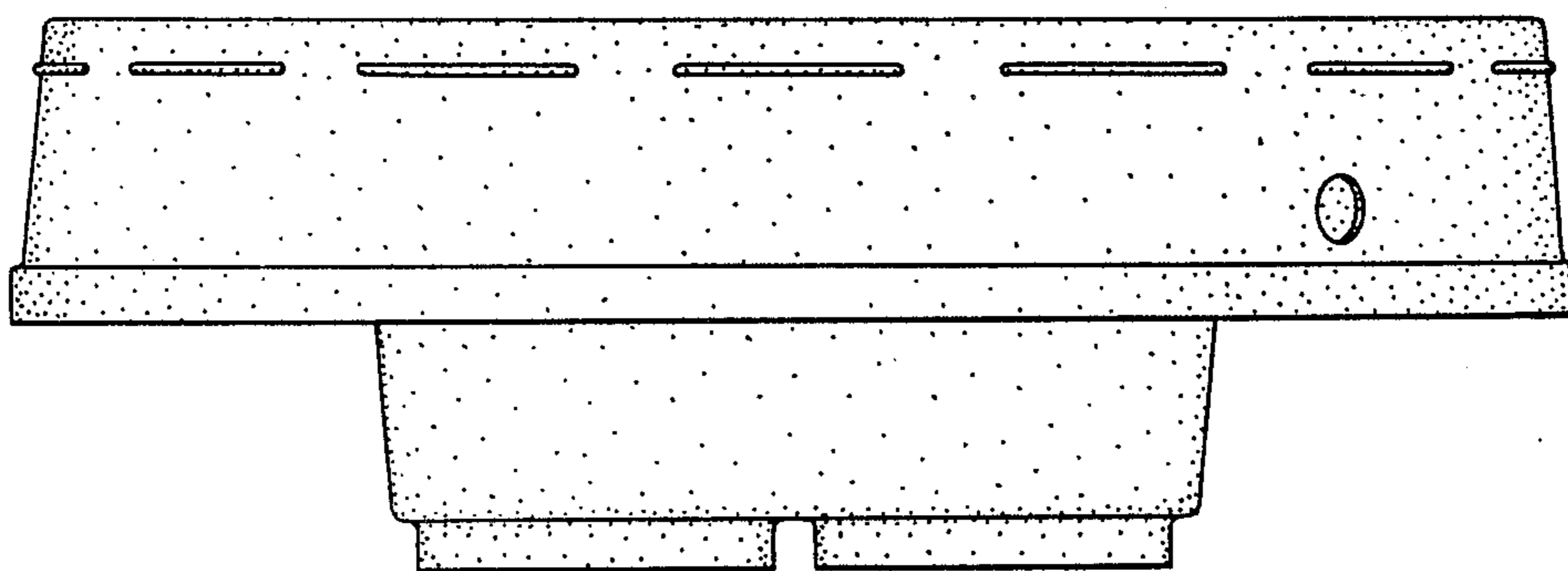


Fig. 6

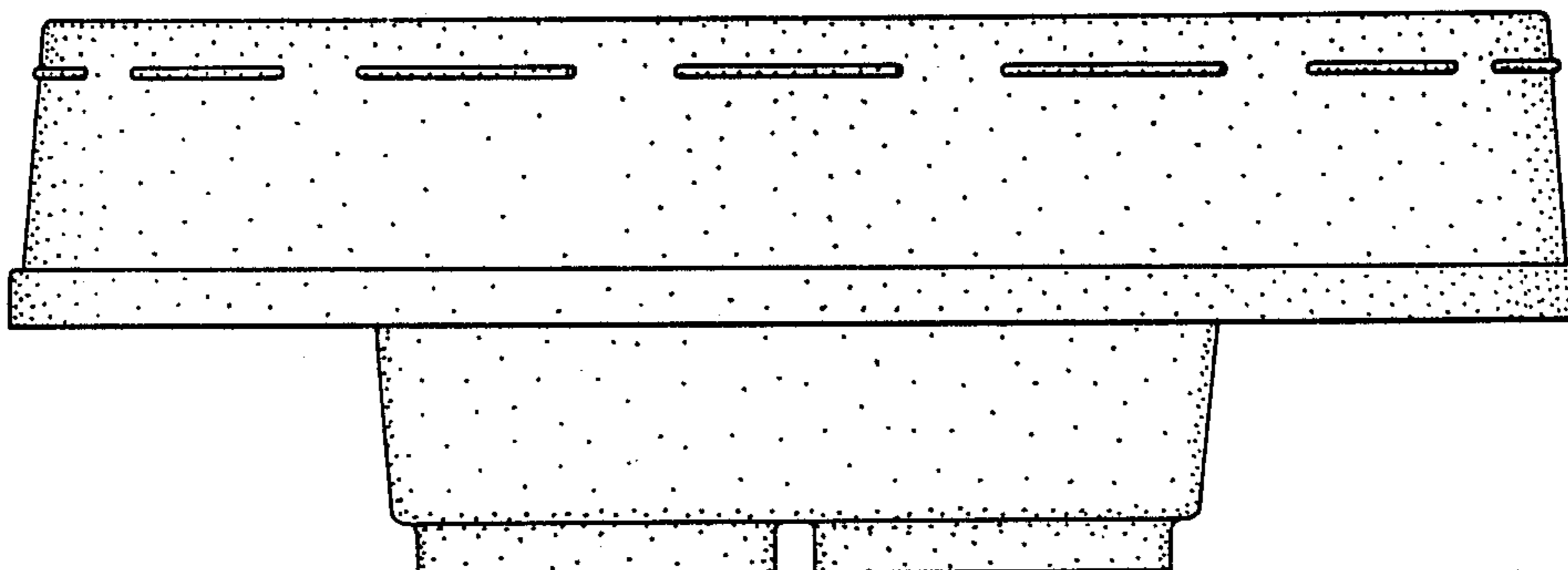


Fig. 7

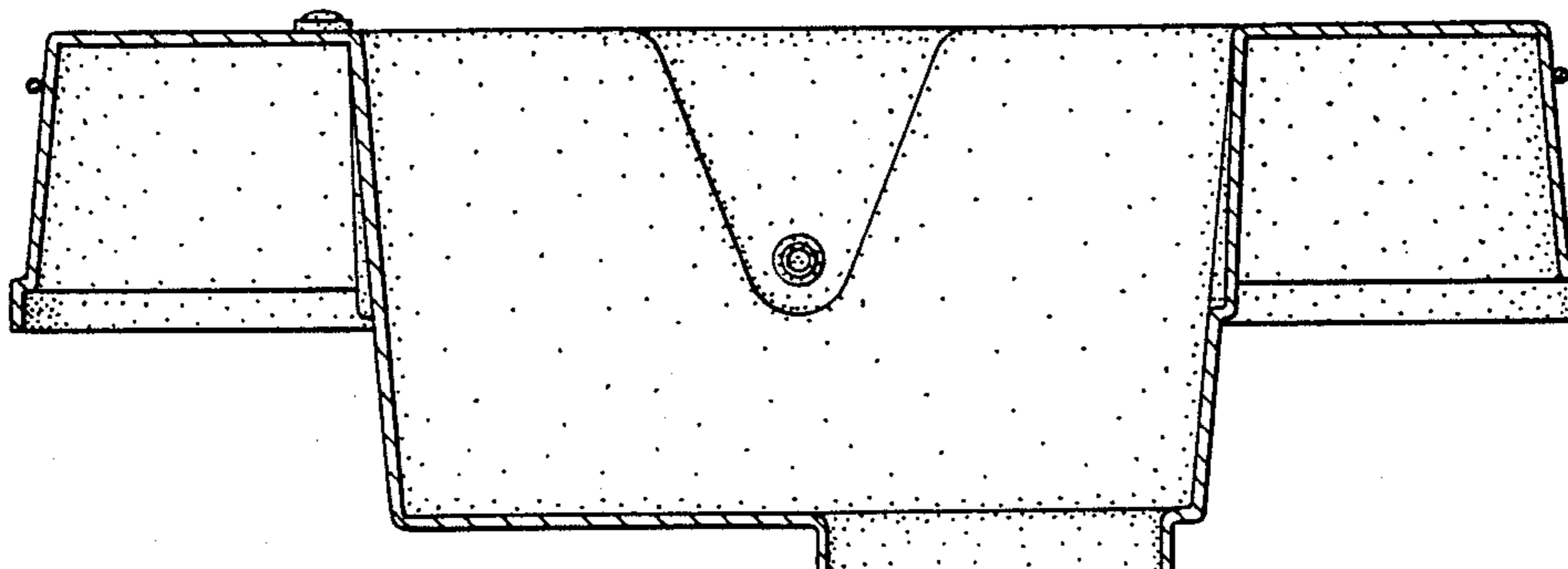


Fig. 8

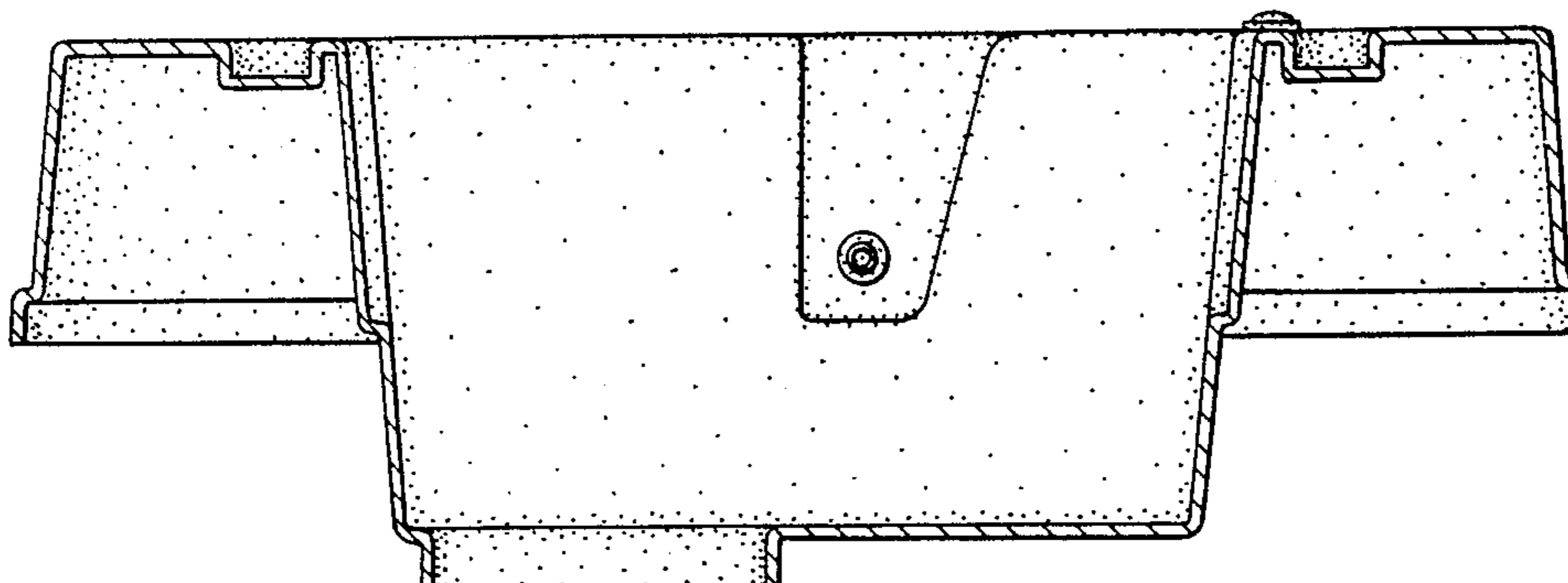


Fig. 9