

[54] **SINGLE OCCUPANT WHIRLPOOL
LOUNGER FOR USE IN SWIMMING POOLS**

[76] **Inventor: E. Eugene Middleton, Rte 4, Box
1420, Haleyville, Ala. 35505**

[**] **Term: 14 Years**

[21] **Appl. No.: 97,071**

[22] **Filed: Sep. 14, 1987**

[52] **U.S. Cl. D24/38**

[58] **Field of Search D24/38; 4/506, 513,
4/541, 542, 590, 592, 580-583; D23/277, 280**

[56] **References Cited**

U.S. PATENT DOCUMENTS

D. 237,709 11/1975 Jacuzzi et al. D24/38
D. 254,870 4/1980 Ogden D24/38

Primary Examiner—Wallace R. Burke
Assistant Examiner—Stella M. Reid

Attorney, Agent, or Firm—Jennings, Carter, Thompson
& Veal

[57] **CLAIM**

The ornamental design for a single occupant whirlpool
lounger for use in swimming pools, as shown and de-
scribed.

DESCRIPTION

FIG. 1 is a perspective view of a single occupant whirl-
pool lounger for use in swimming pools showing my
new design;

FIG. 2 is a side elevational view, the side not shown
being a mirror image of the side shown;

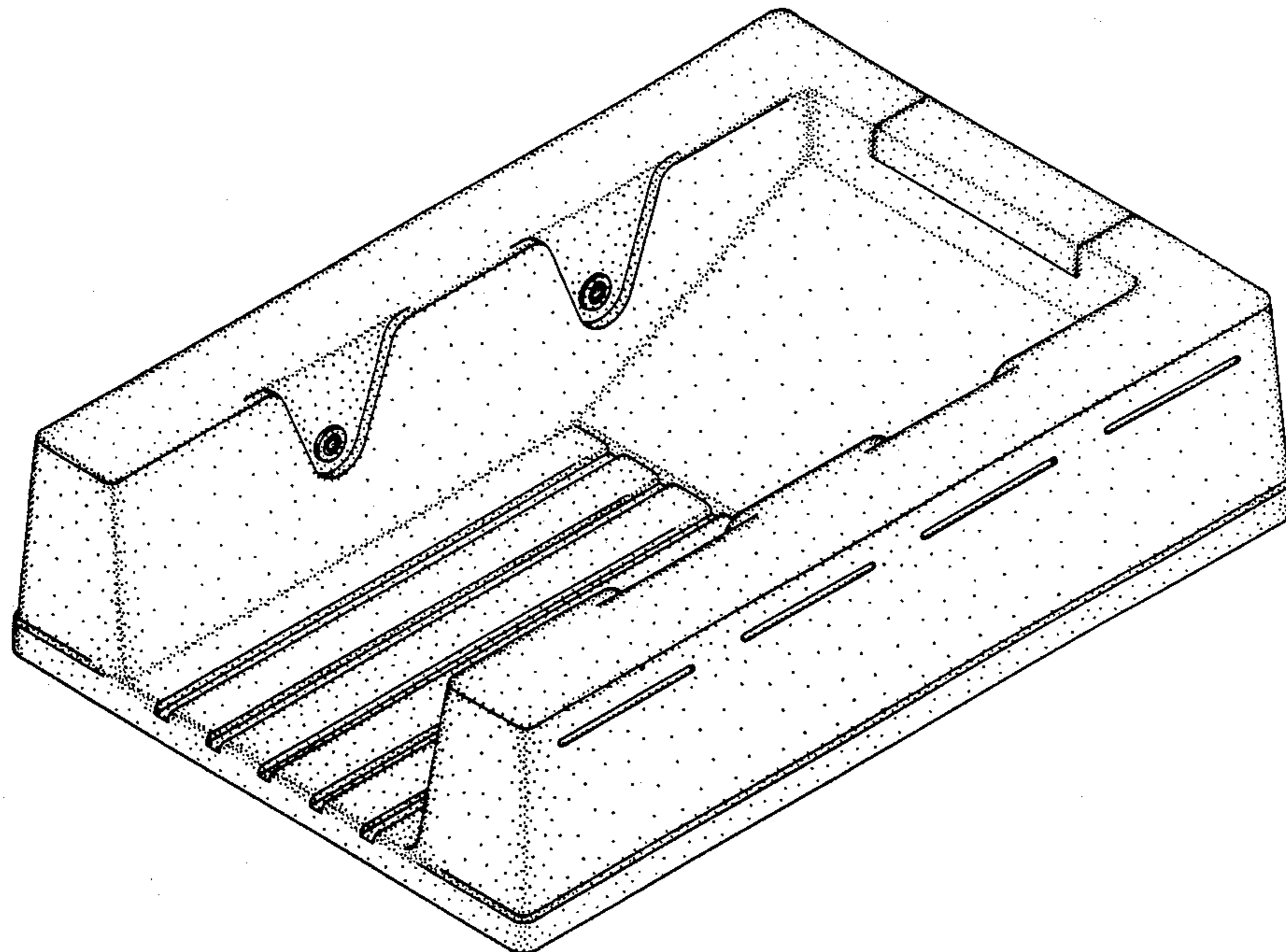
FIG. 3 is a top plan view thereof;

FIG. 4 is a bottom plan view thereof;

FIG. 5 is an end elevational view thereof;

FIG. 6 is an end elevational view of the end opposite
that shown in FIG. 5; and

FIG. 7 is a cross-sectional view taken along line 7—7 of
FIG. 3.



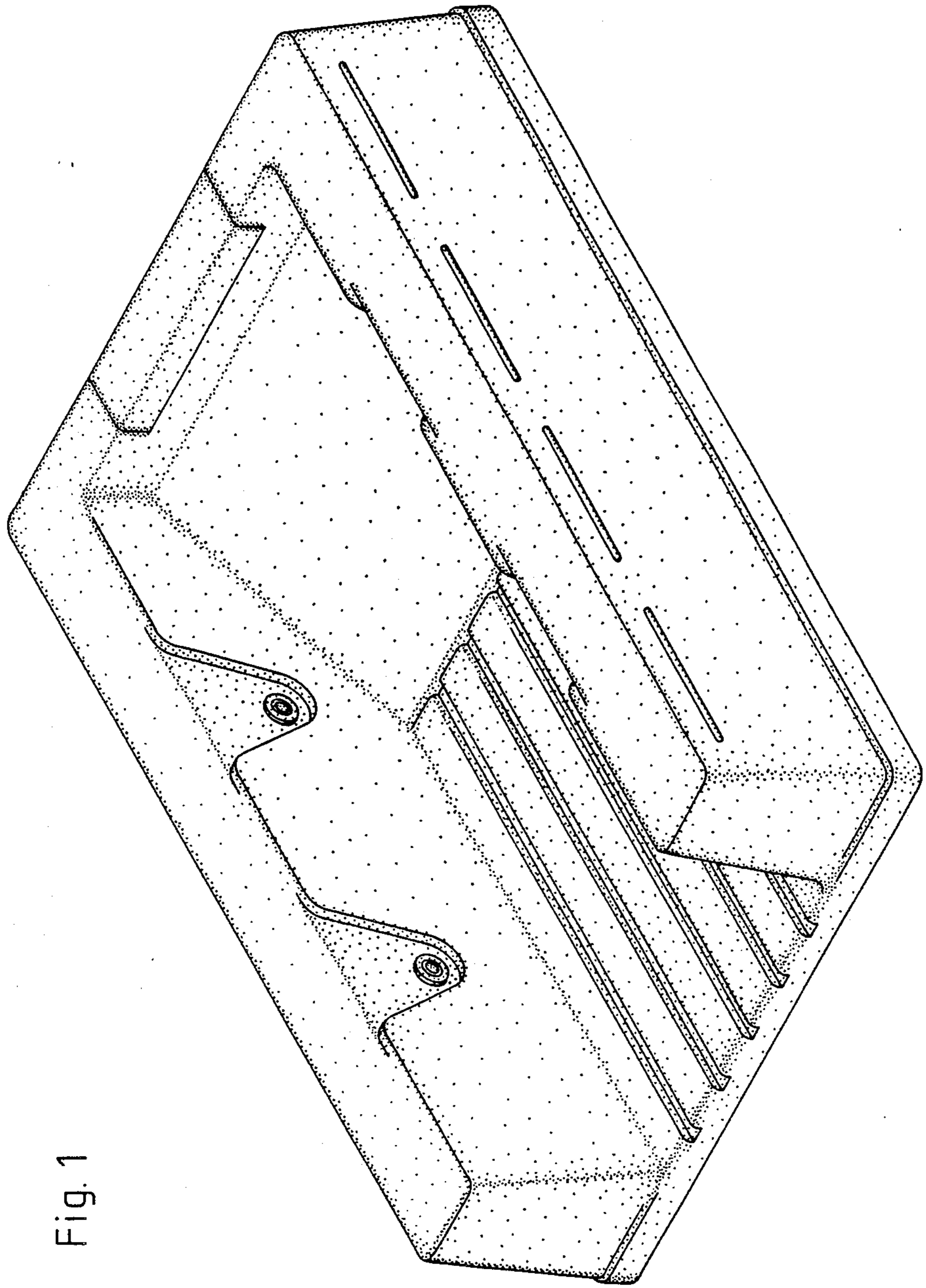


Fig. 1

Fig. 2

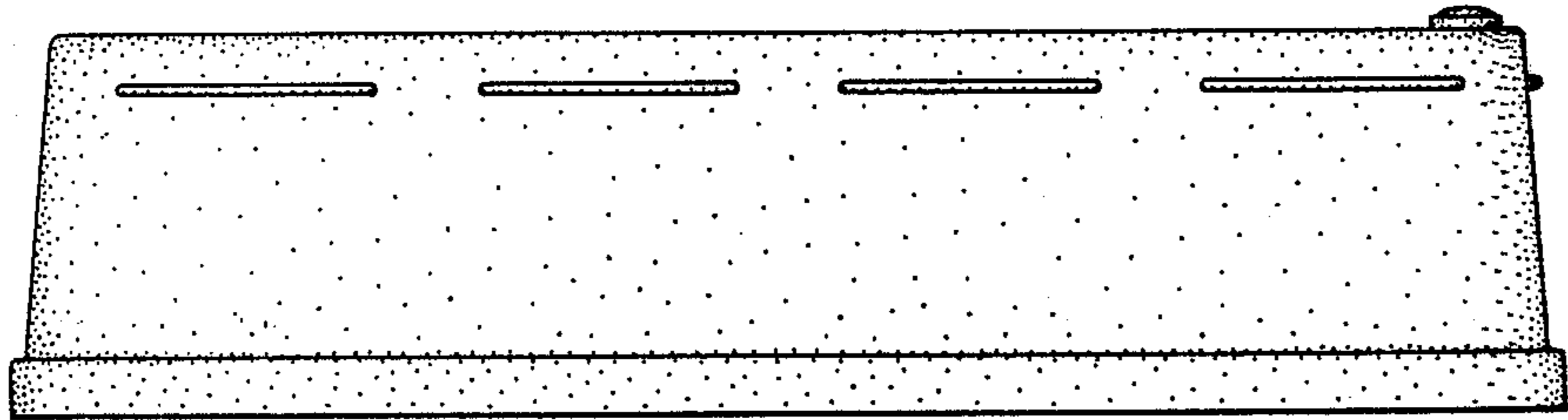


Fig. 3

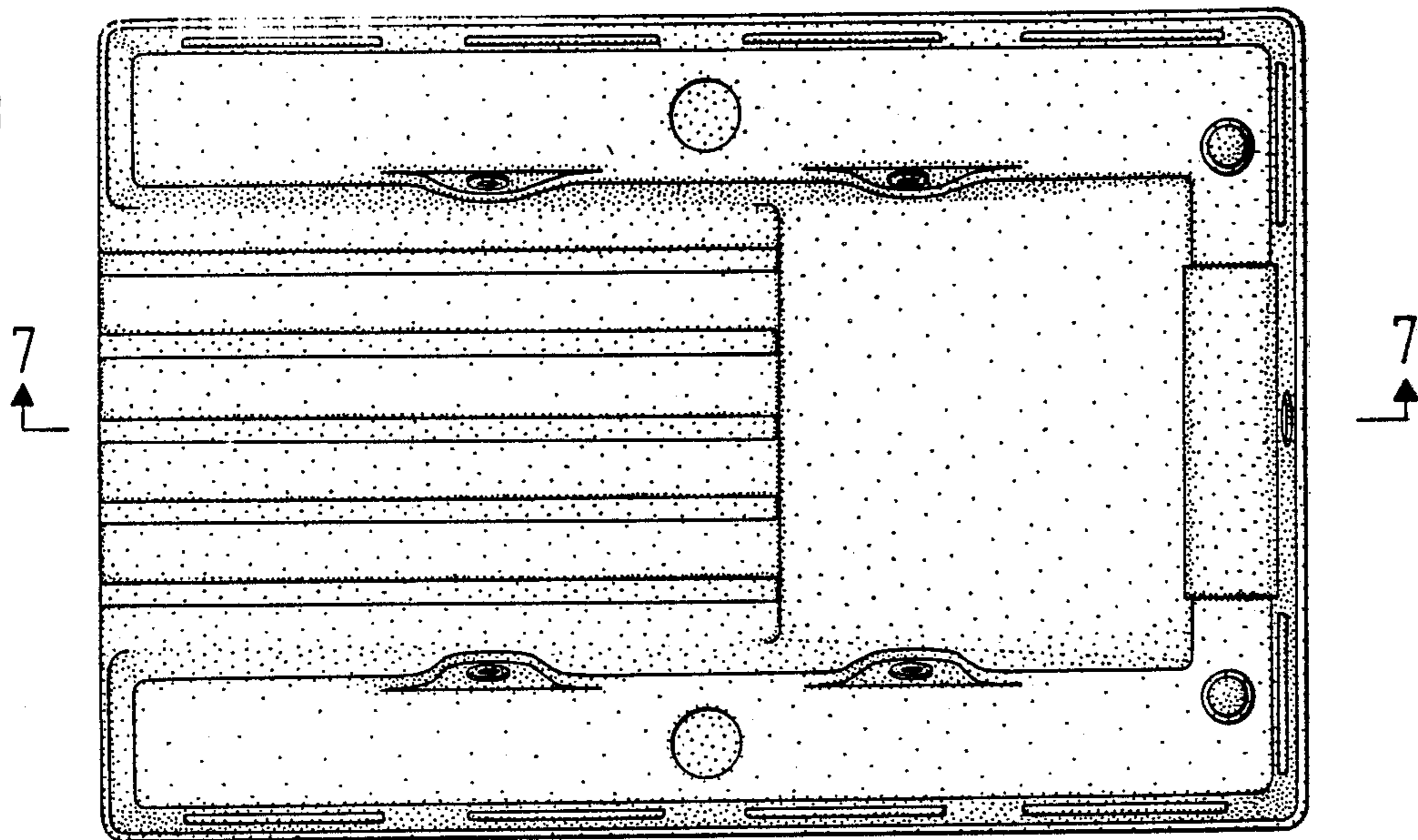


Fig. 4

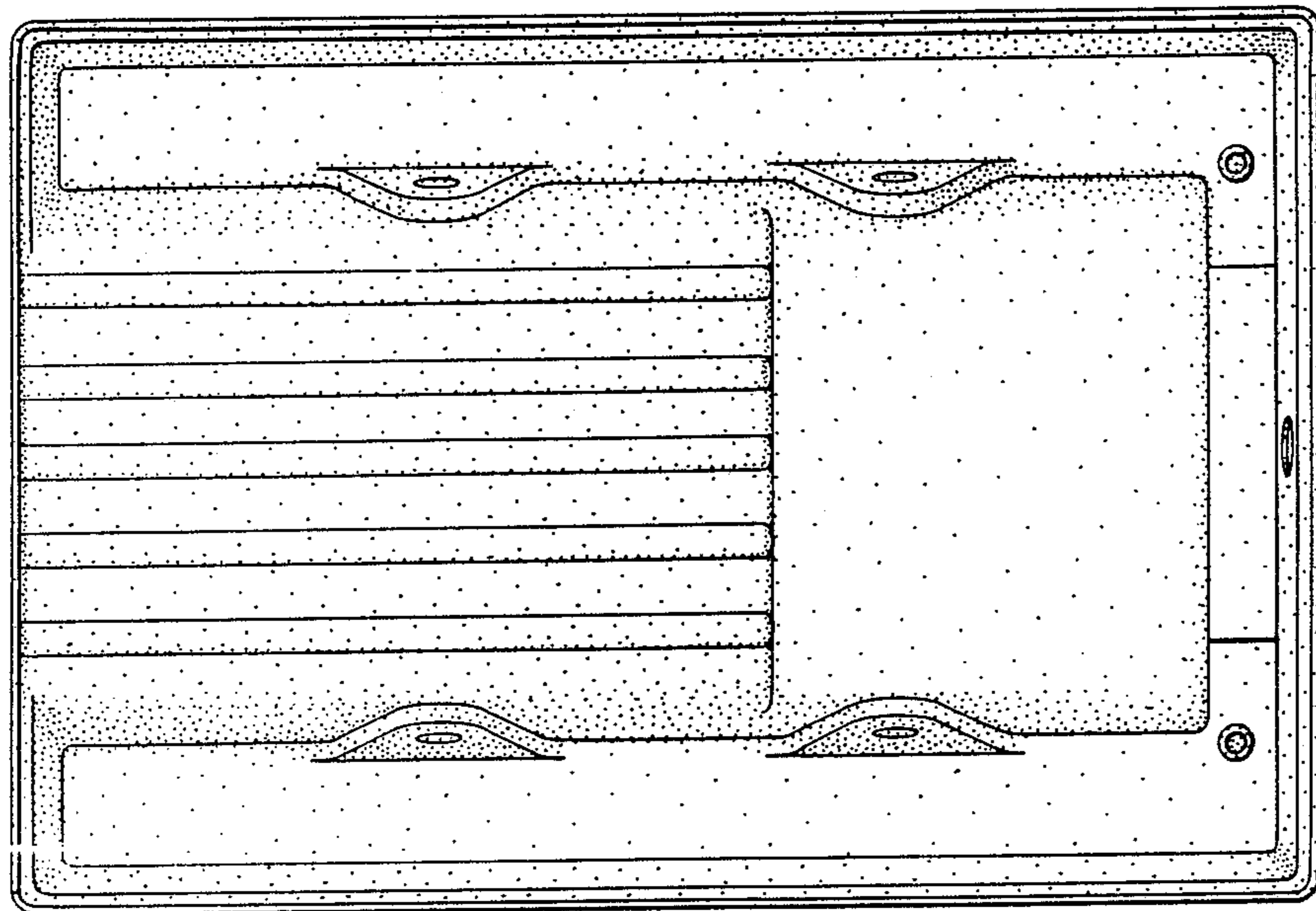


Fig. 5

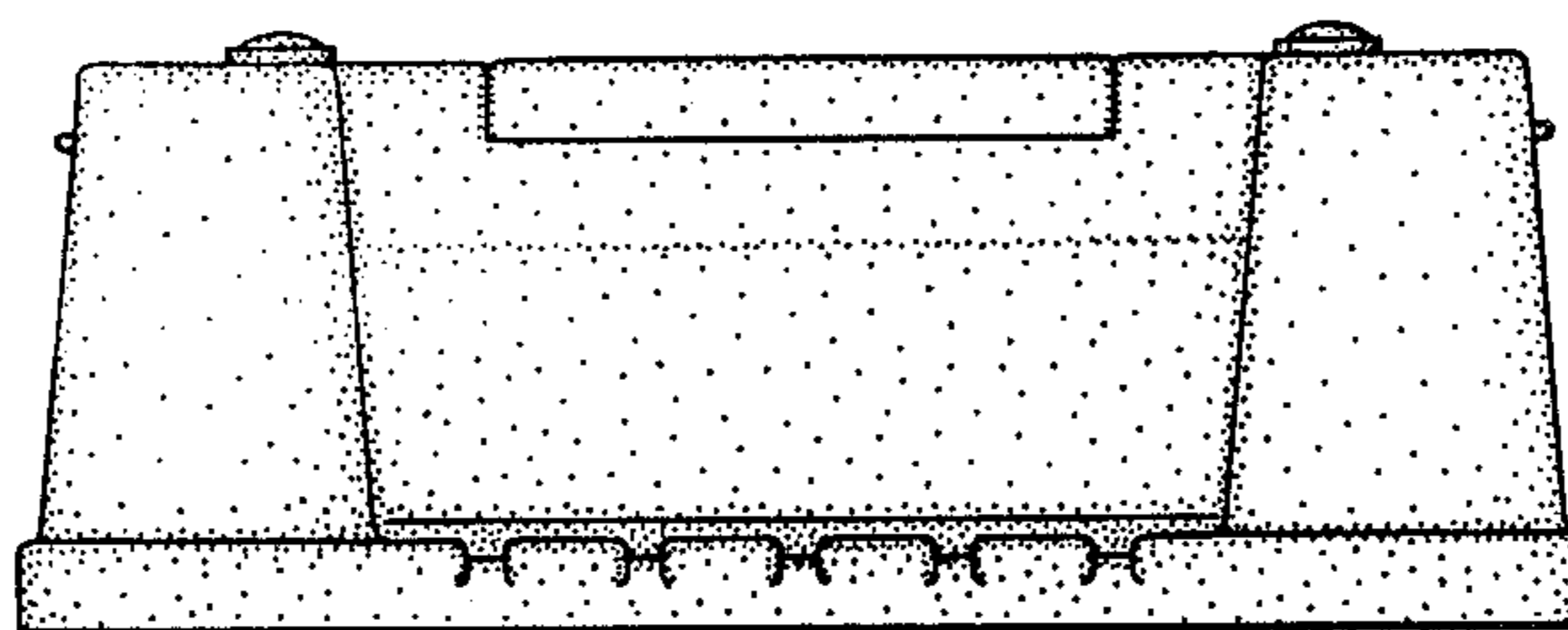


Fig. 6

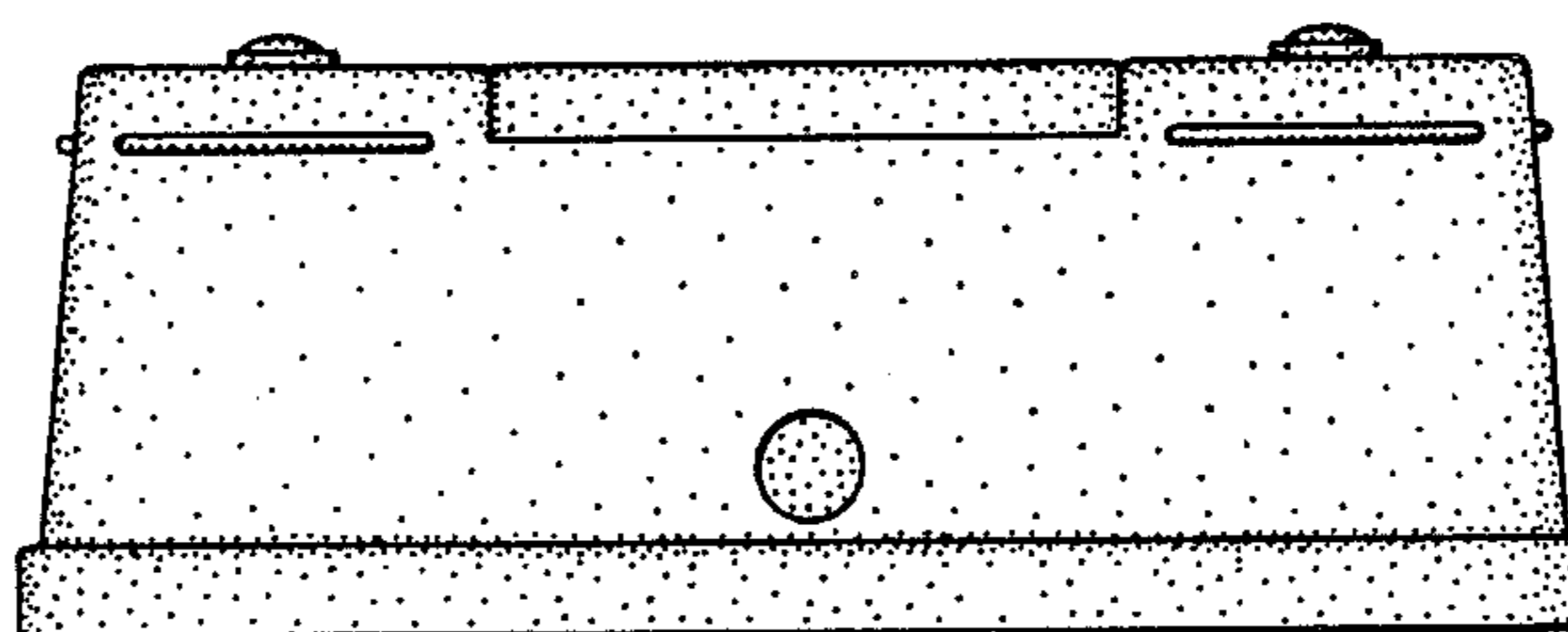


Fig. 7

