

[54] **GURNEY AUXILIARY EQUIPMENT TRAY**

[76] **Inventor: Glenn McCloskey, 905 Brookwood Pl., Oceanside, Calif. 92056**

[**] **Term: 14 Years**

[21] **Appl. No.: 2,462**

[22] **Filed: Jan. 12, 1987**

[52] **U.S. Cl. D24/7**

[58] **Field of Search D24/31, 3, 7, 8; 248/287, 283, 282, 278, 291, 296, 230, 447.2, 345.1, 499**

[56] **References Cited**

U.S. PATENT DOCUMENTS

937,480 10/1909 Smith et al. 248/287 X
2,747,322 5/1956 Egghen 248/454
4,557,453 12/1985 McCloskey 248/287

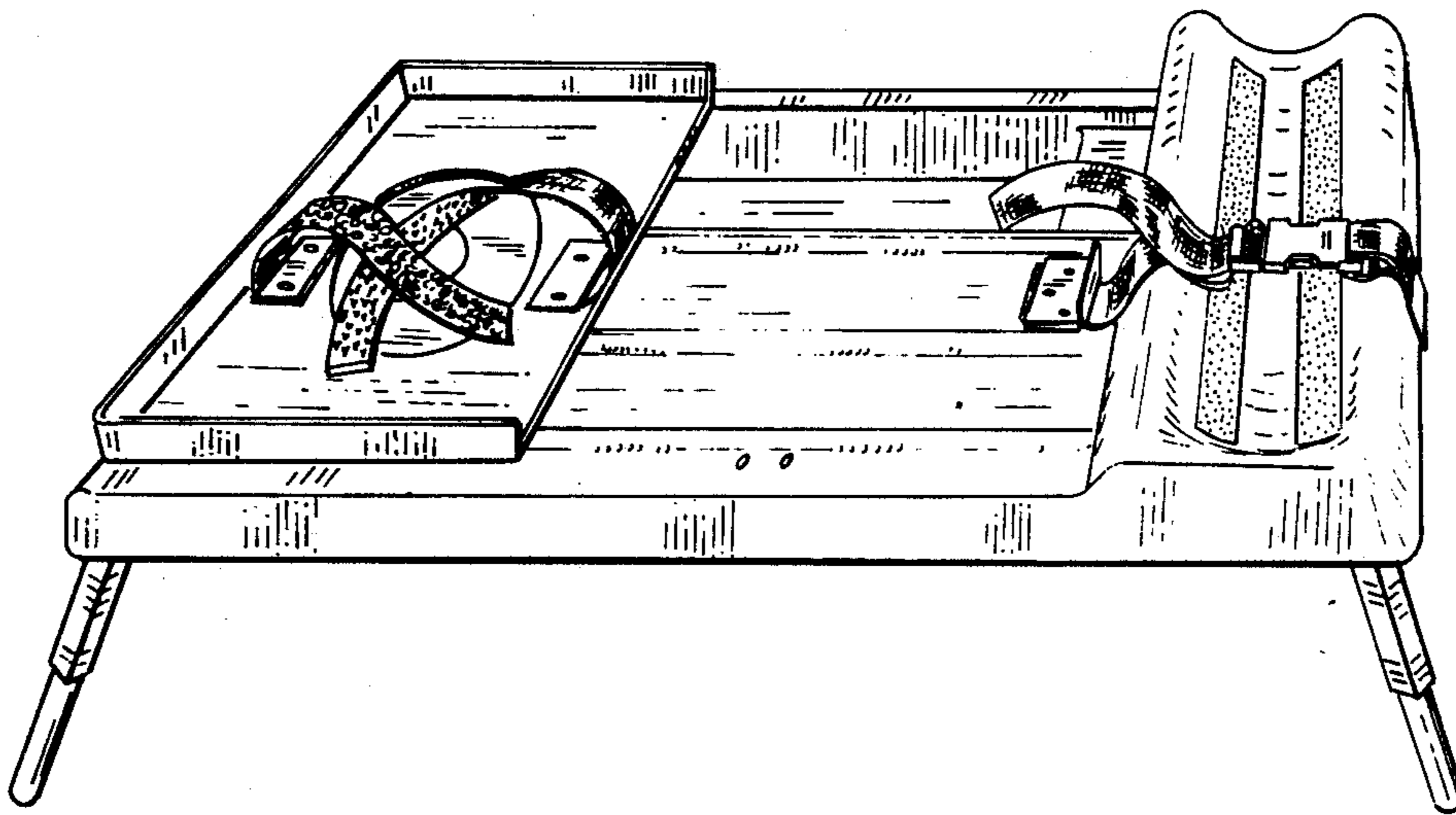
Primary Examiner—Wallace R. Burke
Assistant Examiner—Stella M. Reid
Attorney, Agent, or Firm—Charmasson & Holz

[57] **CLAIM**

The ornamental design for a gurney auxiliary equipment tray, as shown and described.

DESCRIPTION

FIG. 1 is a front perspective view of a gurney auxiliary equipment tray showing my new design; FIG. 2 is a diametrically opposite perspective view thereof;



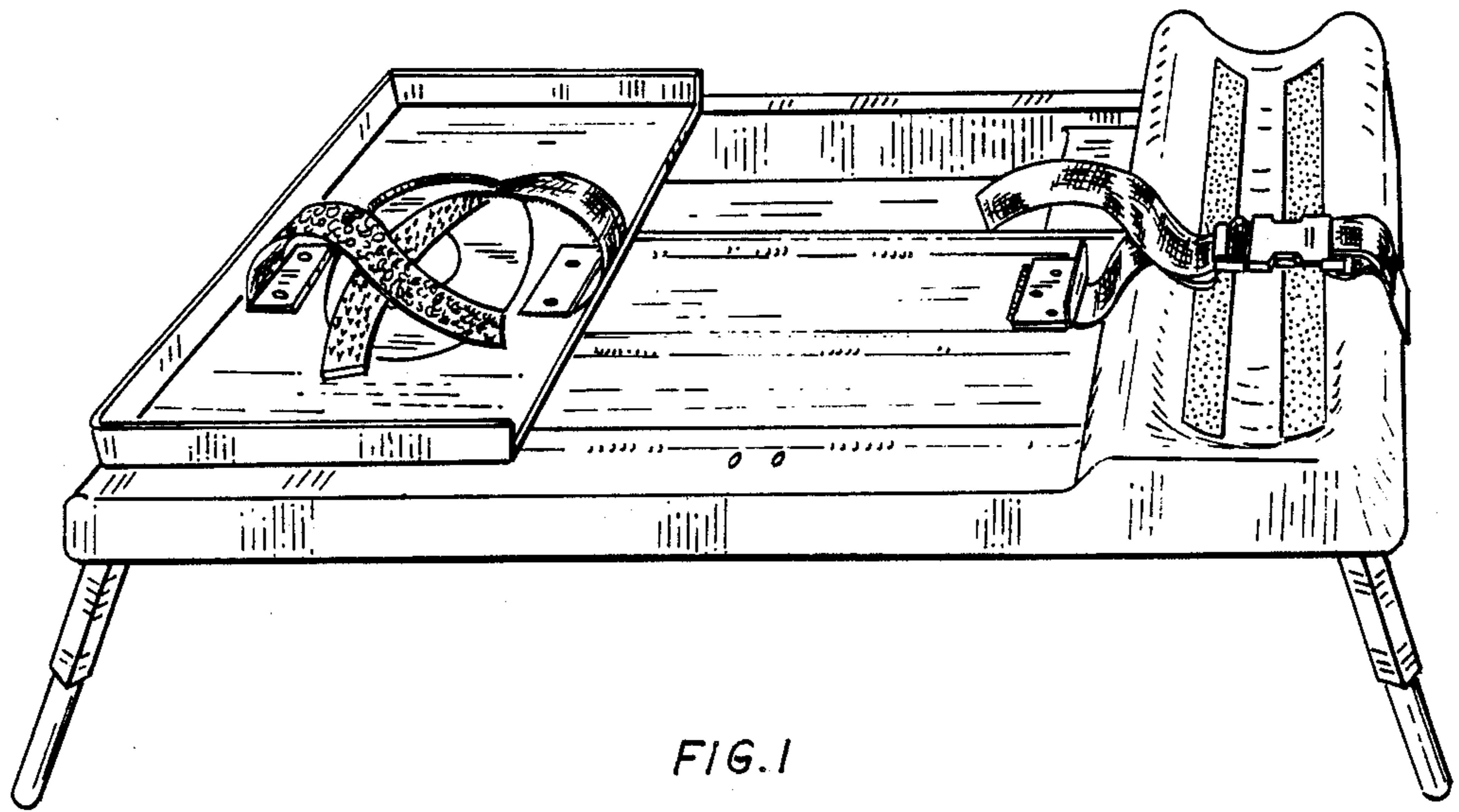


FIG. 1

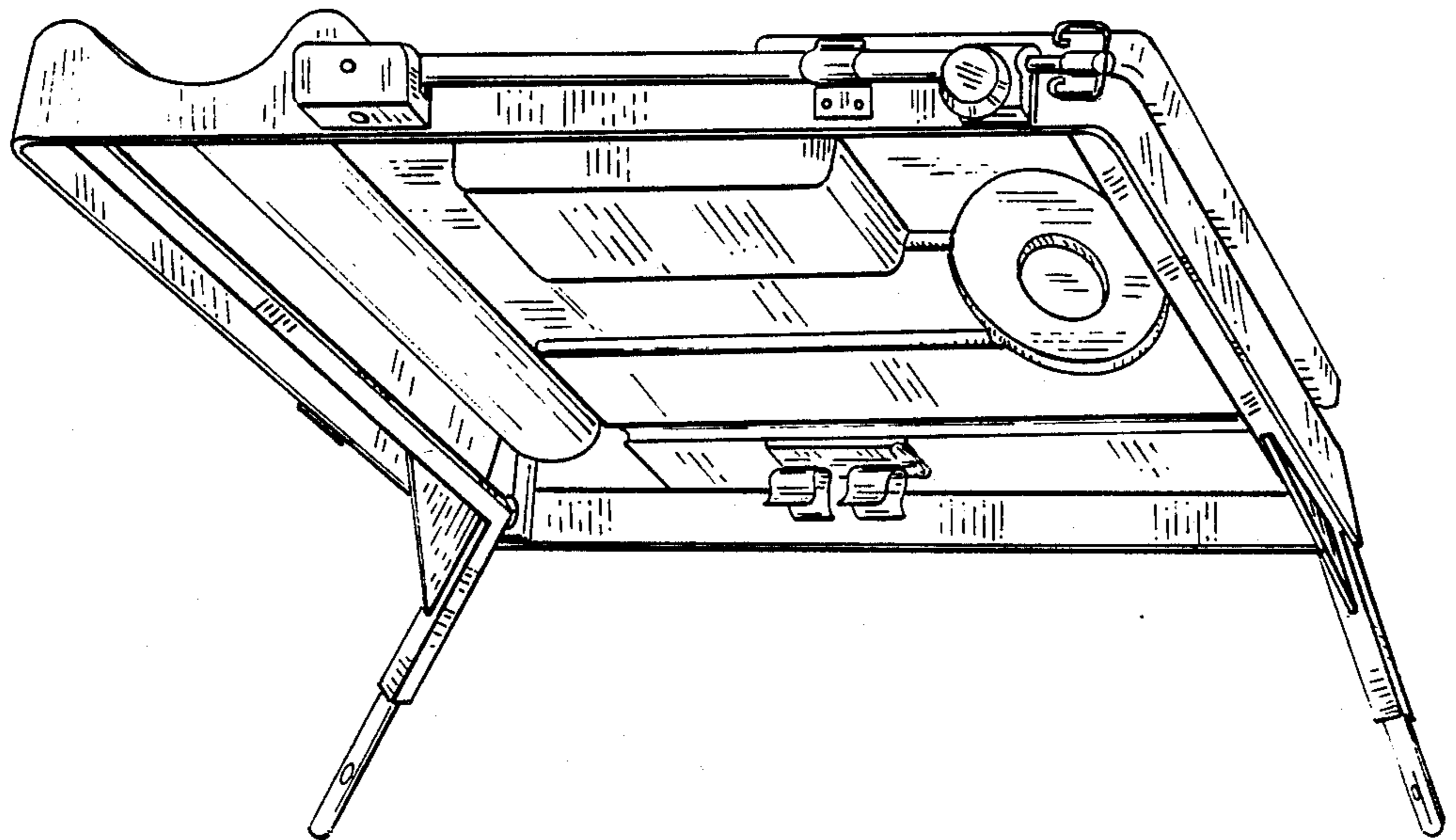


FIG. 2