

[54] SPRAY GUN

[75] Inventors: Steven W. Post, Jonesboro, Ark.; Edward A. Bellandi, San Jose, Calif.

[73] Assignee: FMC Corporation, Chicago, Ill.

[\*\*] Term: 14 Years

[21] Appl. No.: 56,836

[22] Filed: Jun. 1, 1987

[52] U.S. Cl. .... D23/226

[58] Field of Search ..... D23/213, 223, 224, 225, D23/226, 227; 222/79; 239/525-527

[56] References Cited

U.S. PATENT DOCUMENTS

3,944,141 3/1976 Siczek ..... 239/526

OTHER PUBLICATIONS

Spraying Systems Co. Bulletin 112, Oct. 1968, p. 5, No. 22NL GunJet Spray Gun, middle of page.

Wagner Spray Tech Corporation Pro-Series Advertising Flyer, Jan. 1986, p. 1, Wagner G-10™ Airless Gun, top of page.

Primary Examiner—James M. Gandy

Assistant Examiner—Lisa Lichtenstein

Attorney, Agent, or Firm—Douglas W. Rudy; Richard B. Megley

[57] CLAIM

The ornamental design for a spray gun, as shown.

DESCRIPTION

FIG. 1 is a perspective view of the spray gun showing our new design;

FIG. 2 is a side elevation view thereof opposite to the side shown in FIG. 1;

FIG. 3 is a top plan view thereof;

FIG. 4 is a front elevation view thereof; and

FIG. 5 is a rear elevation view thereof.

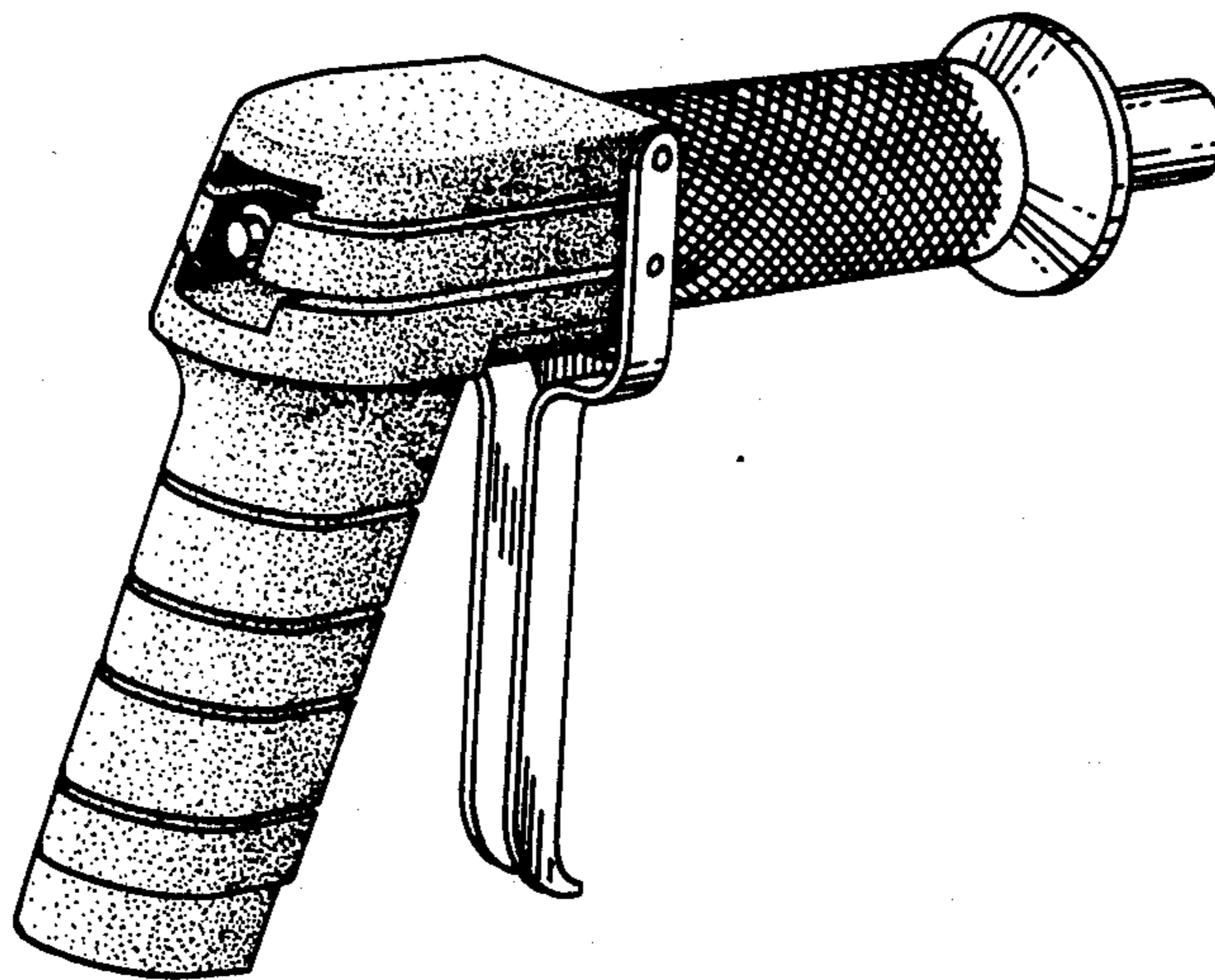


FIG. 1

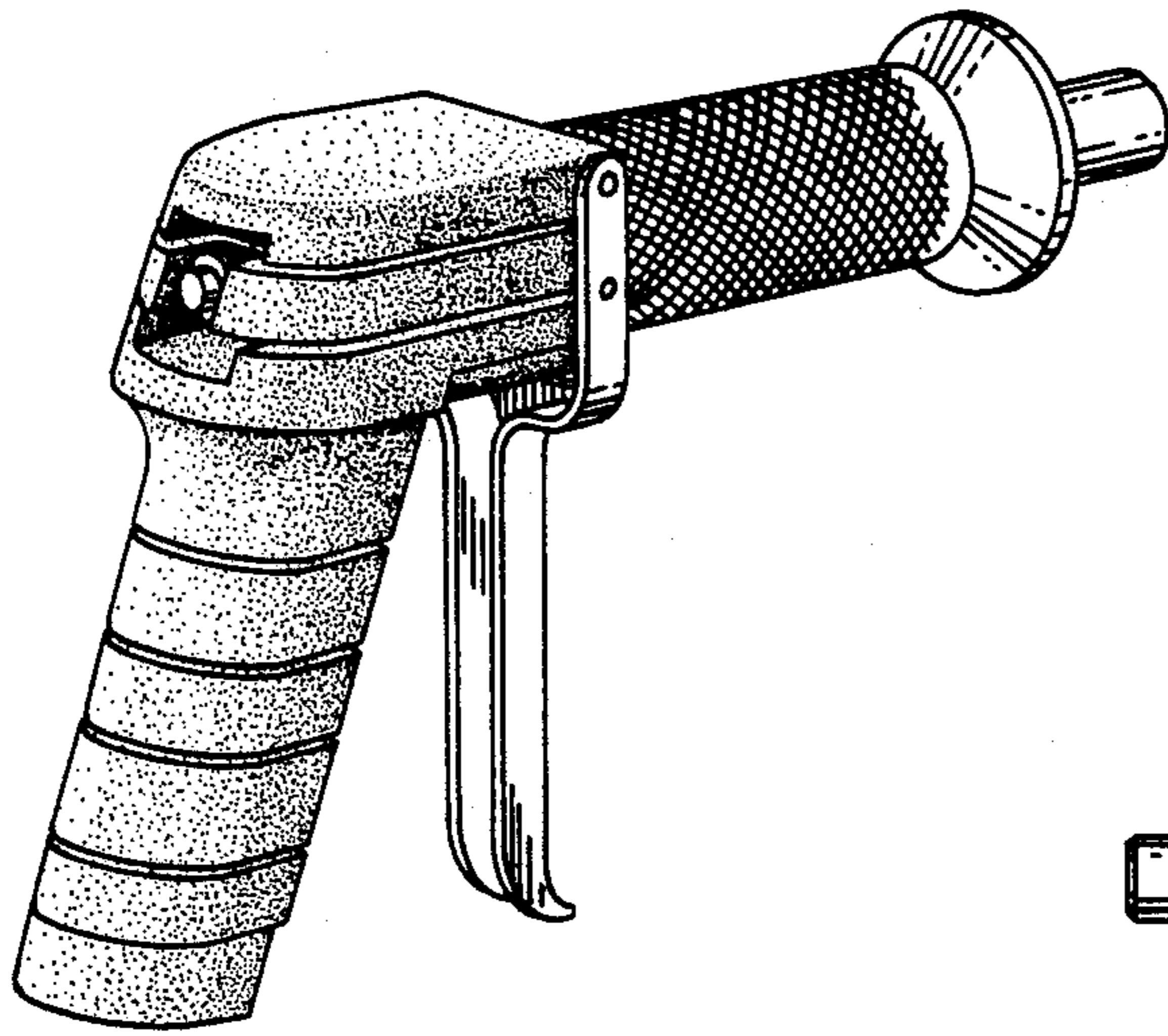


FIG. 2

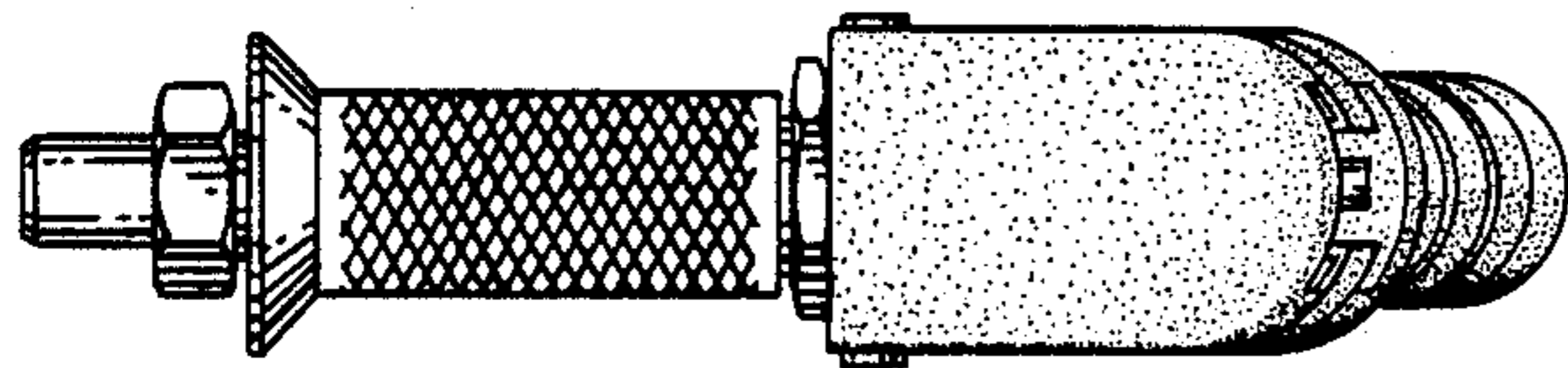
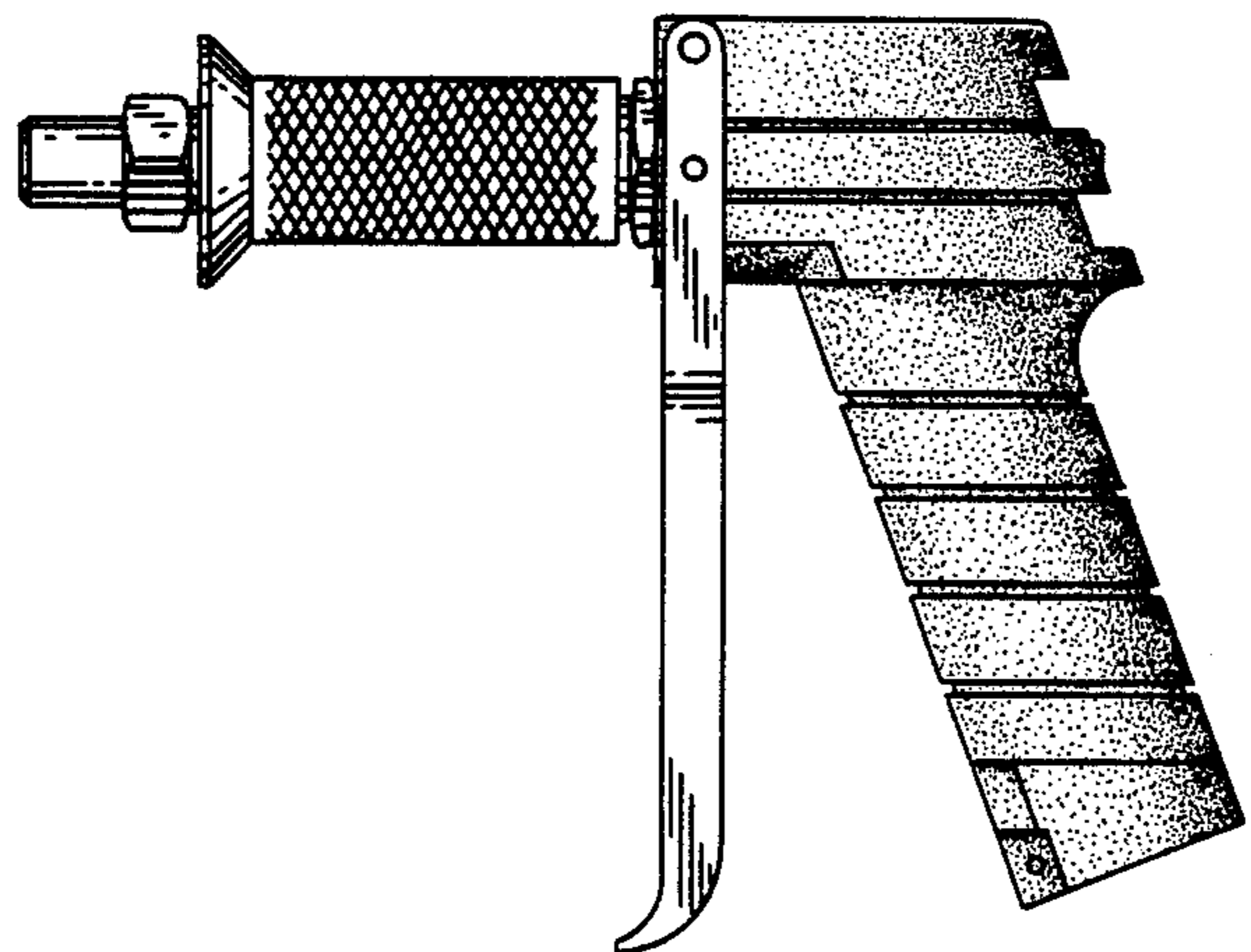


FIG. 3

FIG. 5

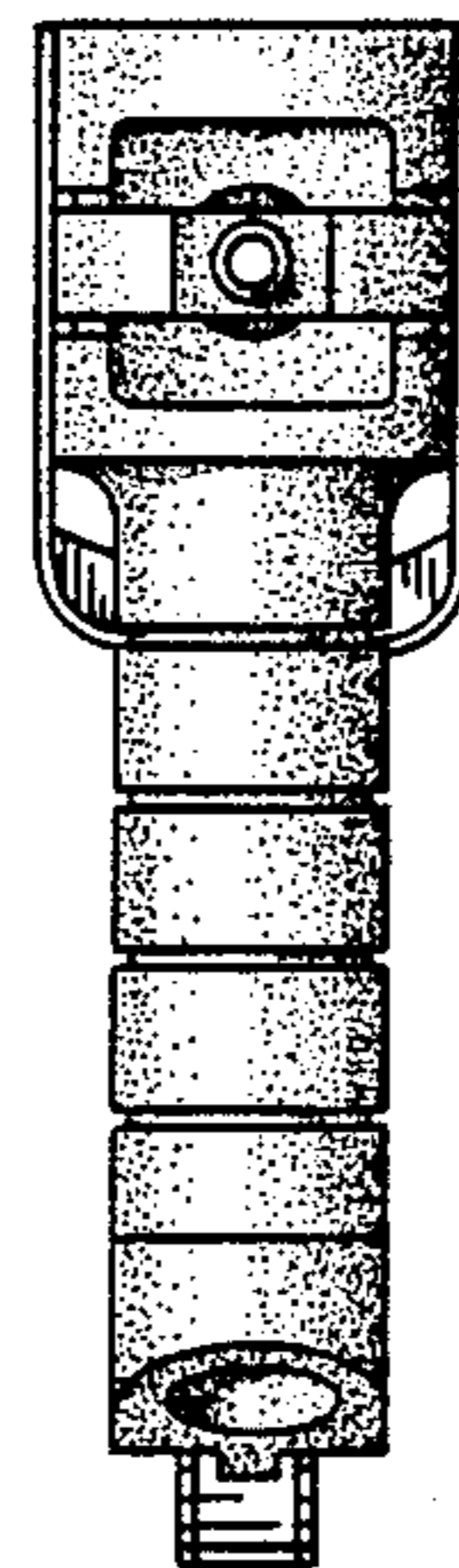


FIG. 4

