

United States Patent [19]

Houser

[11] Patent Number: **Des. 304,756**

[45] Date of Patent: **** Nov. 21, 1989**

[54] FLUID HOLDING TANK

2,050,686 8/1936 Wiggins 220/85 S

[76] Inventor: **Franklin C. Houser**, 15520 Donmetz St., Mission Hills, Calif. 91345

Primary Examiner—James M. Gandy
Assistant Examiner—Lisa Lichtenstein
Attorney, Agent, or Firm—Francis X. LoJacono

[**] Term: **14 Years**

[21] Appl. No.: **43,994**

[57] **CLAIM**

The ornamental design for a fluid holding tank, as shown and described.

[22] Filed: **Apr. 29, 1987**

[52] U.S. Cl. **D23/205**

[58] Field of Search **D23/205, 200, 202, 204, D23/206; 220/1 B, 1 C, 85 S, 3**

DESCRIPTION

FIG. 1 is a perspective view of a fluid holding tank, showing my new design;

FIG. 2 is a front-elevational view thereof;

FIG. 3 is a bottom-plan view thereof;

FIG. 4 is a top-plan view thereof; and

FIG. 5 is a side-elevational view thereof, the opposite side being a mirror image of that shown.

[56] **References Cited**

U.S. PATENT DOCUMENTS

D. 233,752 11/1974 Scheffler, Jr. D23/205
857,626 6/1907 Horton D23/205
1,865,822 7/1932 Boardman D23/205

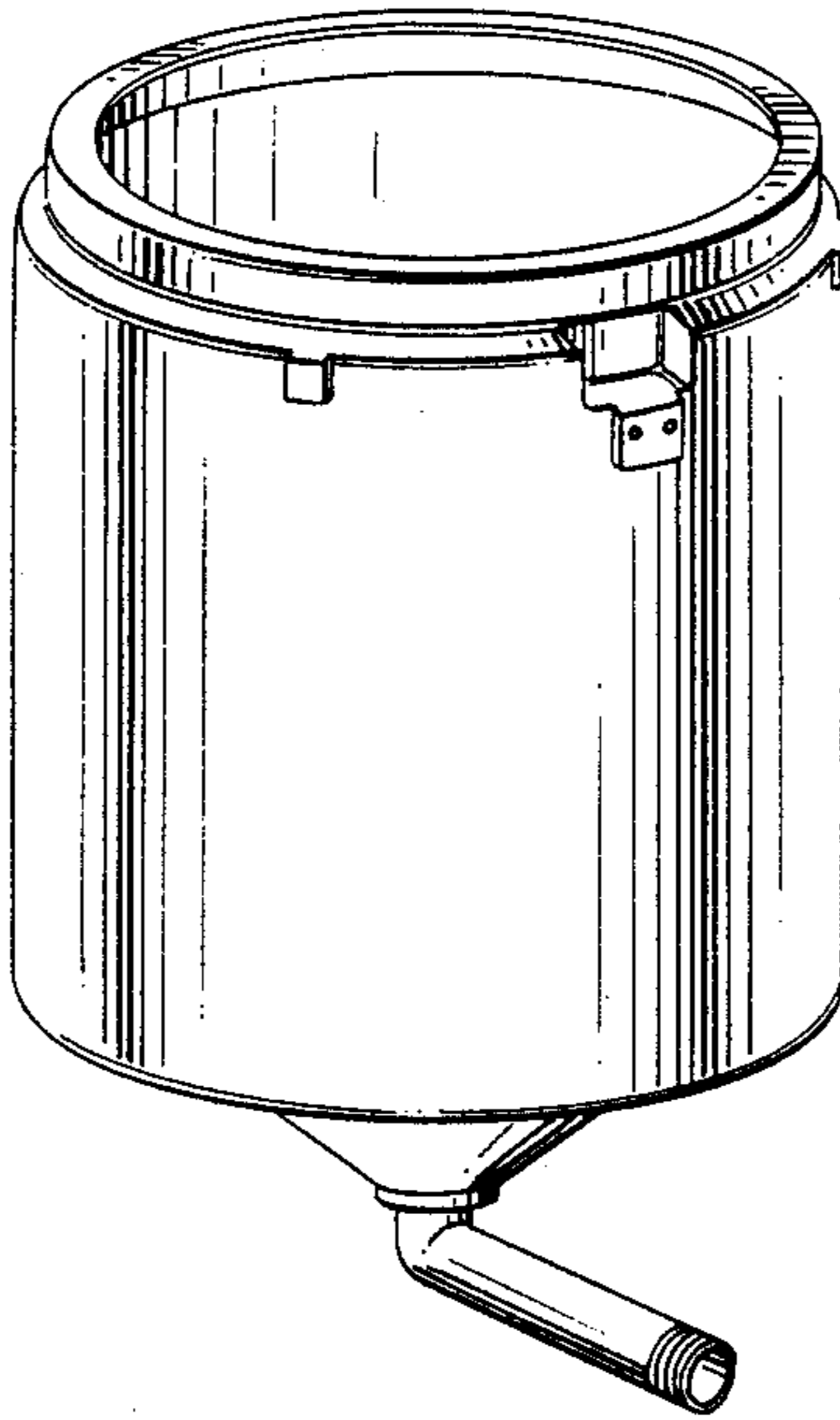


FIG. 1

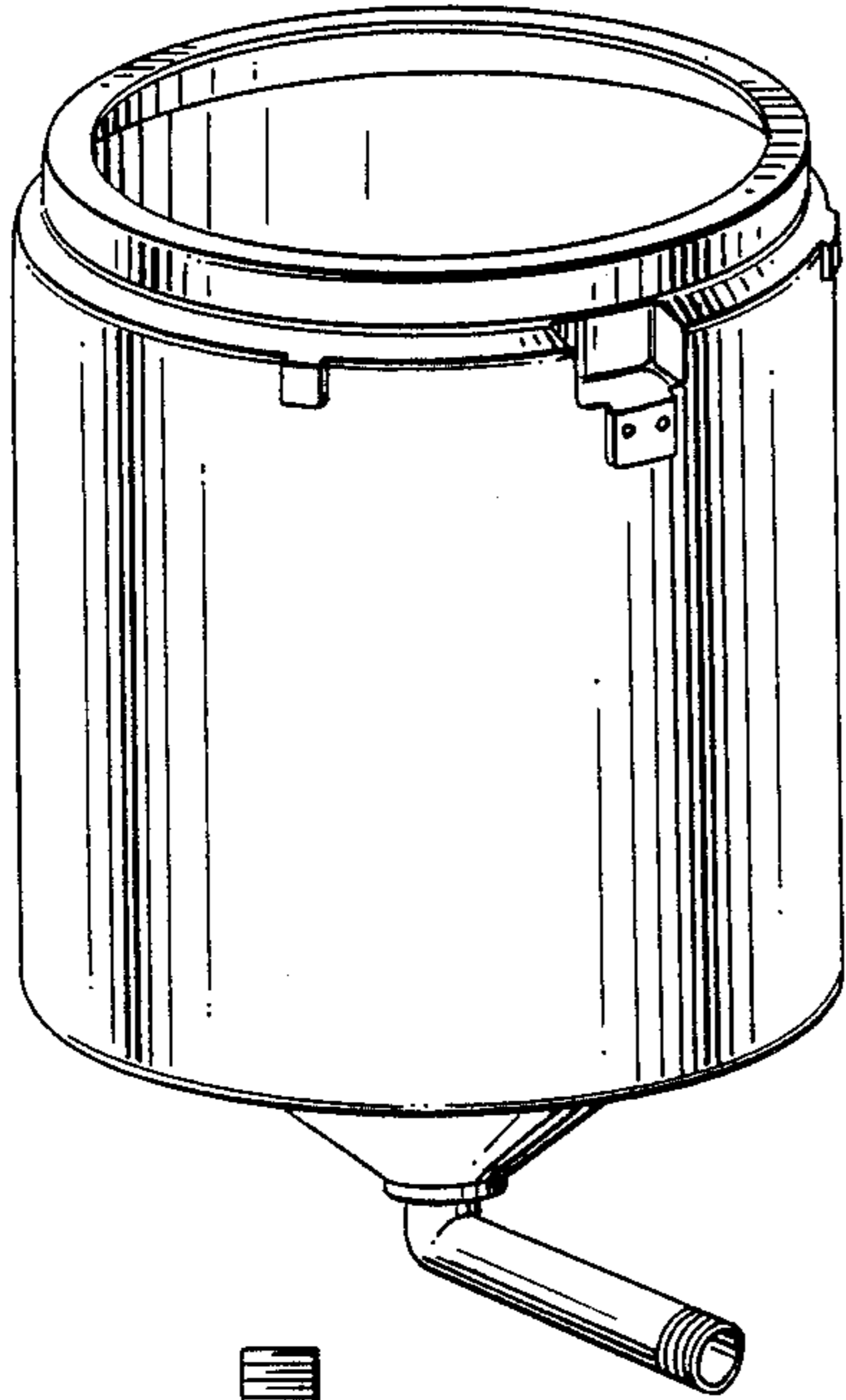


FIG. 2

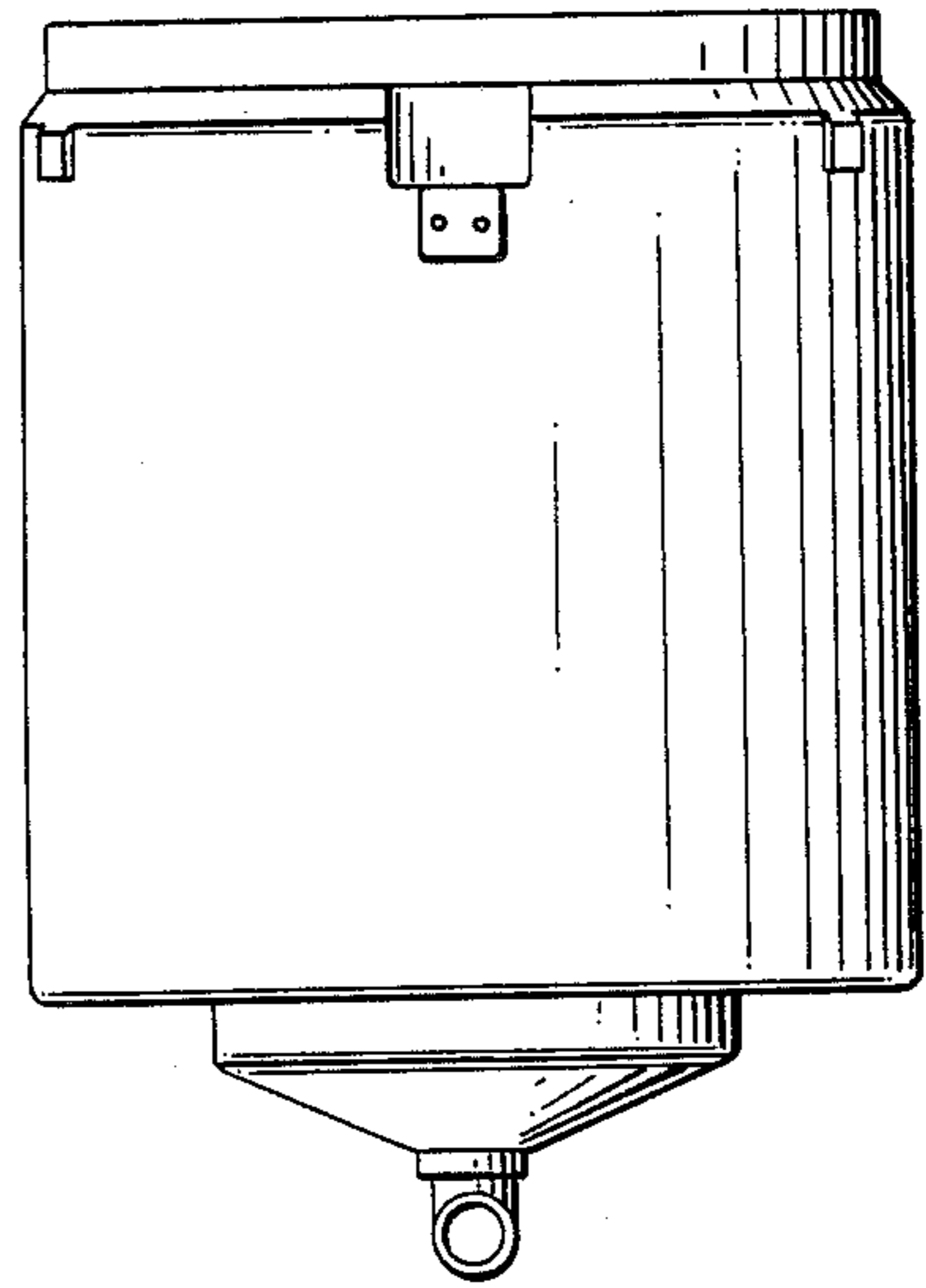


FIG. 3

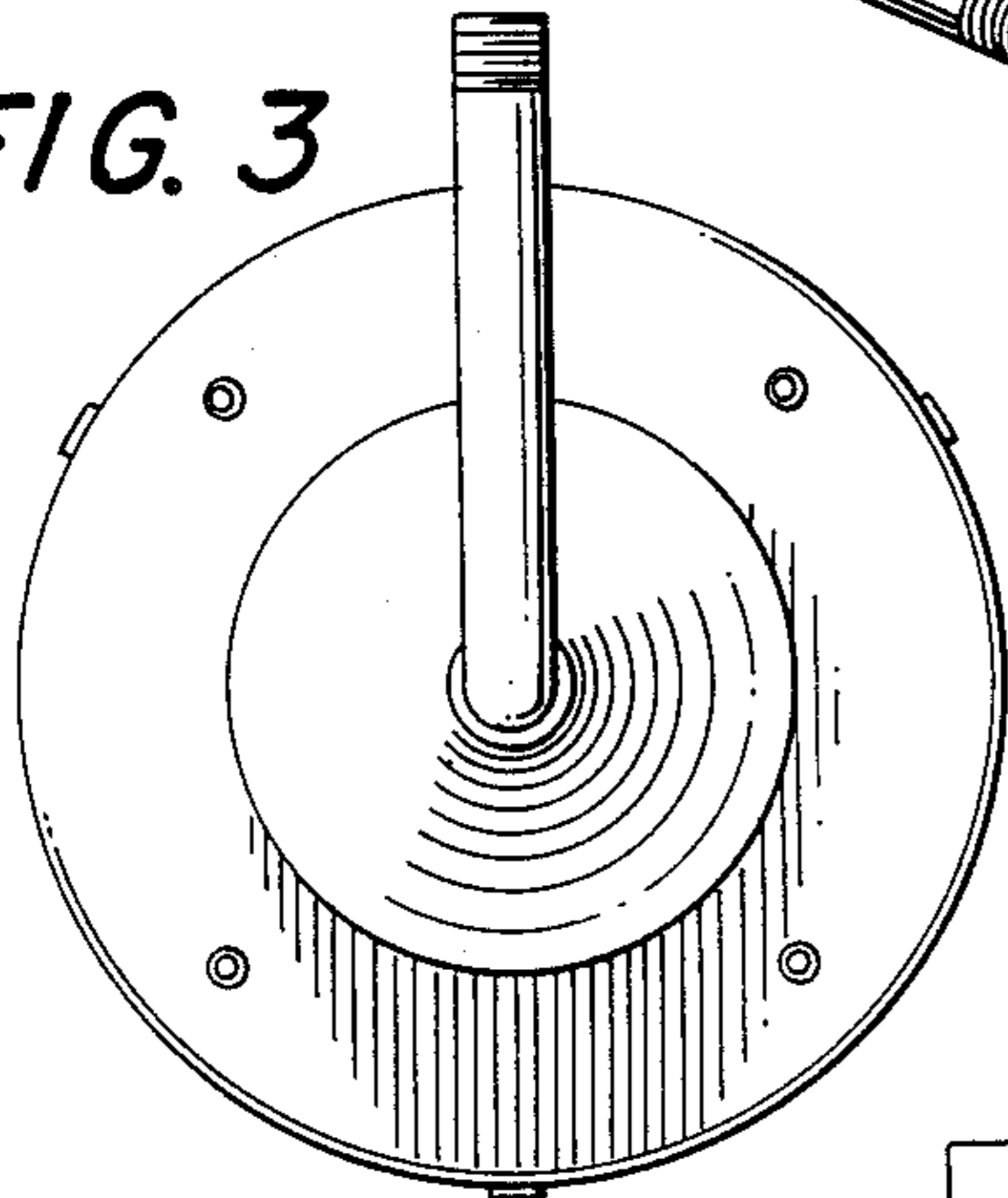


FIG. 4

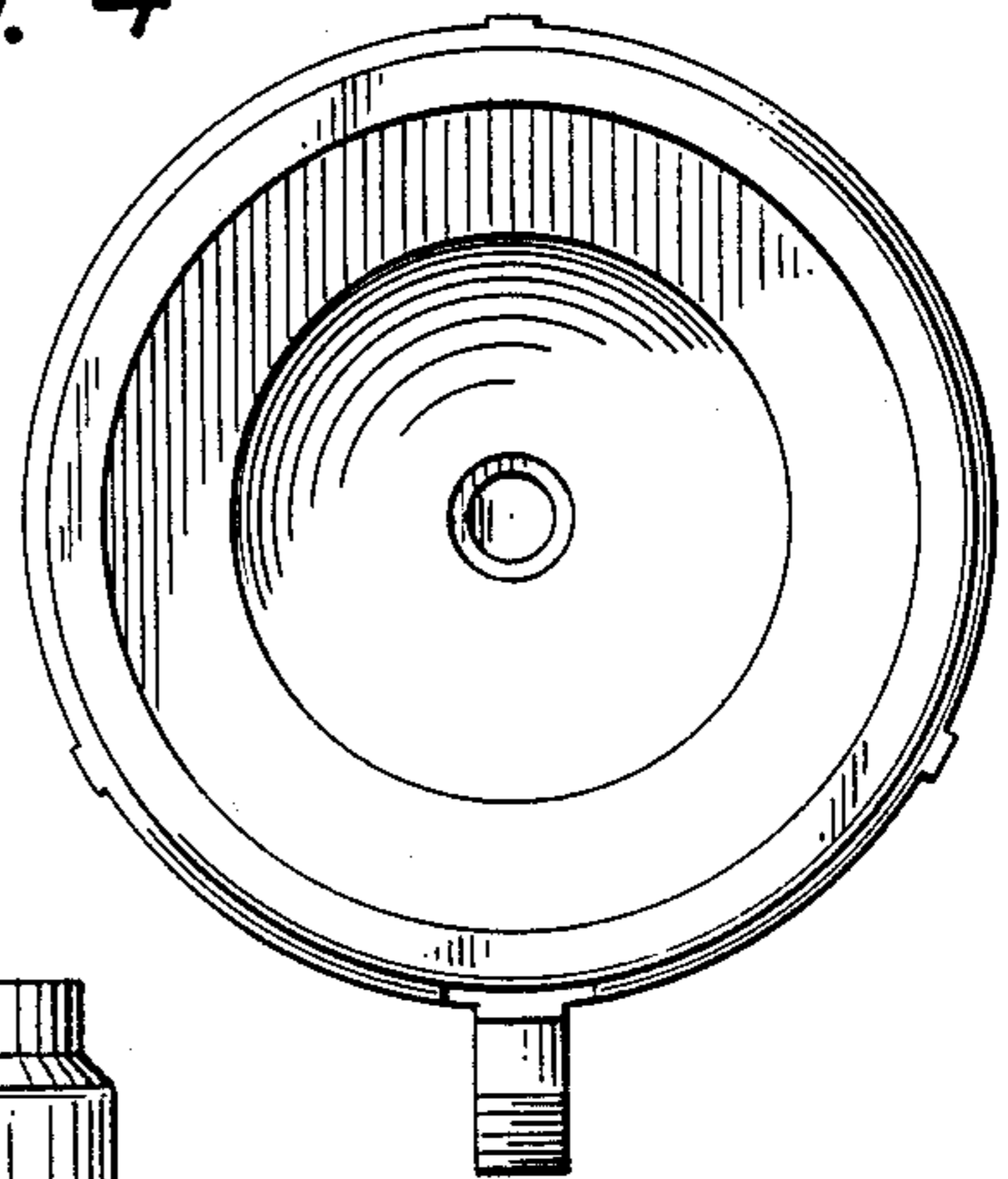


FIG. 5

