

[54] **FISHING HAND CASTER**
[76] **Inventor: Alexander S. Corrie, 36 Manilla Street, East Brisbane, Australia, 4169**
[**] **Term: 14 Years**
[21] **Appl. No.: 20,679**
[22] **Filed: Mar. 2, 1987**
[30] **Foreign Application Priority Data**
Nov. 14, 1986 [AU] Australia 7475/86
[52] **U.S. Cl. D22/137**
[58] **Field of Search 43/20, 22; 242/85.2 J, 242/85.1, 118.4; D22/137, 140, 141**
[56] **References Cited**
U.S. PATENT DOCUMENTS
D. 296,812 7/1988 Fabry D22/137

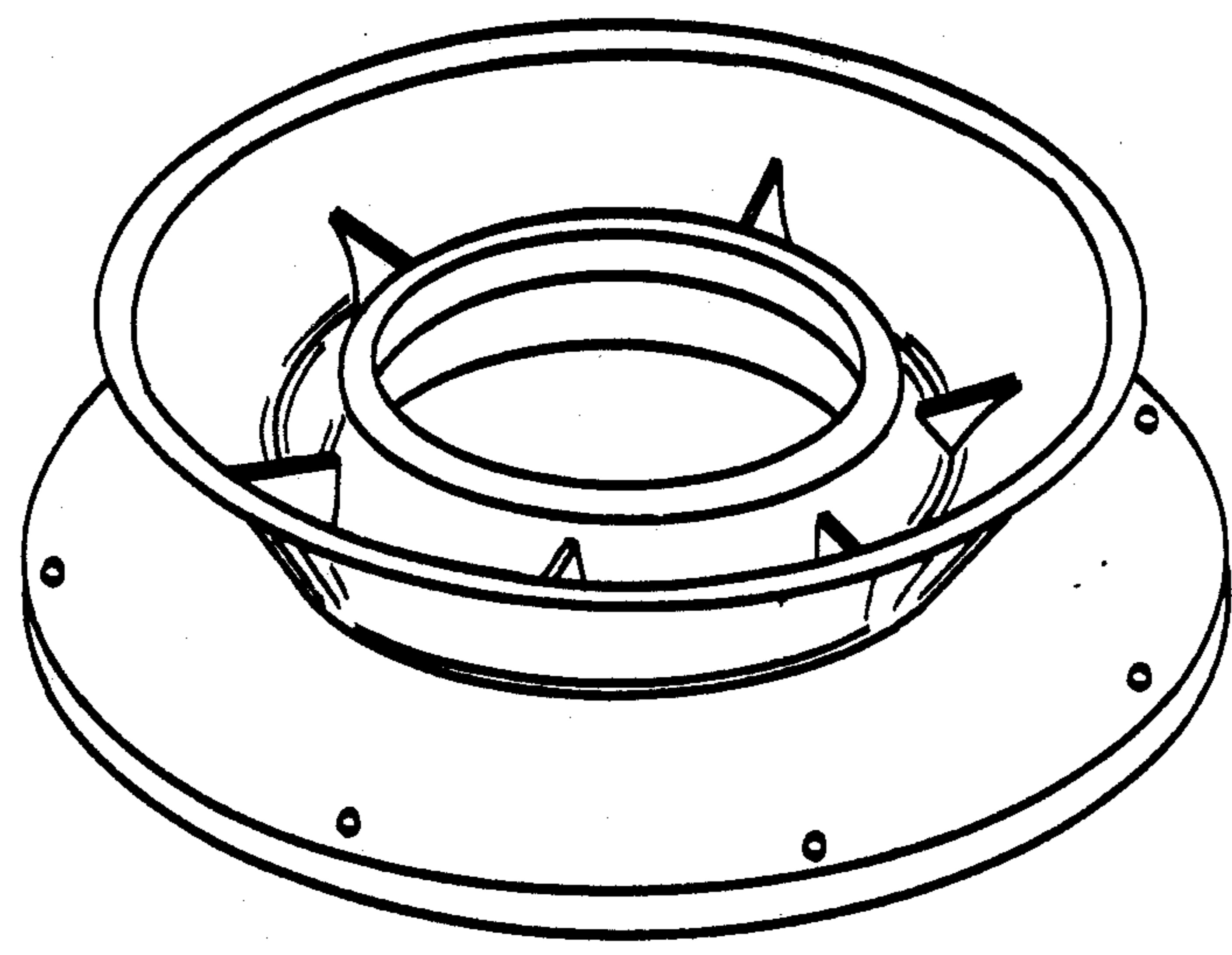
2,890,842 6/1959 Rickard D22/137 X
3,010,673 11/1961 Marconi D22/137 X

Primary Examiner—A. Hugo Word
Attorney, Agent, or Firm—Brumbaugh, Graves, Donohue & Raymond

[57] **CLAIM**
The ornamental design for a fishing hand caster, as shown.

DESCRIPTION

FIG. 1 is a top plan view of the fishing hand caster showing my new design;
FIG. 2 is a bottom plan view thereof;
FIG. 3 is a side elevational view thereof;
FIG. 4 is a sectional side elevational view thereof taken on line 4—4 on FIG. 2;
FIG. 5 is a bottom perspective view thereof;
FIG. 6 is a top perspective view thereof.



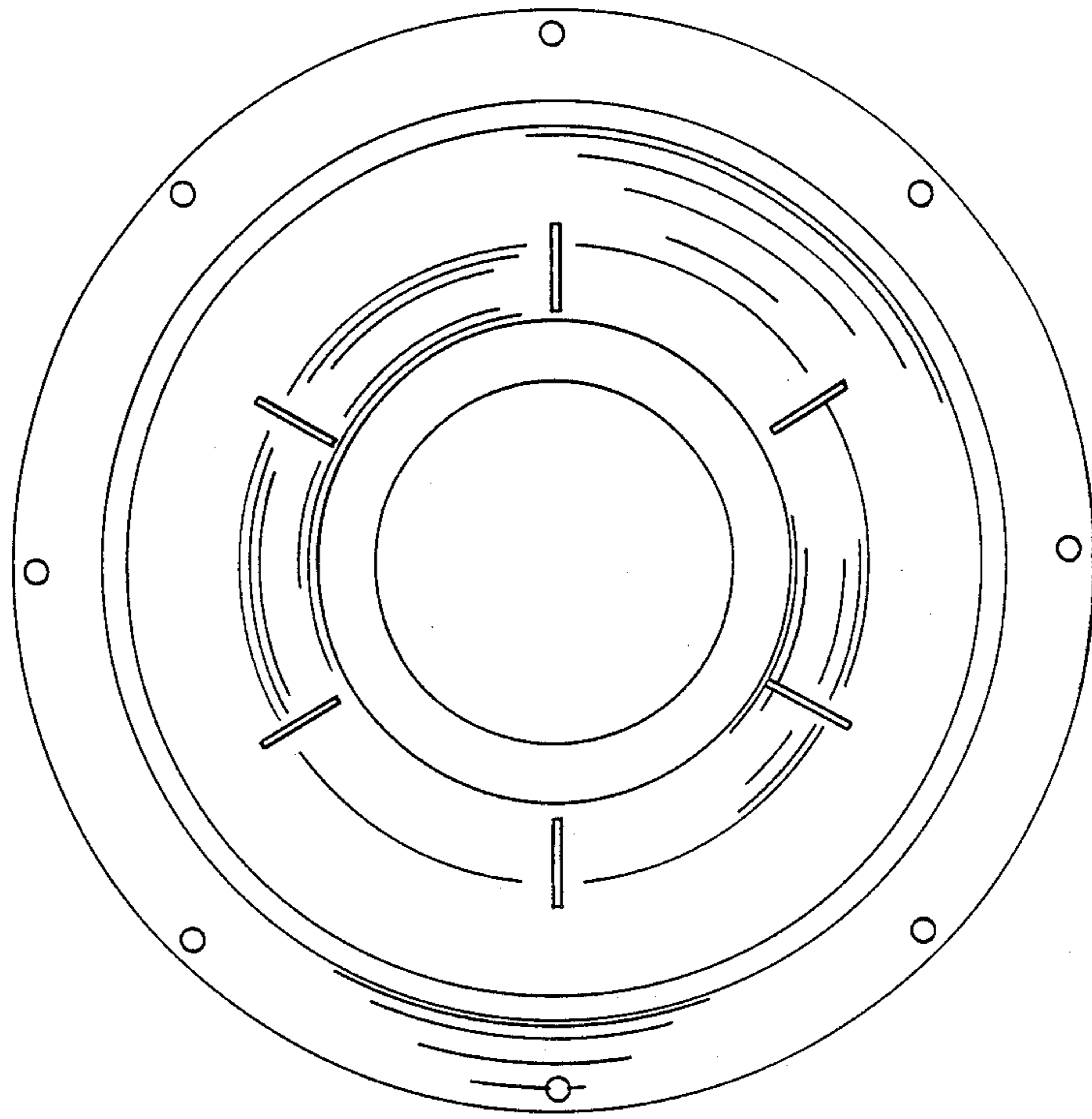


FIG.1

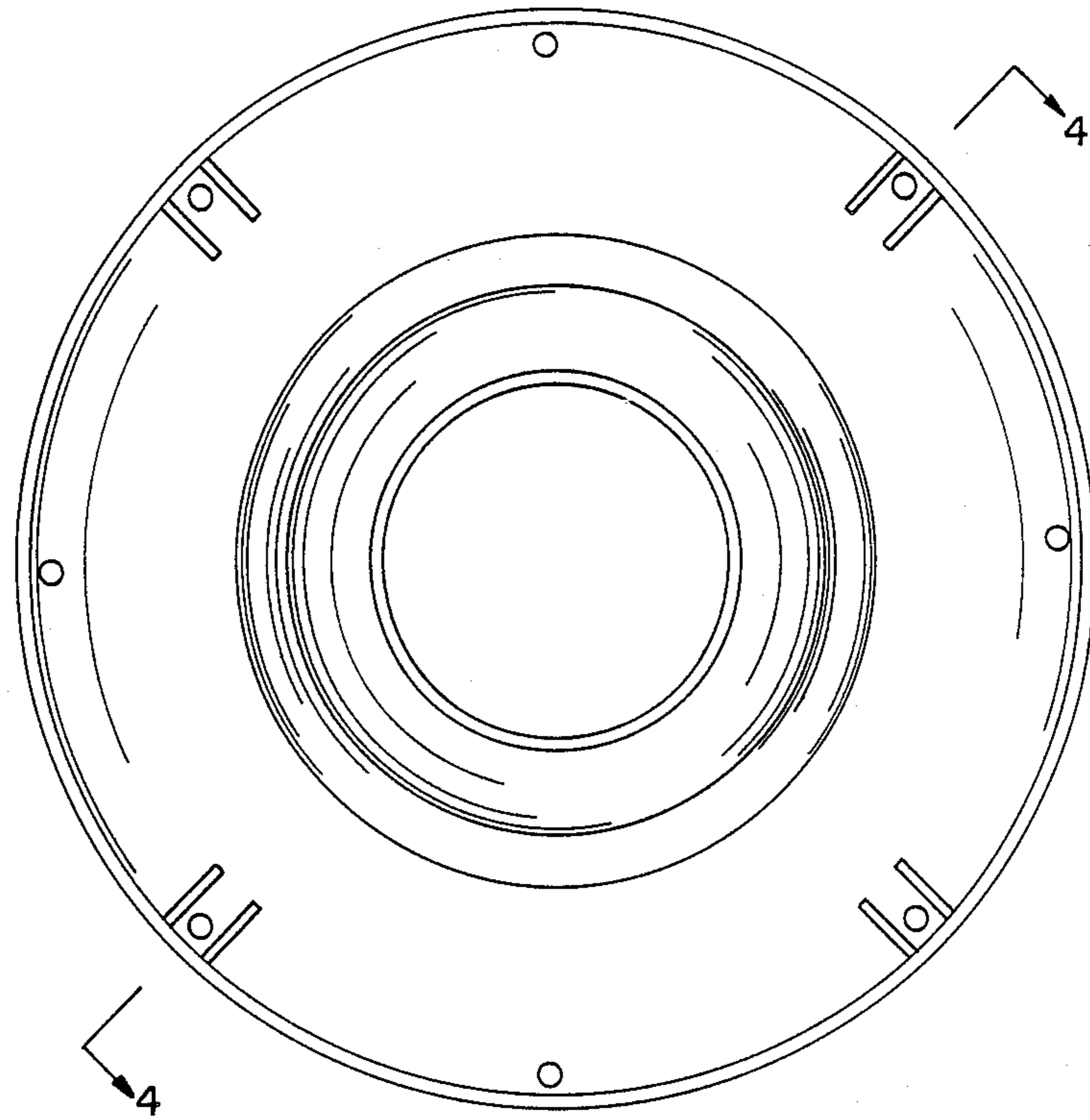


FIG.2

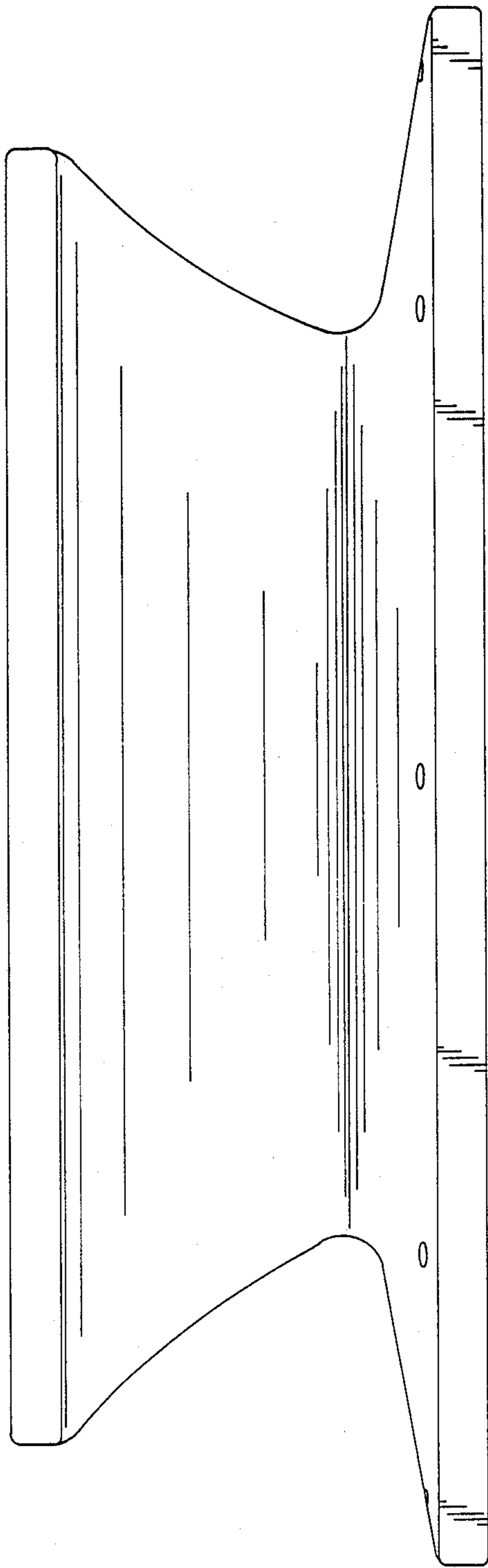


FIG.3

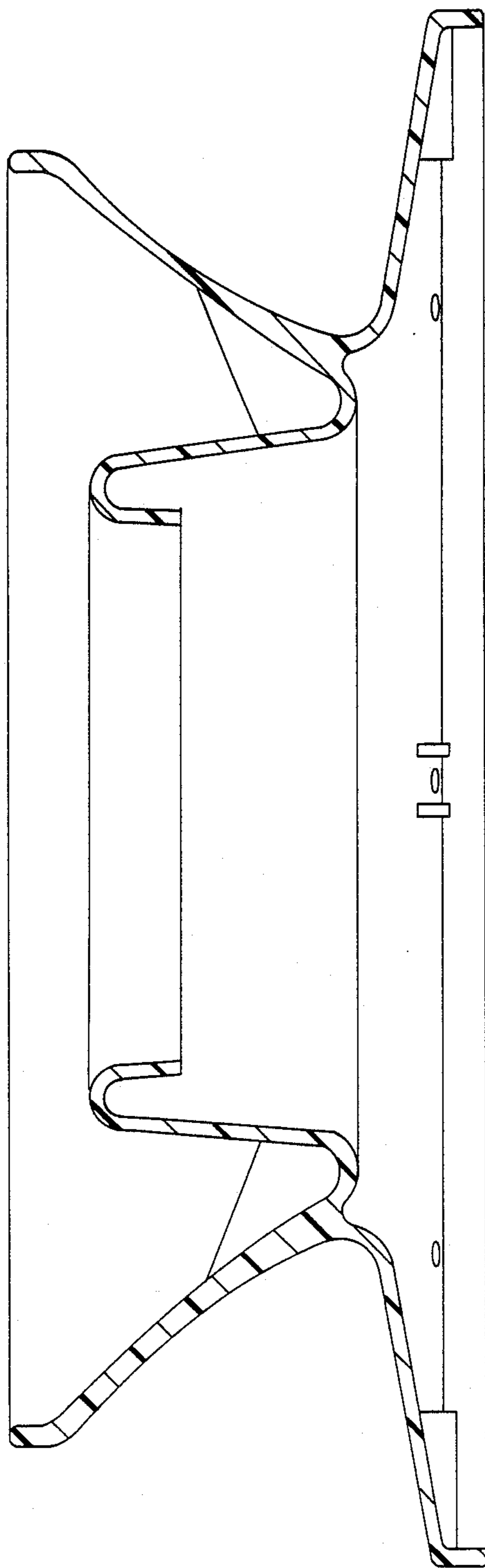


FIG. 4

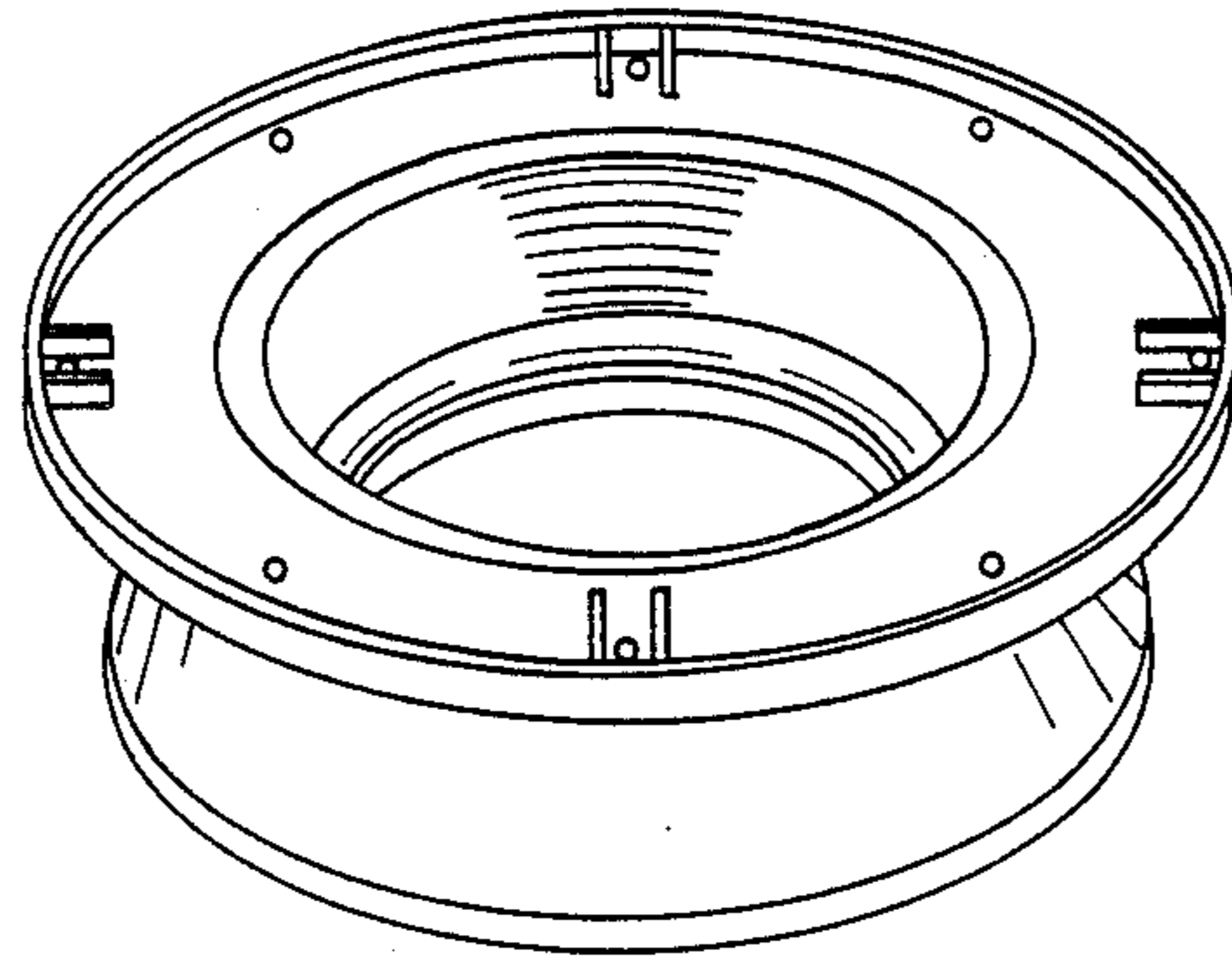


FIG. 5

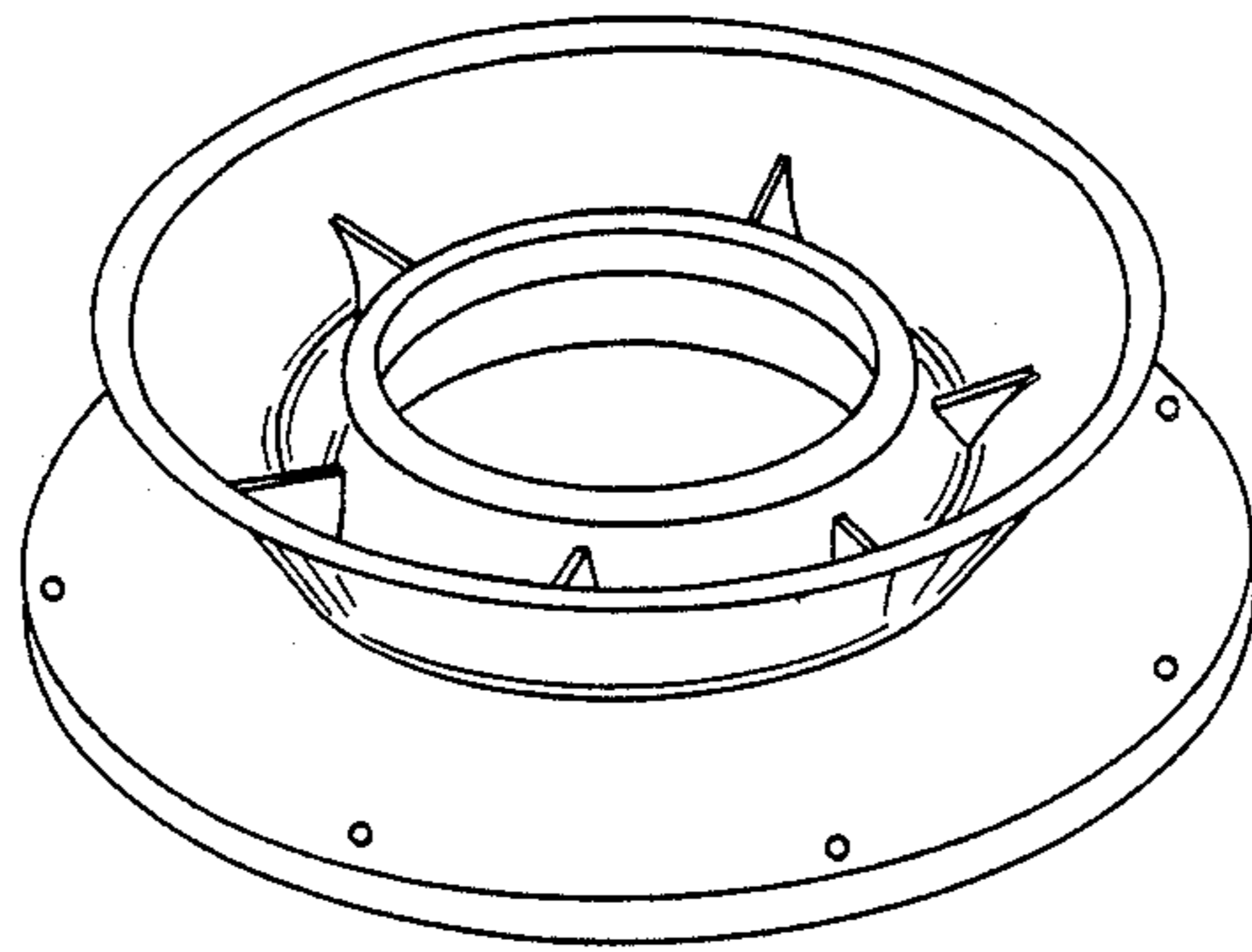


FIG. 6