

[54] **TOY FENCE**

[75] **Inventor: Erling T. Dideriksen, Billund, Denmark**

[73] **Assignee: Interlego A.G., Switzerland**

[\*\*] **Term: 14 Years**

[21] **Appl. No.: 128,471**

[22] **Filed: Dec. 2, 1987**

[52] **U.S. Cl. .... D21/109; D21/108**

[58] **Field of Search ..... D25/38; D21/109, 59, D21/114, 116, 118, 119, 121, 108; 446/479, 487, 470, 491, 851, 109, 116, 119, 120, 121**

[56] **References Cited**

**U.S. PATENT DOCUMENTS**

D. 231,553 4/1974 Norman et al. .... D21/108  
D. 247,751 4/1978 Appleby ..... D25/38

**OTHER PUBLICATIONS**

Childcraft catalog-Holiday-1984, p. 20, Item #C-Pipeline Toy.

Hong Kong Toys-'85, p. 489, Toy Fence at bottom right corner of page.

*Primary Examiner*—Charles A. Rademaker  
*Attorney, Agent, or Firm*—Kane, Dalsimer, Sullivan, Kurucz, Levy, Eisele and Richard

[57] **CLAIM**

The ornamental design for a toy fence, as shown and described.

**DESCRIPTION**

FIG. 1 is a top perspective view of the toy fence showing my new design,

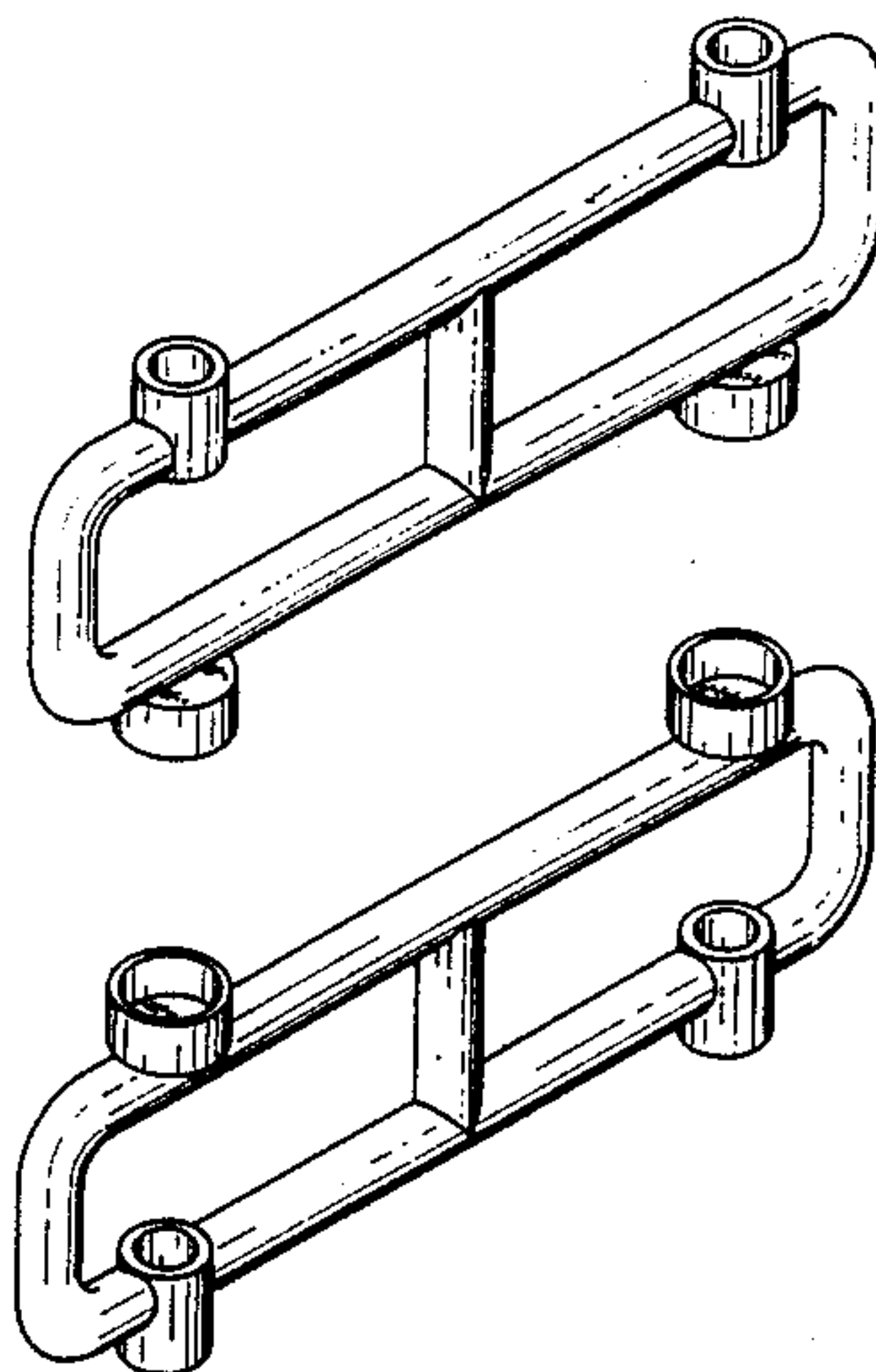
FIG. 2 is a bottom perspective view thereof,

FIG. 3 is a top plan view thereof,

FIG. 4 is a side elevation view thereof, the side opposite being identical;

FIG. 5 is a front elevational view thereof, the side opposite being identical; and,

FIG. 6 is a bottom plan view thereof.



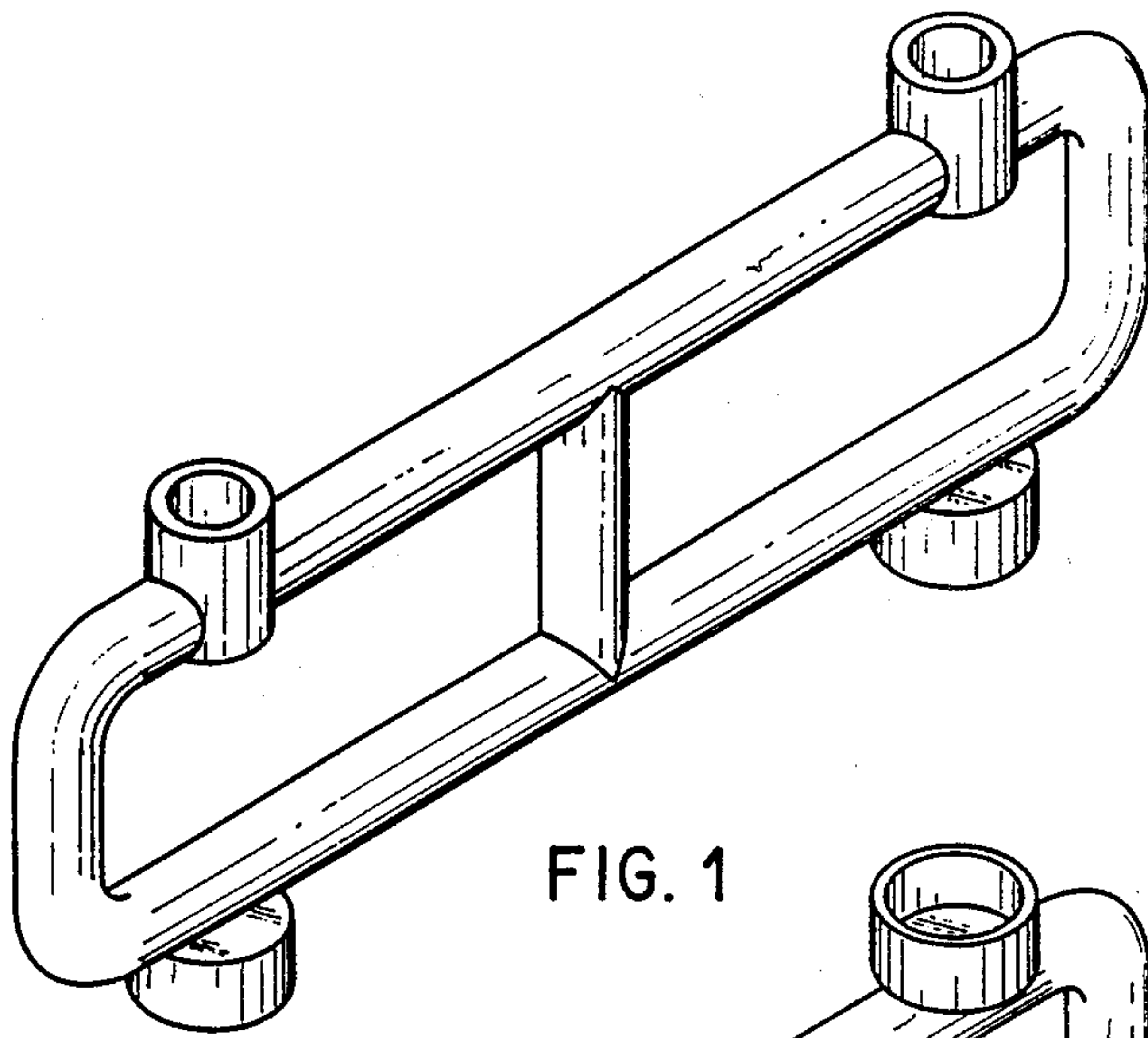


FIG. 1

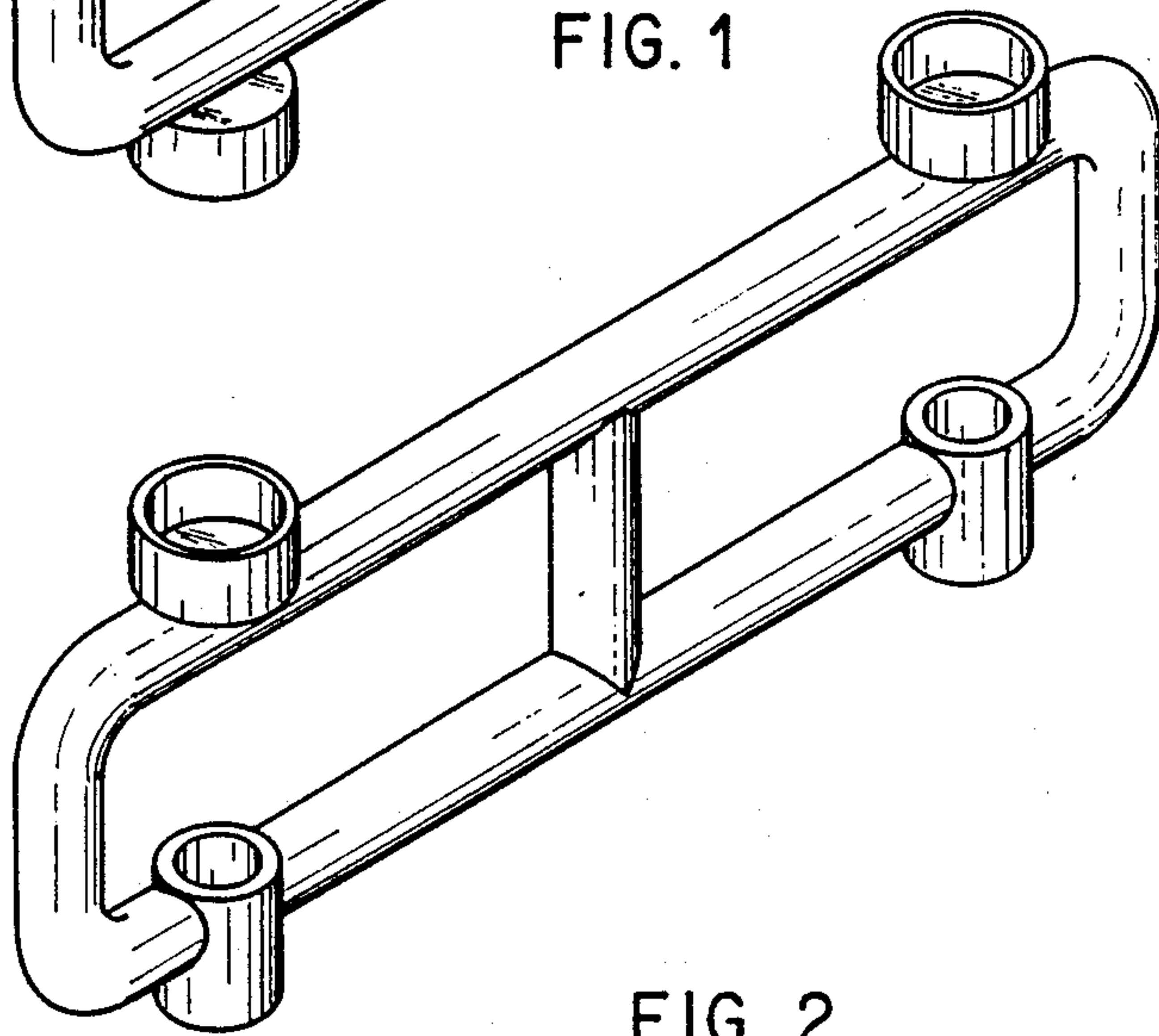


FIG. 2

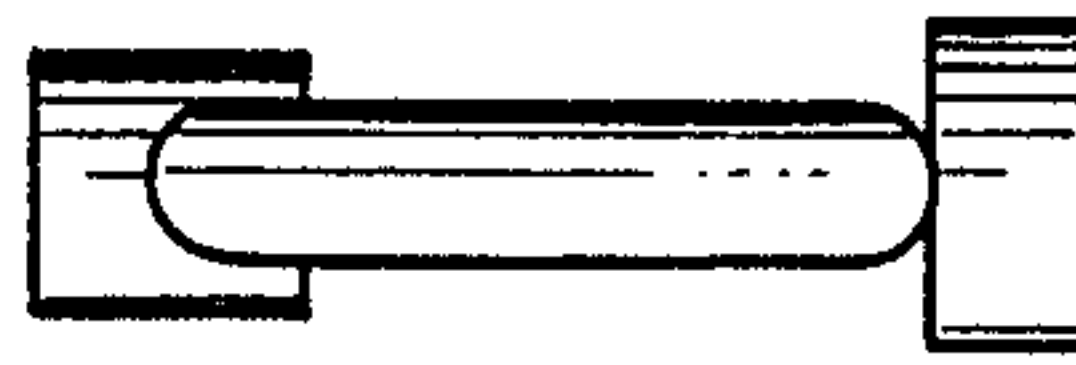


FIG. 5

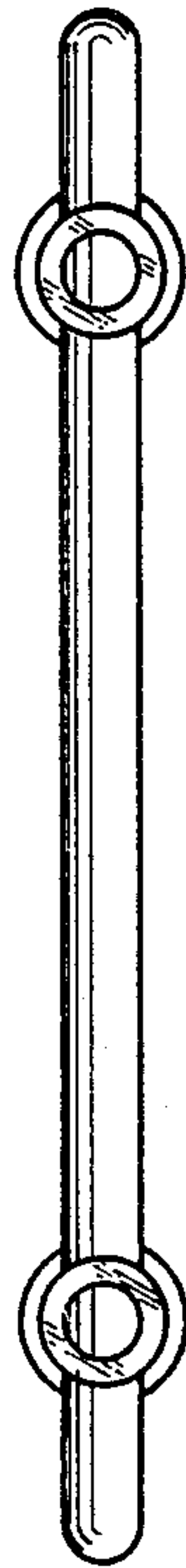


FIG. 3

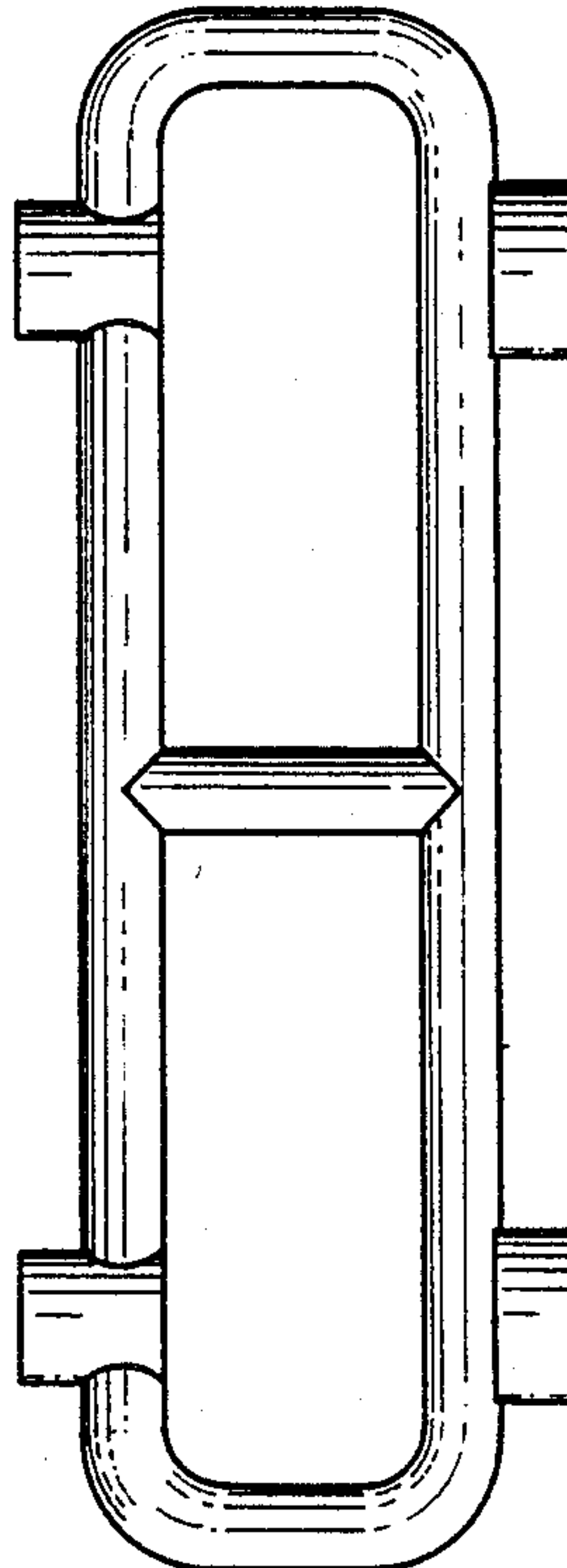


FIG. 4

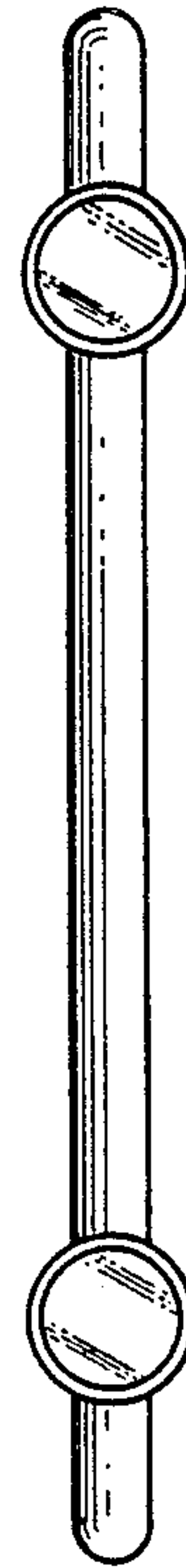


FIG. 6