

# United States Patent [19]

Leszczak et al.

[11] Patent Number: **Des. 304,735**

[45] Date of Patent: **\*\* Nov. 21, 1989**

[54] COVERED SWIVEL ROTARY FILE

[75] Inventors: **John Leszczak, Roselle Park, N.J.;  
Robert B. Staubitz, Avon, Conn.**

[73] Assignee: **Bates Manufacturing Company,  
Hackettstown, N.J.**

[\*\*] Term: **14 Years**

[21] Appl. No.: **6,091**

[22] Filed: **Jan. 21, 1987**

[52] U.S. Cl. .... **D19/76**

[58] Field of Search ..... **D19/76; 40/371, 377,  
40/379; 211/50, 58**

[56] **References Cited**

### U.S. PATENT DOCUMENTS

D. 261,280 10/1981 Goertz ..... D19/76

D. 280,423 9/1985 Burton et al. .... D19/76  
4,079,531 3/1978 Norris et al. .... 40/379

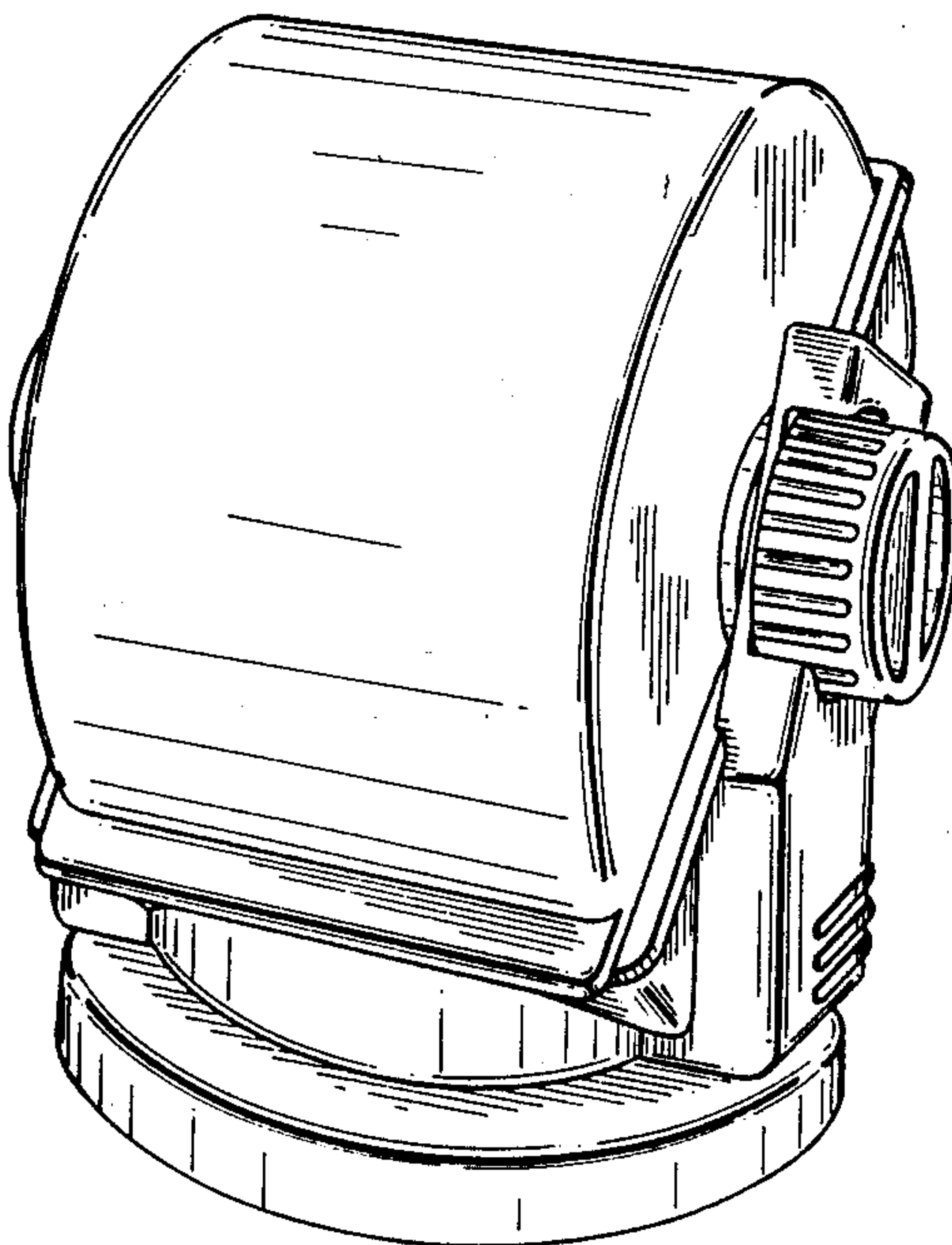
*Primary Examiner*—Bruce W. Dunkins  
*Assistant Examiner*—Martha Thompson  
*Attorney, Agent, or Firm*—Weingram & Zall

### [57] CLAIM

The ornamental design for a covered swivel rotary file, as shown and described.

### DESCRIPTION

FIG. 1 is a front perspective view of a covered swivel rotary file showing our new design; FIG. 2 is a front elevational view on an enlarged scale; FIG. 3 is a top plan view; FIG. 4 is a right side elevational view, the opposite side being mirror image thereof; FIG. 5 is a rear elevational view; and FIG. 6 is a bottom plan view thereof.



*FIG-1*

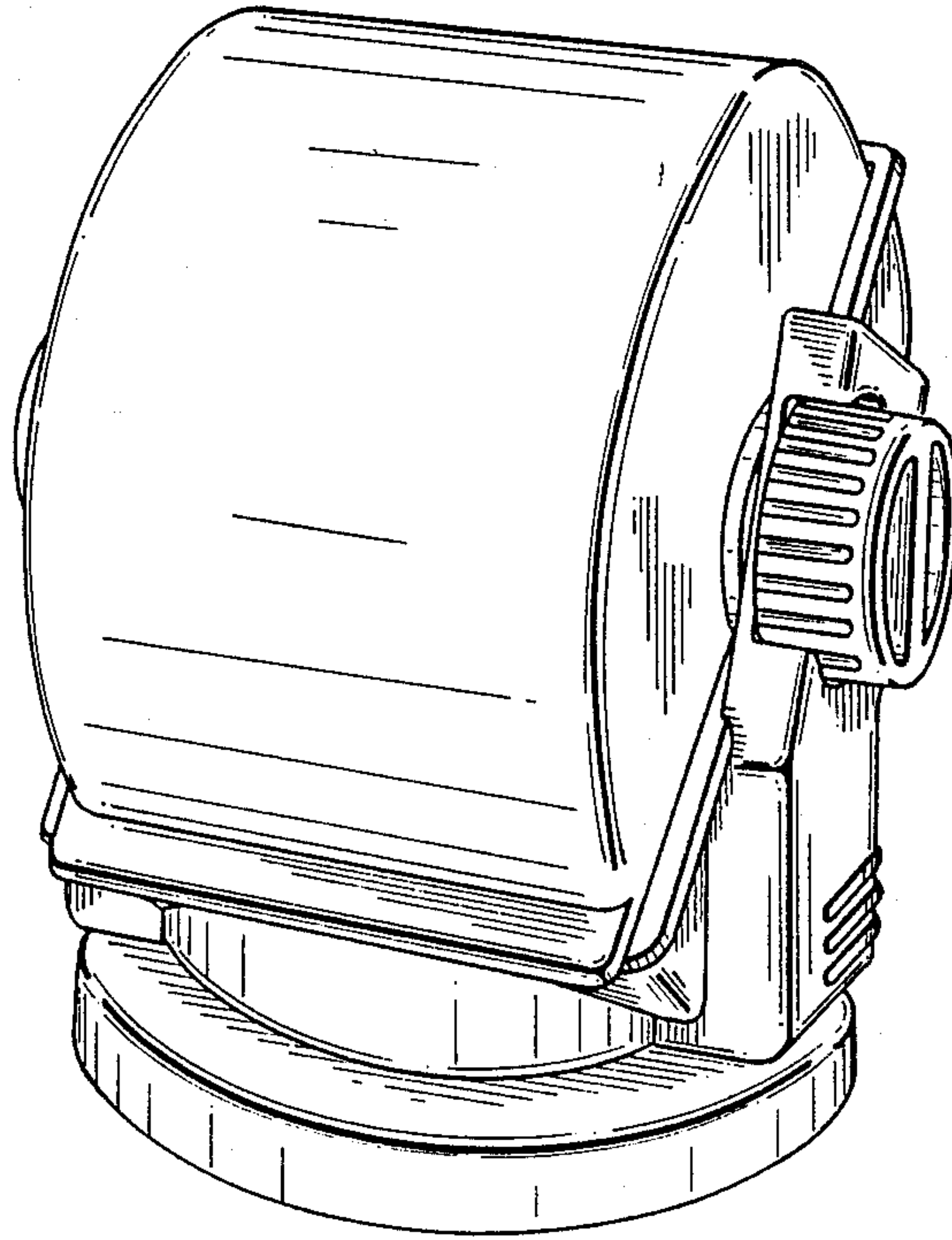


FIG-2

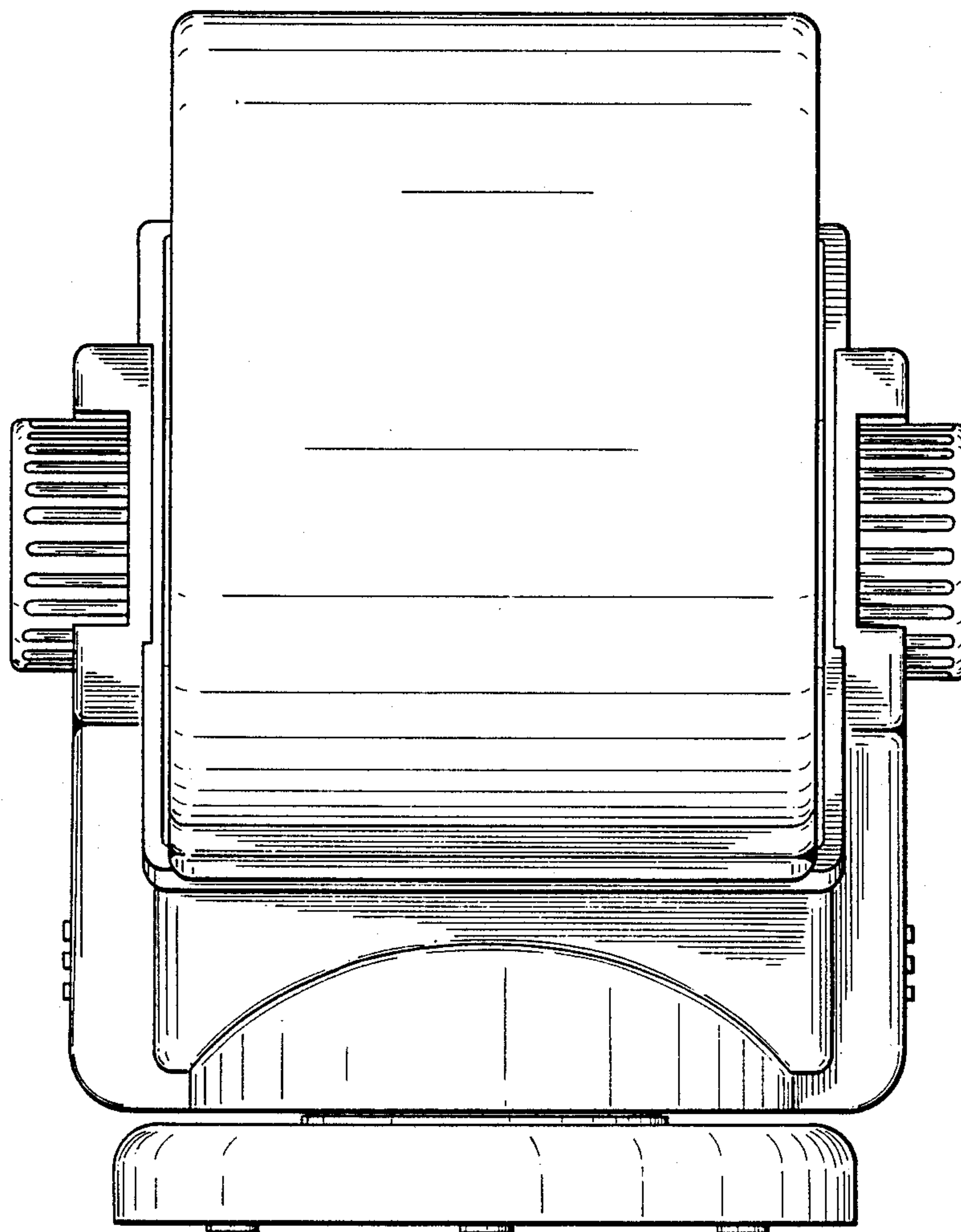


FIG-3

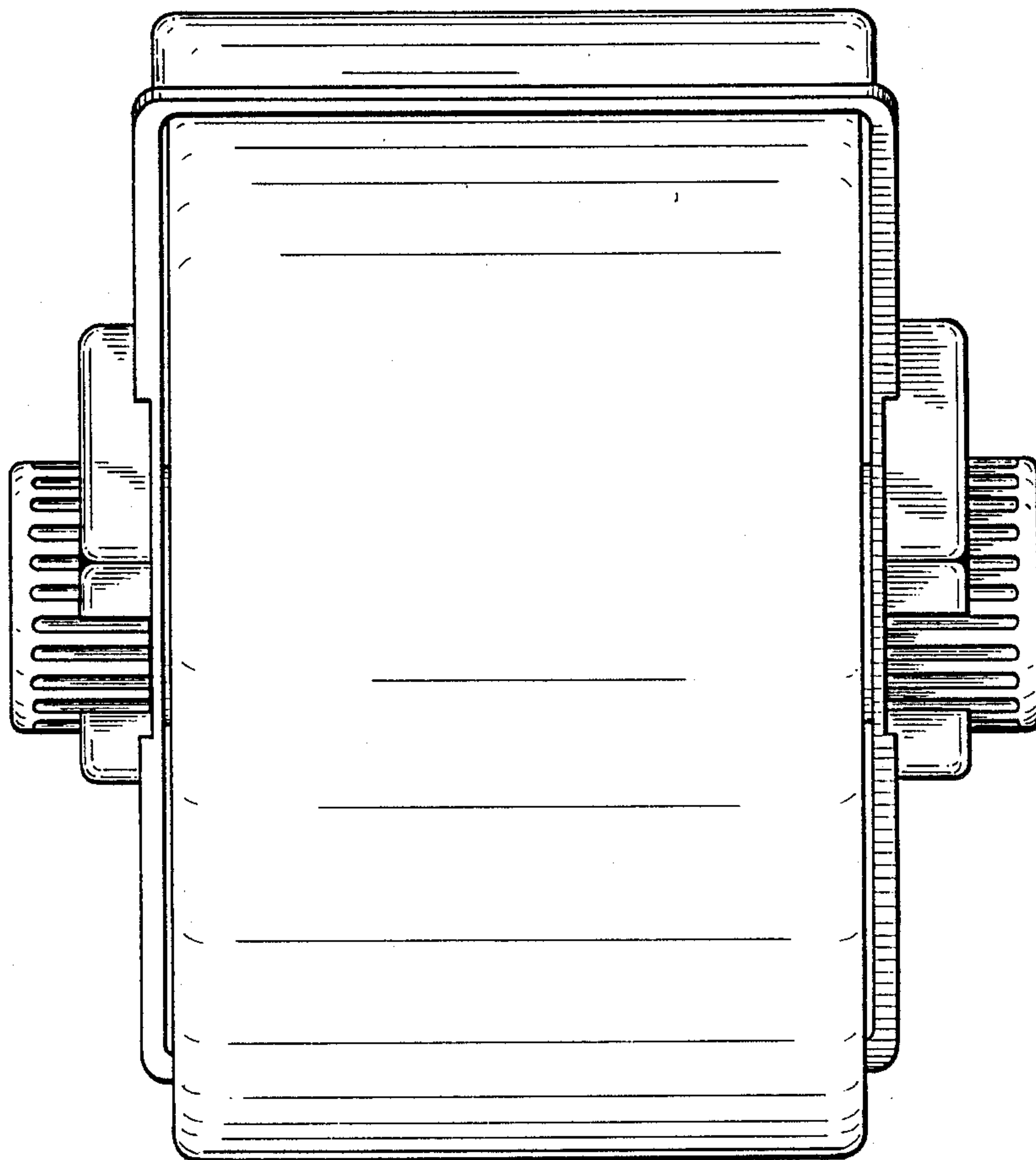


FIG-4

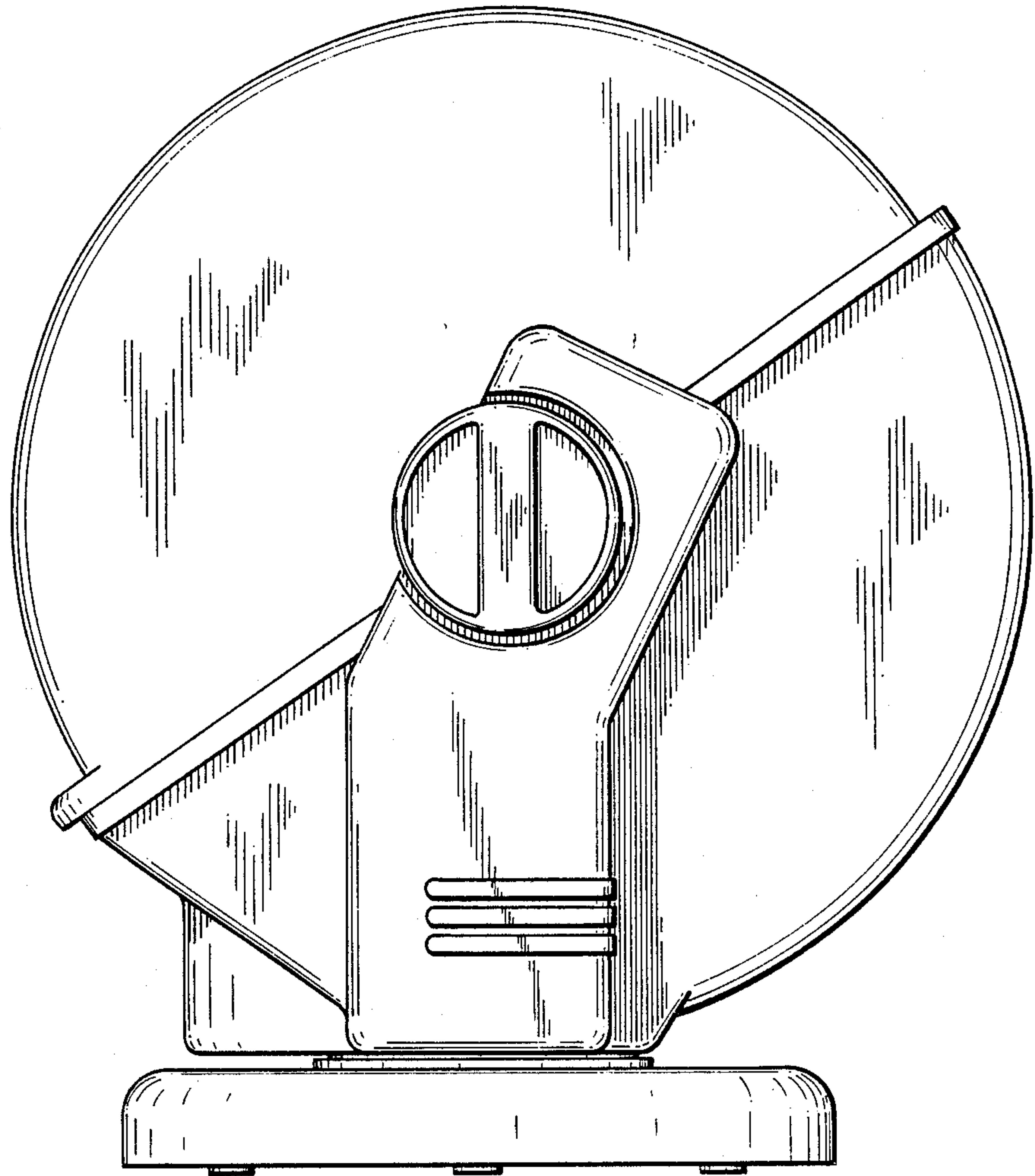


FIG-5

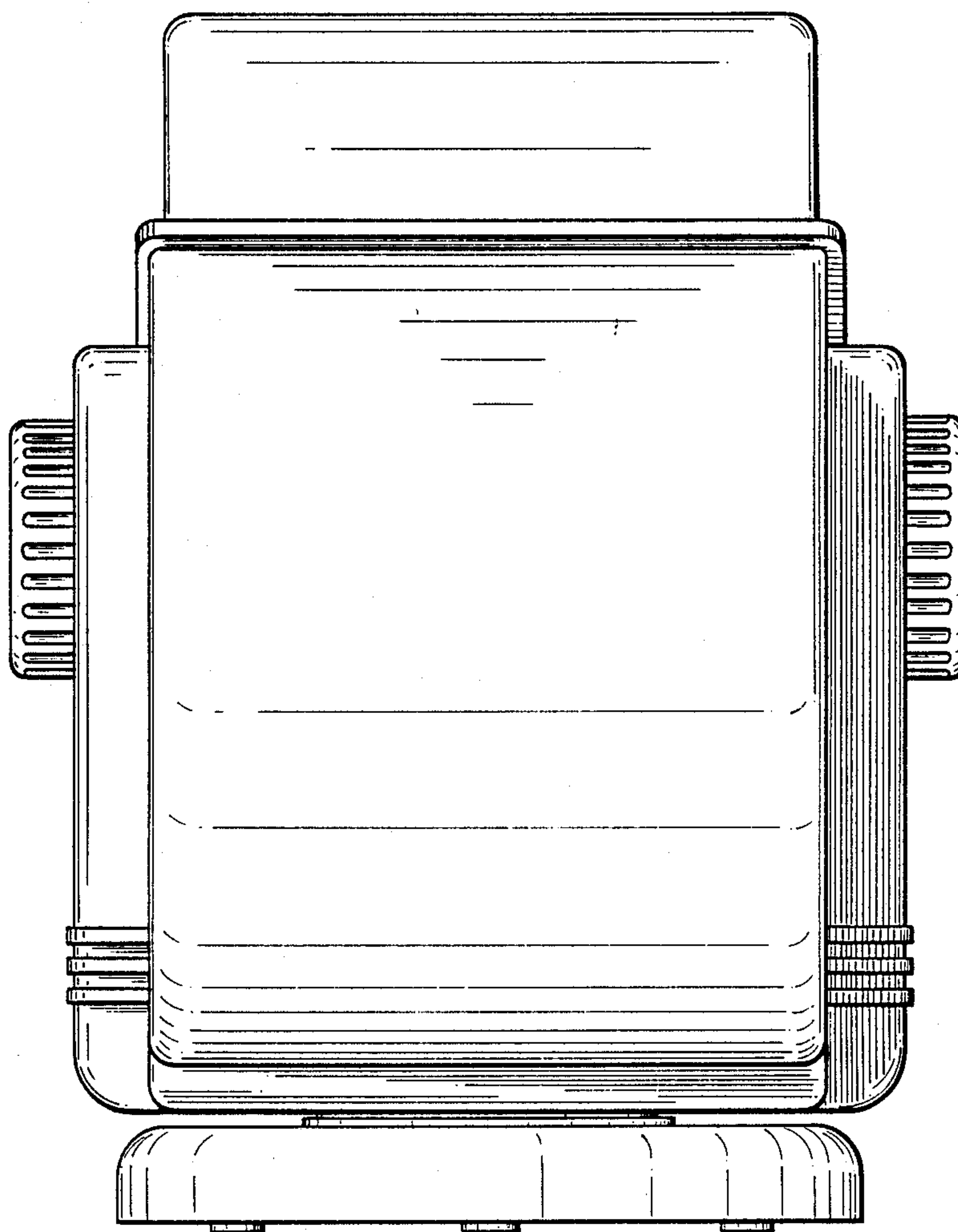




FIG-6

