

[54] SWIVEL ROTARY FILE

4,021,947 5/1977 Shneider 40/379
4,035,938 7/1977 Neilsen 211/58 X

[75] Inventors: John Leszczak, Roselle Park, N.J.;
Robert B. Staubitz, Avon, Conn.

Primary Examiner—Bruce W. Dunkins
Assistant Examiner—Martha Thompson
Attorney, Agent, or Firm—Weingram & Zall

[73] Assignee: Bates Manufacturing Company,
Hackettstown, N.J.

[**] Term: 14 Years

[57] CLAIM

[21] Appl. No.: 5,739

The ornamental design for a swivel rotary file, as shown
and described.

[22] Filed: Jan. 21, 1987

DESCRIPTION

[52] U.S. Cl. D19/76

[58] Field of Search D19/76; 40/371, 377,
40/379; 211/50, 58

FIG. 1 is a front perspective view of a swivel rotary file
showing our new design;
FIG. 2 is a front elevational view on an enlarged scale;
FIG. 3 is a top plan view;
FIG. 4 is a right side elevational view, the opposite side
being a mirror image thereof;
FIG. 5 is a rear elevational view; and
FIG. 6 is a bottom plan view thereof.

[56] References Cited

U.S. PATENT DOCUMENTS

- D. 206,697 1/1967 Erickson et al. D19/76
- D. 231,494 4/1974 Mandala D19/76

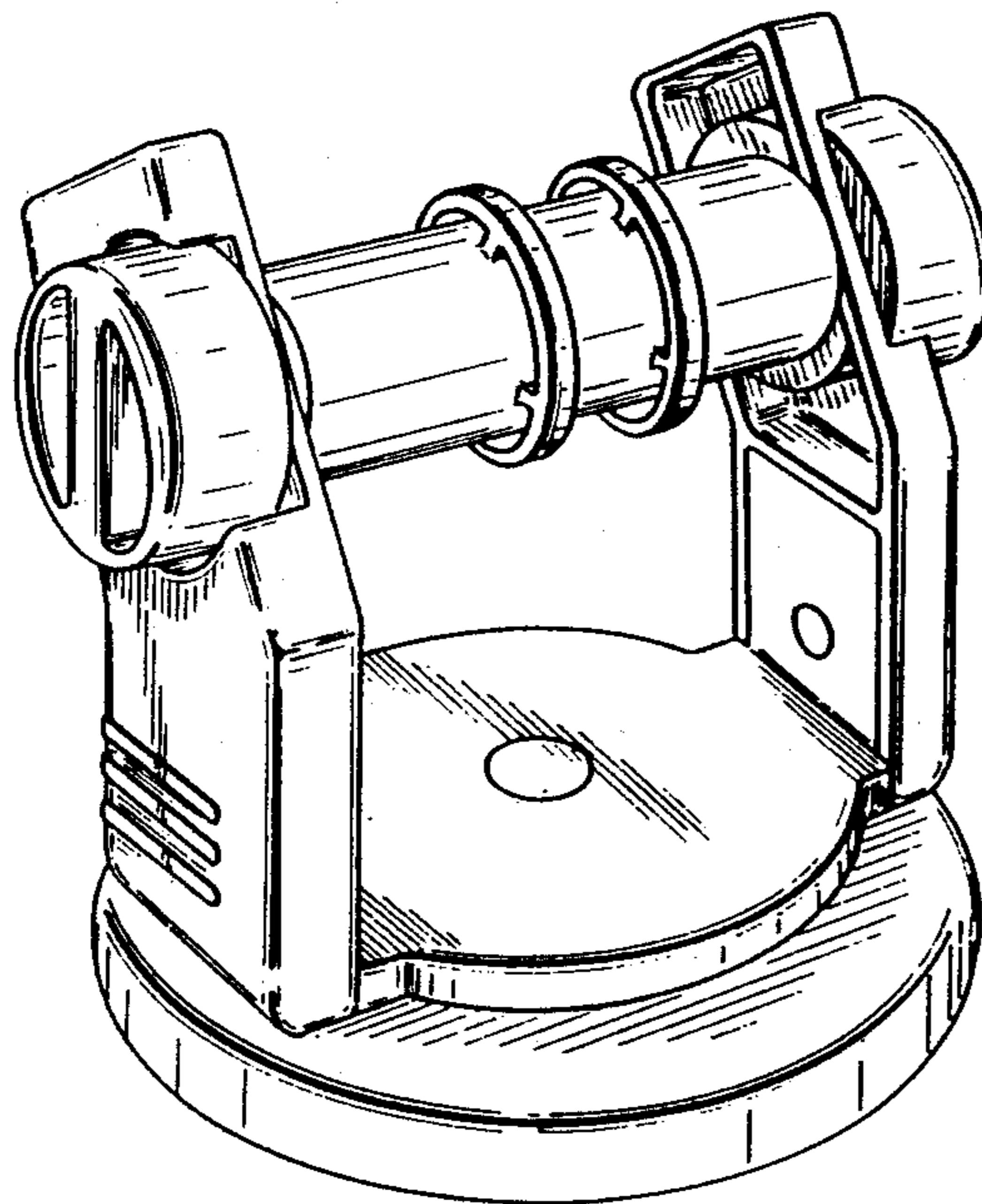


FIG-1

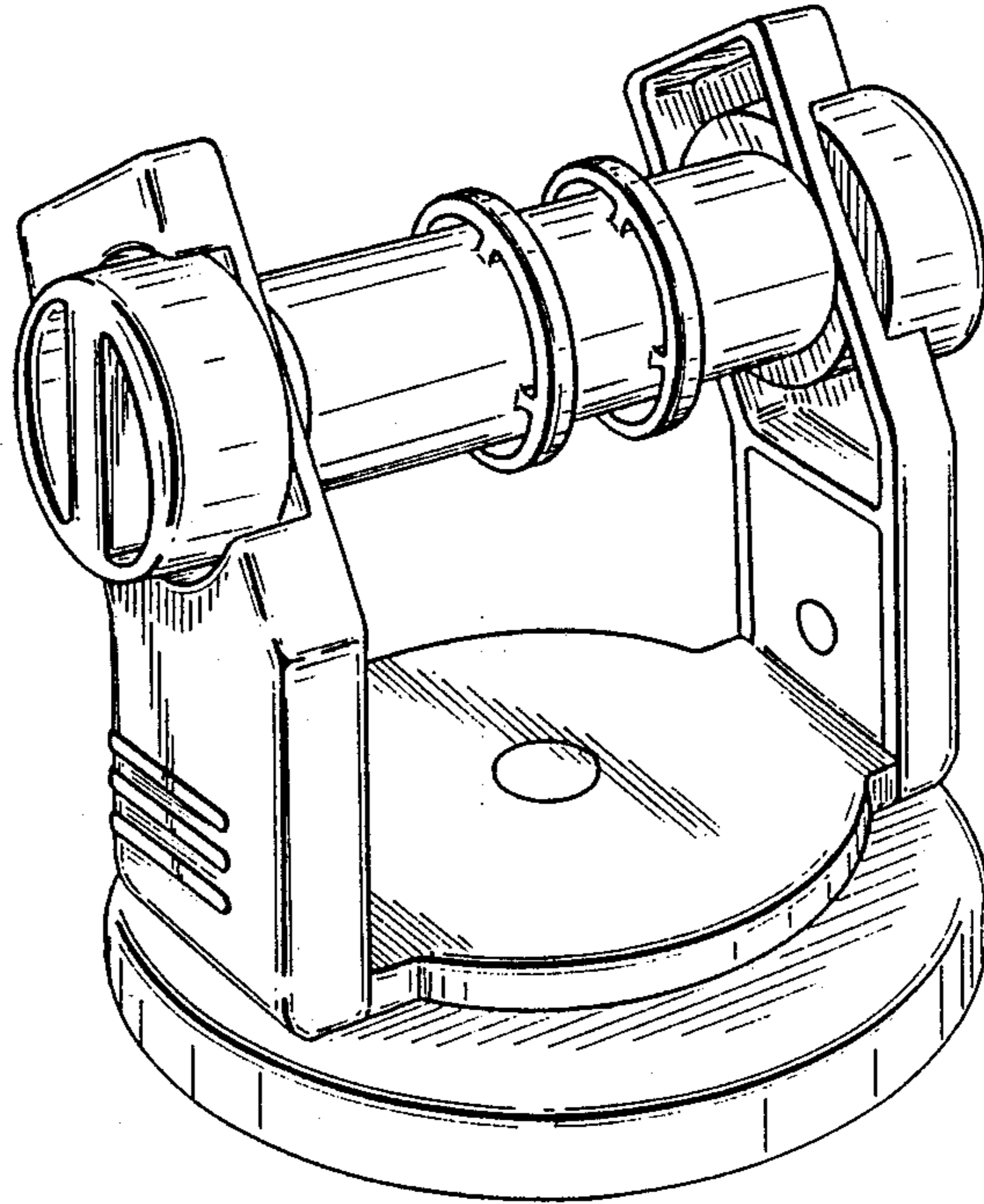


FIG-2

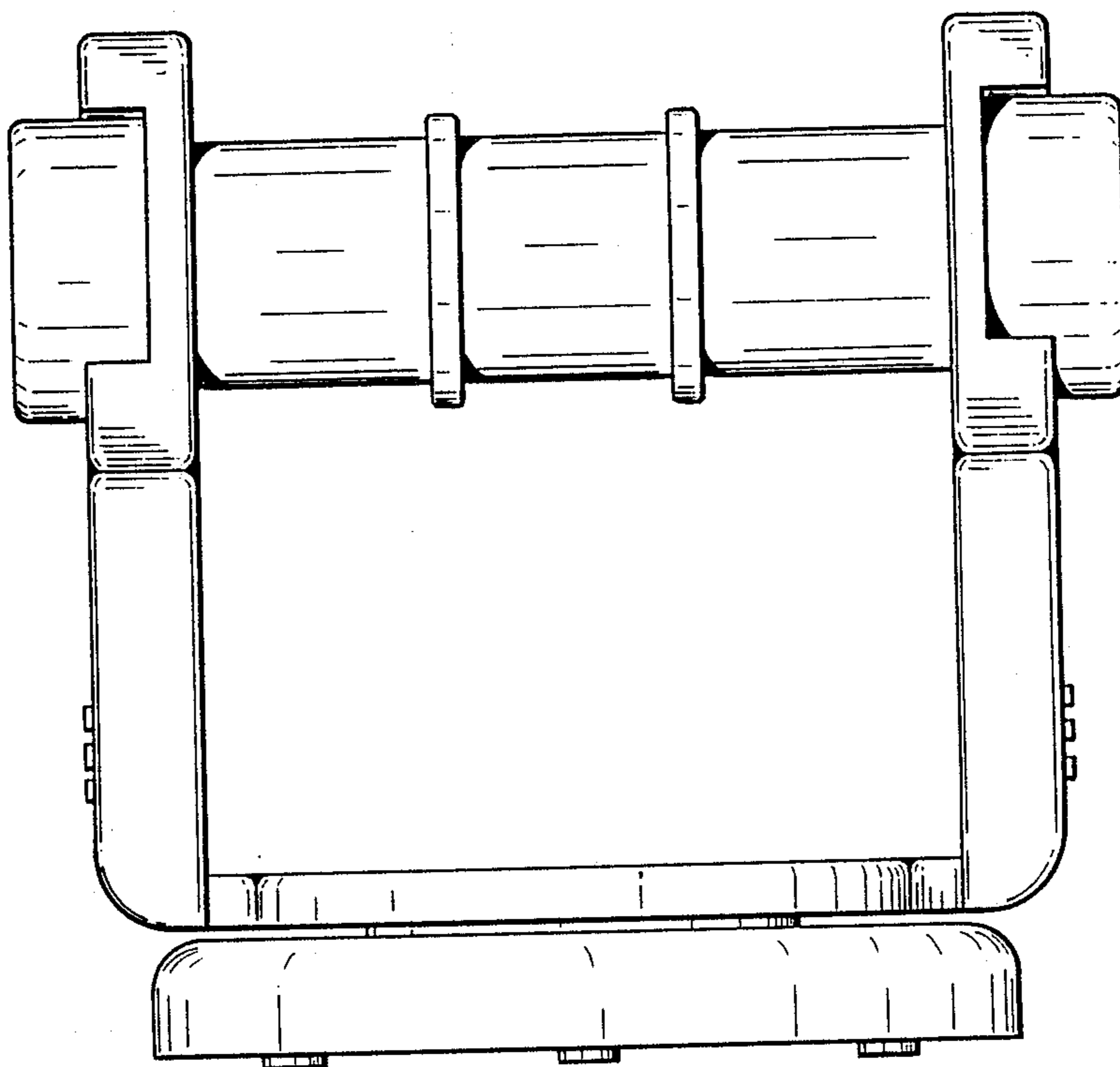


FIG-3

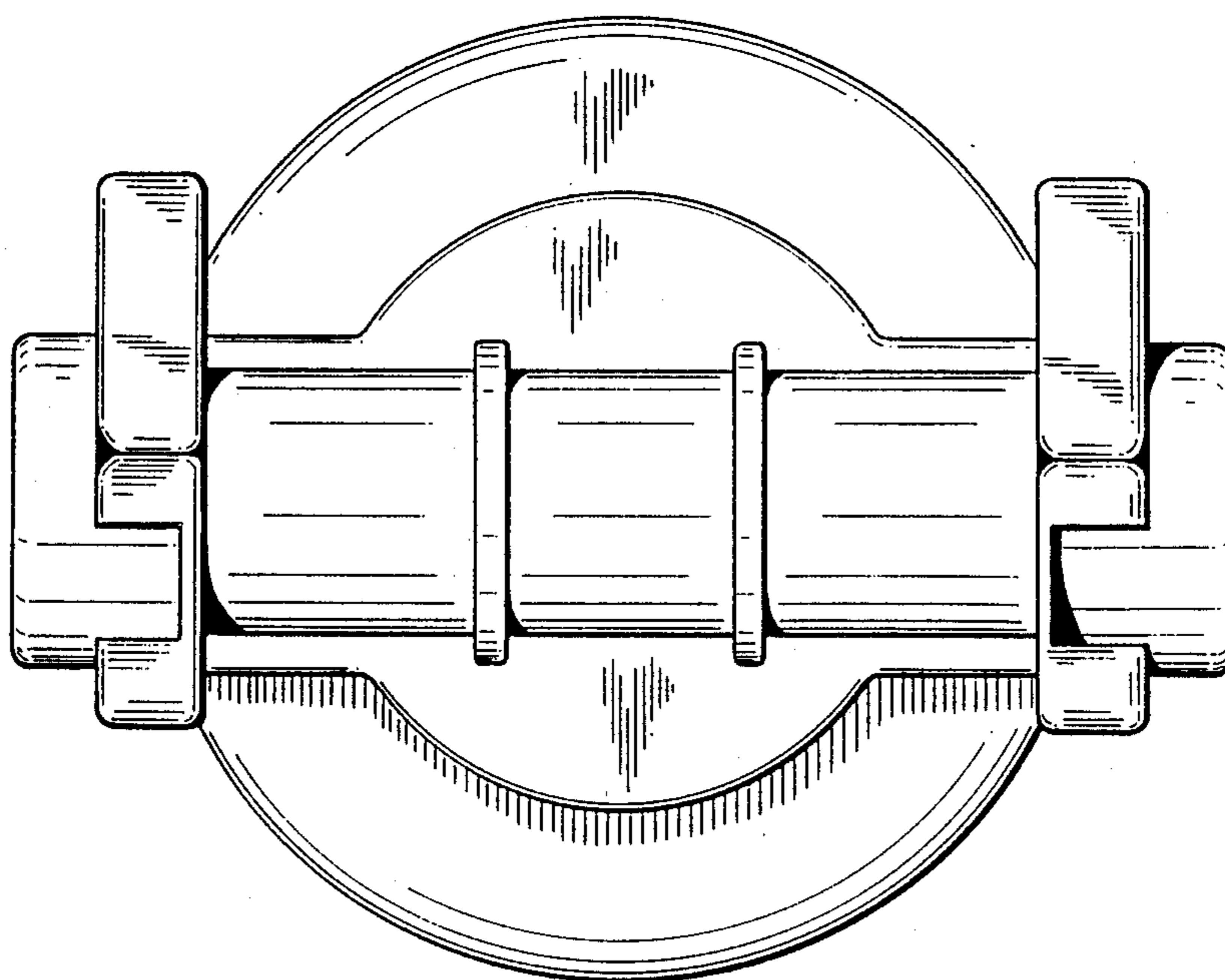


FIG-4

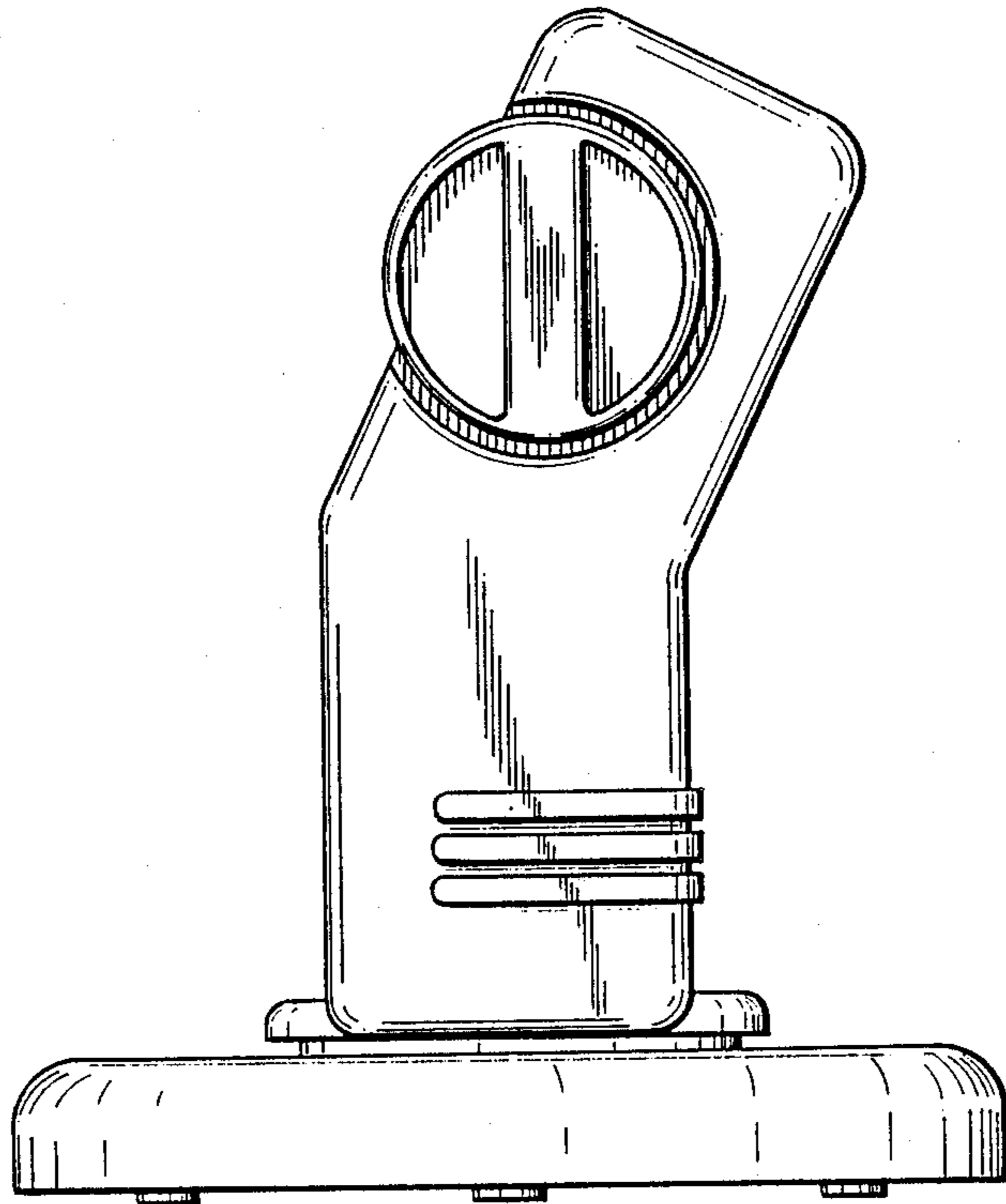


FIG-5

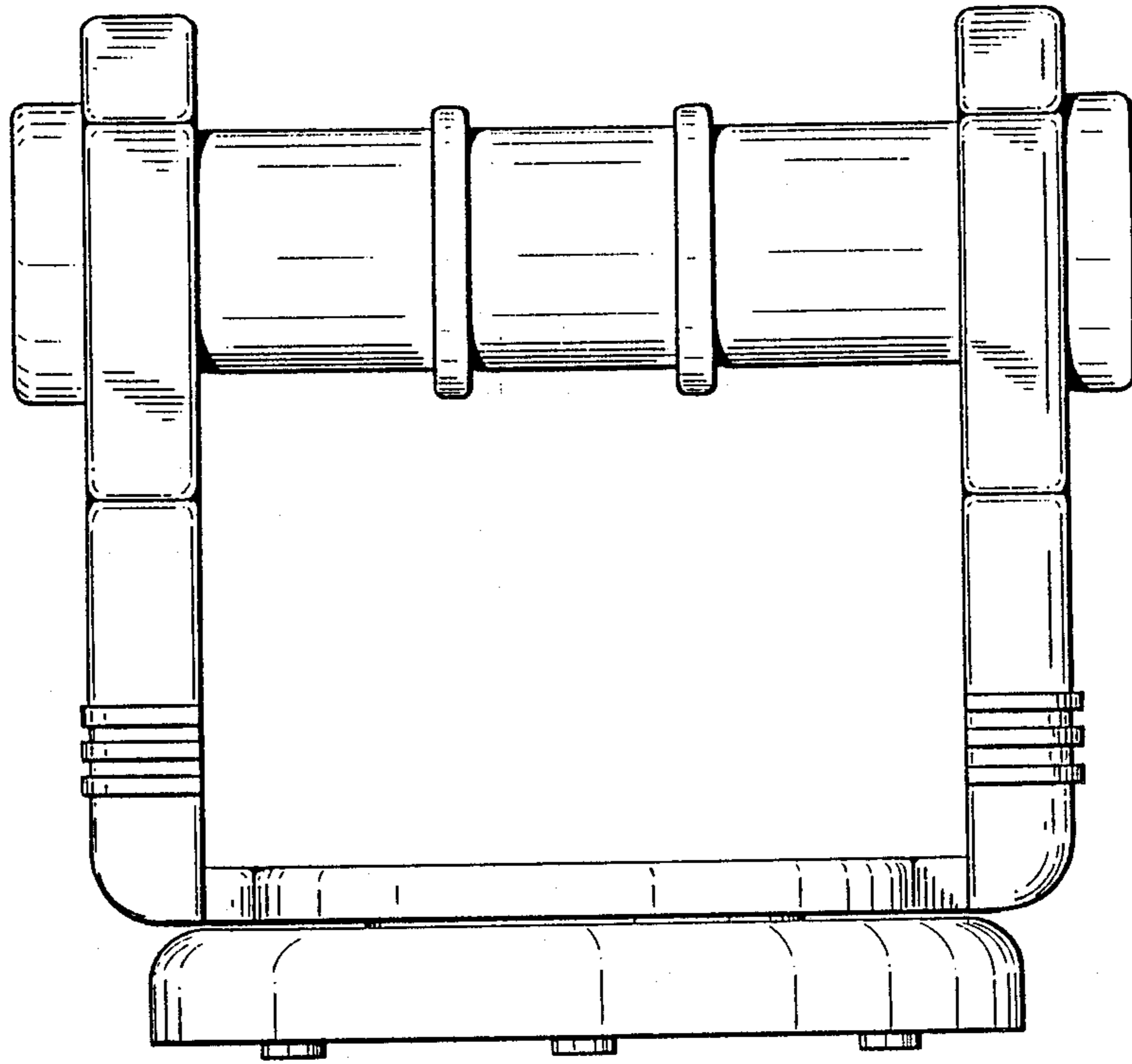


FIG-6

