

[54] PLURAL-TOOL UNIT FOR USE BY AN ARTIST

[76] Inventors: Charles W. Lehman, 608 Hawkeye La.; Michael Sanders, 504 W. Wilson St., both of Kentland, Ind. 47951

[**] Term: 14 Years

[21] Appl. No.: 916,853

[22] Filed: Oct. 8, 1986

[52] U.S. Cl. D19/36; D19/35

[58] Field of Search D19/35, 36, 41; D21/206; 401/28, 34, 35, 29; 33/578, 41.4

[56] References Cited

U.S. PATENT DOCUMENTS

D. 254,677	4/1980	Burrows	D19/36
D. 273,395	4/1984	Wilkinson	D19/36
D. 290,470	6/1987	Green	D19/35
417,231	12/1889	Cole	33/41.4
2,420,365	5/1947	Fischer	33/578
2,662,290	12/1953	Haister	33/41.4
3,164,906	1/1965	Andaloro	33/41.4
4,532,718	8/1985	Copeland	33/578

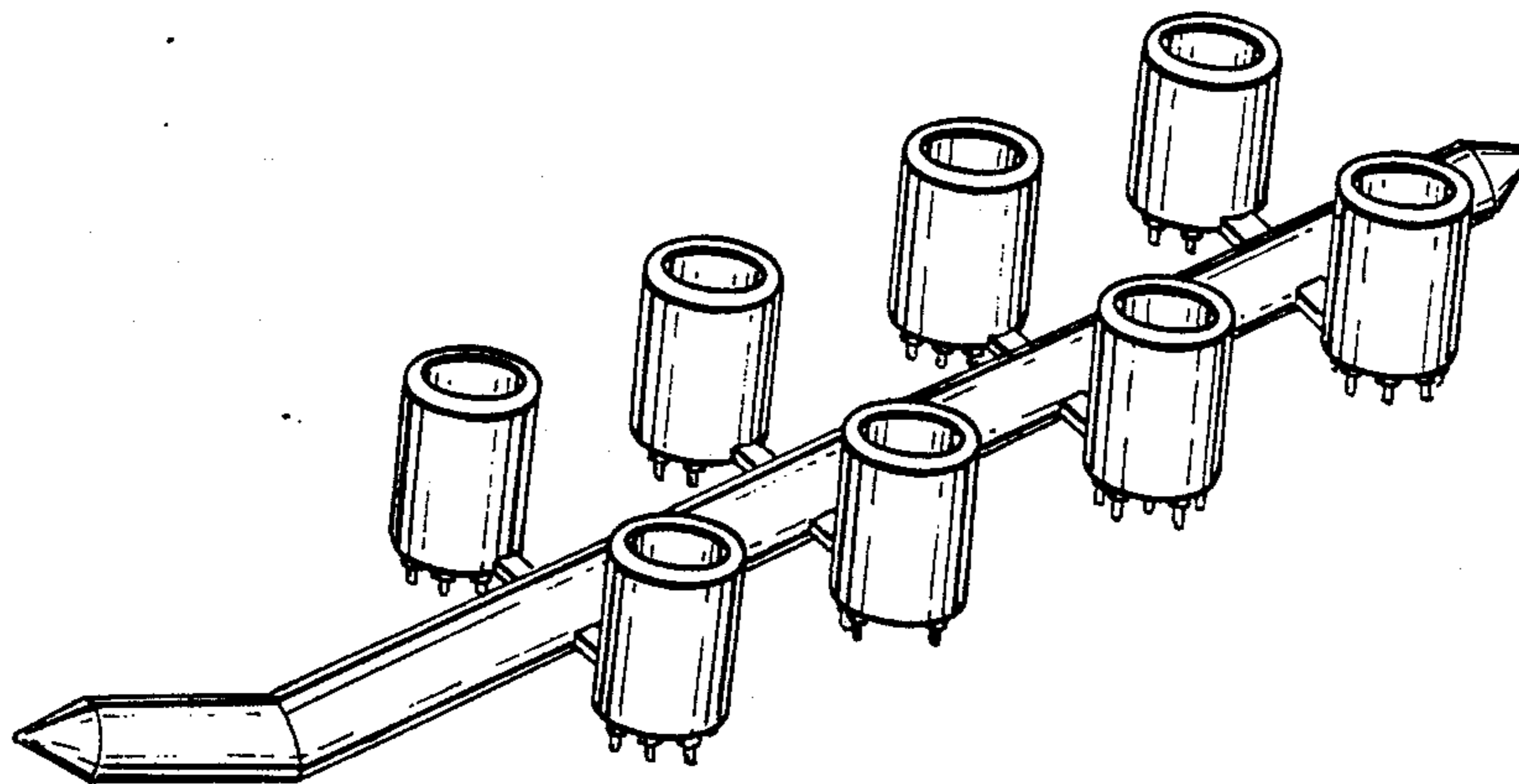
Primary Examiner—Bruce W. Dunkins
Assistant Examiner—Martha Thompson
Attorney, Agent, or Firm—Richard G. Kinney

[57] CLAIM

The ornamental design for a plural-tool unit for use by an artist, as shown and described.

DESCRIPTION

FIG. 1 is a perspective view of a plural-tool unit for use by an artist showing our new design;
FIG. 2 is a top plan view;
FIG. 3 is a side elevational view;
FIG. 4 is a bottom plan view;
FIG. 5 is an end view taken from the right of FIG. 3; and
FIG. 6 is an end view taken from the left of FIG. 3;
FIG. 7 is a perspective view of a second embodiment of my new design;
FIG. 8 is a top plan view;
FIG. 9 is a side elevational view;
FIG. 10 is a bottom plan view;
FIG. 11 is an end elevational view taken from the right of FIG. 9; and
FIG. 12 is an end elevational view taken from the left of FIG. 9.



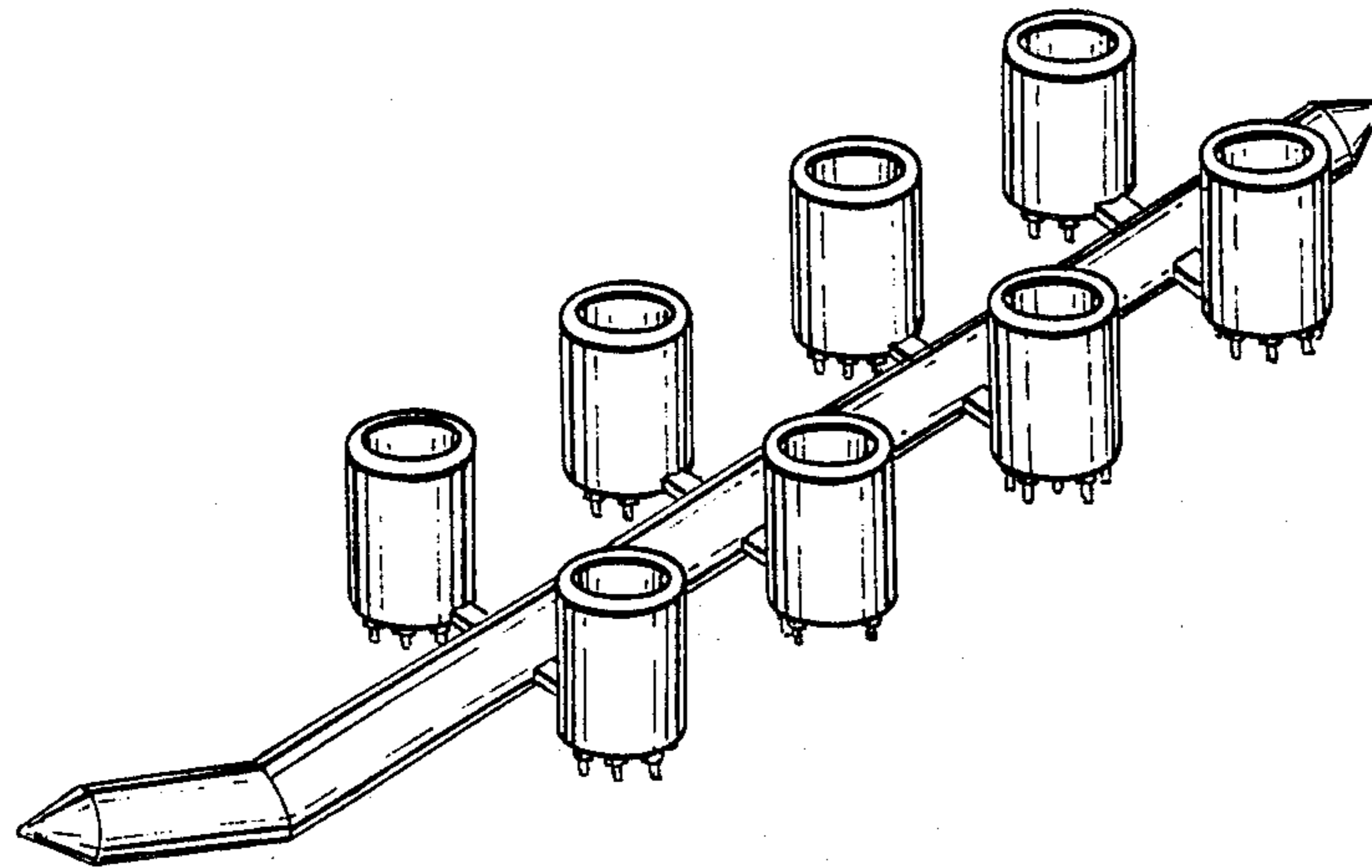


Fig. 1

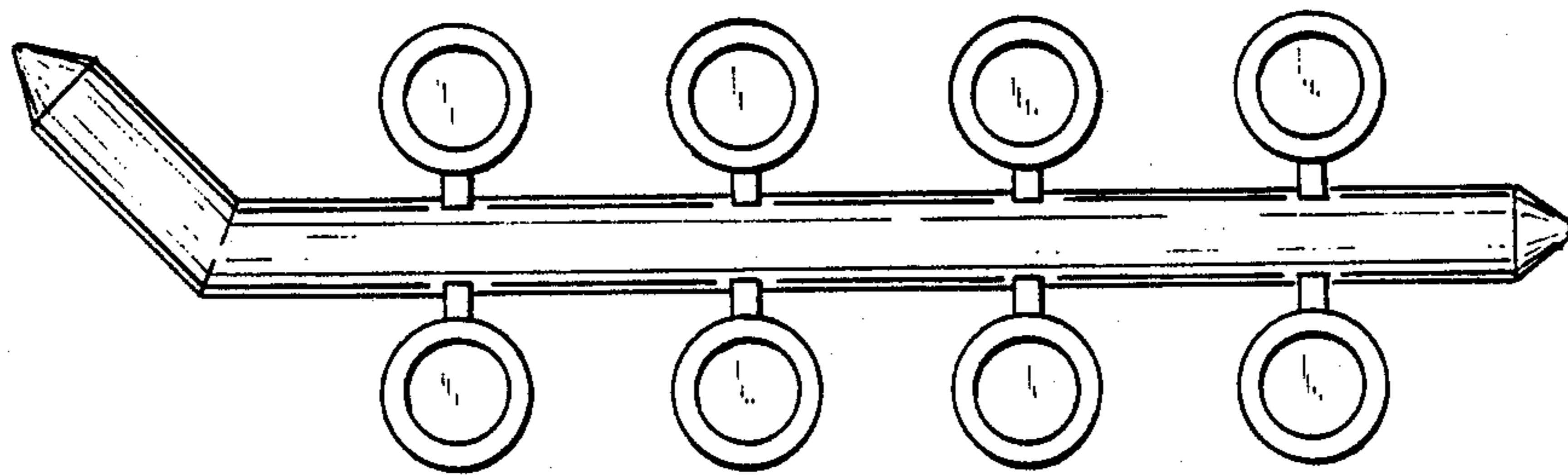


Fig. 2

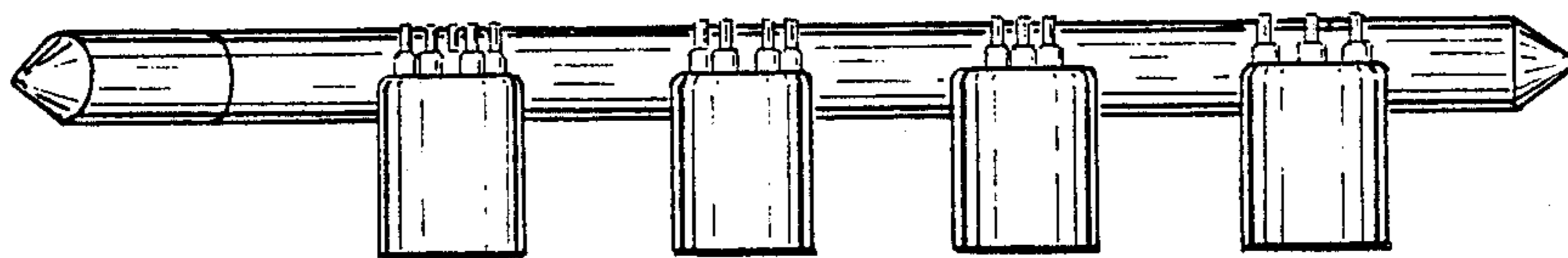


Fig. 3

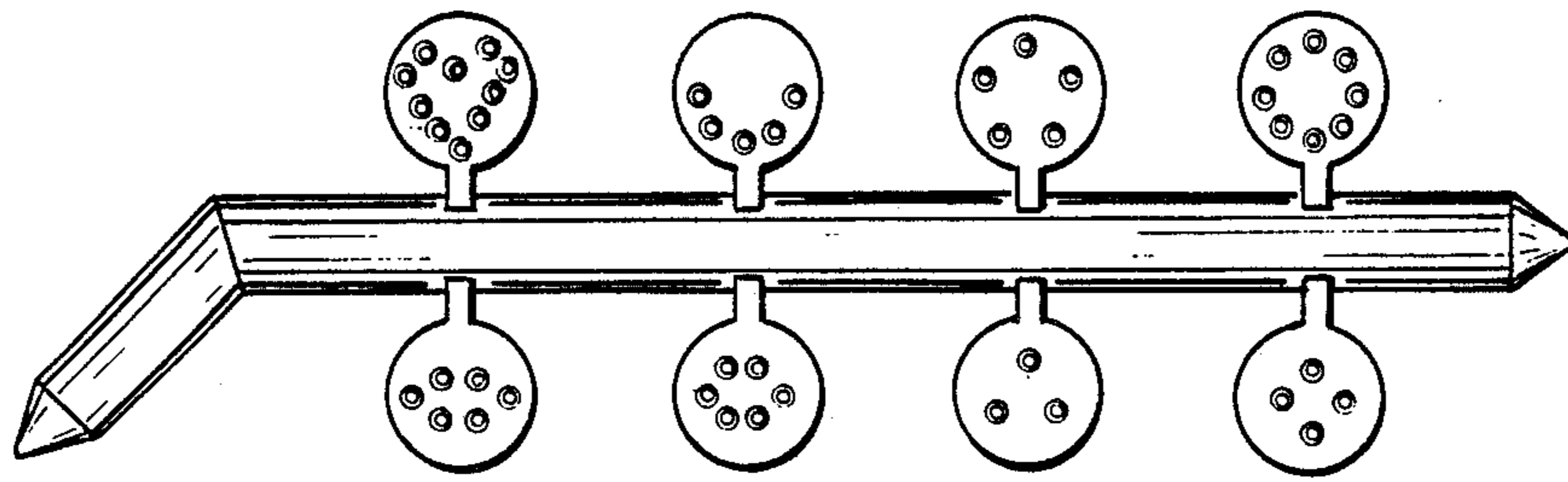


Fig. 4

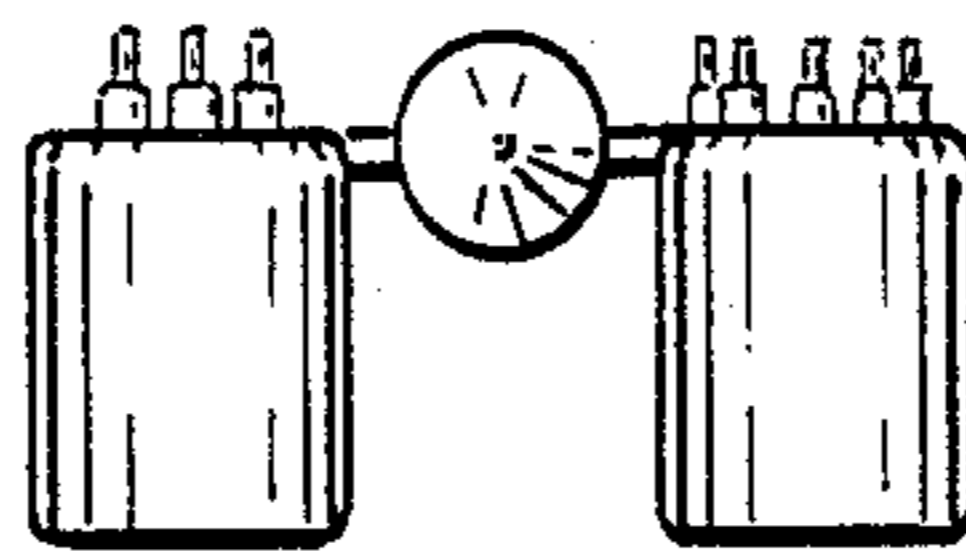


Fig. 5

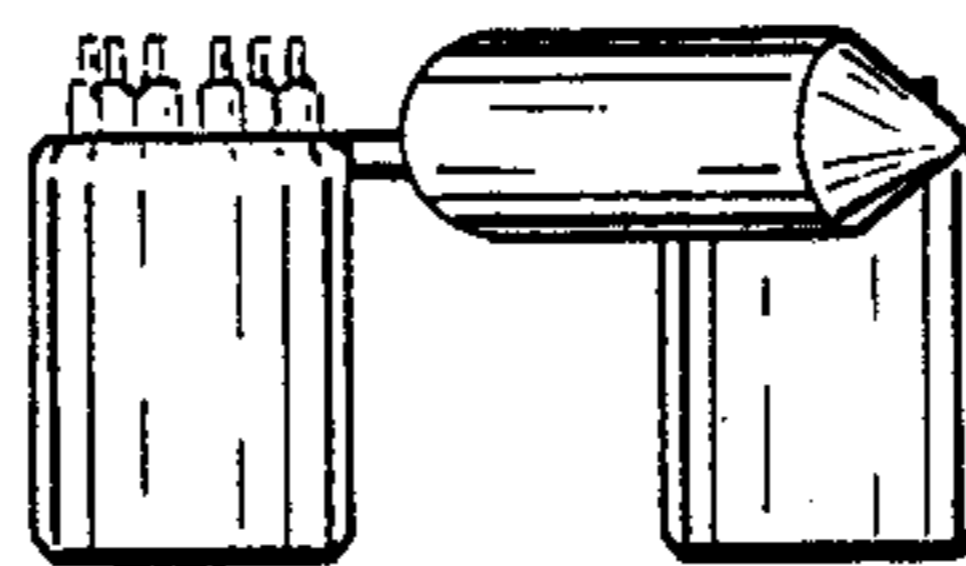


Fig. 6

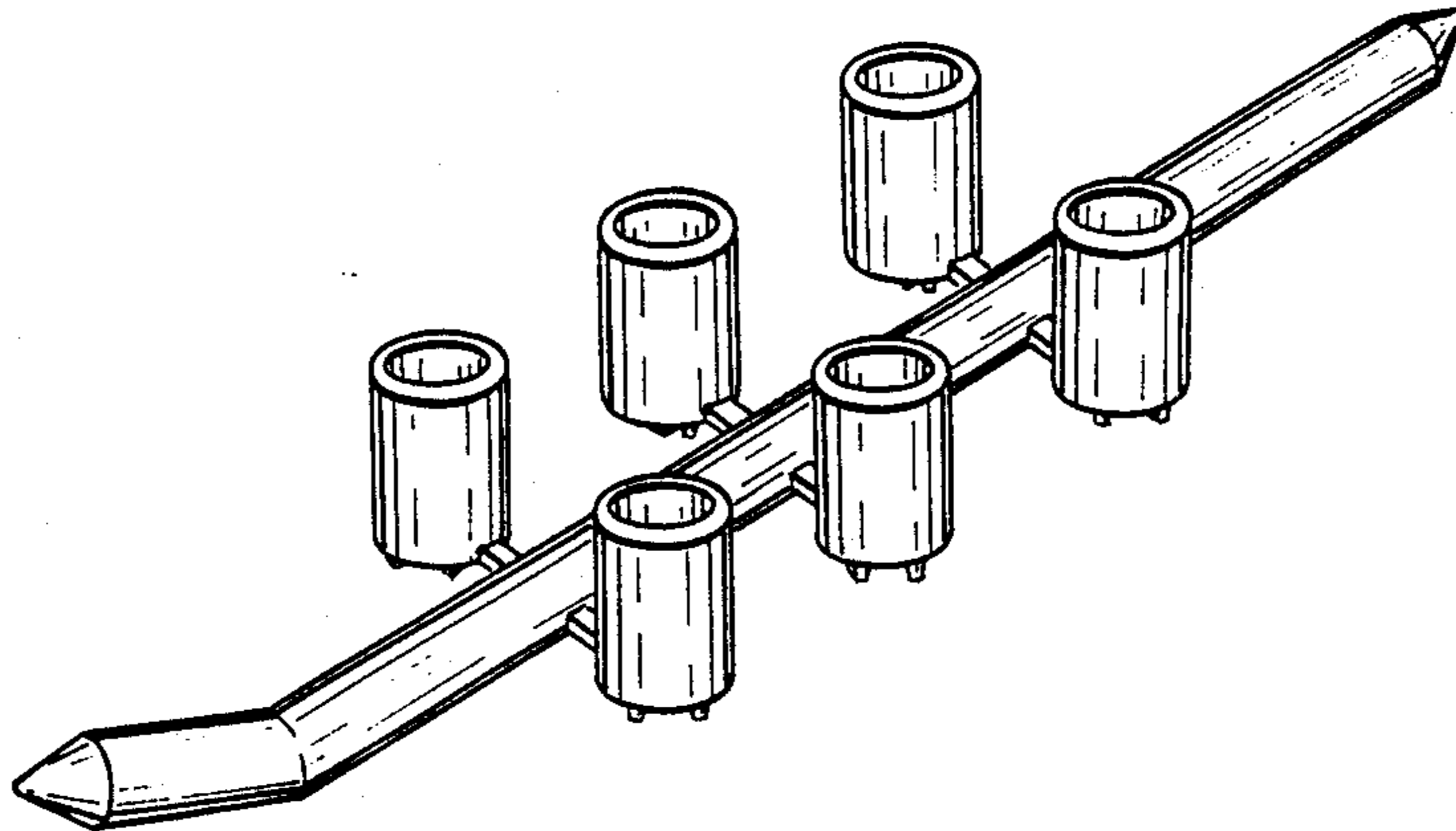


Fig. 7

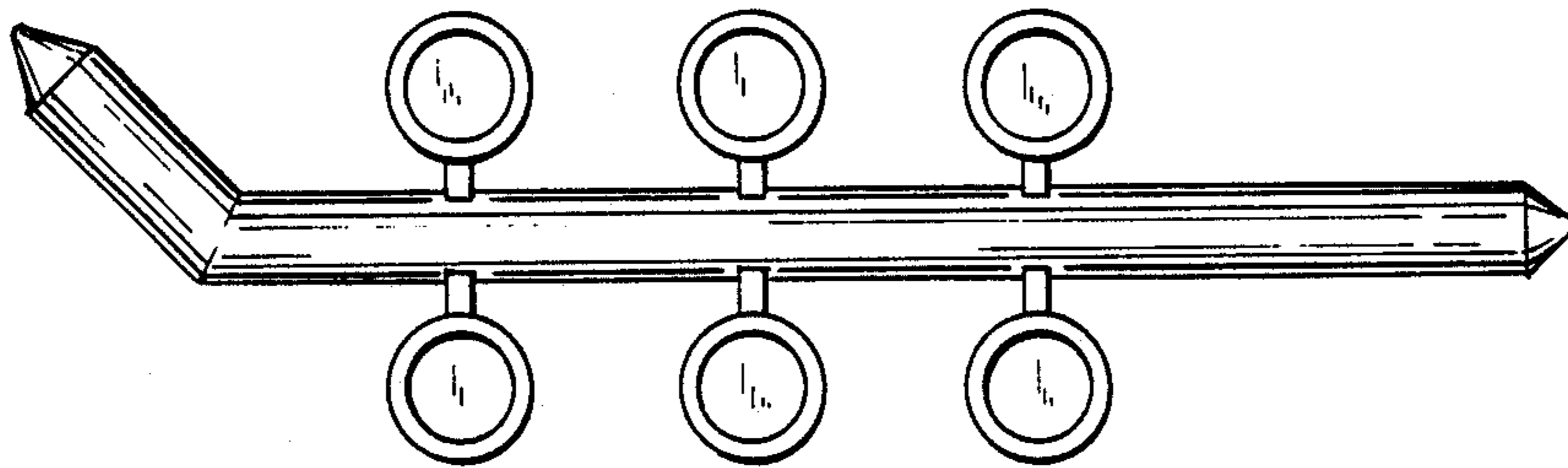


Fig. 8

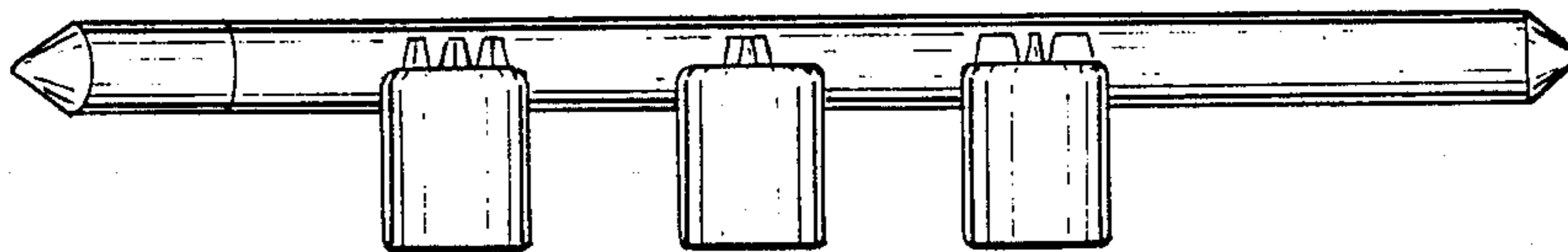


Fig. 9

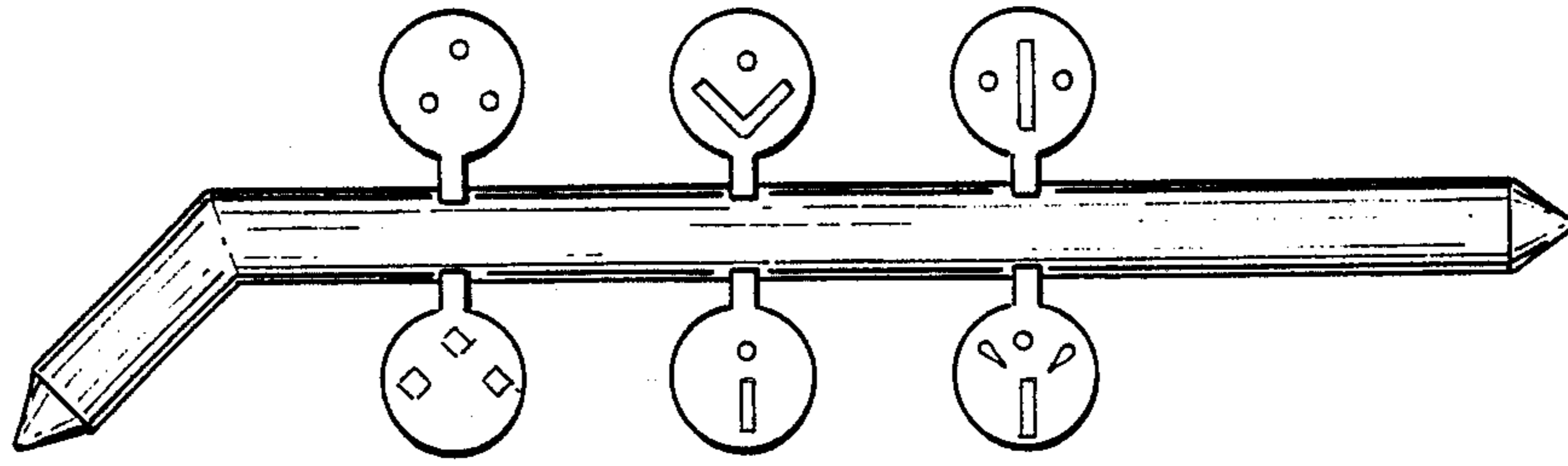


Fig. 10

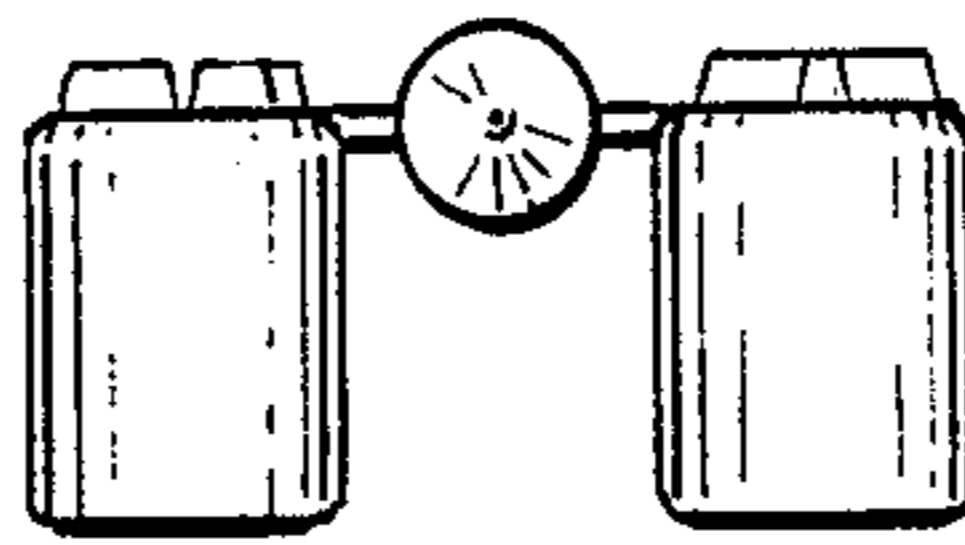


Fig. 11

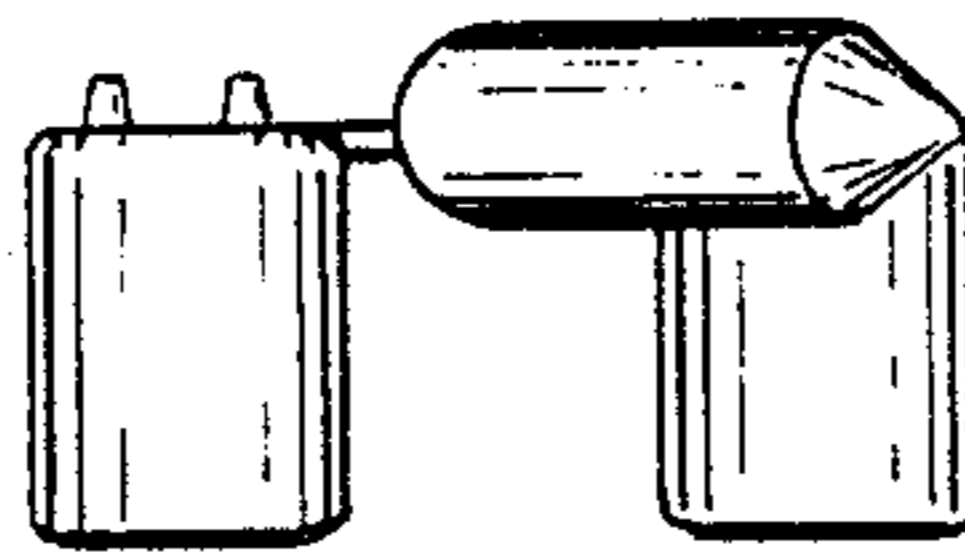


Fig. 12