

[54] **STRING TRIMMER ATTACHMENT FOR A LAWNMOWER**

[76] **Inventor: Peter V. Piorkowski, Box 402, Sorrento, Fla. 32776**

[**] **Term: 14 Years**

[21] **Appl. No.: 126,941**

[22] **Filed: Nov. 30, 1987**

[52] **U.S. Cl. D15/16**

[58] **Field of Search D15/10, 14, 16-18; 56/16.7, 16.8, 16.9, 17.2, 237, 249, 256, 320.1-320.2; 30/276; 172/13, 15, 16, 17**

[56] **References Cited**

U.S. PATENT DOCUMENTS

4,250,623	2/1981	Pittinger et al.	56/12.7
4,389,836	6/1983	Lowry et al.	56/12.7
4,630,371	12/1986	Graham	56/12.7
4,631,828	12/1986	Burnett	5/16

4,756,147 7/1988 Savell 56/16.7

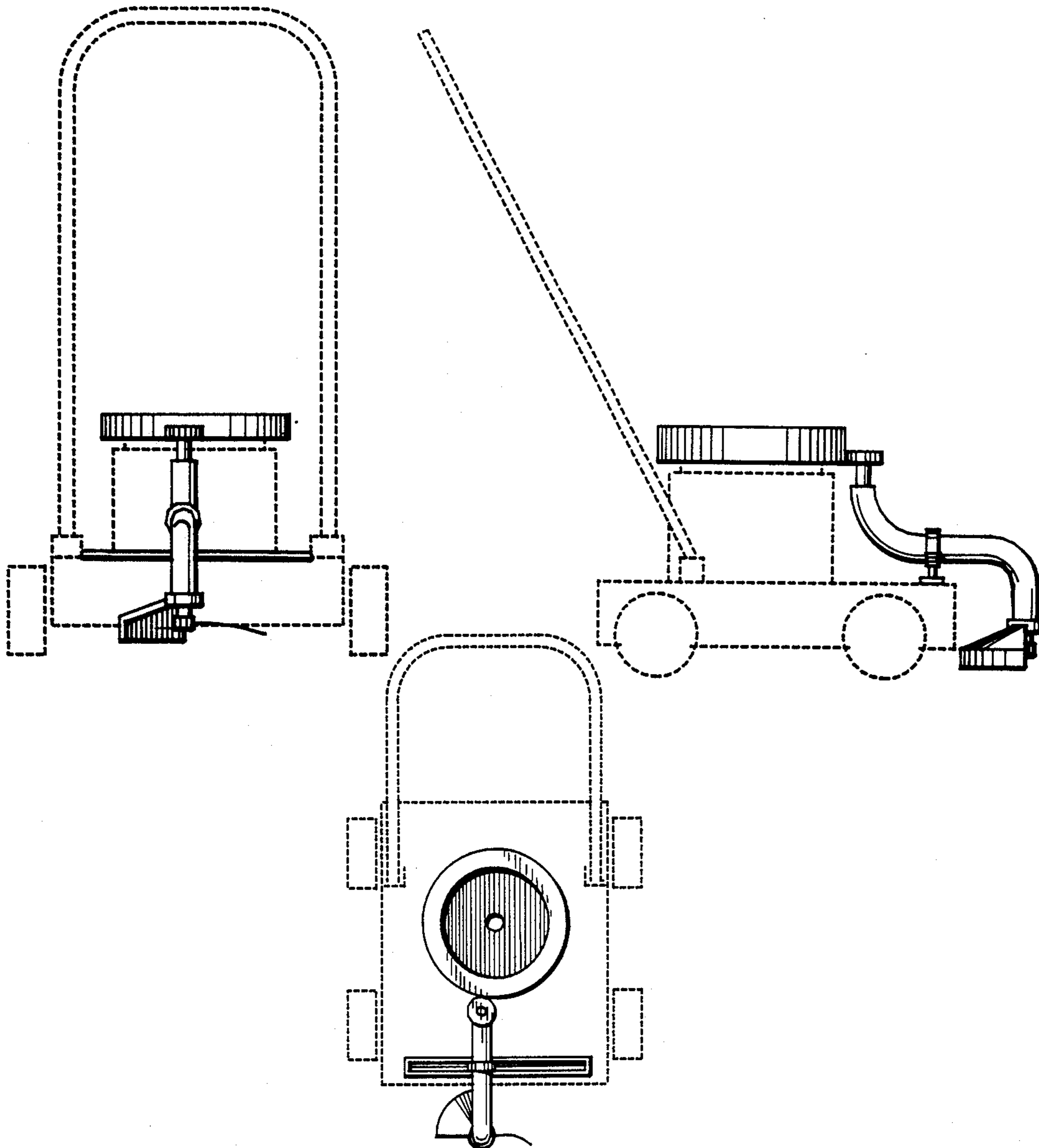
Primary Examiner—Bruce W. Dunkins
Assistant Examiner—Ruth Takemoto
Attorney, Agent, or Firm—Jerry T. Kearns

[57] **CLAIM**

The ornamental design for a string trimmer attachment for a lawnmower, as shown and described.

DESCRIPTION

FIG. 1 is a front elevational view of a string trimmer attachment for a lawnmower showing my new design; FIG. 2 is a rear elevational view thereof; FIG. 3 is a left side elevational view thereof; FIG. 4 is a right side elevational view thereof; FIG. 5 is a top plan view thereof; and, FIG. 6 is a bottom plan view thereof. The lawnmower housing shown in broken lines in FIGS. 1-6 is for illustrative purposes only and forms no part of the claimed design.



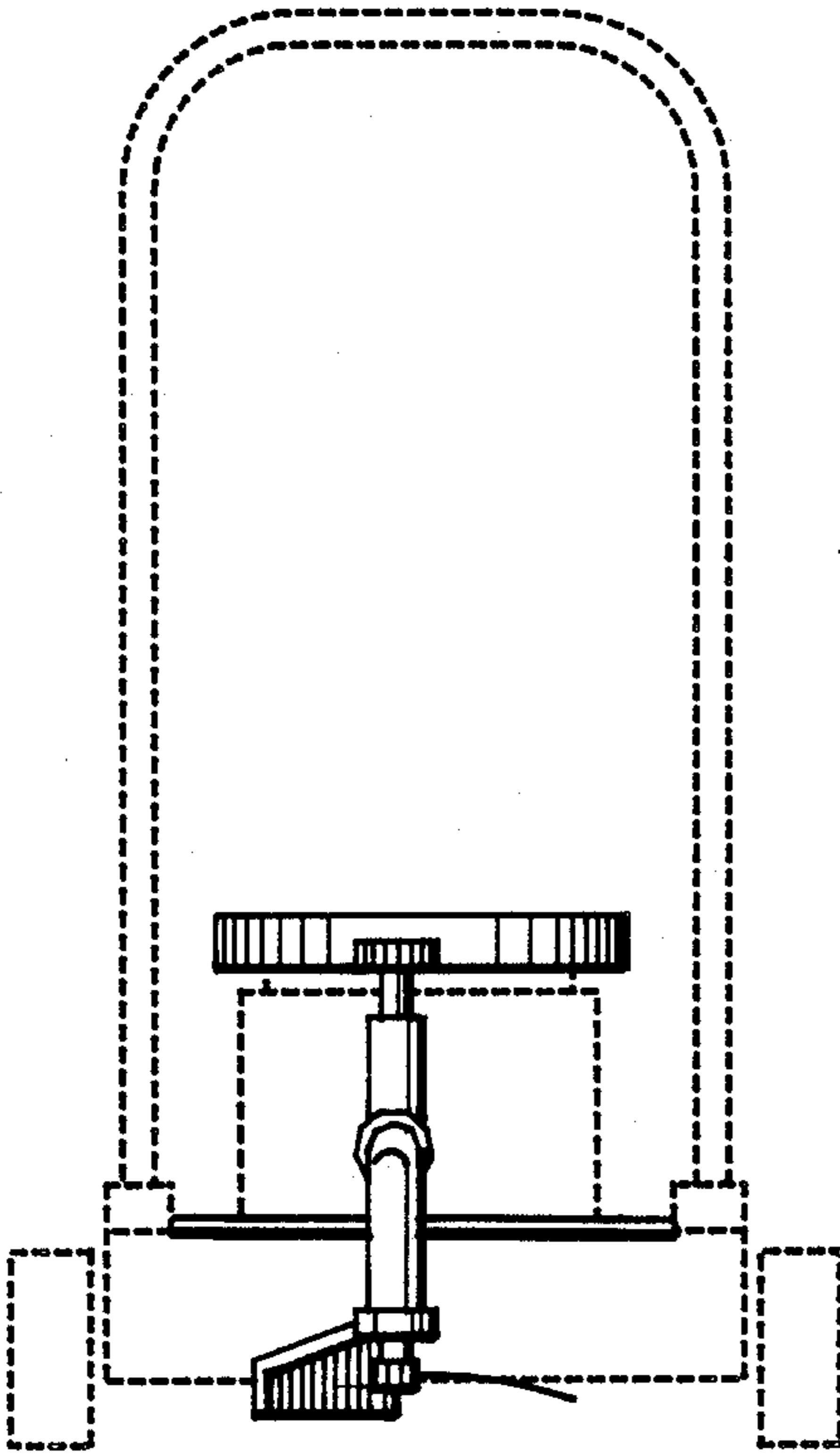


Fig. 1

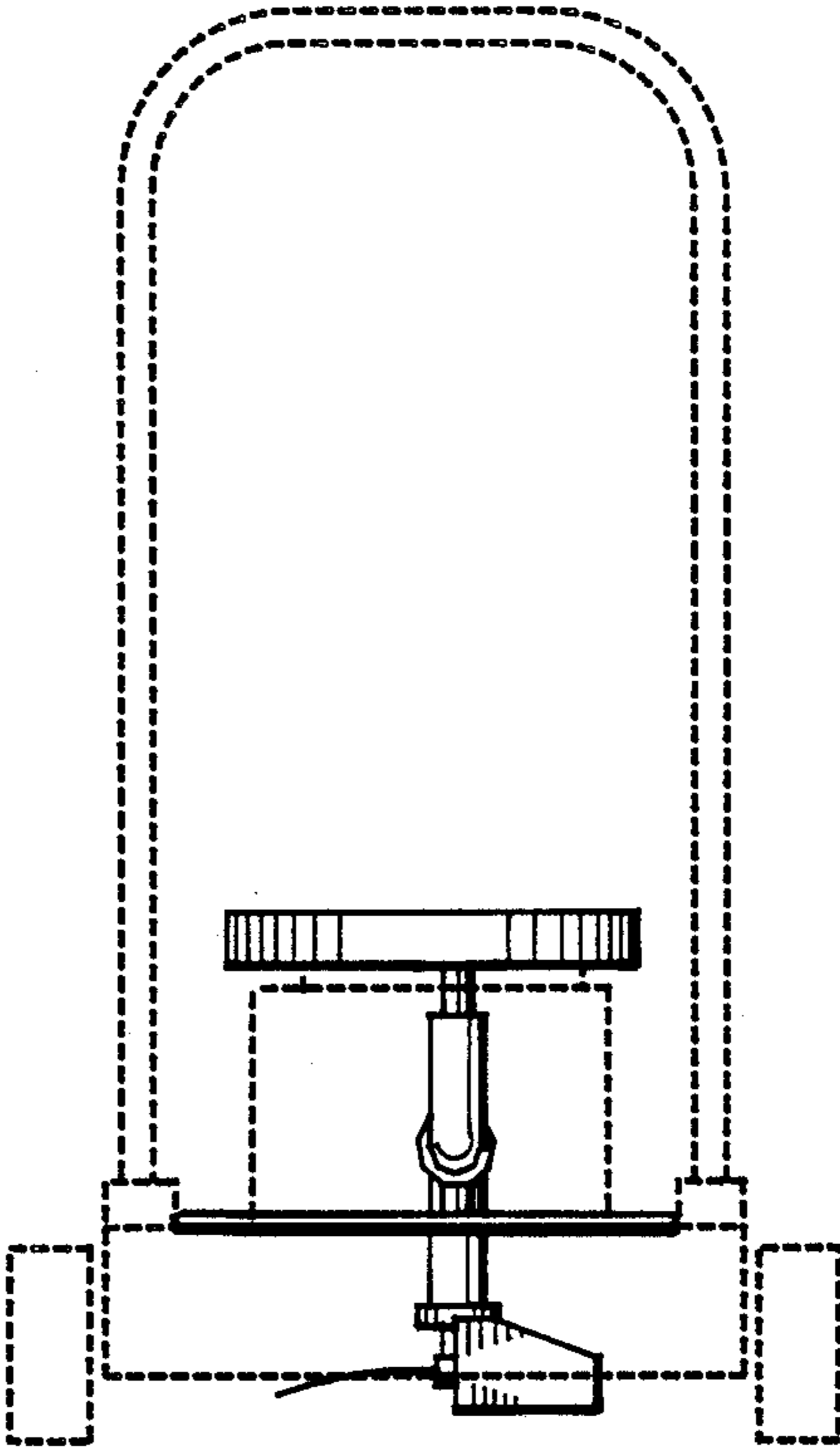


Fig. 2

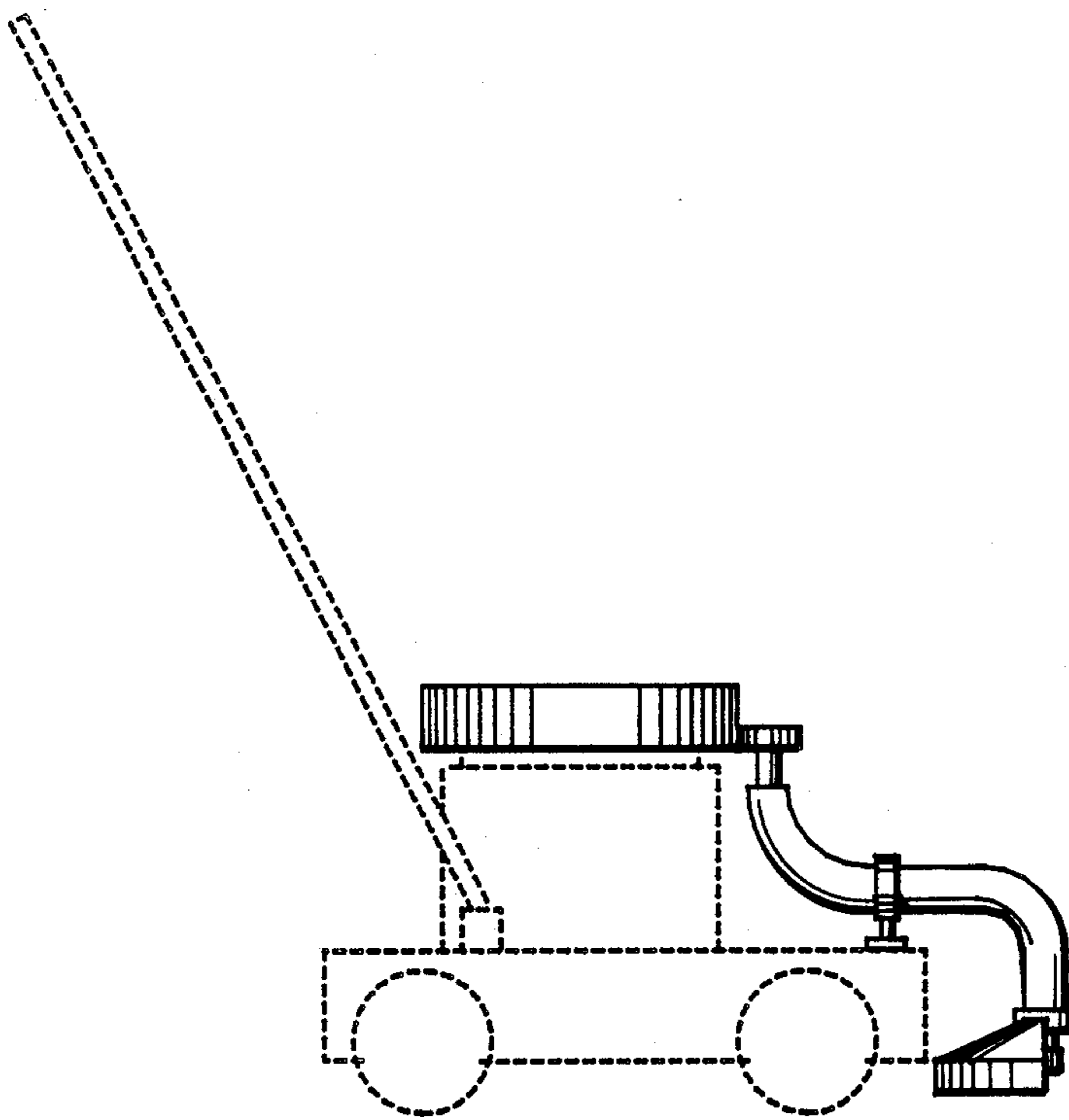
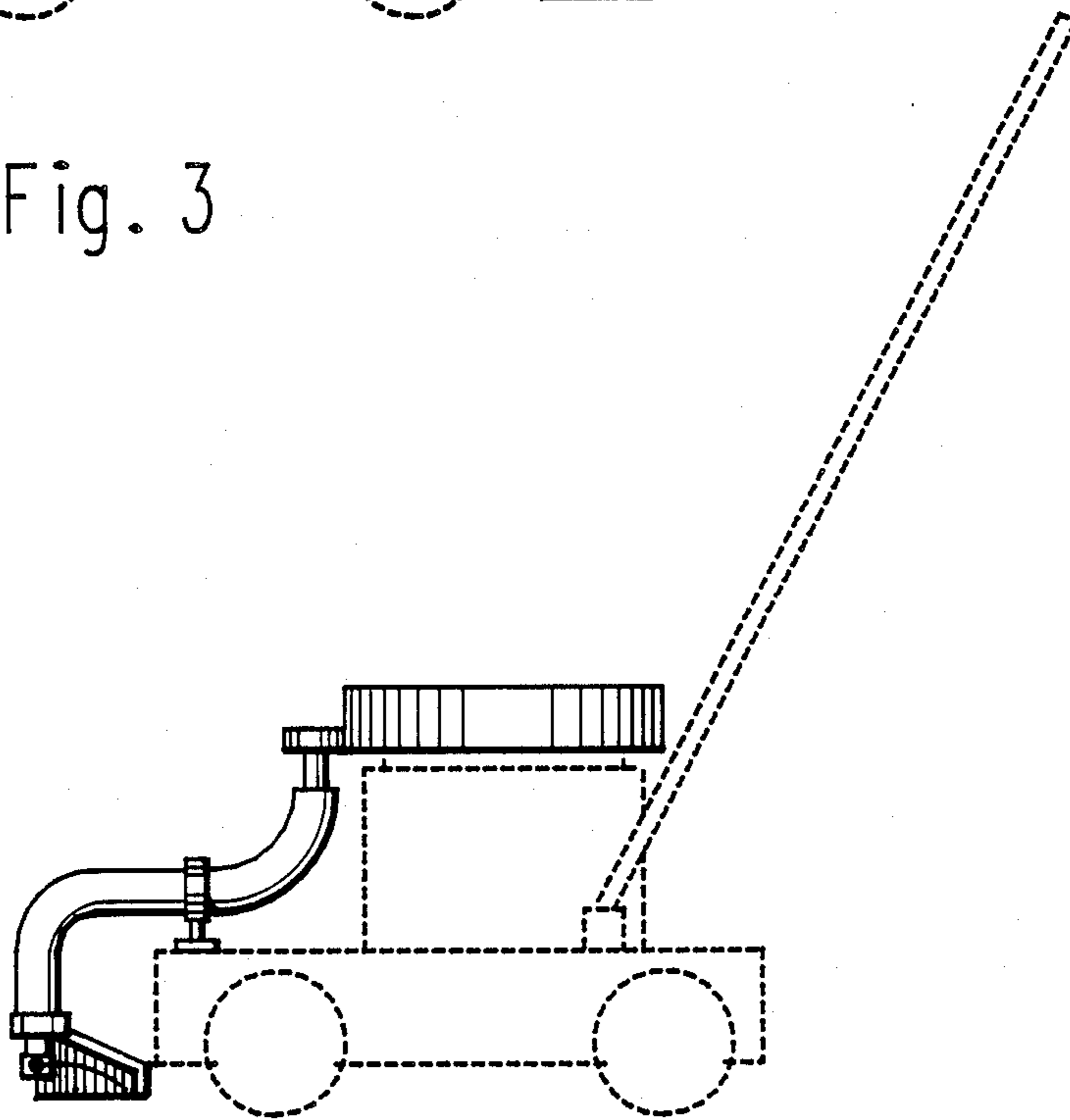


Fig. 3

Fig. 4



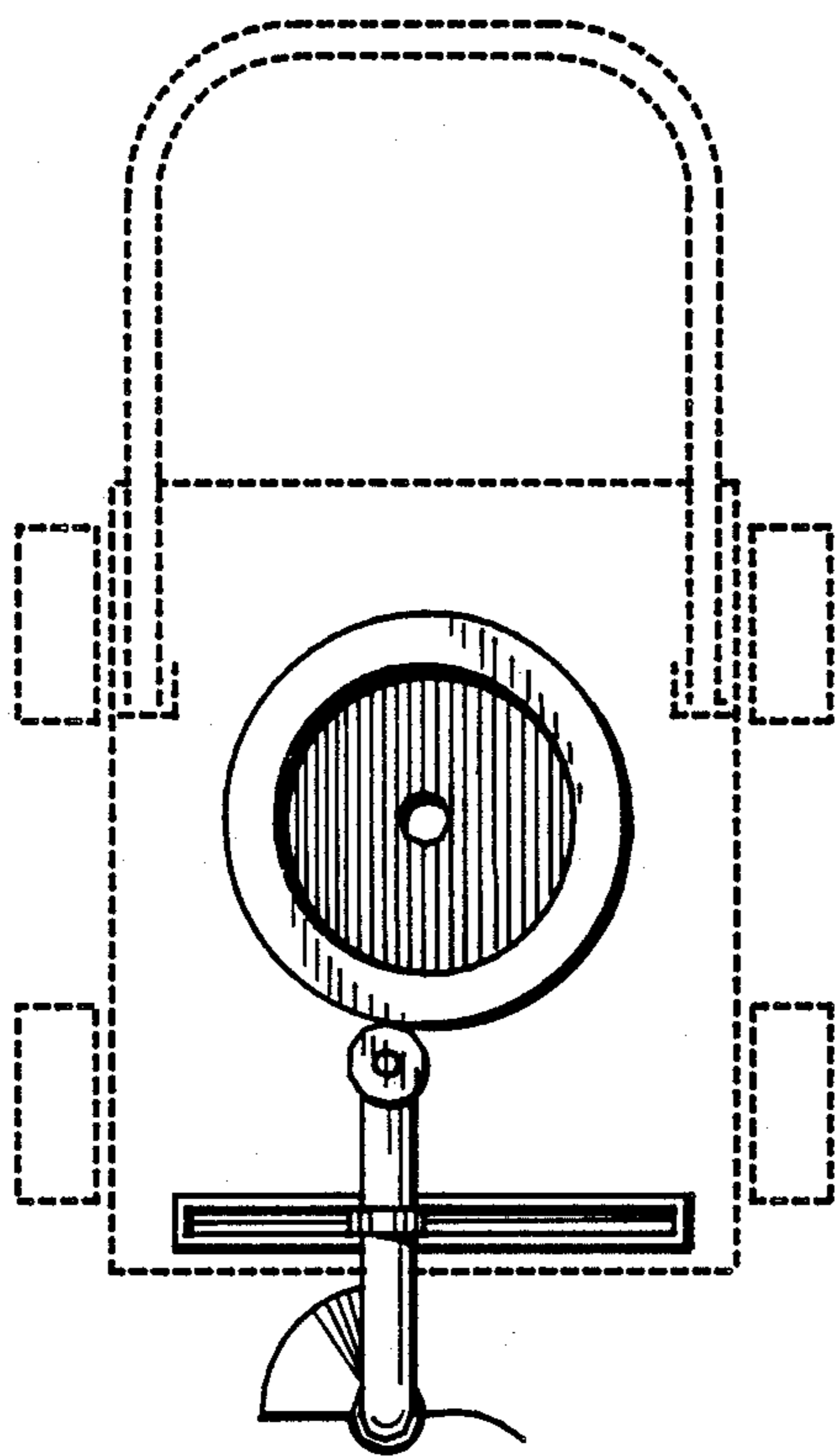


Fig. 5

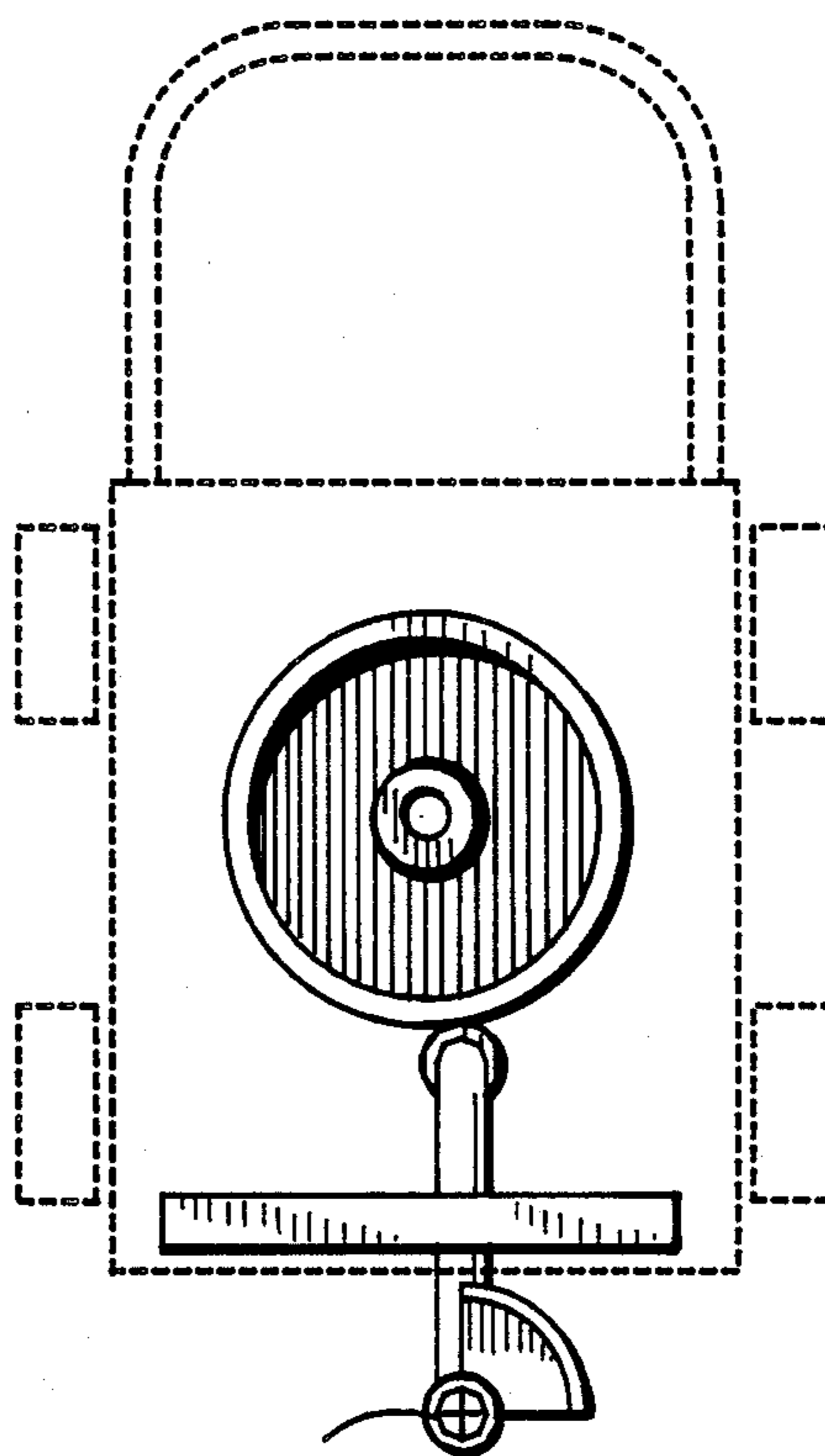


Fig. 6