

[54] BASE HOUSING FOR A MULTI-FEATURE TELEPHONE CALL PROCESSOR

[75] Inventors: William C. Barker, Scottsdale; Pathukotta K. Desikan, Phoenix; Ross E. Fraser; Michael W. Pflueger, both of Glendale; Kamal S. Sethia, Phoenix, all of Ariz.

[73] Assignee: AG Communication Systems Corporation, Phoenix, Ariz.

[**] Term: 14 Years

[21] Appl. No.: 197,799

[22] Filed: May 23, 1988

[52] U.S. Cl. D14/241; D14/151; D14/150; D14/142

[58] Field of Search D14/241, 151, 243, 140, D14/142, 149, 150; 379/217, 368, 440, 436, 432, 428, 419, 420

[56] References Cited

U.S. PATENT DOCUMENTS

- D. 280,404 9/1985 Inaka D14/151
- D. 284,190 6/1986 Ando et al. D14/151
- D. 286,042 10/1986 Fukutani D14/151
- D. 293,670 1/1988 Ganffin et al. D14/151

- D. 295,513 5/1988 Brown et al. D14/151
- D. 297,325 8/1988 Engstrom et al. D14/149
- D. 299,229 1/1989 Pei Wen Kuo D14/151
- D. 299,823 2/1989 Hattori D14/151
- D. 301,031 5/1989 Sasaki et al. D14/151
- 4,773,090 9/1988 Goatman 379/429
- 4,790,004 12/1988 Nalbhone 379/267

Primary Examiner—Horace B. Fay, Jr.
Attorney, Agent, or Firm—Anthony Miologos

[57] CLAIM

The ornamental design of a base housing for a multi-feature telephone call processor, as shown and described.

DESCRIPTION

FIG. 1 is a perspective view of a base housing for a multi-feature telephone call processor, showing our new design;

FIG. 2 is a top plan view thereof;

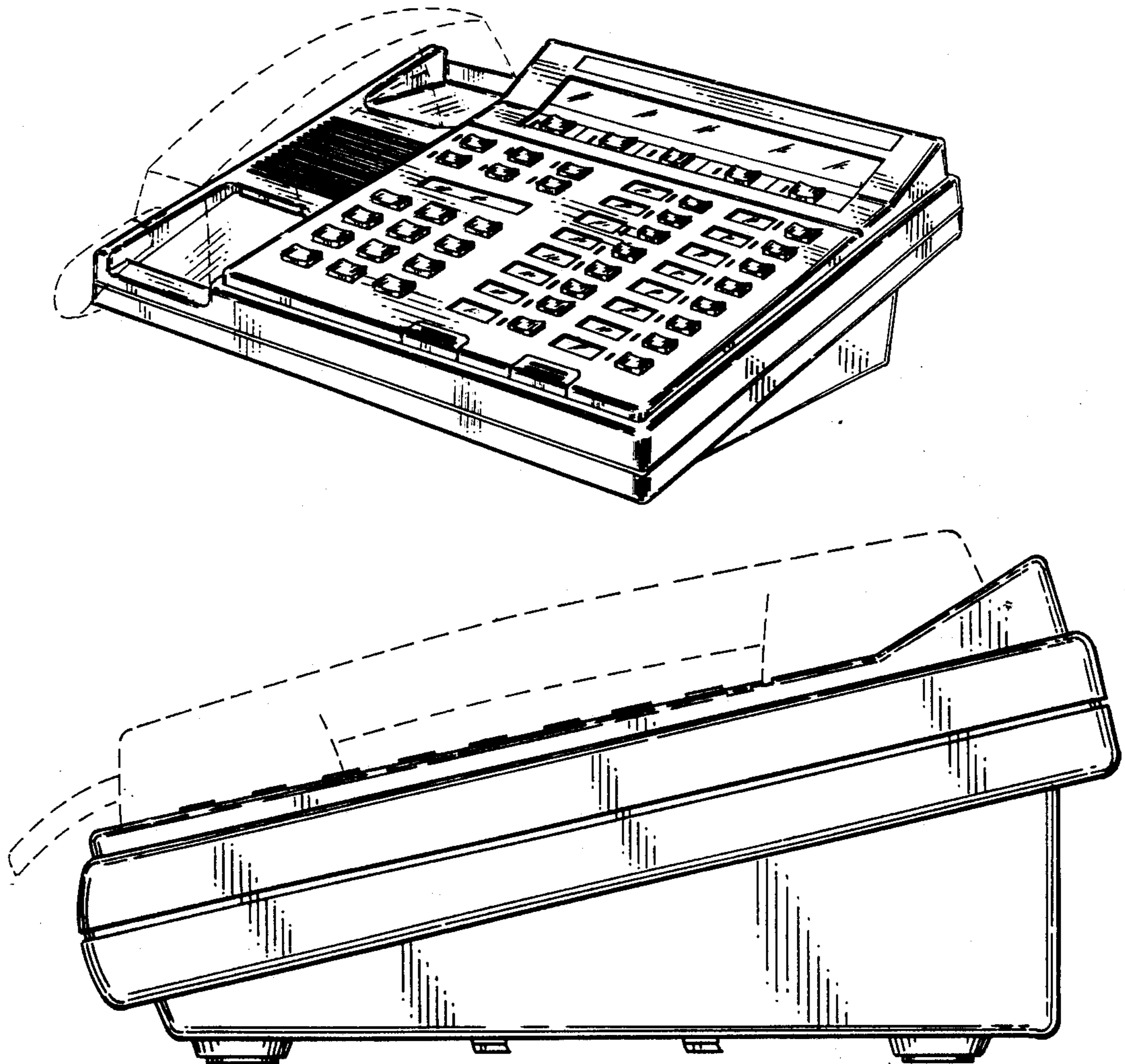
FIG. 3 is a front elevation thereof;

FIG. 4 is a rear elevation thereof;

FIG. 5 is a side elevation thereof, the opposite side being a mirror image of the side shown; and,

FIG. 6 is a bottom plan view thereof.

The broken line disclosure of a telephone handset and cord are for illustrative purposes only and forms no part of the claimed design.



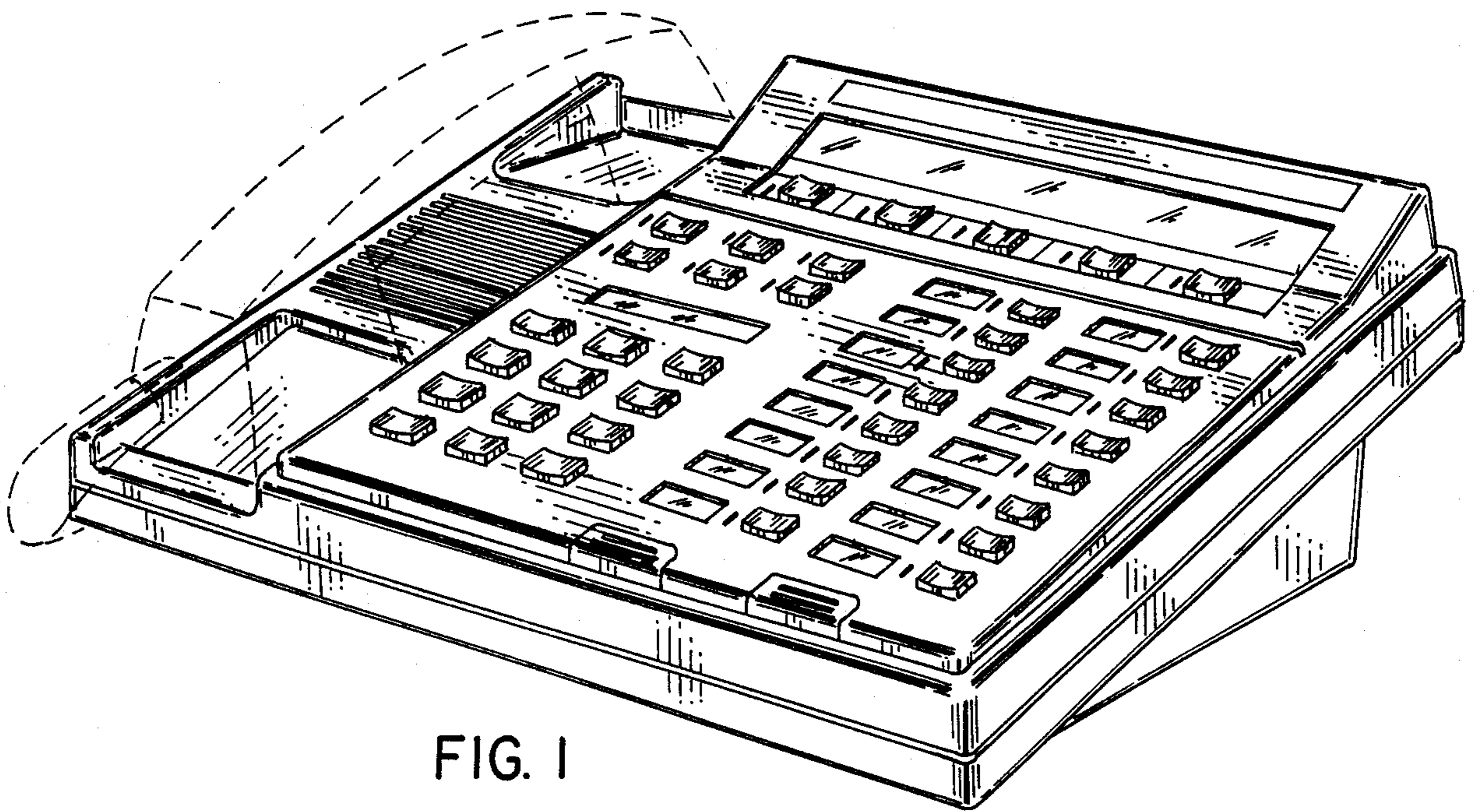


FIG. 1

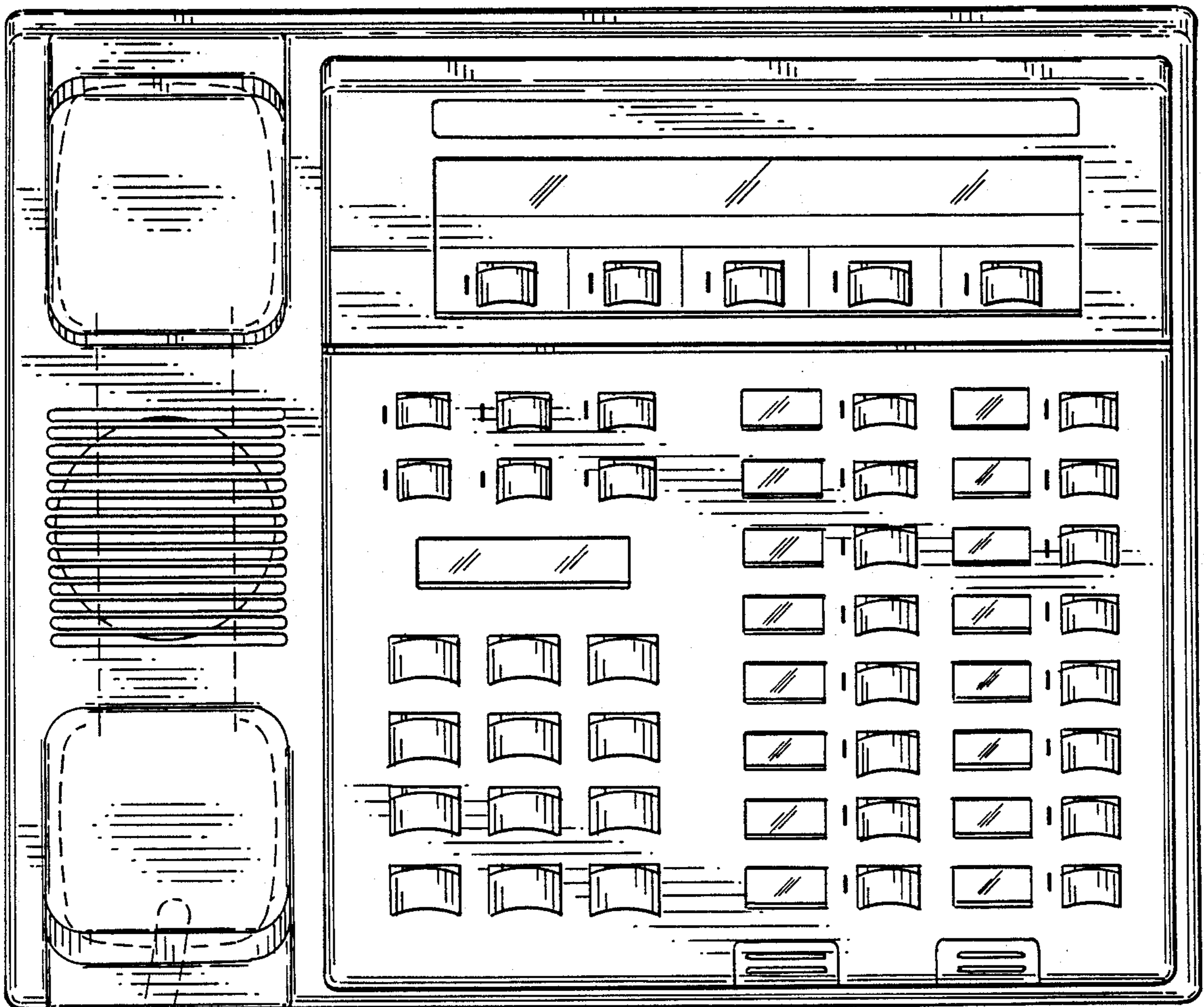


FIG. 2

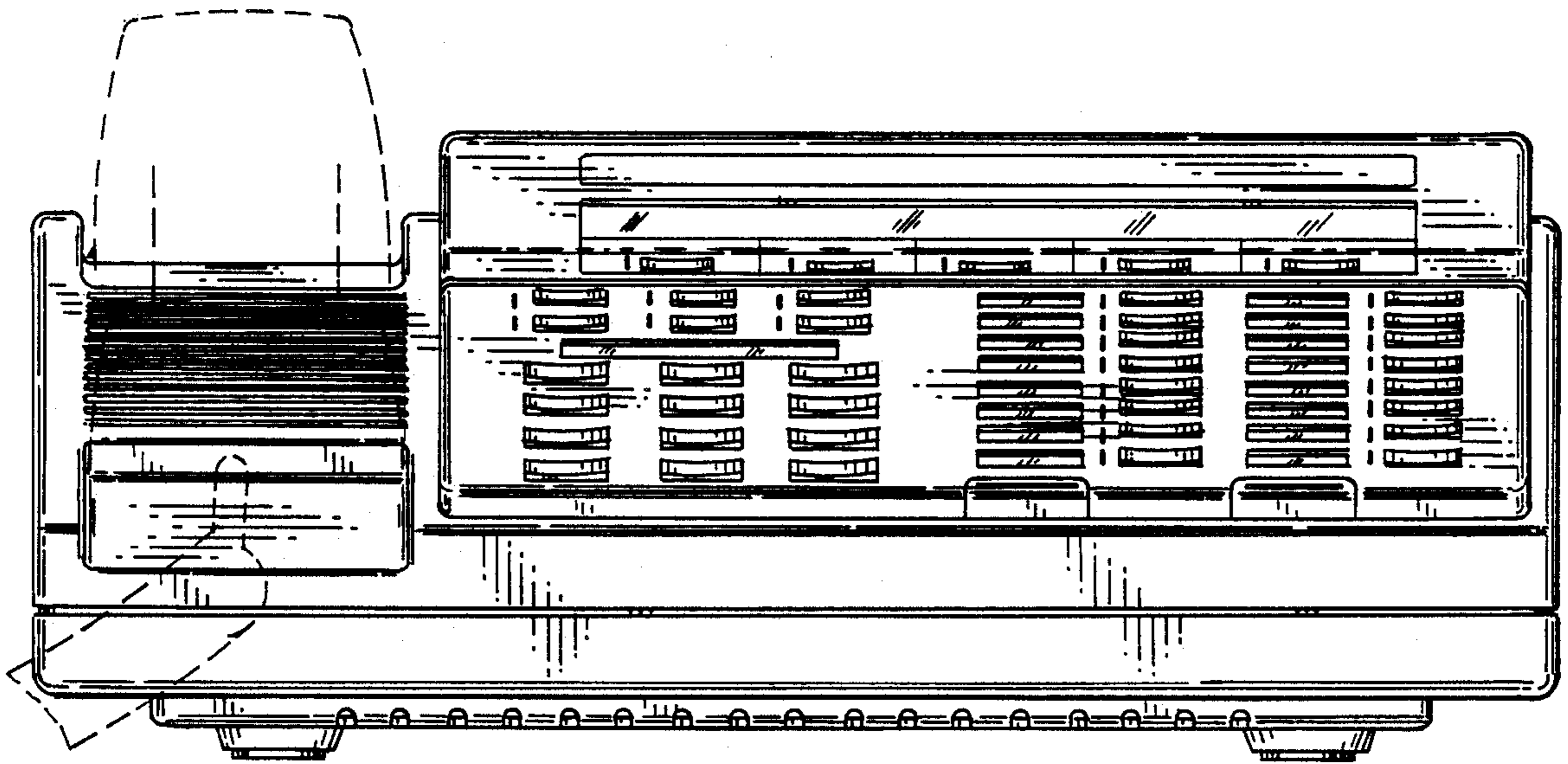


FIG. 3

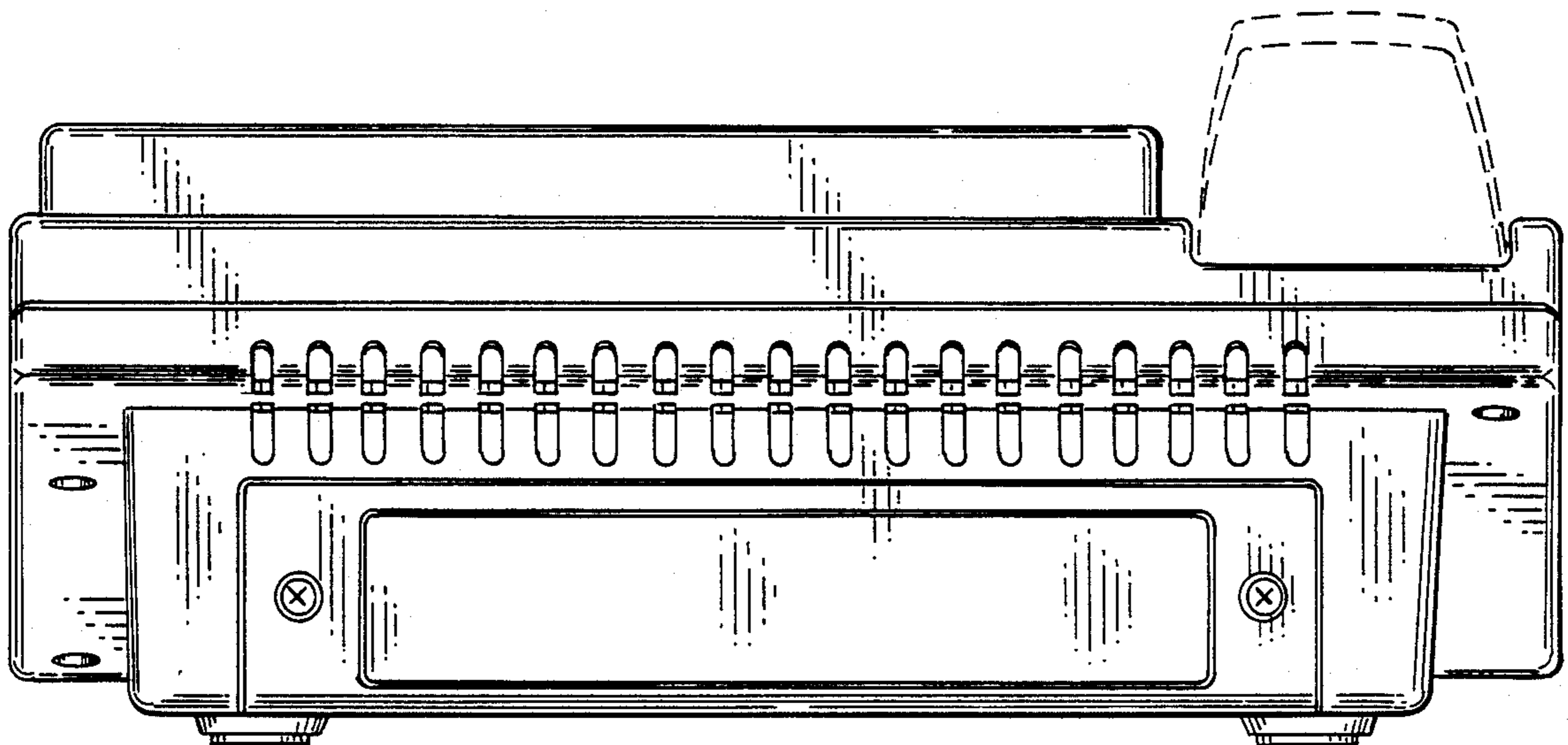


FIG. 4

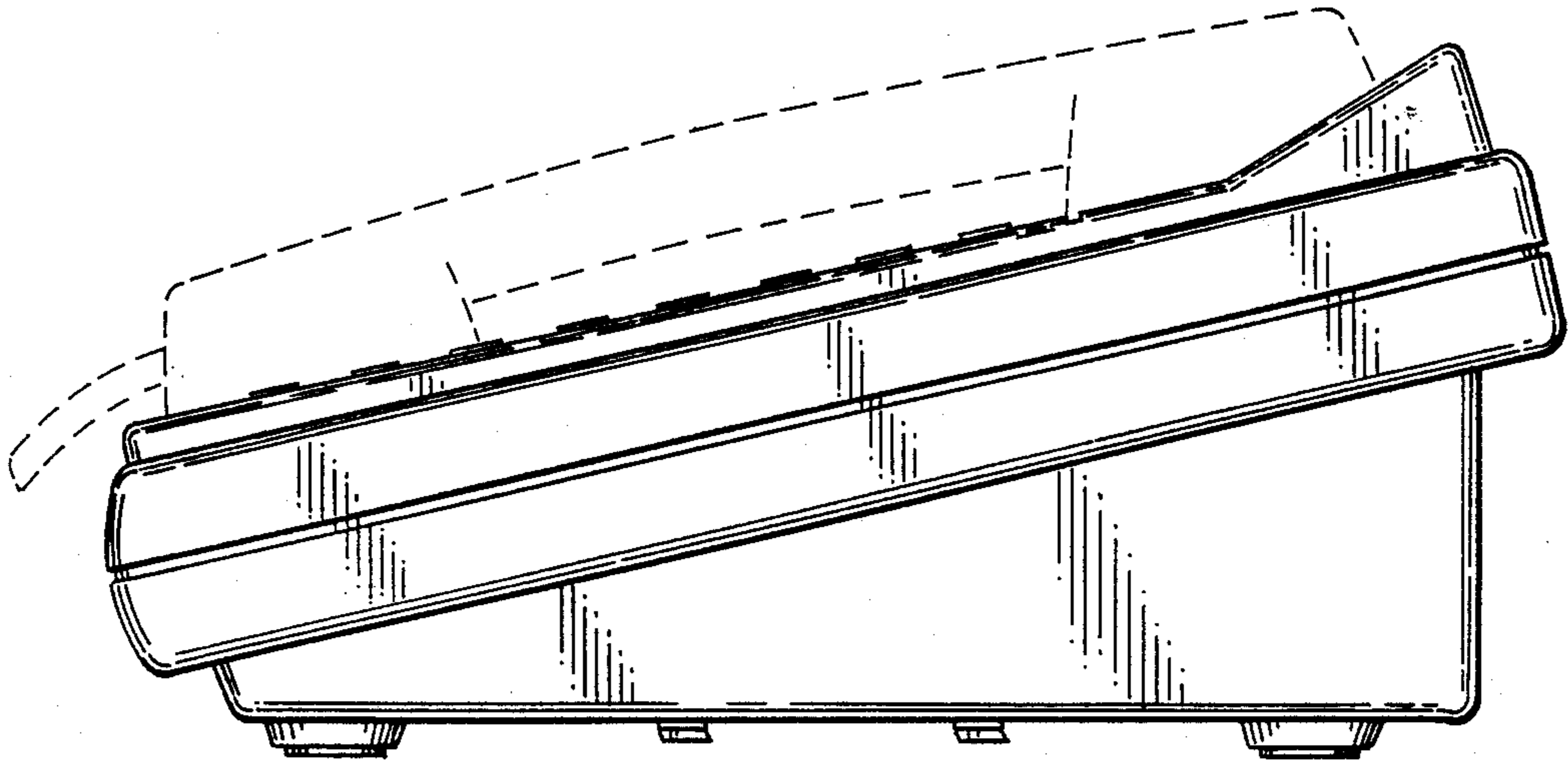


FIG. 5

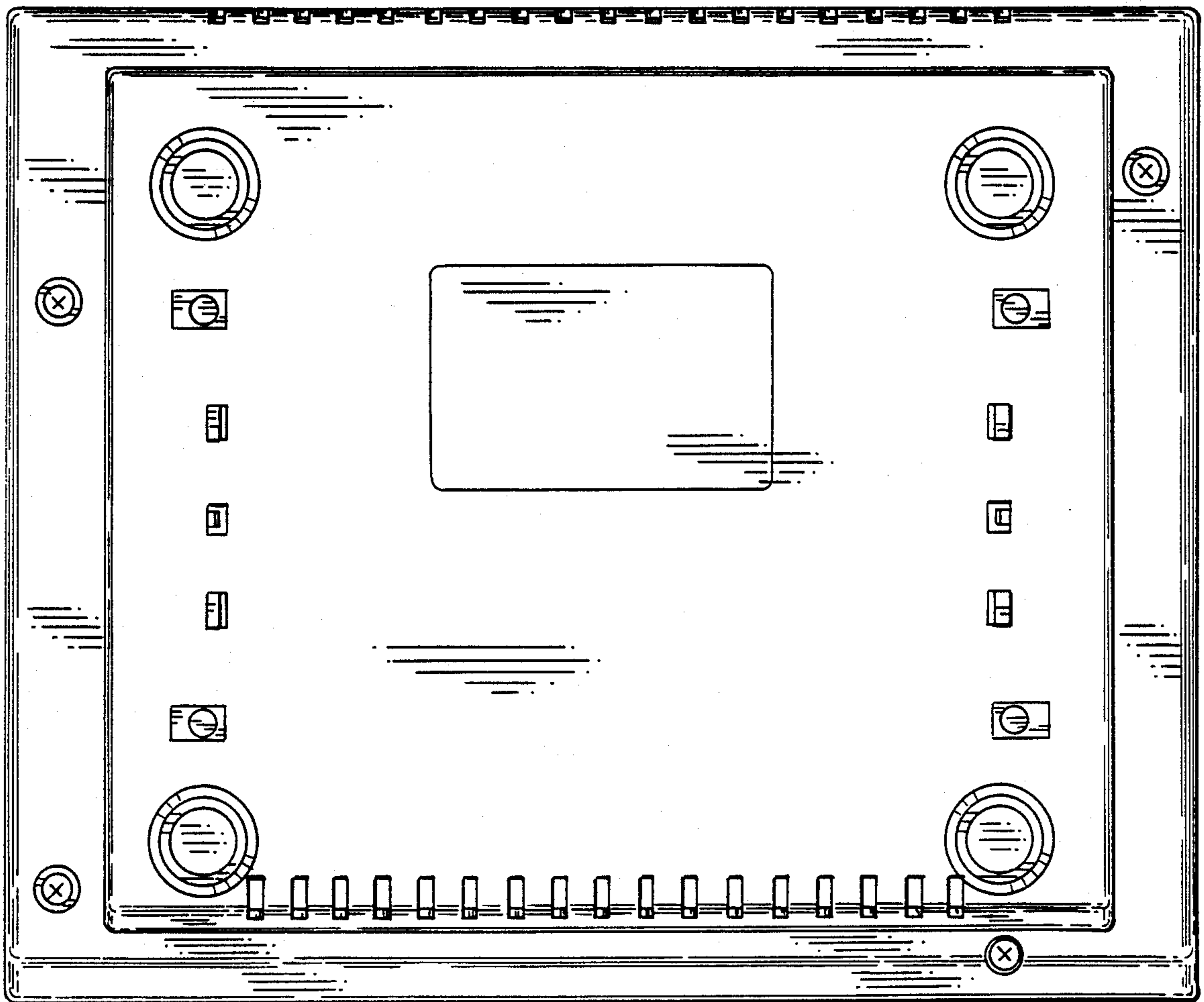


FIG. 6