

[54] FACSIMILE TRANSCEIVER

[75] Inventors: Kazunori Hashimoto, Tachikawa; Masahito Saegusa; Takashi Ohwada, both of Mitaka; Yoshihiro Kawakatsu, Sayama; Katsubumi Ohuchi, Chigasaki; Hiroshi Endo, Yokohama; Kyoichi Yamashita, Fujisawa, all of Japan

[73] Assignee: Hitachi, Ltd., Tokyo, Japan

[\*\*] Term: 14 Years

[21] Appl. No.: 101,552

[22] Filed: Sep. 28, 1987

[30] Foreign Application Priority Data

Mar. 27, 1987 [JP] Japan ..... 62-11311

[52] U.S. Cl. .... D14/118

[58] Field of Search ..... D14/118, 142, 144, 151; D18/36, 37; 358/256, 286

[56] References Cited

U.S. PATENT DOCUMENTS

D. 262,967 2/1982 Fujiyama et al. .... D14/118

D. 272,625 2/1984 Suzuki et al. .... D14/118  
D. 292,976 12/1987 Kando ..... D14/118  
D. 300,137 3/1989 Kando ..... D14/118  
D. 300,138 3/1989 Nishio ..... D14/118

OTHER PUBLICATIONS

The Office, Jun. 1987, p. 162, bottom left—Facsimile Machine.

Primary Examiner—Bernard Ansher

Assistant Examiner—Theodore M. Shooman

Attorney, Agent, or Firm—Antonelli, Terry & Wands

[57] CLAIM

The ornamental design for an facsimile transceiver, as shown.

DESCRIPTION

FIG. 1 is a front, top and right side perspective view of a facsimile transceiver showing our new design; FIG. 2 is a front elevational view thereof; FIG. 3 is a left side elevational view thereof; FIG. 4 is a right side elevational view thereof; FIG. 5 is a top plan view thereof; FIG. 6 is a rear elevational view thereof, and FIG. 7 is a bottom plan view thereof;

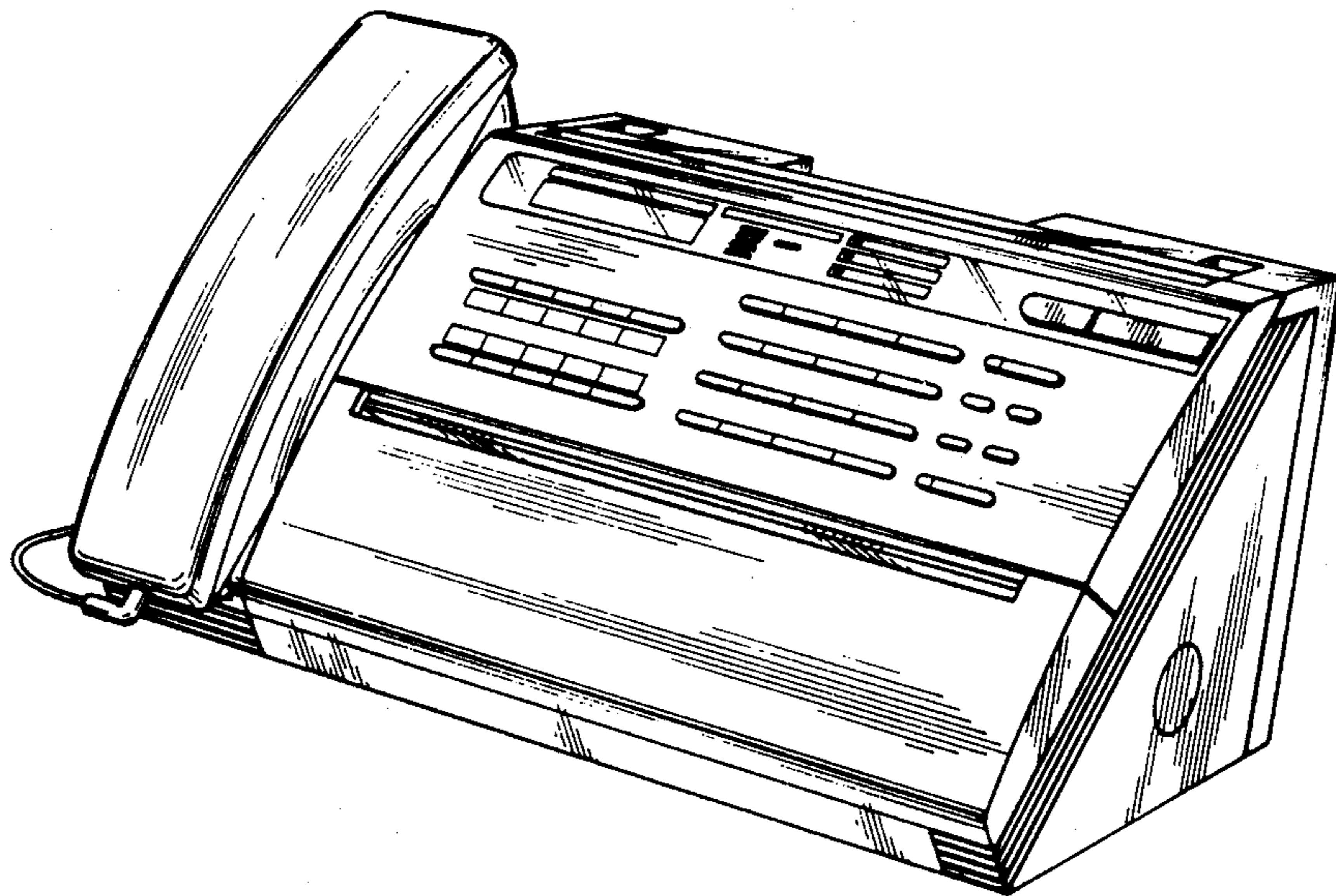


FIG. 1

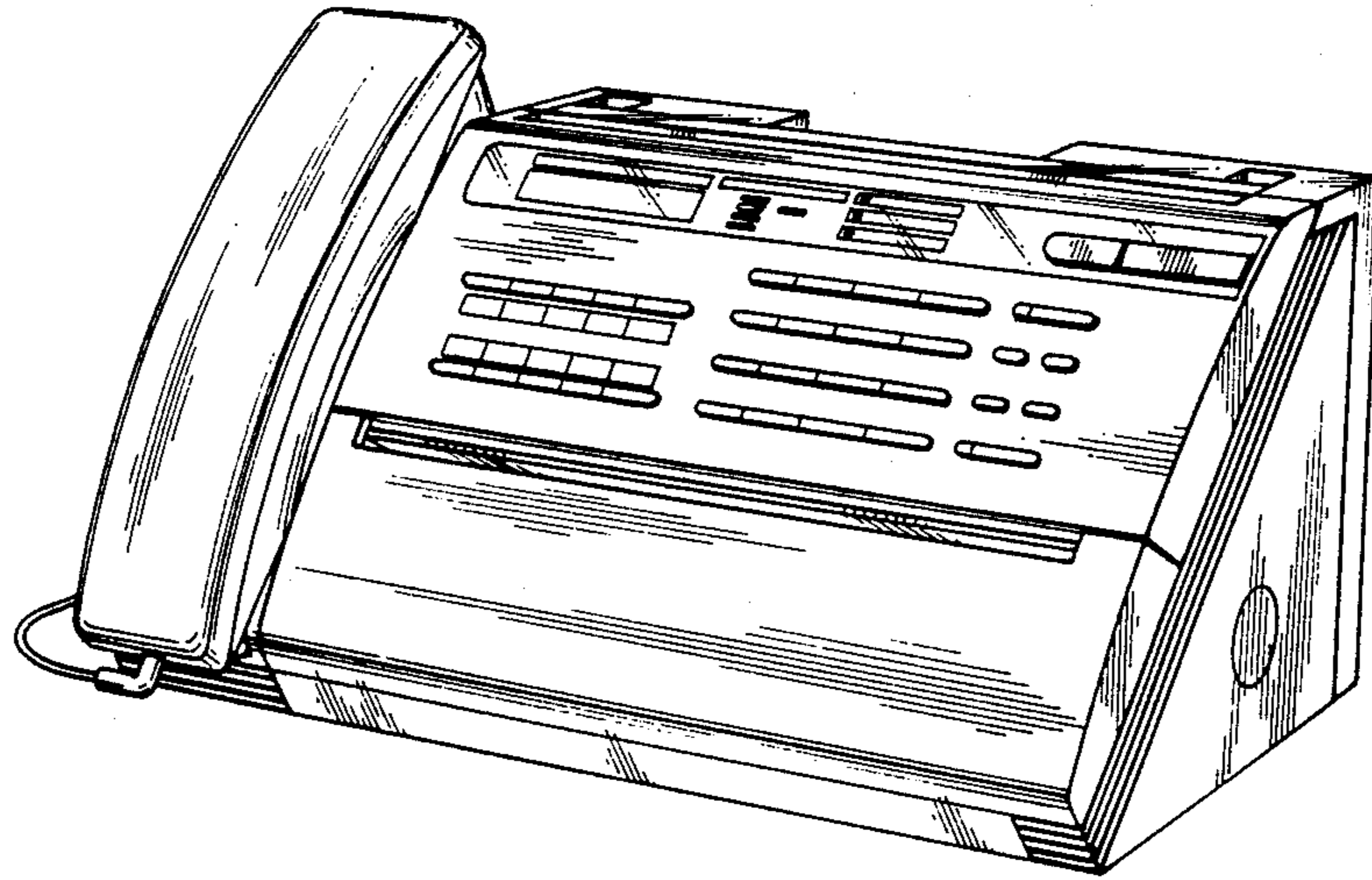


FIG. 2

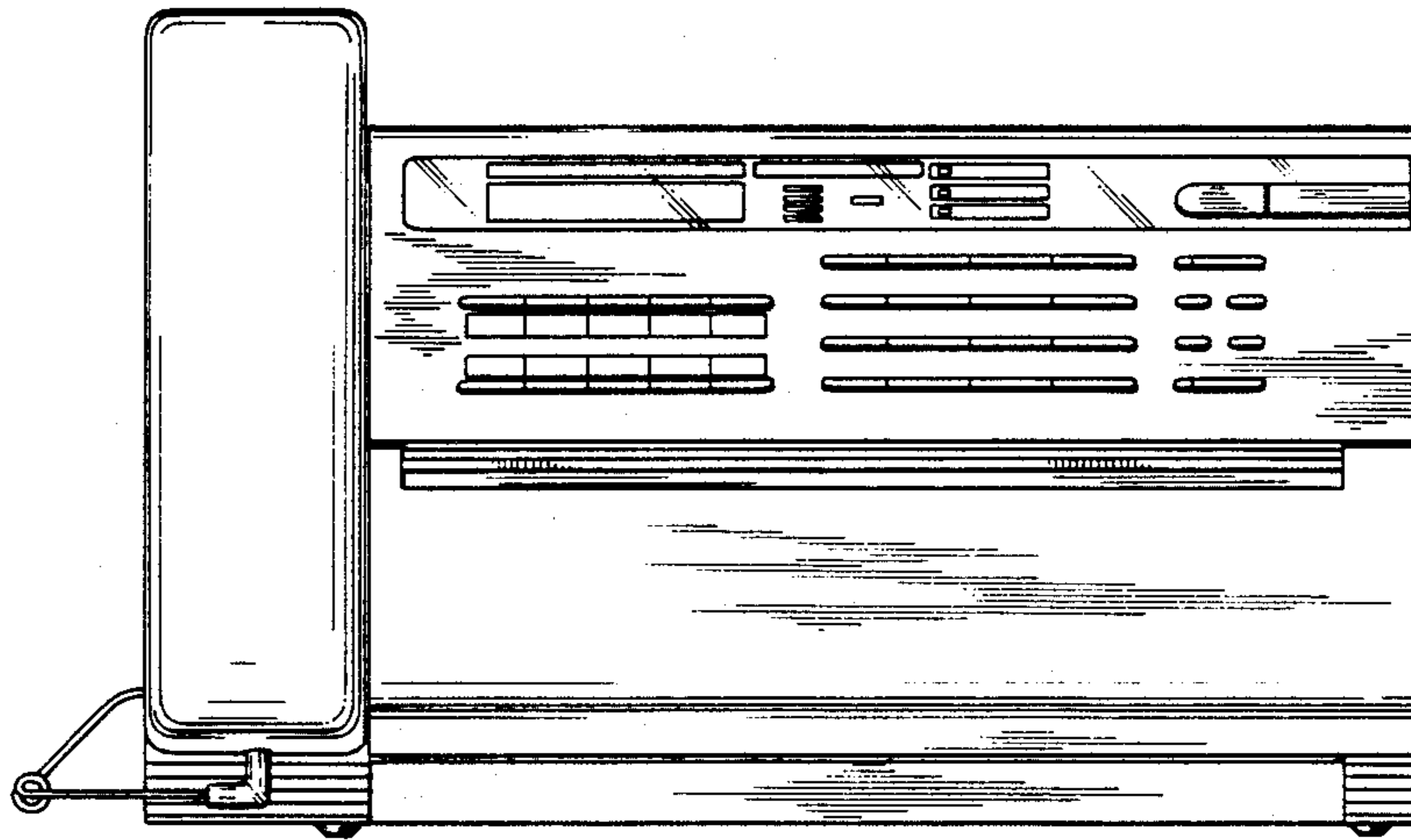


FIG. 3

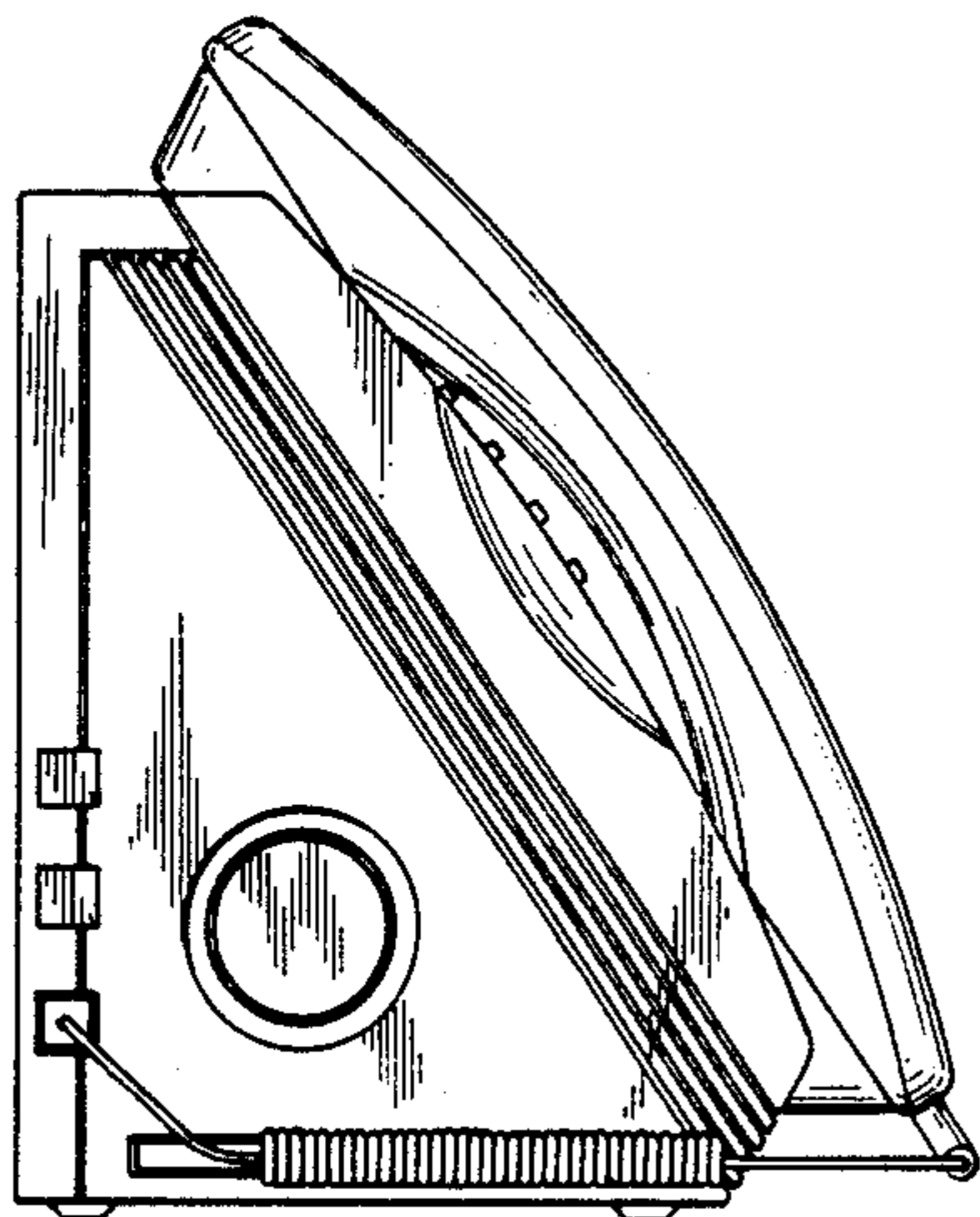


FIG. 4

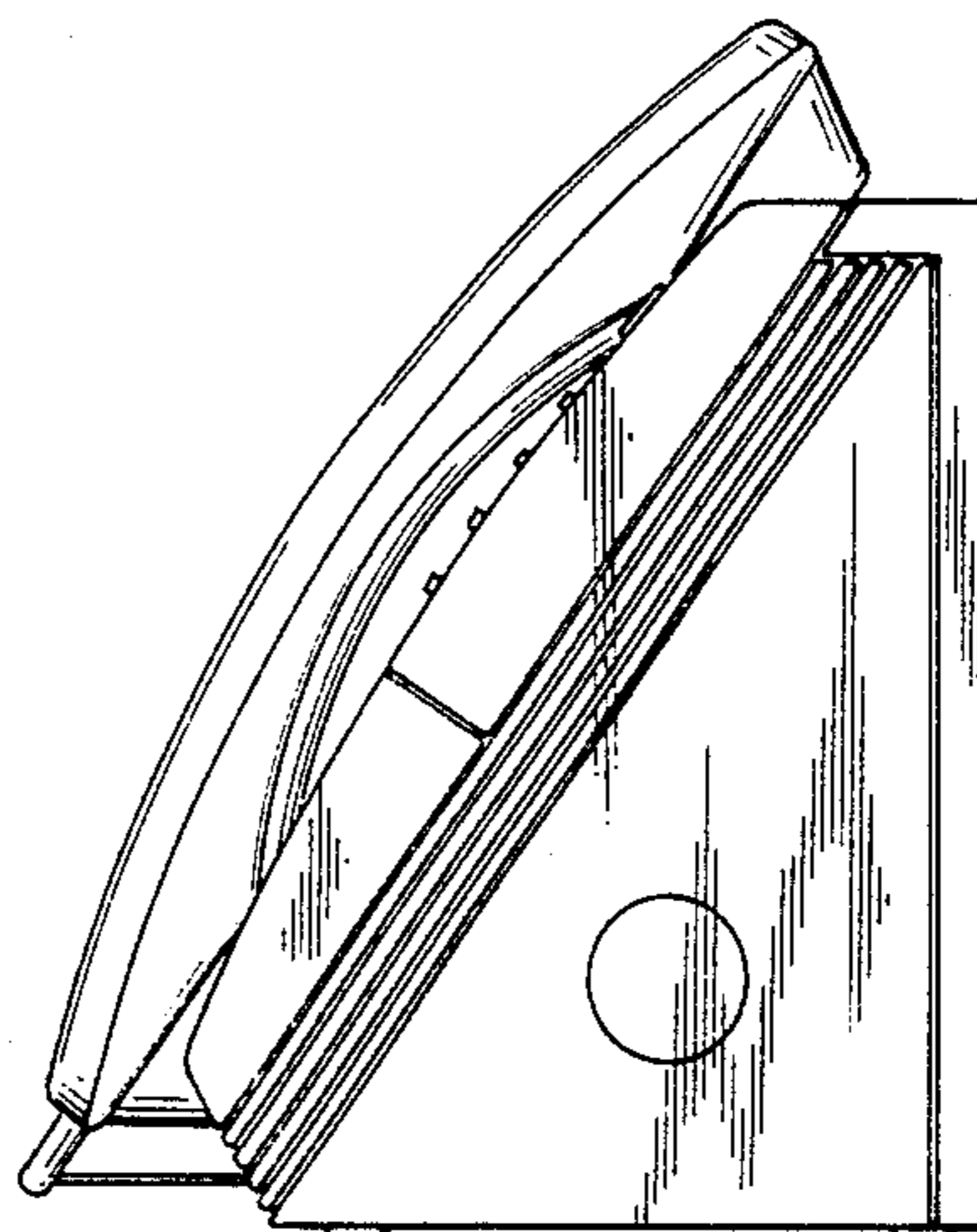


FIG. 5

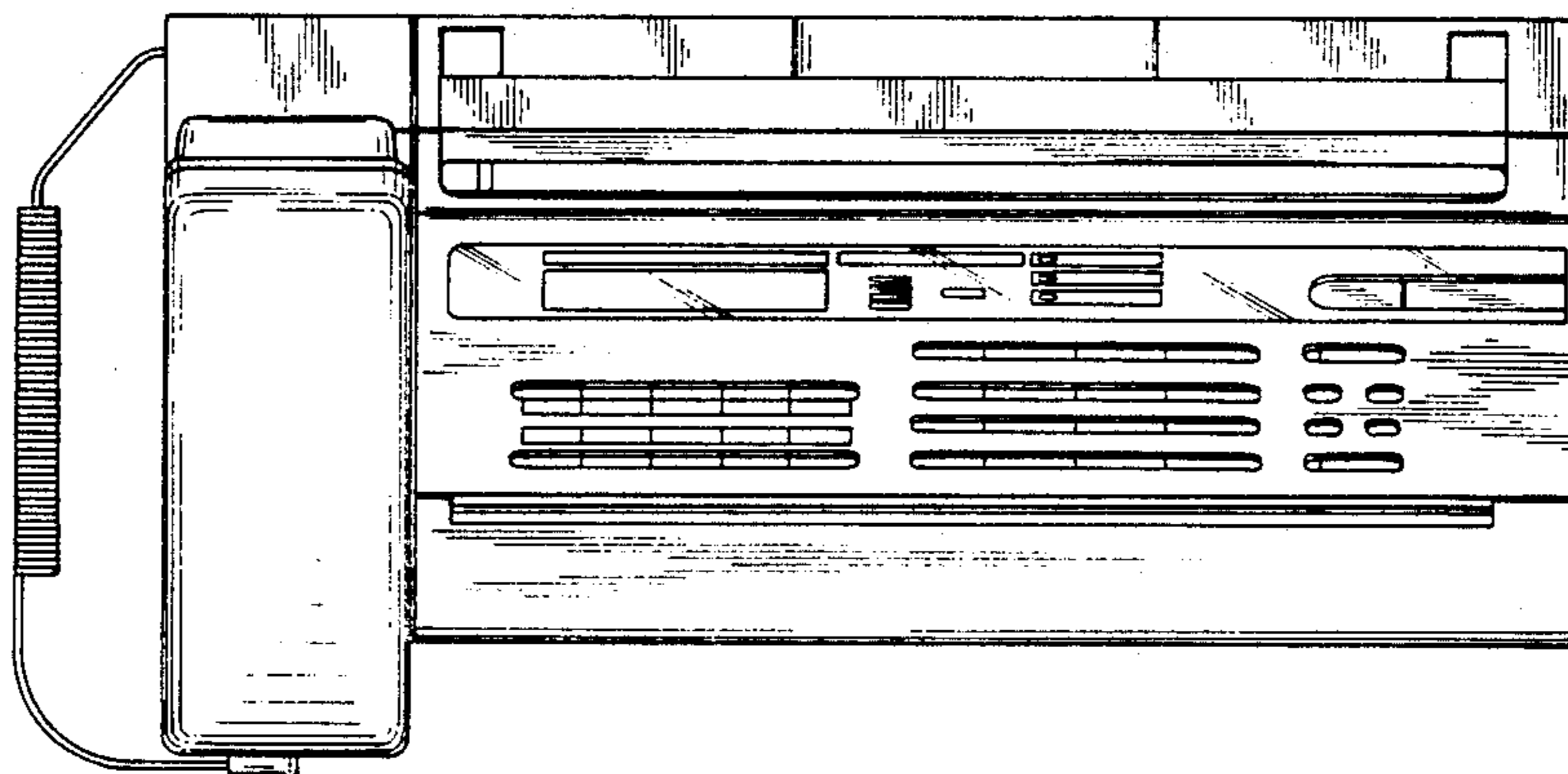


FIG. 6

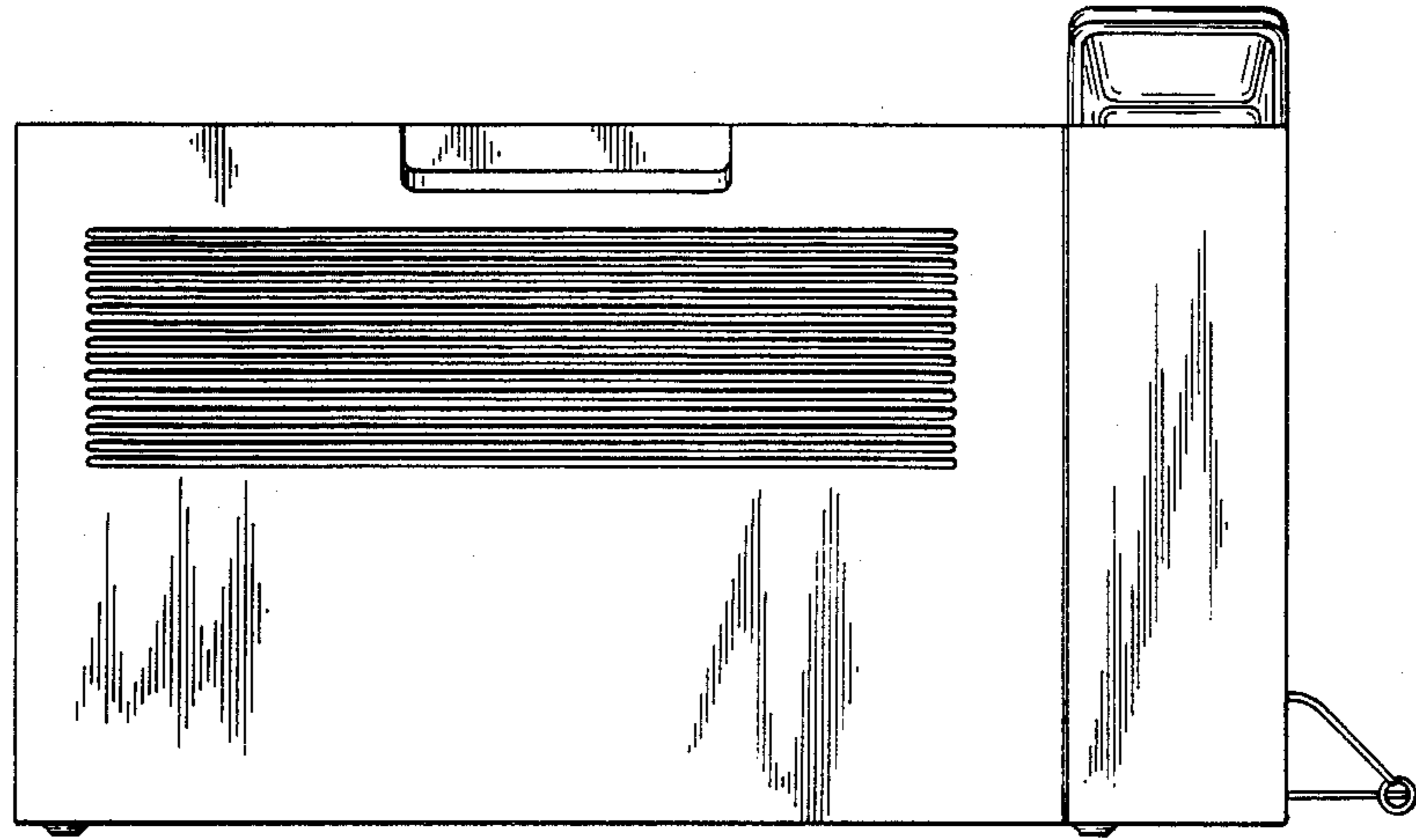


FIG. 7

