

United States Patent [19]

Ashe et al.

[11] Patent Number: **Des. 304,720**

[45] Date of Patent: **** Nov. 21, 1989**

[54] **DISK CARTRIDGE**

[75] Inventors: **Philip R. Ashe, Hilton; James R. Carey, Rochester, both of N.Y.; Patrick J. Champagne, Cupertino, Calif.; David L. Rowden, Rochester, N.Y.**

[73] Assignee: **Verbatim Corporation, Sunnyvale, Calif.**

[**] Term: **14 Years**

[21] Appl. No.: **60,581**

[22] Filed: **Jun. 9, 1987**

[52] U.S. Cl. **D14/114**

[58] Field of Search **D14/100, 114, 116, 125, D14/121; D3/35; D18/11, 12, 22; D13/40, 41; 206/312, 444; 273/148 B; 360/97, 98, 99, 132, 133; 361/392, 394, 395; 174/52.1, 52.4; 369/291**

[56] **References Cited**

U.S. PATENT DOCUMENTS

D. 292,292 10/1987 Saito et al. **D14/114**

D. 297,938 10/1988 Hara **D14/114**
D. 298,251 10/1988 Kato et al. **D14/114**
4,608,617 8/1986 Oishi et al. **D14/121 X**
4,797,770 1/1989 Takahasi **360/97.01 X**

Primary Examiner—Susan J. Lucas
Assistant Examiner—Freda S. Nunn
Attorney, Agent, or Firm—Dennis P. Monteith

[57] **CLAIM**

The ornamental design for a disk cartridge, as shown and described.

DESCRIPTION

FIG. 1 is a top, front perspective view of a disk cartridge, showing our new design, with a shutter thereof closed;

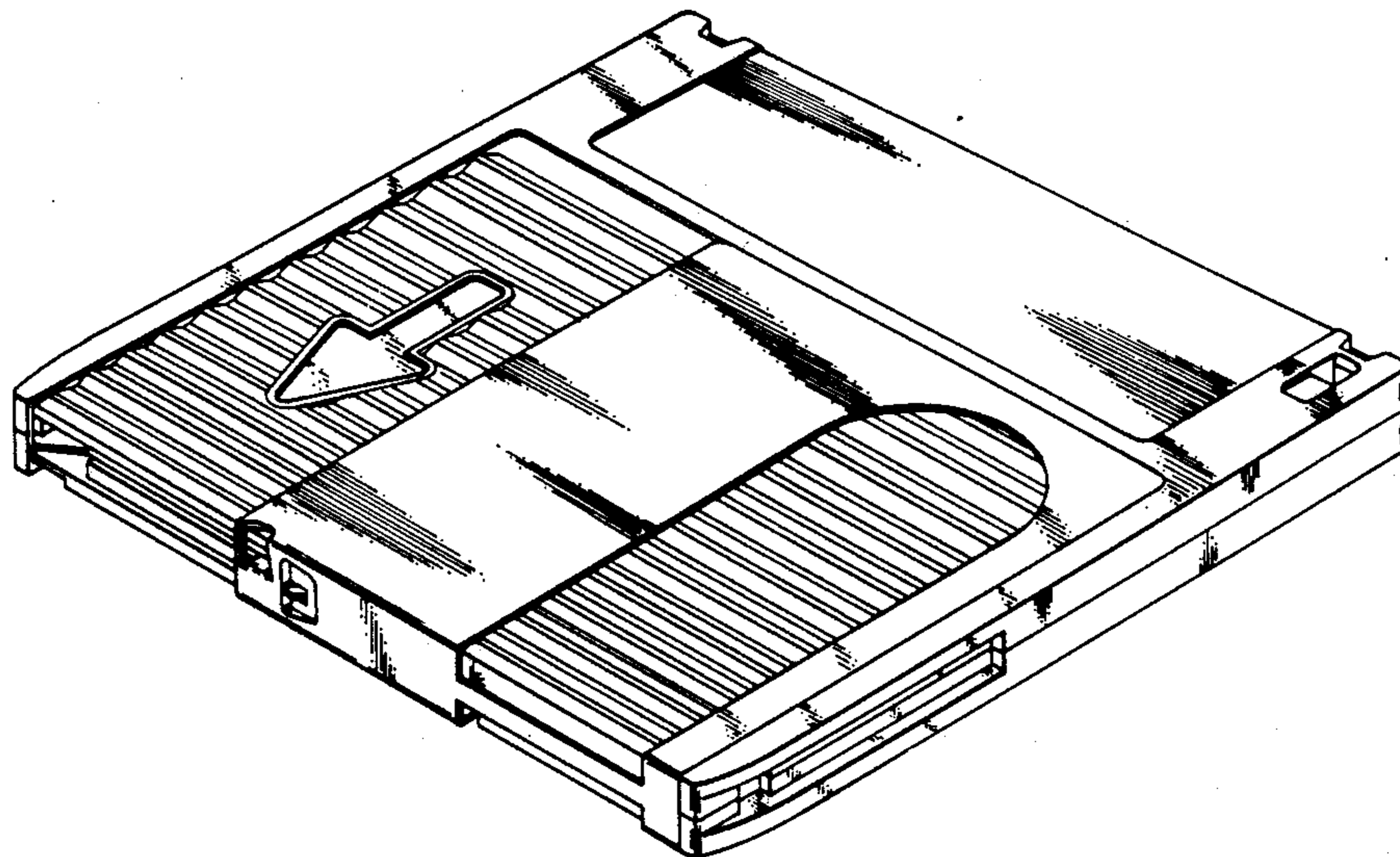
FIG. 2 is a top, front perspective view thereof, with the shutter opened;

FIG. 3 is a bottom, rear perspective view thereof, with the shutter closed;

FIG. 4 is a bottom, rear perspective view thereof, with the shutter opened;

FIG. 5 is a left side elevational view thereof; and

FIG. 6 is a right side elevational view thereof.



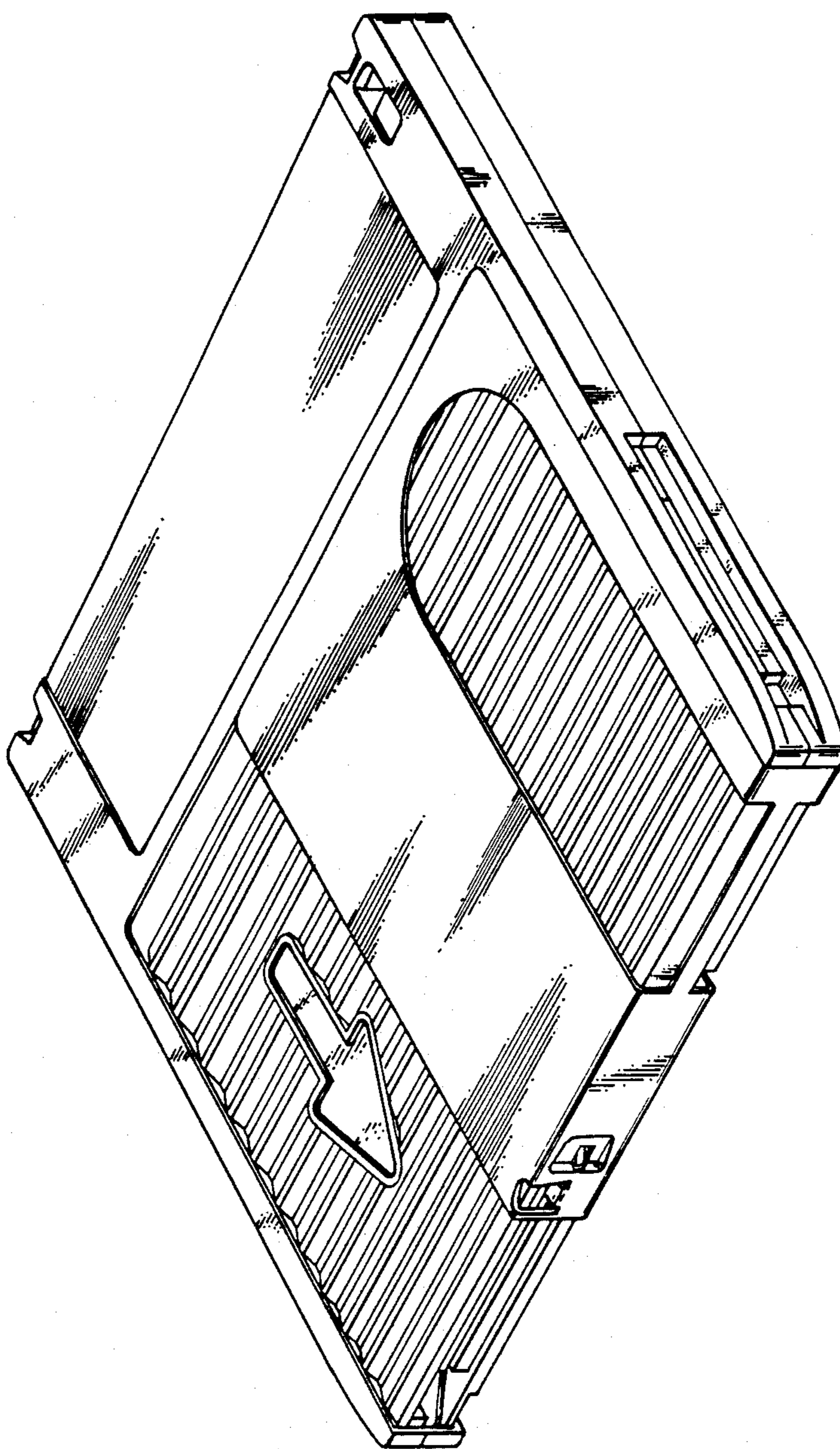


FIG. 1

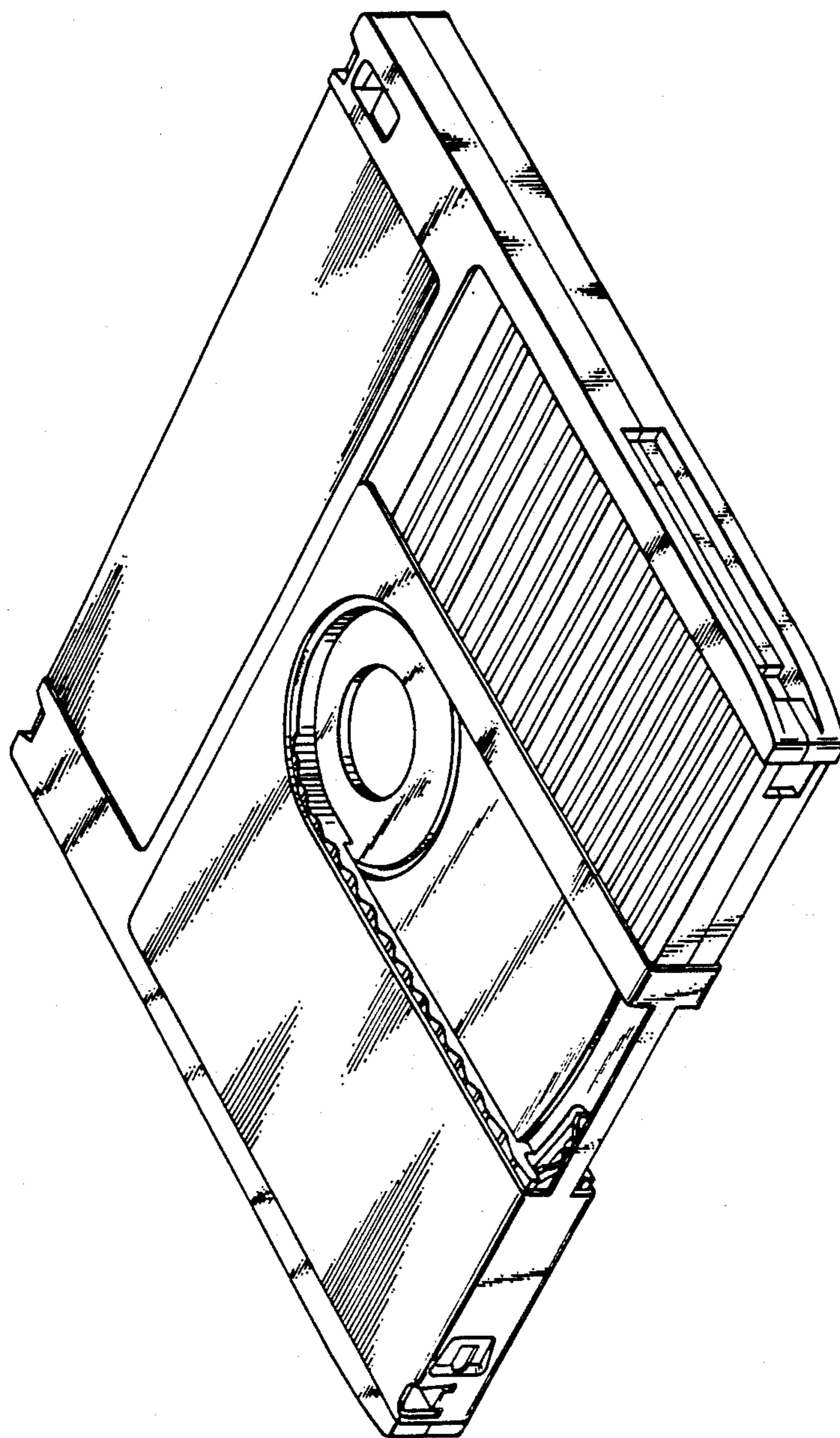


FIG. 2

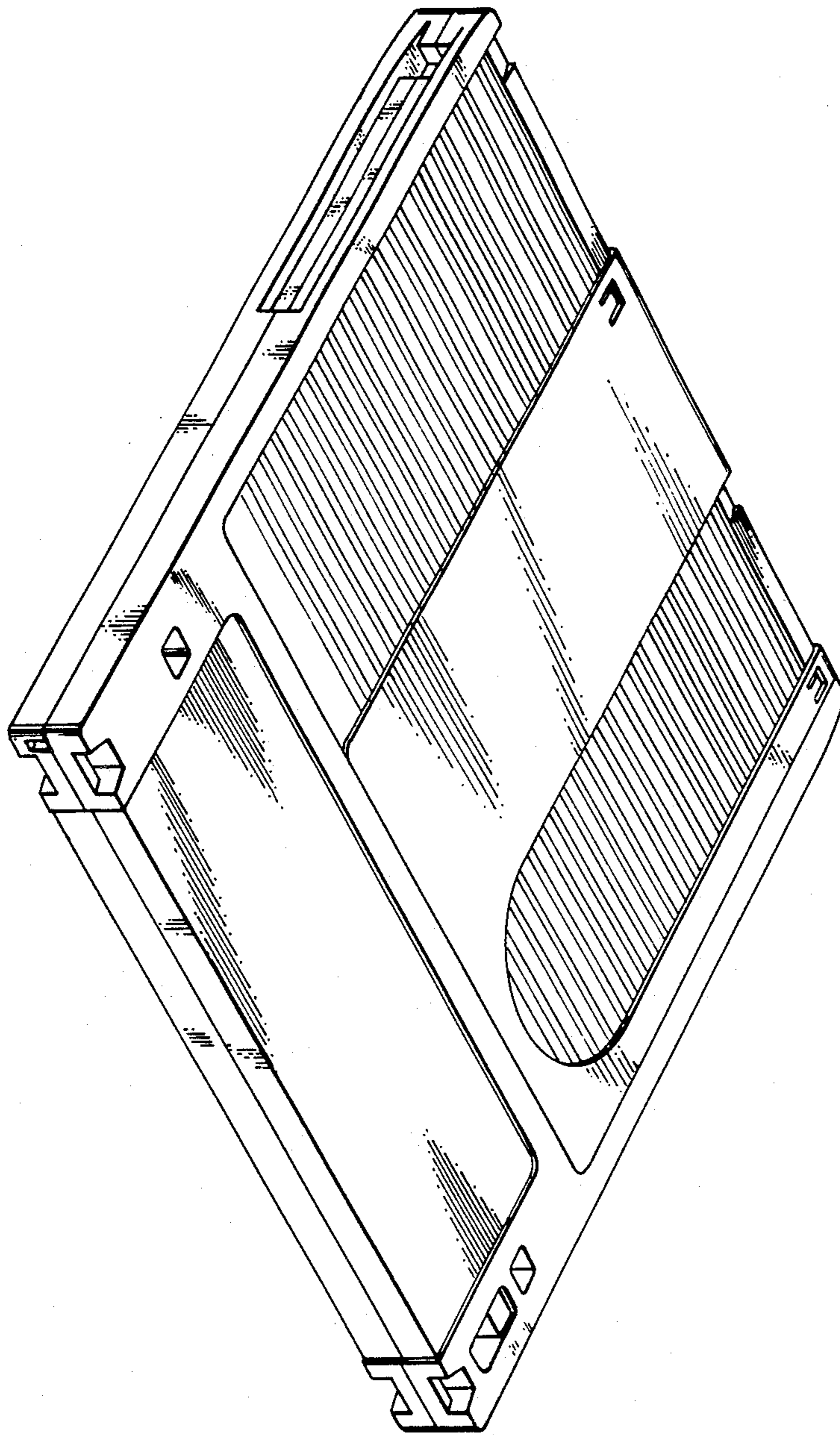


FIG. 3

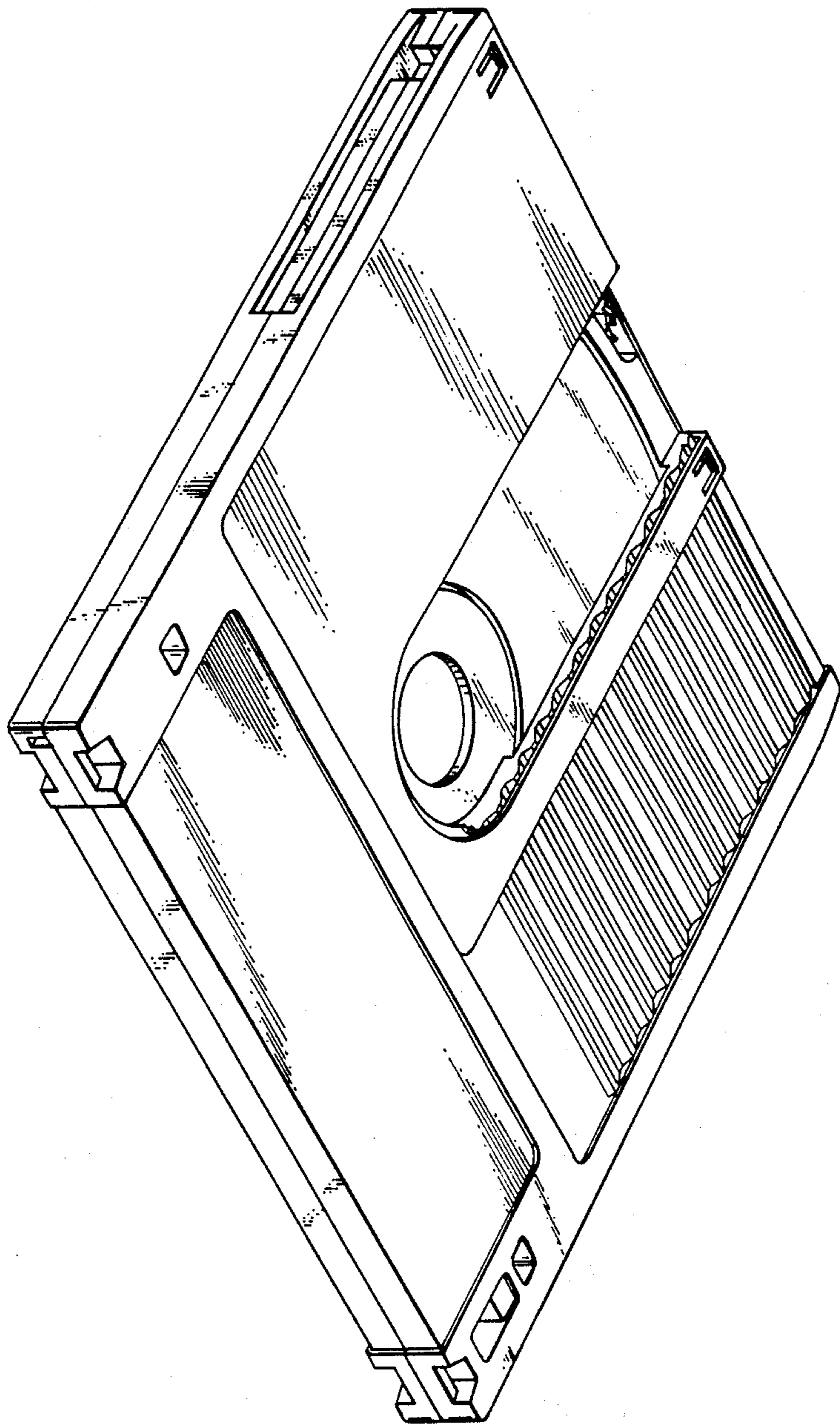


FIG. 4

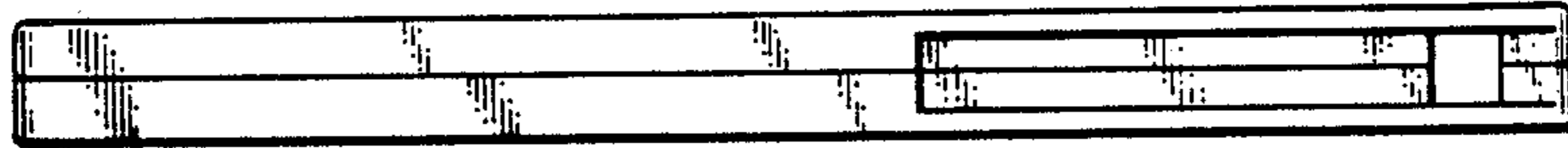


FIG. 5

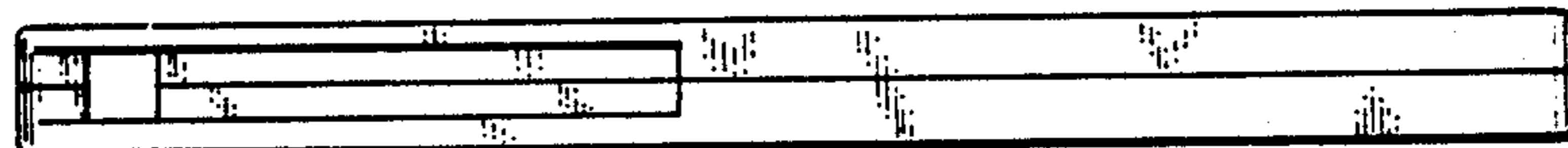


FIG. 6