

[54] **NOSE ORNAMENT FOR AN AUTOMOBILE**

[76] **Inventor: Ralph Perricelli, 313 Oradell Ave.,
Paramus, N.J. 07652**

[**] **Term: 14 Years**

[21] **Appl. No.: 19,328**

[22] **Filed: Feb. 26, 1987**

[52] **U.S. Cl. D12/197; D12/190**

[58] **Field of Search D12/190, 197, 166;
296/194; 428/31**

[56] **References Cited**

U.S. PATENT DOCUMENTS

D. 59,876 11/1921 Stahl D12/166
D. 272,240 1/1984 Berg D12/193

OTHER PUBLICATIONS

J. C. Whitney Catalog No. 366F, ©1977, p. 64,
Chrome Grille Crowns, top left side of page.

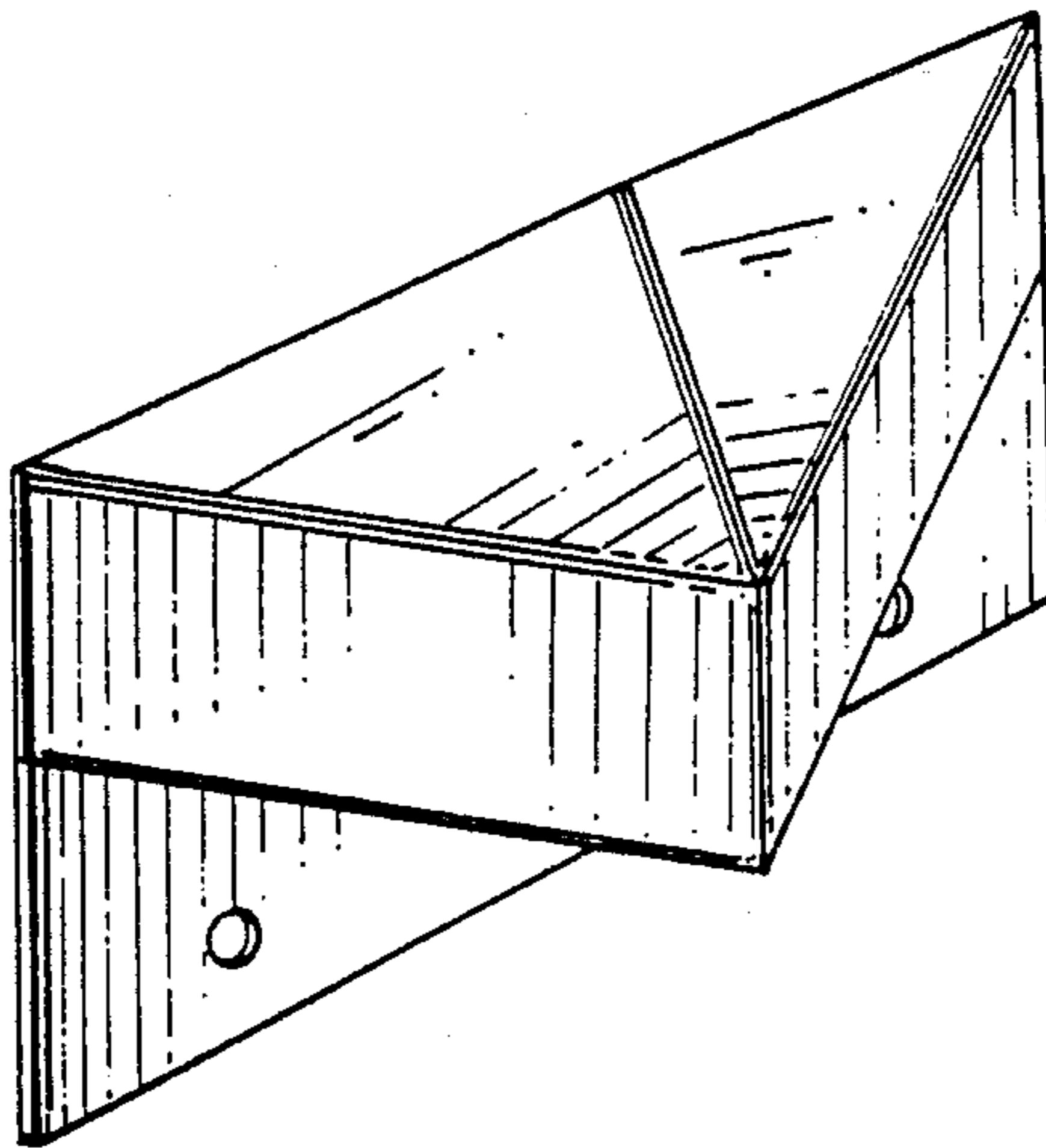
Primary Examiner—James M. Gandy
Attorney, Agent, or Firm—Arthur L. Plevy

[57] **CLAIM**

The ornamental design for a nose ornament for an auto-
mobile, as shown and described.

DESCRIPTION

FIG. 1 is a perspective view of a nose ornament for an
automobile according to my invention.
FIG. 2 is a front elevation view thereof.
FIG. 3 is a rear elevation view thereof.
FIG. 4 is a side elevation view thereof.
FIG. 5 is a top plan view thereof.
FIG. 6 is a bottom plan view thereof.
FIG. 7 is a perspective view thereof on a reduced scale
it being understood that the broken lines are for illustra-
tive purposes only and form no part of the claimed
design.



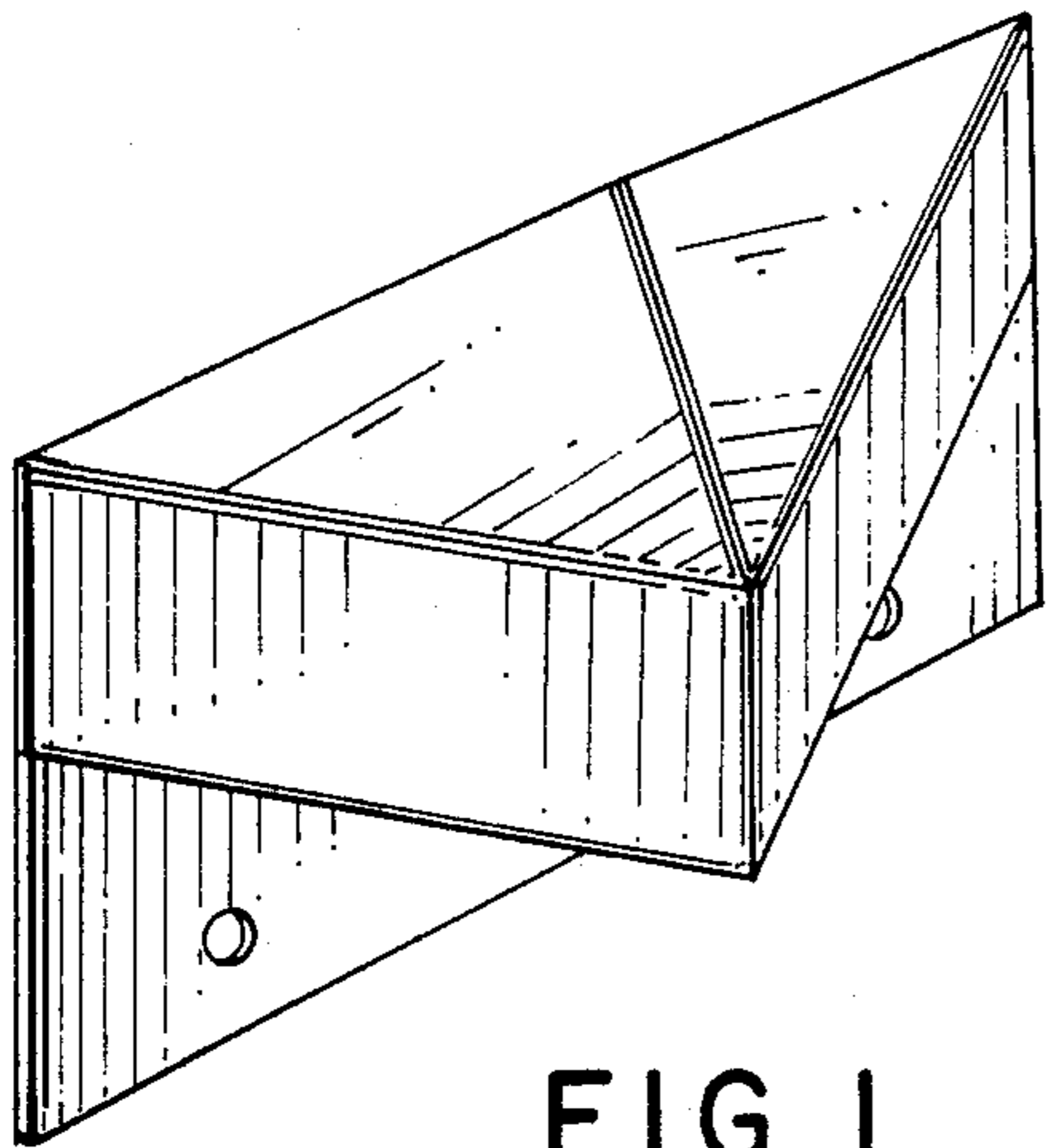


FIG. 1

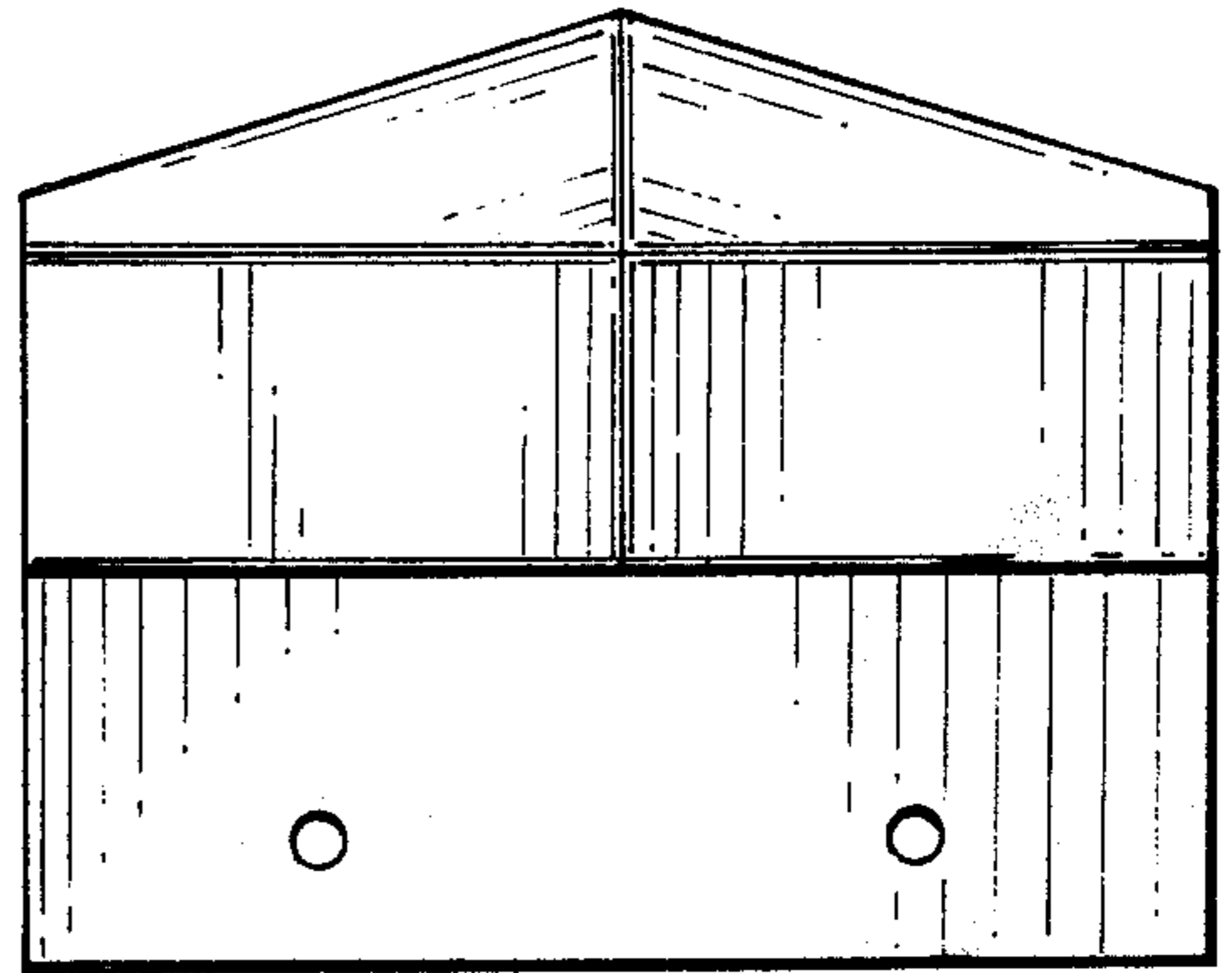


FIG. 2

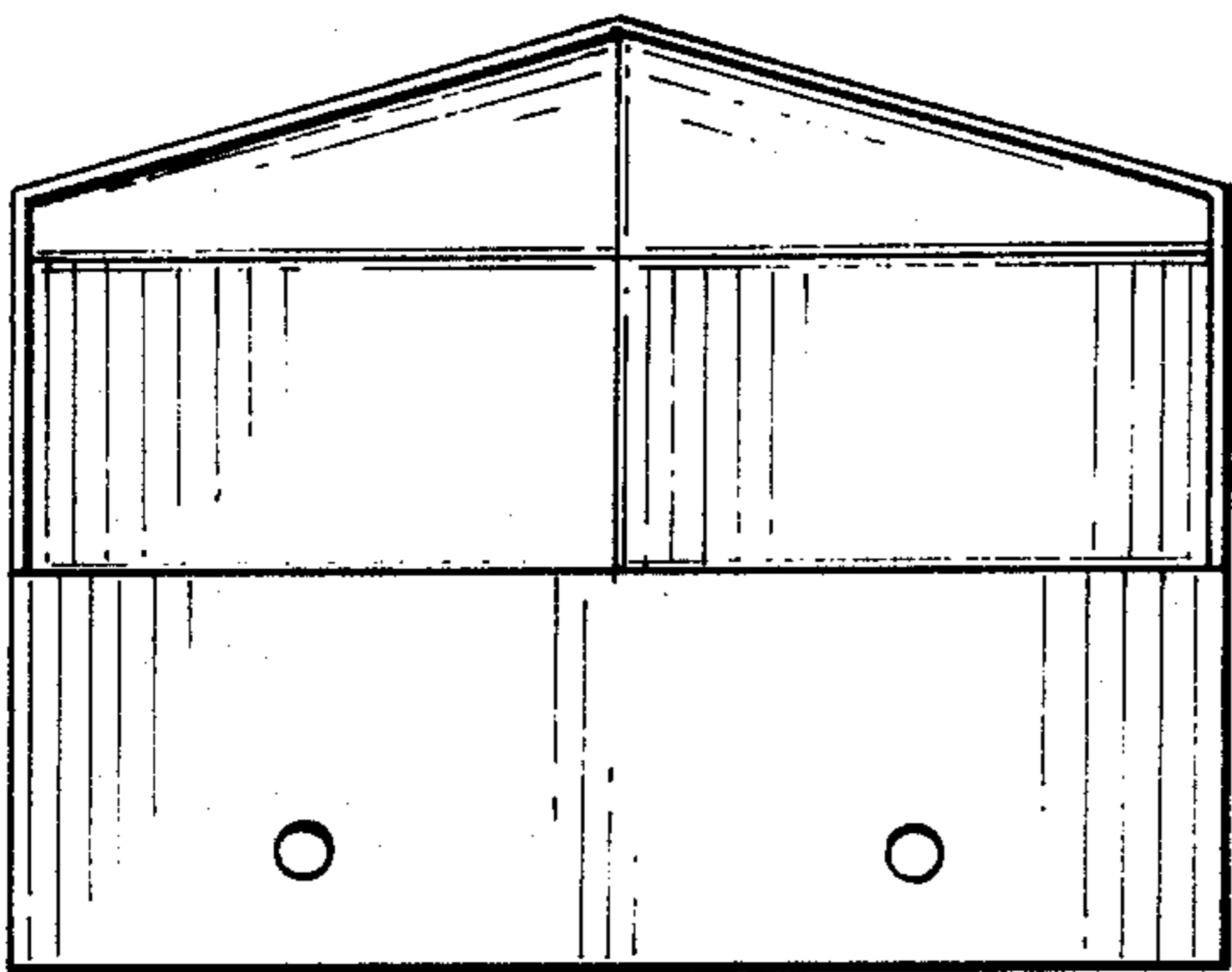


FIG. 3

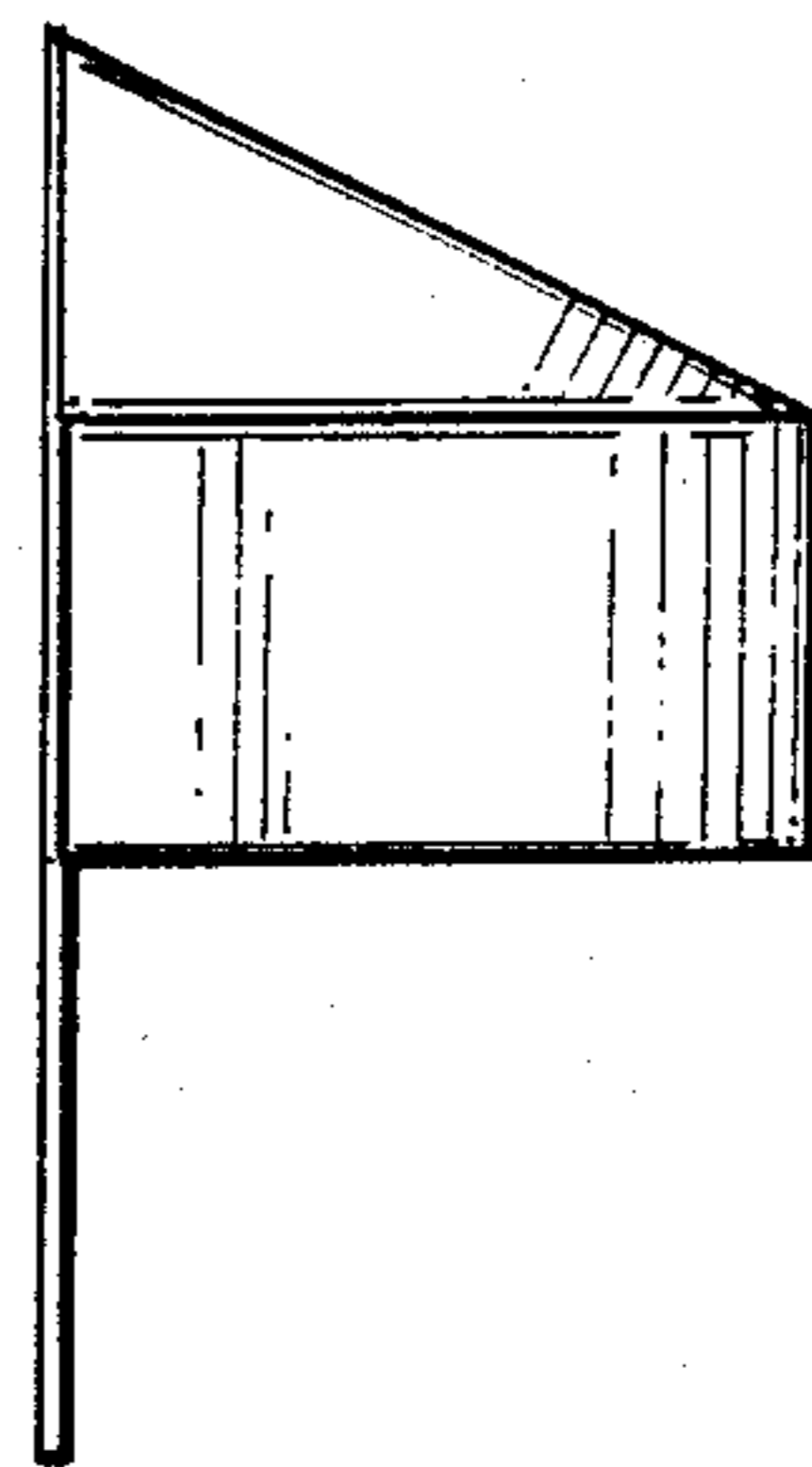


FIG. 4

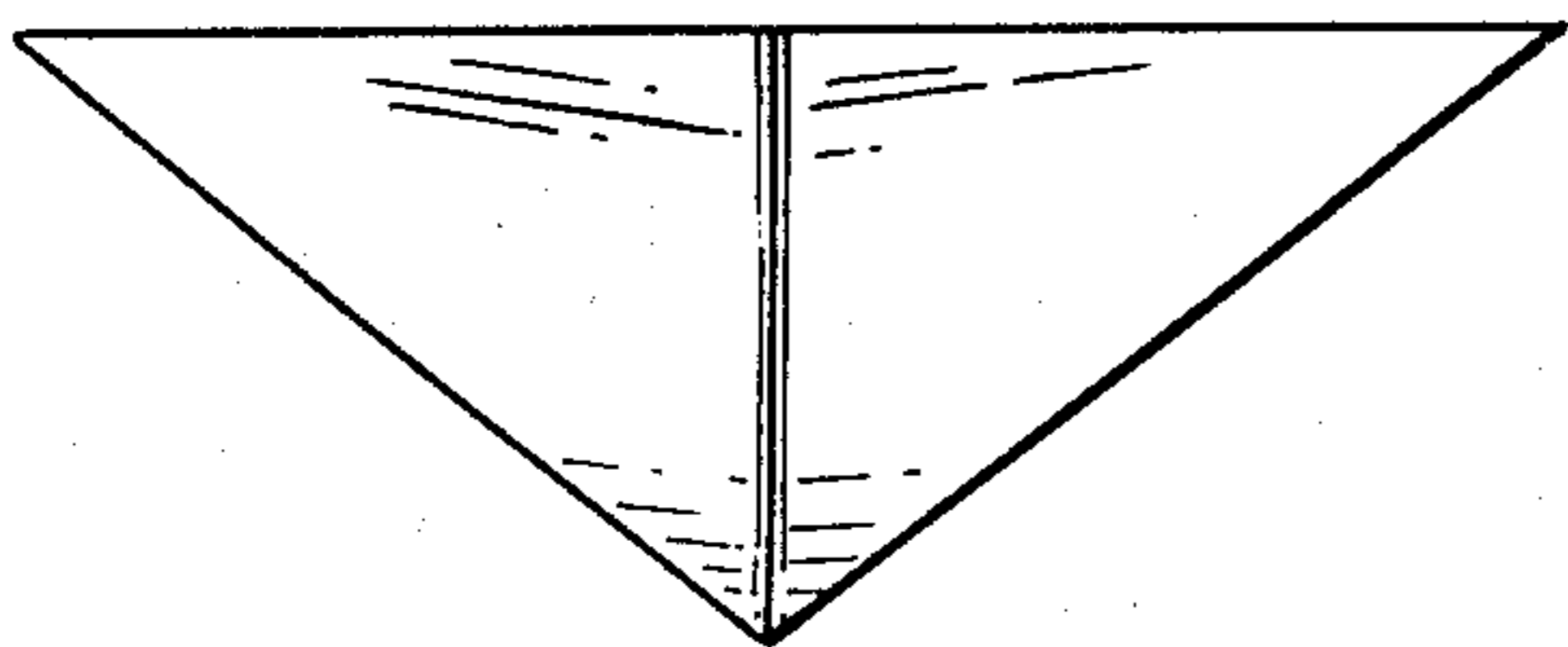


FIG. 5

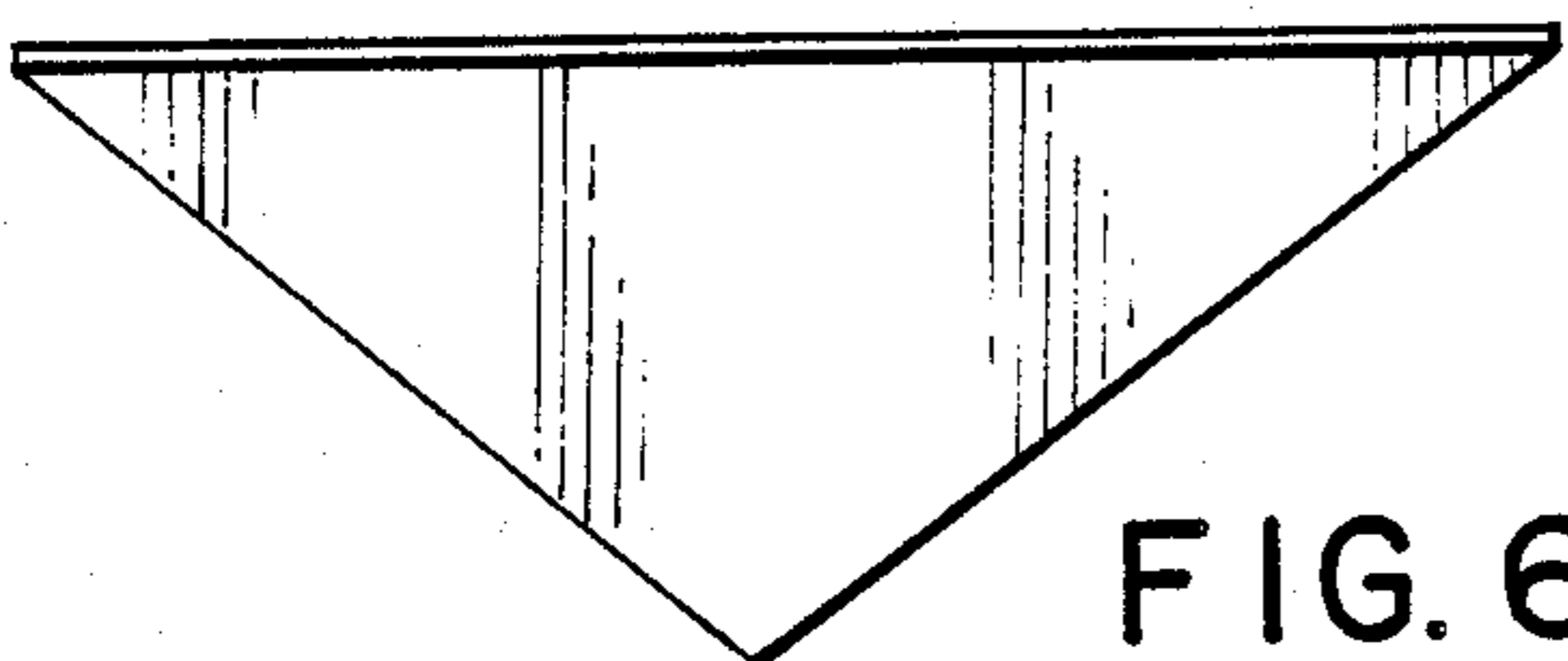


FIG. 6

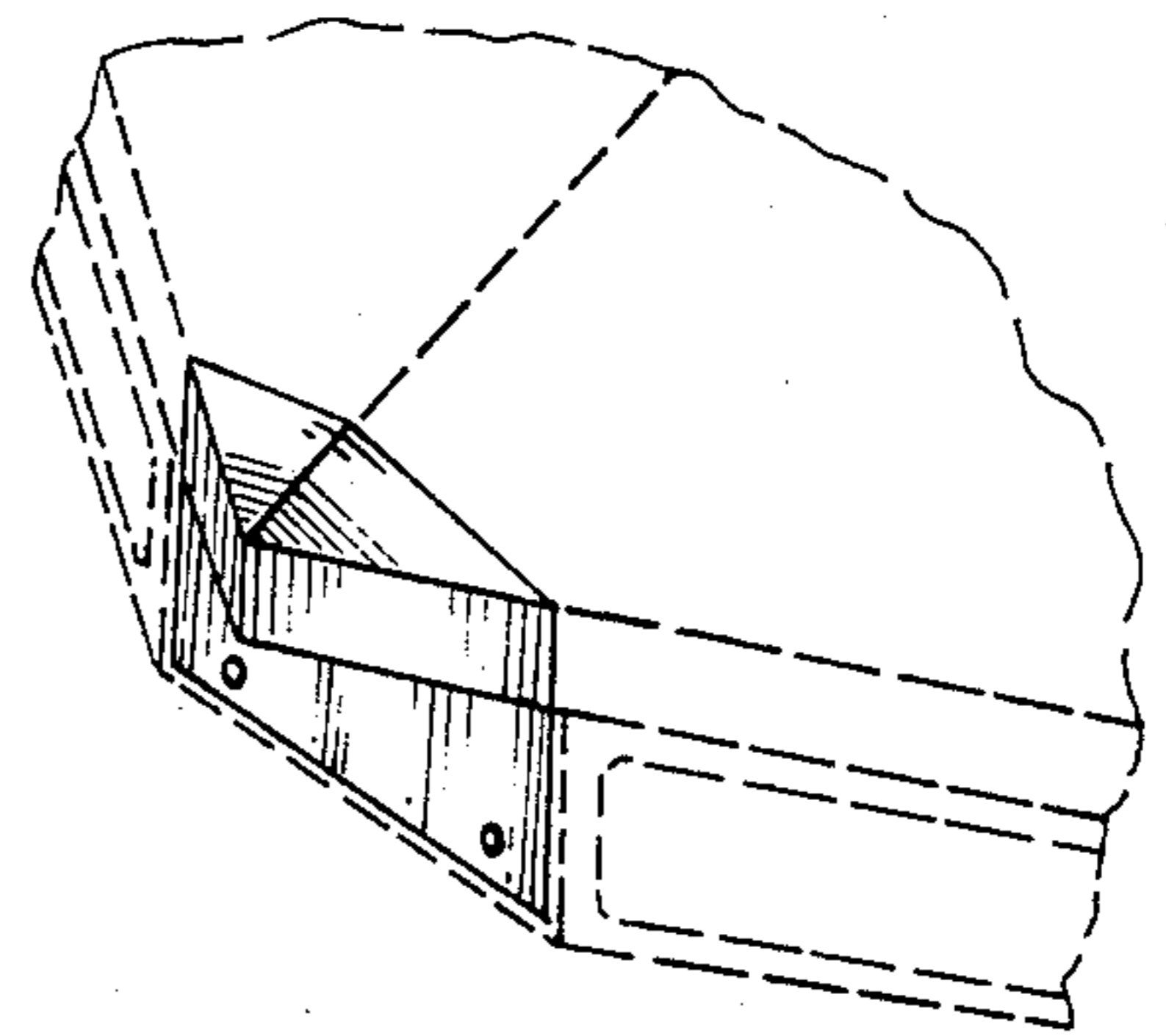


FIG. 7