

[54] LIGHTED VANITY MIRROR WITH HINGED DOORS FOR ATTACHMENT TO THE SUN VISOR OF AN AUTOMOBILE

[75] Inventor: Kwok K. Cheung, Kwai Chung, N.T., Hong Kong

[73] Assignee: Chi Kuan Manufactory Limited, Hong Kong

[**] Term: 14 Years

[21] Appl. No.: 579

[22] Filed: Jan. 2, 1987

[30] Foreign Application Priority Data

Jul. 1, 1986 [GB] United Kingdom 1035080

[52] U.S. Cl. D12/191

[58] Field of Search D12/191; D6/308; 296/97.1, 97.2, 97.4, 92.5, 97.6, 97.7, 97.8, 97.9, 97.11, 97.12; 362/136, 137

[56] References Cited

U.S. PATENT DOCUMENTS

D. 213,240 1/1969 Litner D6/308

D. 262,664 1/1982 Willits, Jr. D6/308
D. 278,996 5/1985 Cheung D12/191
D. 292,652 11/1987 Muller et al. D6/308

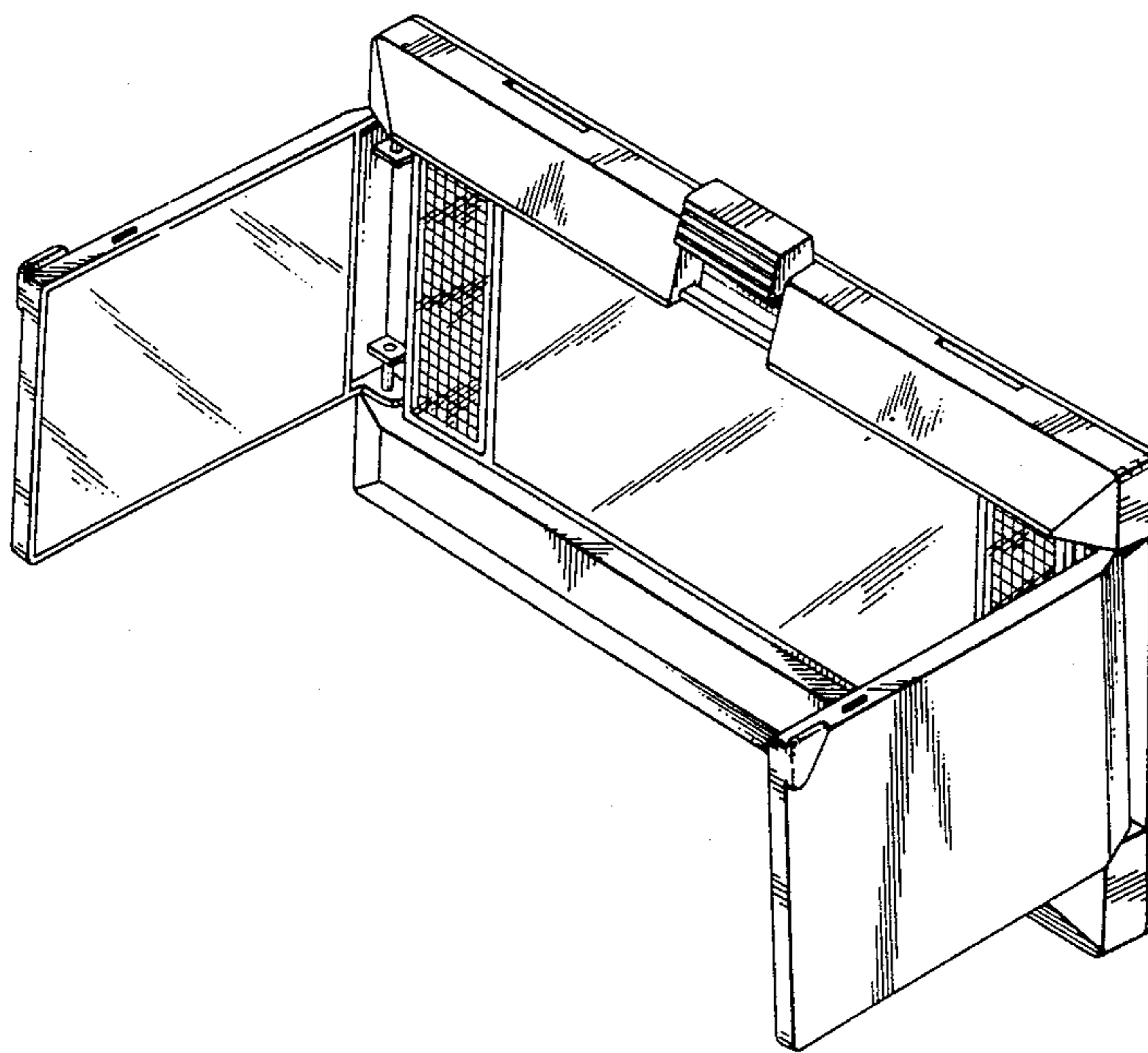
Primary Examiner—James M. Gandy
Attorney, Agent, or Firm—Wenderoth, Lind & Ponack

[57] CLAIM

The ornamental design for a lighted vanity mirror with hinged doors for attachment to the sun visor of an automobile, as shown and described.

DESCRIPTION

FIG. 1 is a front perspective view from above and one side of the lighted vanity mirror with hinged doors for attachment to the sun visor of an automobile showing my new design with the doors in open condition and the light switch in the on position;
FIG. 2 is a rear elevation view thereof;
FIG. 3 is a bottom plan view thereof;
FIG. 4 is a side elevation view thereof;
FIG. 5 is a front perspective view thereof with the doors in closed condition and the light switch in the off position;
FIG. 6 is a front elevation view thereof.



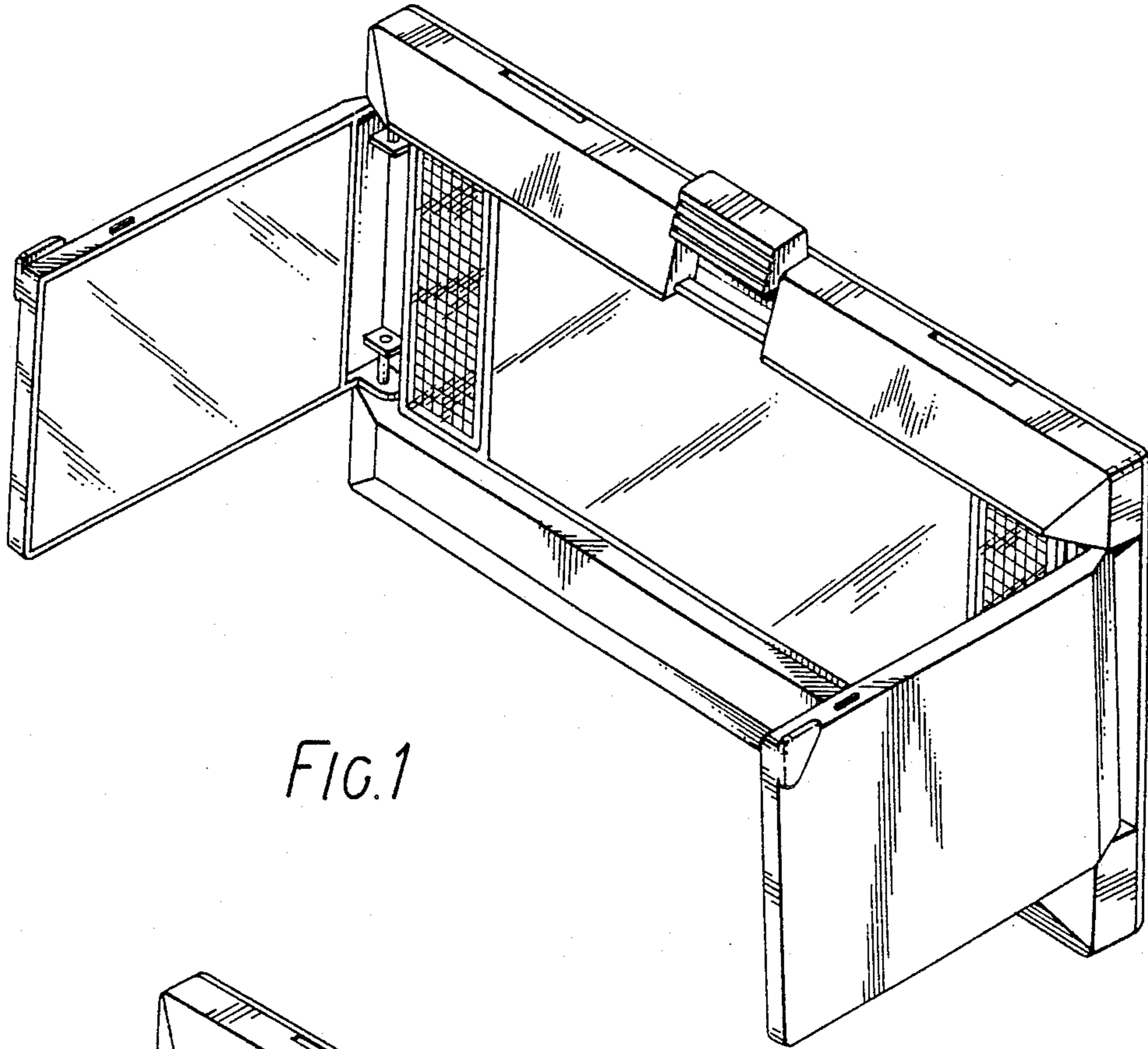


FIG. 1

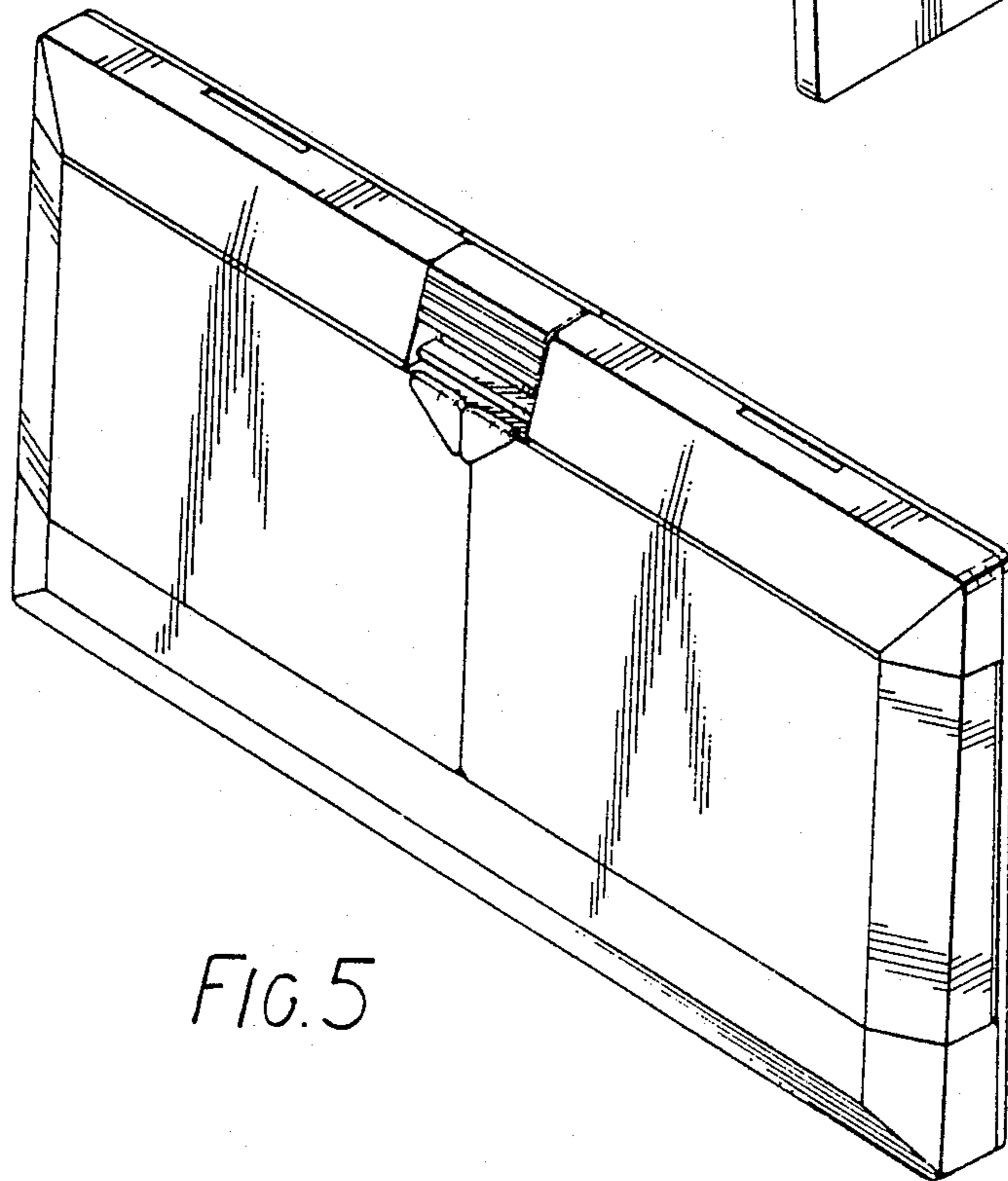


FIG. 5

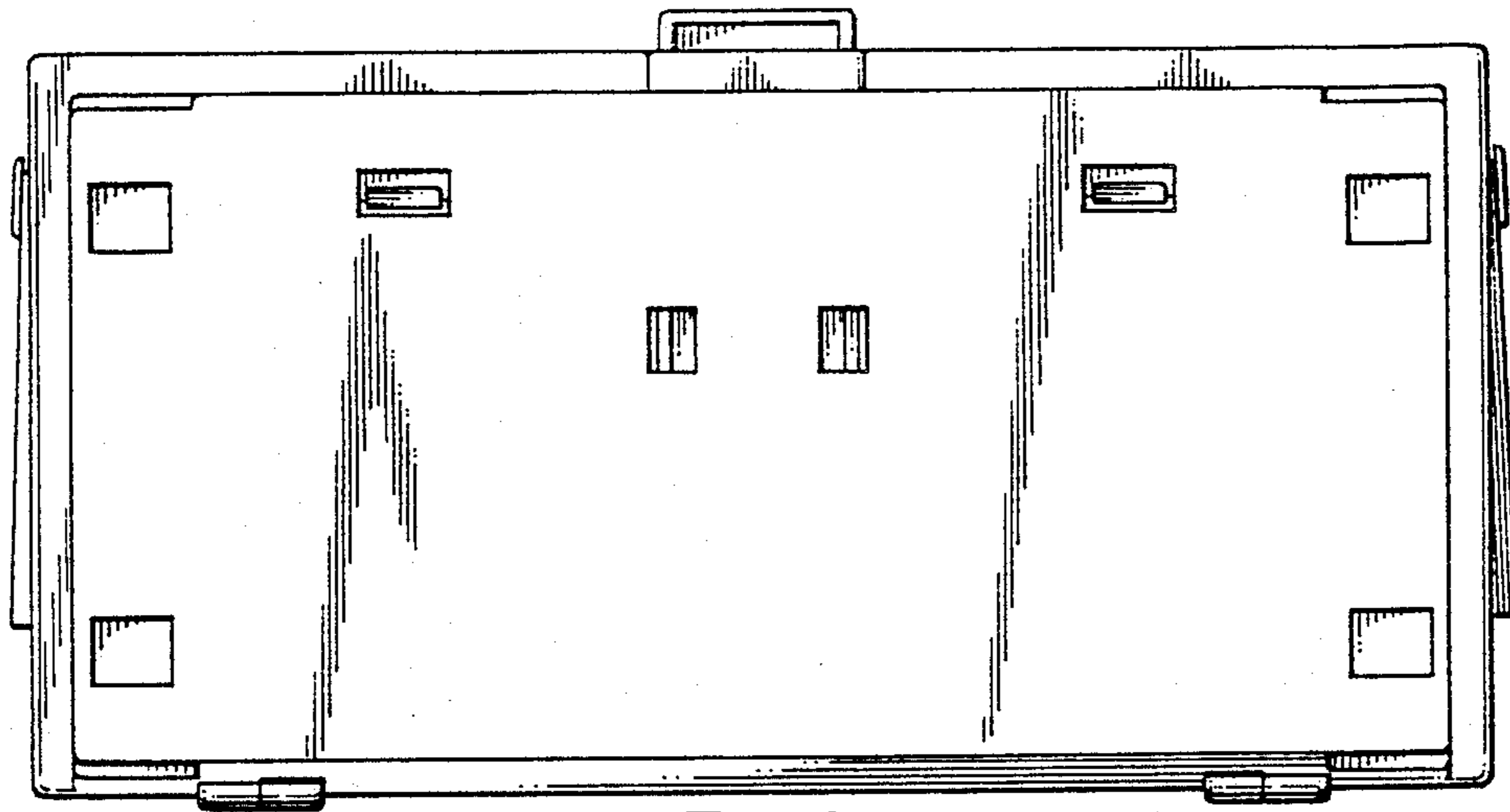


FIG. 2

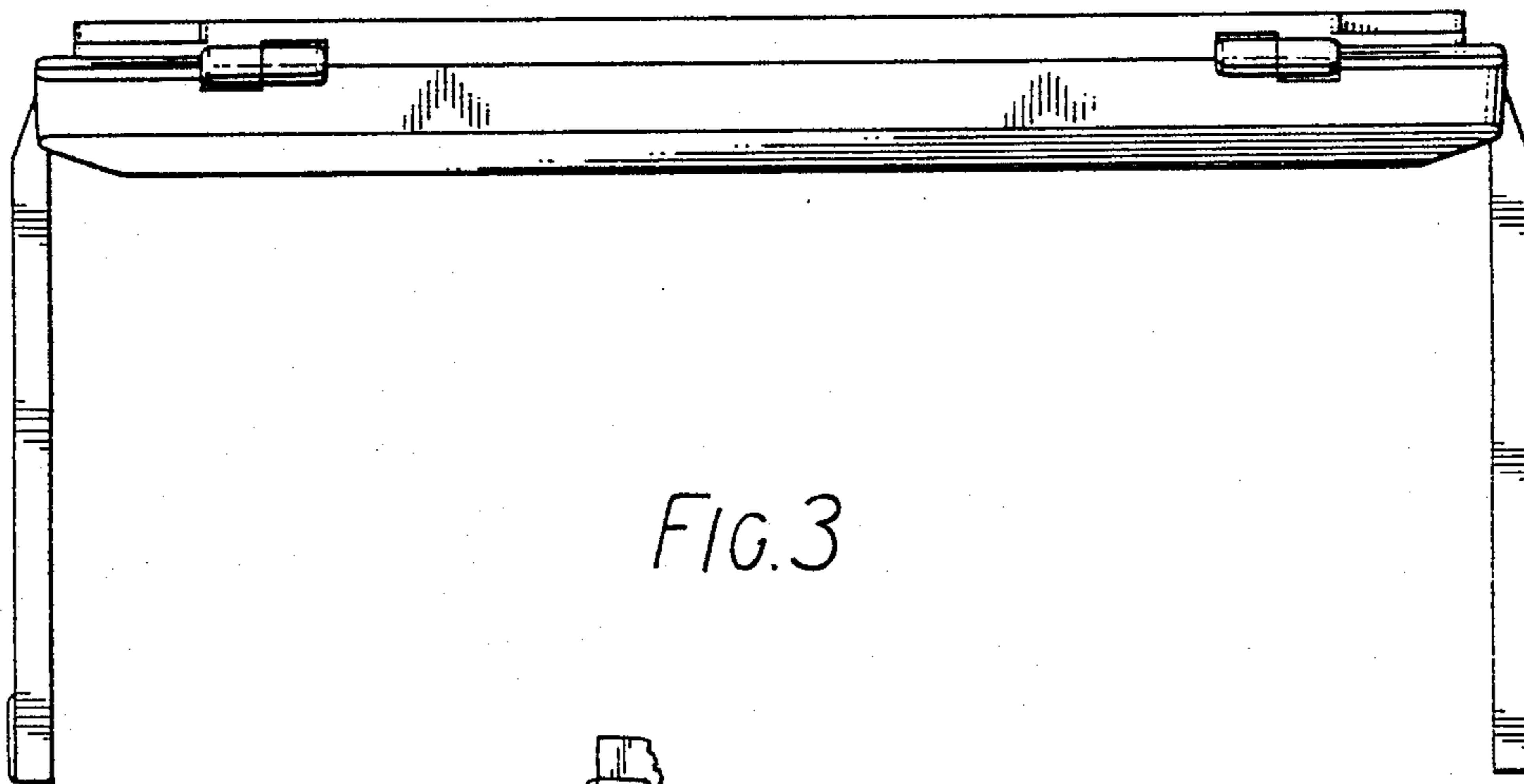
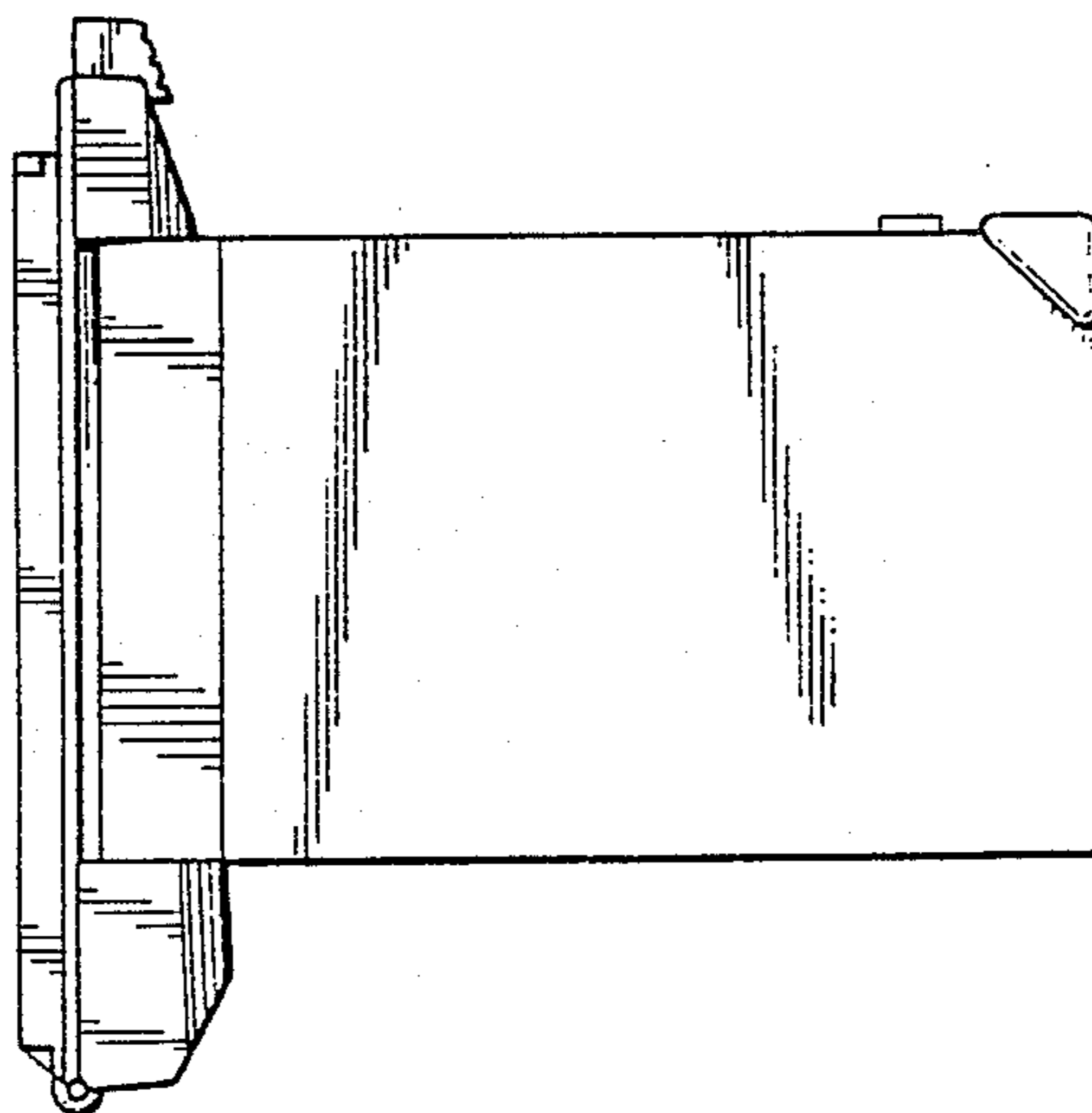


FIG. 3

FIG. 4



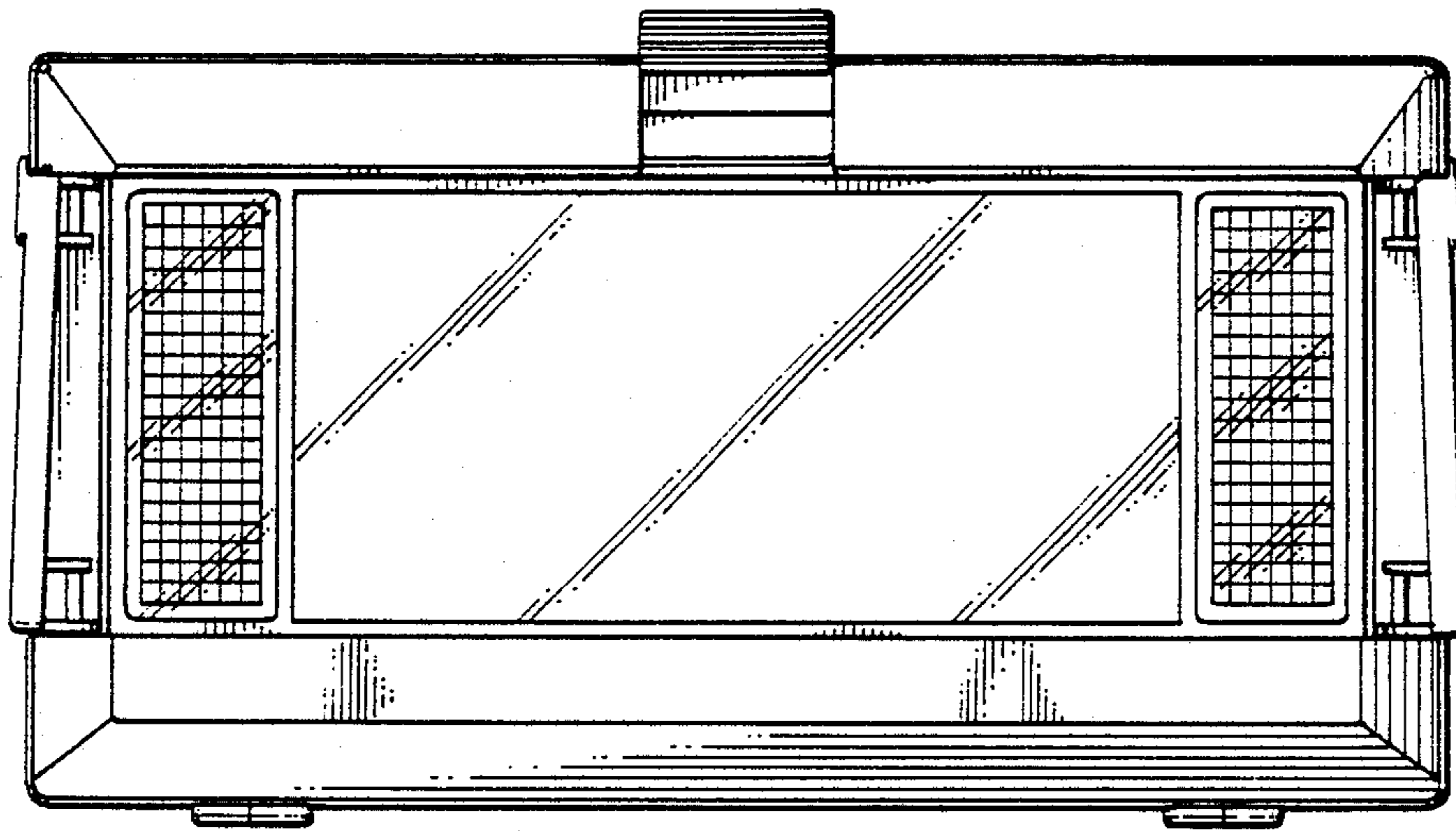


FIG. 6