

[54] MOBILE SALON

[76] Inventor: Michael Phillips, P.O. Box 35393,
Houston, Tex. 77235-5395

[**] Term: 14 Years

[21] Appl. No.: 826,724

[22] Filed: Feb. 6, 1986

[52] U.S. Cl. D12/1; D28/20;
D23/289; D6/397; D6/399

[58] Field of Search D12/1; D34/23; D6/335,
D6/336, 360, 365, 397, 399; D23/289, 271, 272,
273, 274; D28/20, 9; 280/47.34, 47.4; 4/515,
517, 518, 519, 520-523

3,192,537 7/1965 Coffman et al. D23/289
4,081,867 4/1978 Simeola 4/522
4,587,680 5/1986 Brügger 4/515
4,660,233 4/1987 Beaver 4/517

FOREIGN PATENT DOCUMENTS

1554035 11/1969 Fed. Rep. of Germany 4/517

Primary Examiner—Wallace R. Burke
Assistant Examiner—Kay H. Chin
Attorney, Agent, or Firm—Baker, Kirk & Bissex

[57] CLAIM

The ornamental design for a mobile salon, as shown and described.

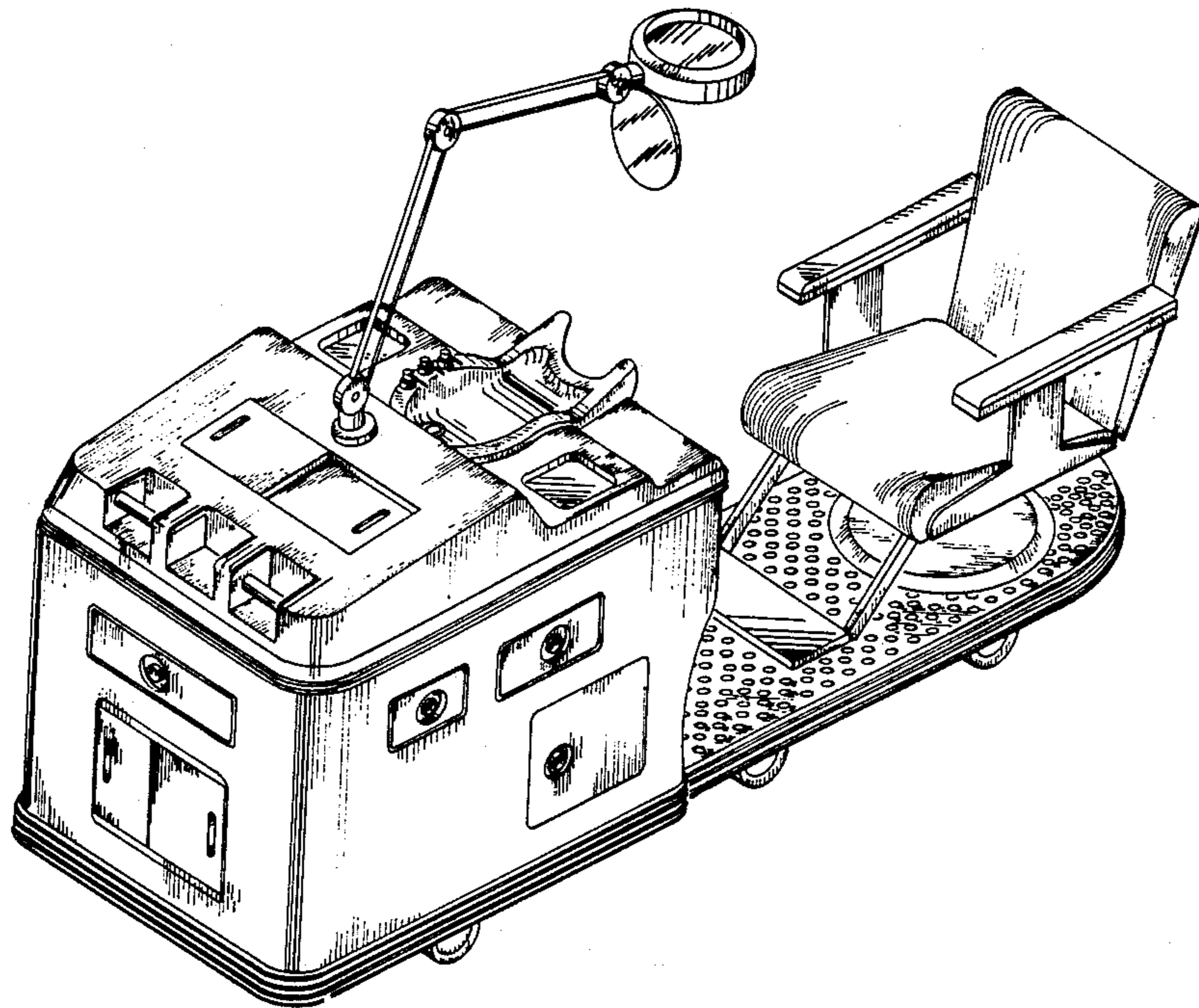
DESCRIPTION

FIG. 1 is a top plan view of a mobile salon showing my new design;
FIG. 2 is a left side elevational view thereof;
FIG. 3 is a rear elevational view thereof; and
FIG. 4 is a front, right side perspective view thereof.

[56] References Cited

U.S. PATENT DOCUMENTS

D. 195,396	6/1963	Barkus	D28/20
D. 208,544	9/1967	Goodwin	D6/335
2,682,058	6/1954	Wolfe	4/516



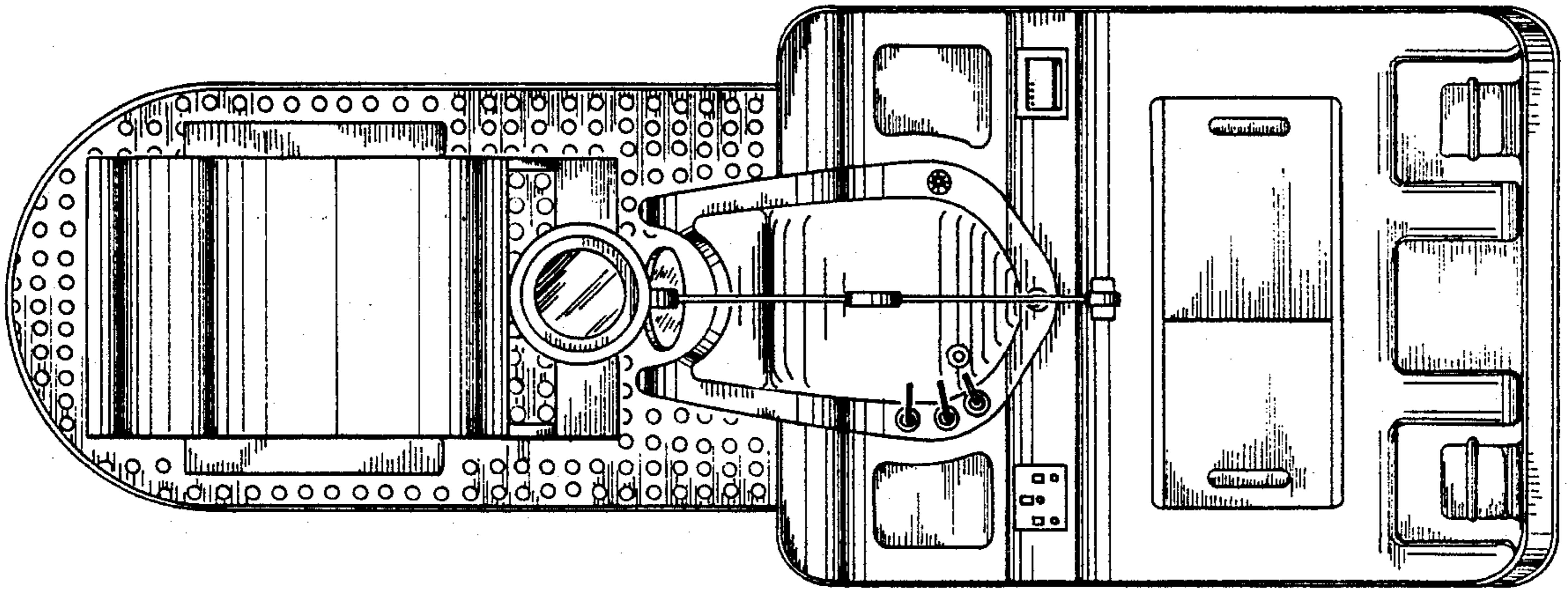


FIG. 1

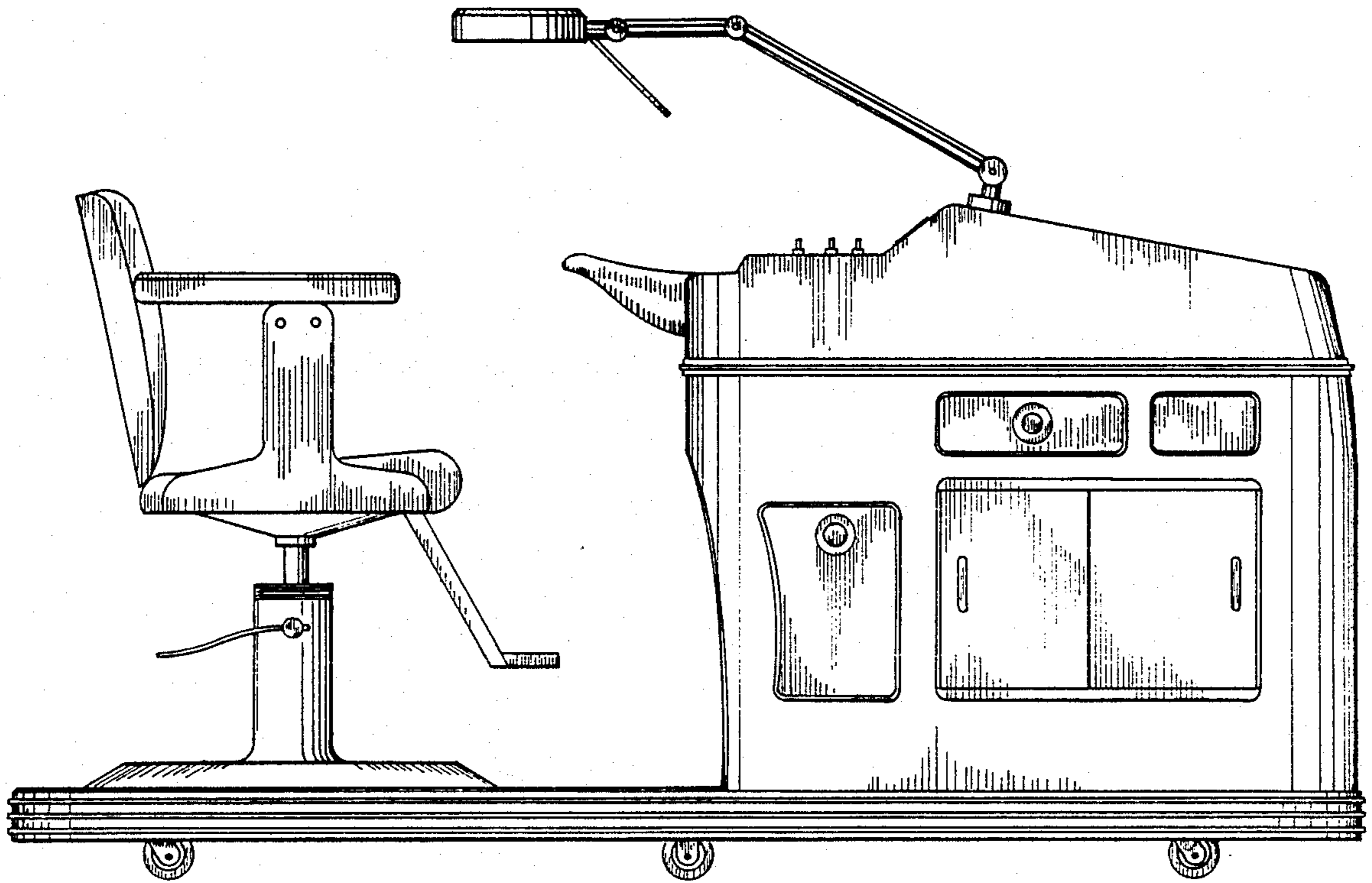


FIG. 2

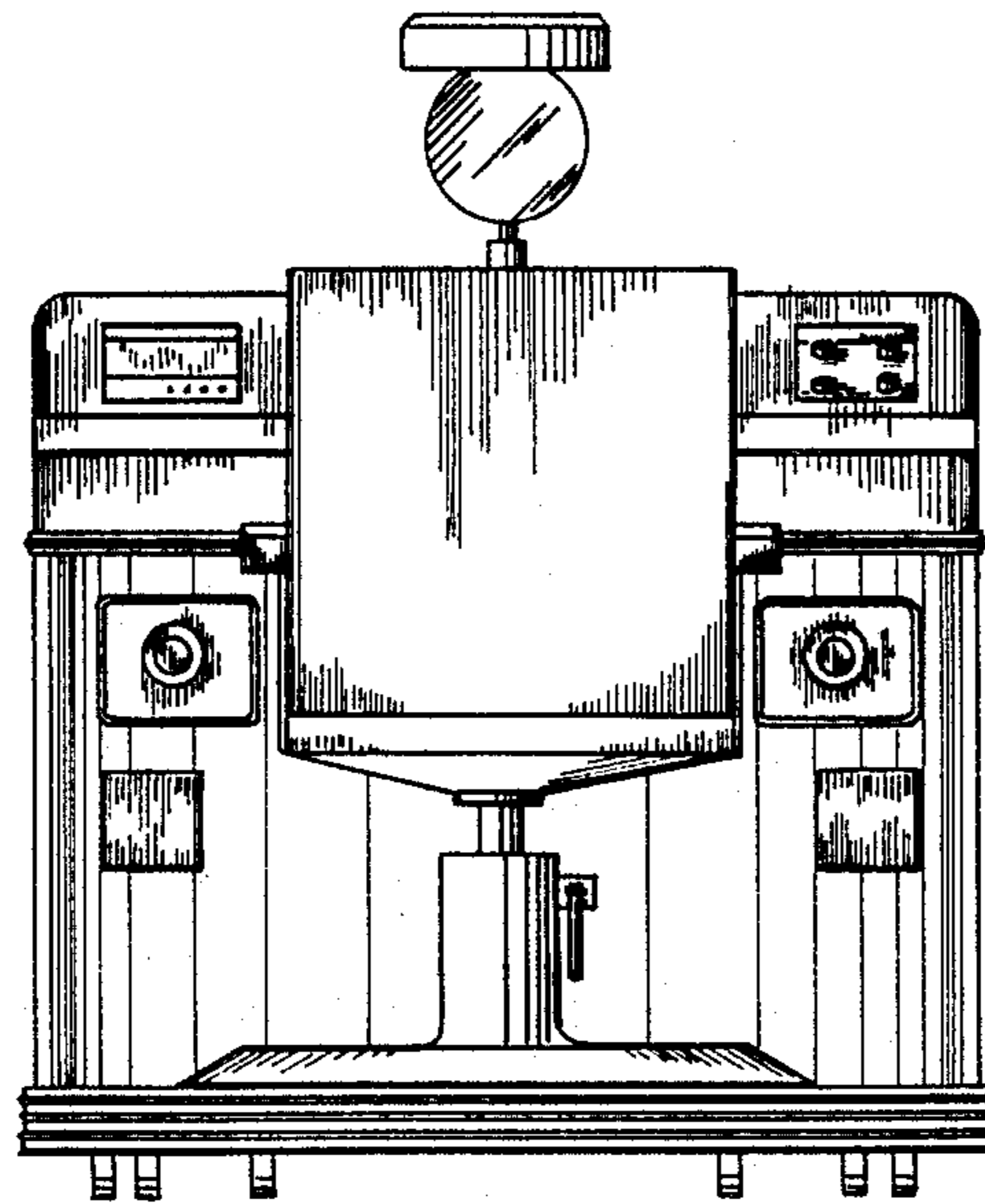


FIG 3

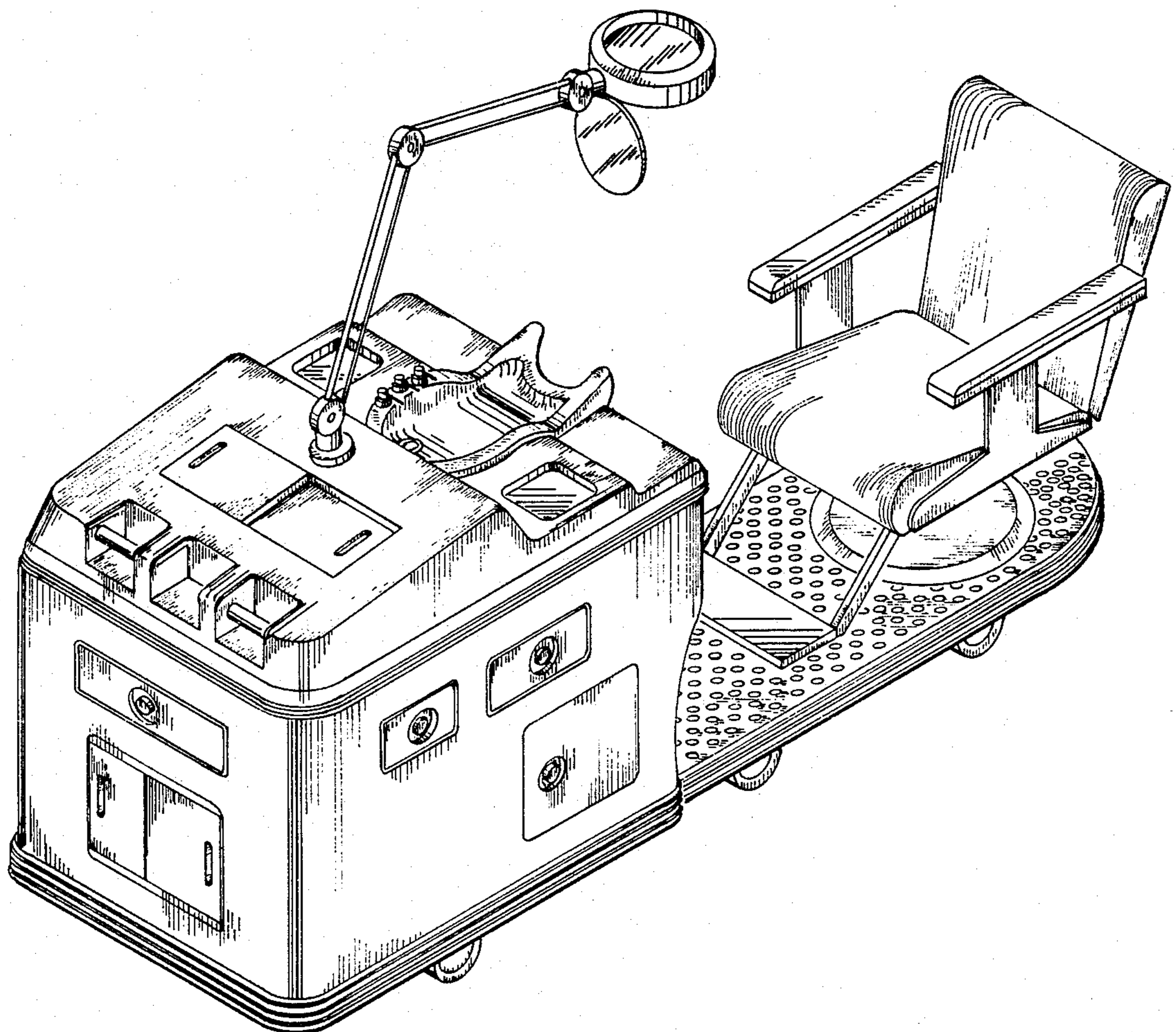


FIG 4