

[54] PULL TAB OF SLIDER FOR SLIDE FASTENER

[75] Inventor: Sadaho Asahi, Uozu, Japan

[73] Assignee: Yoshida Kogyo K.K., Tokyo, Japan

[**] Term: 14 Years

[21] Appl. No.: 15,967

[22] Filed: Feb. 18, 1987

[30] Foreign Application Priority Data

Mar. 11, 1986 [JP] Japan D61-8674
 [52] U.S. Cl. D11/221
 [58] Field of Search D11/201, 200, 221;
 24/381, 385, 415, 417, 427-431

[56] References Cited

U.S. PATENT DOCUMENTS

D. 93,204 9/1934 Carlile D11/221
 D. 119,153 2/1940 Bowder D11/200

Primary Examiner—Louis S. Zarfes
 Assistant Examiner—R. T. Seifert
 Attorney, Agent, or Firm—Hill, Van Santen, Steadman & Simpson

[57] CLAIM

The ornamental design for pull tab of slider for slide fastener, as shown and described.

DESCRIPTION

FIG. 1 is a frontal elevational view of a pull tab of slider for slide fastener showing my new design;
 FIG. 2 is a rear elevational view;
 FIG. 3 is a top plan view;
 FIG. 4 is a bottom plan view;
 FIG. 5 is a right side elevational view;
 FIG. 6 is a cross-sectional view taken on line 6—6; and
 FIG. 7 is a cross-sectional view taken on line 7—7.

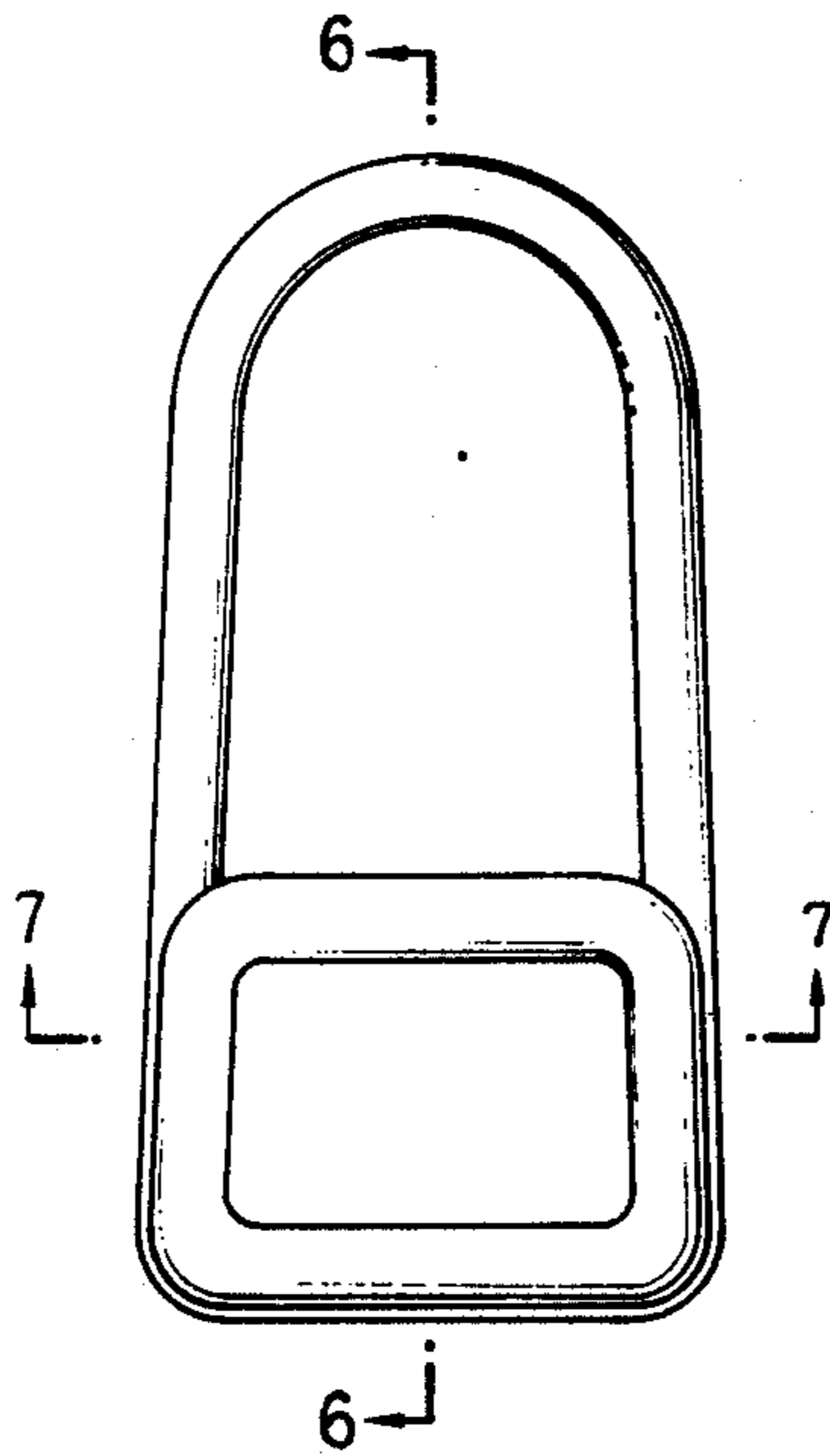


FIG. 1

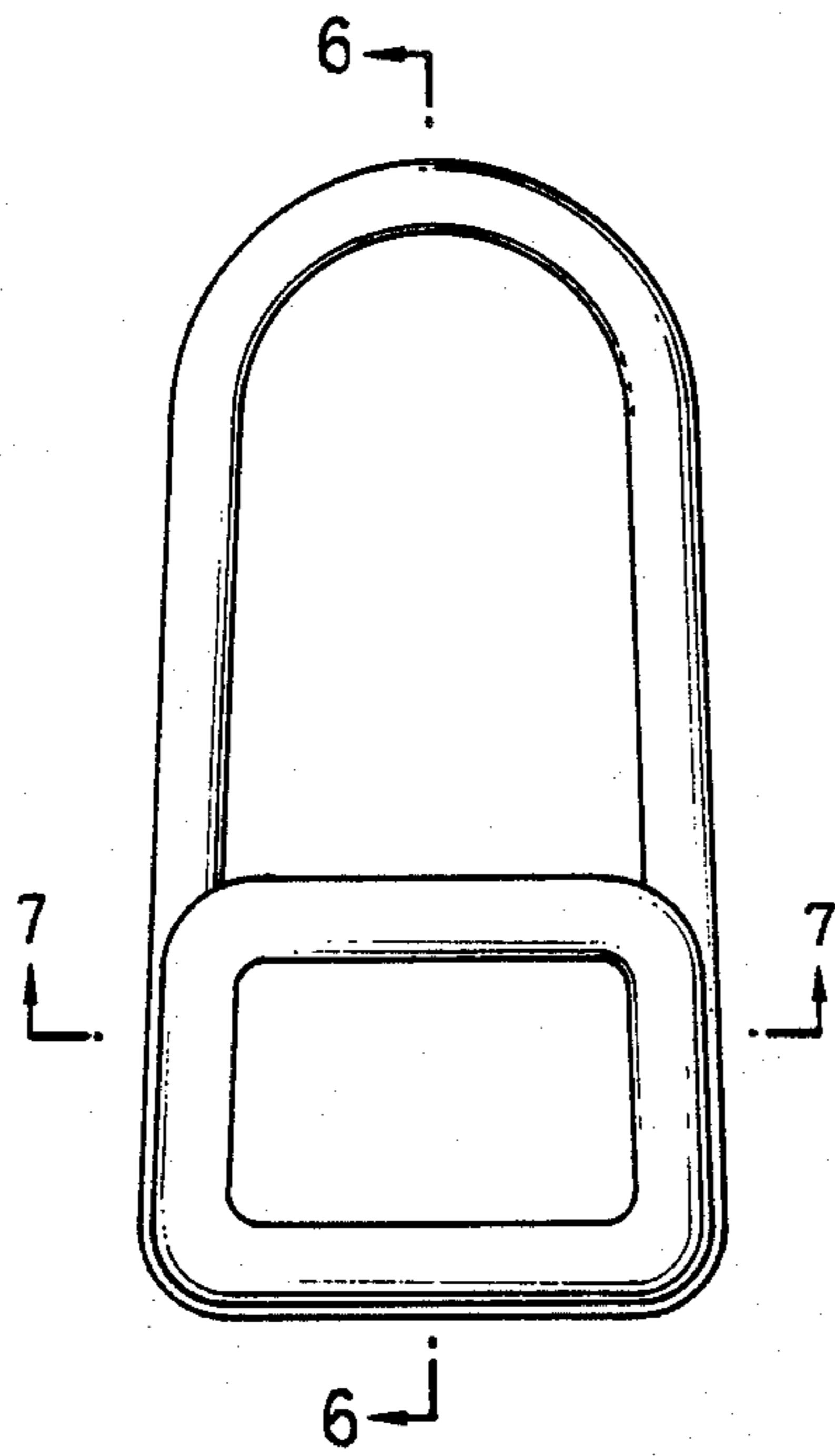


FIG. 2

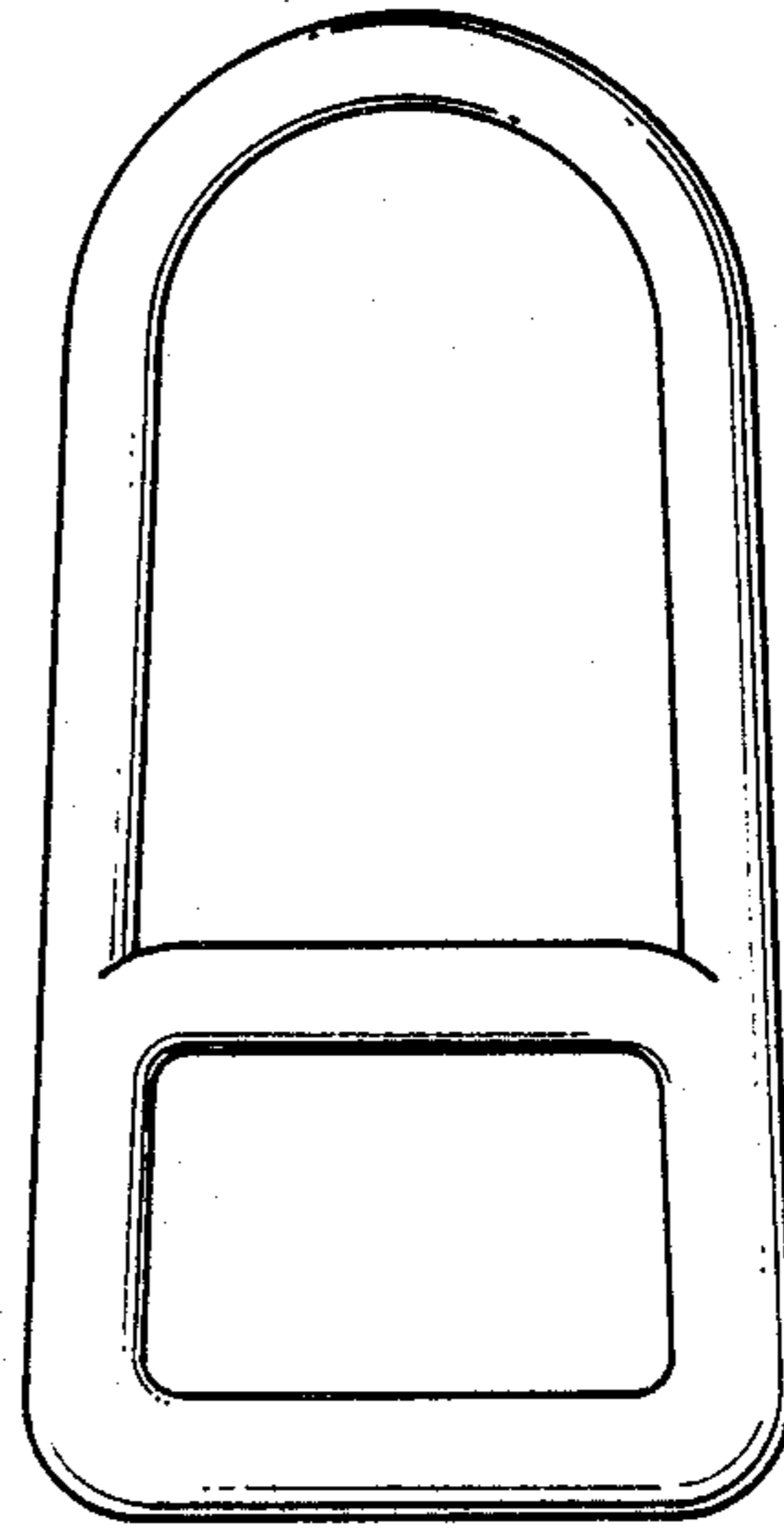


FIG. 3

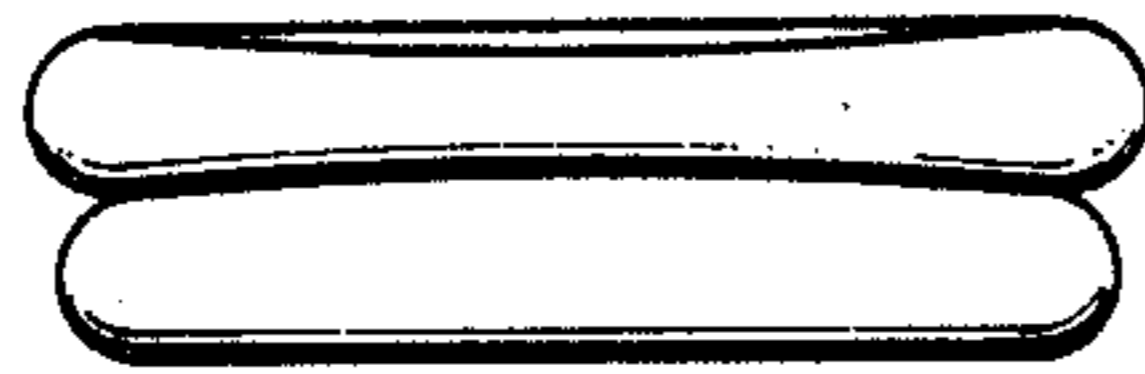


FIG. 4

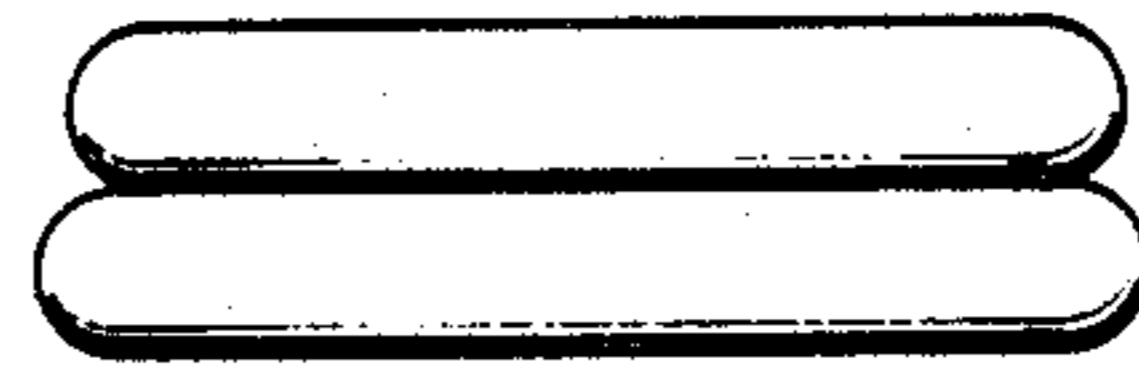


FIG. 5



FIG. 6

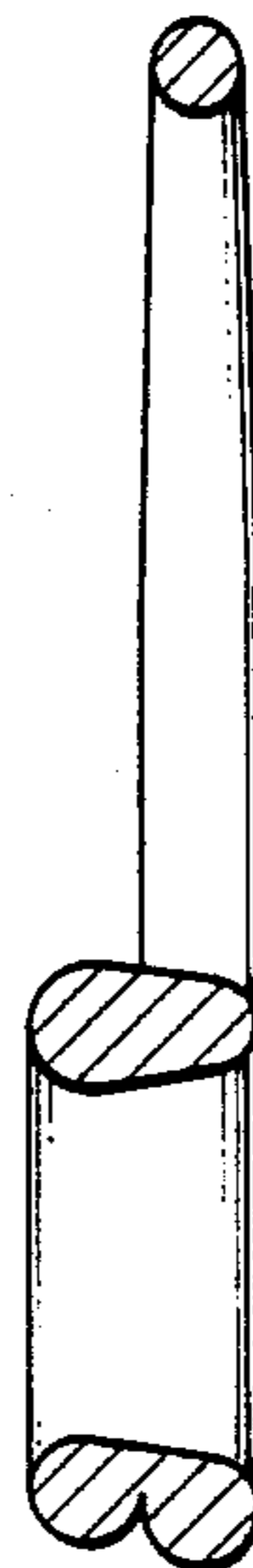


FIG. 7

