

[54] COLLAPSIBLE CARGO CONTAINER

4,418,627 12/1983 Baker 312/108

[76] Inventor: Gerald A. Dixon, 101 Candelite Cir., McMurray, Pa. 15317

Primary Examiner—Bernard Ansher
Assistant Examiner—Prabhakar Deshmukh
Attorney, Agent, or Firm—William J. Ruano

[**] Term: 14 Years

[21] Appl. No.: 933,599

[57] CLAIM

The ornamental design for a collapsible cargo container, as shown and described.

[22] Filed: Nov. 21, 1986

[52] U.S. Cl. D9/424

DESCRIPTION

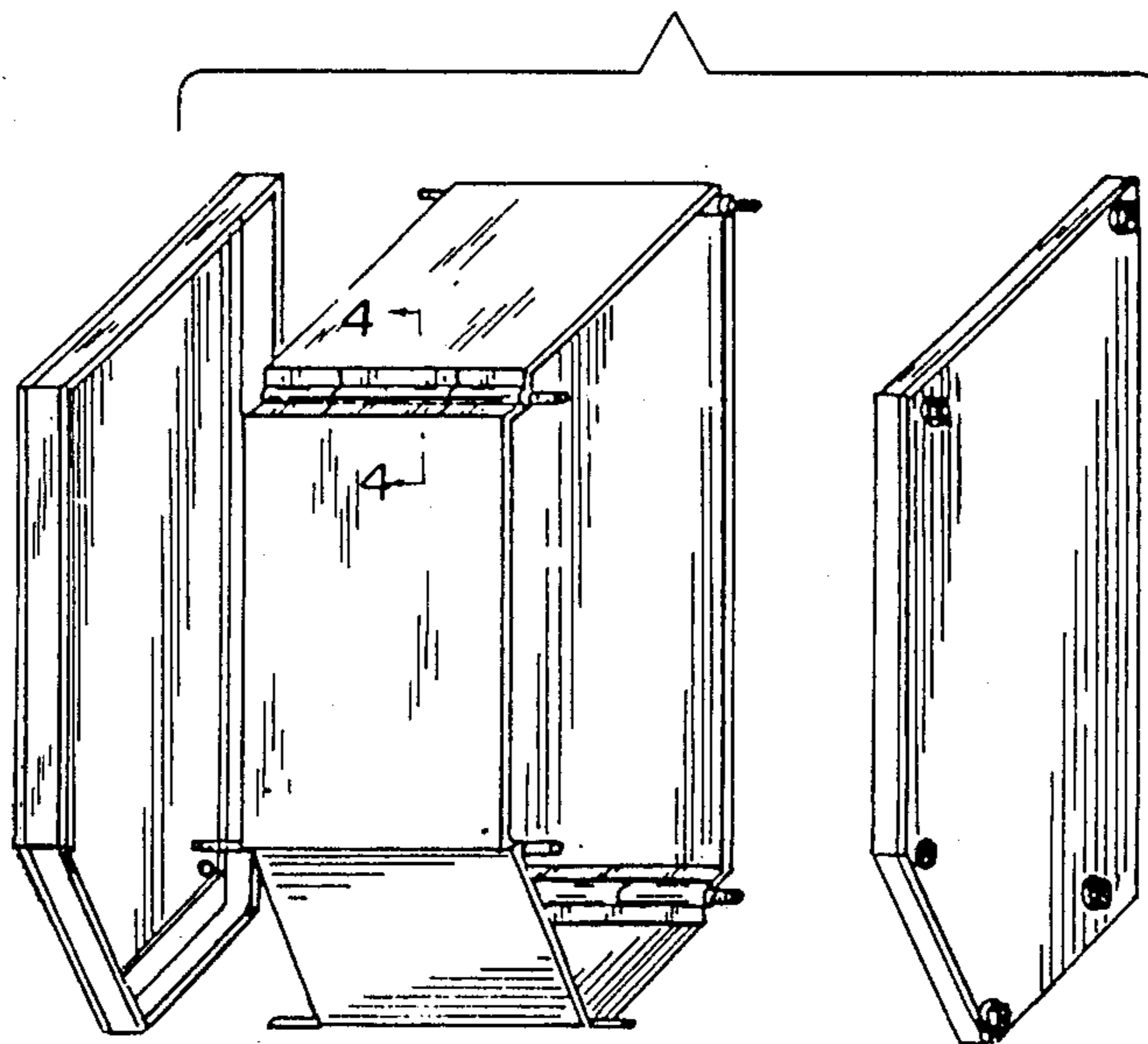
[58] Field of Search D9/424, 429, 430;
206/261, 278; 229/108, 50, 125.38; 220/4 C, 4
F, 71; 312/108, 109, 107, 257 A, 284; 217/69

FIG. 1 is a top perspective view of a collapsible cargo container showing my new design;
FIG. 2 is an exploded perspective view thereof;
FIG. 3 is an enlarged, fragmentary sectional view of one of the bolts of FIG. 1;
FIG. 4 is a sectional view taken along line 4—4 of FIG. 2;
FIG. 5 is a sectional view taken along line 5—5 of FIG. 1; and
FIG. 6 is an enlarged, exploded perspective view of a hinged corner typical of all corners thereof.

[56] References Cited

U.S. PATENT DOCUMENTS

2,919,045	12/1959	Waugh et al.	220/4 C
2,942,749	6/1960	Rosenberg	220/4 F
3,253,871	5/1966	Karper	312/284
3,435,575	4/1969	Pottiez	312/284
3,450,293	6/1969	Seda et al.	220/4 F
3,527,340	9/1970	Cipolla	206/278



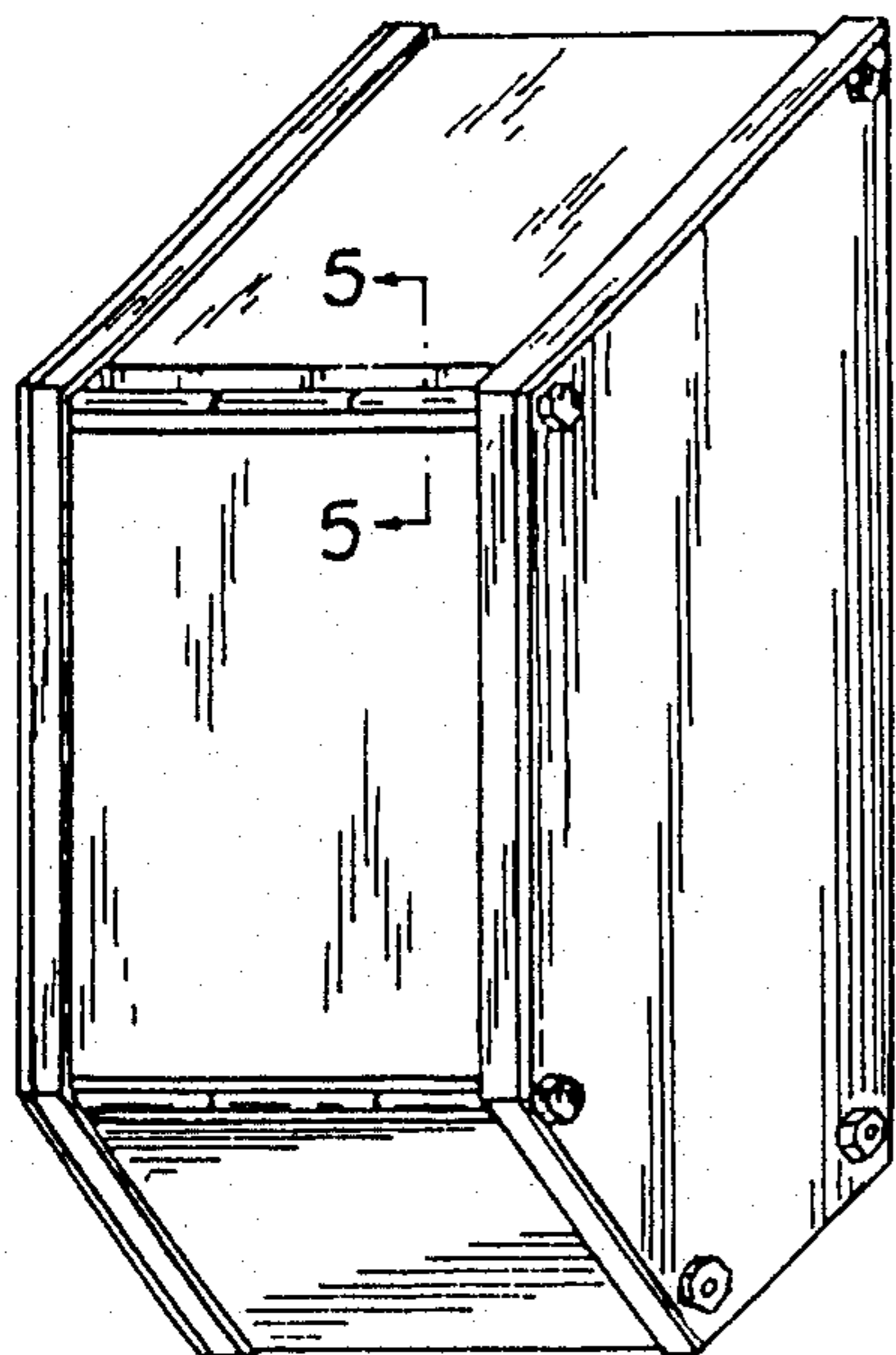


Fig. 1

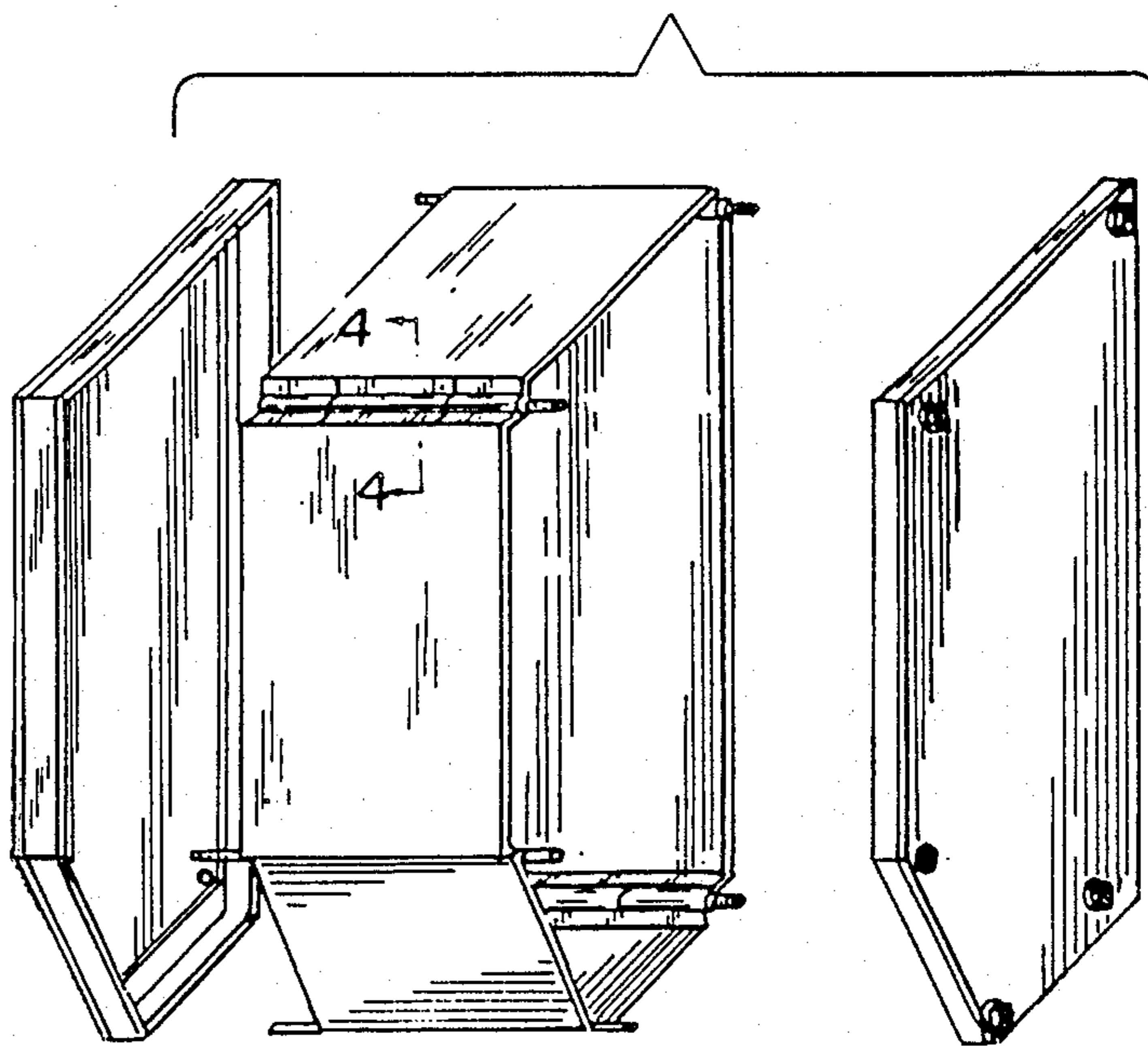


Fig. 2

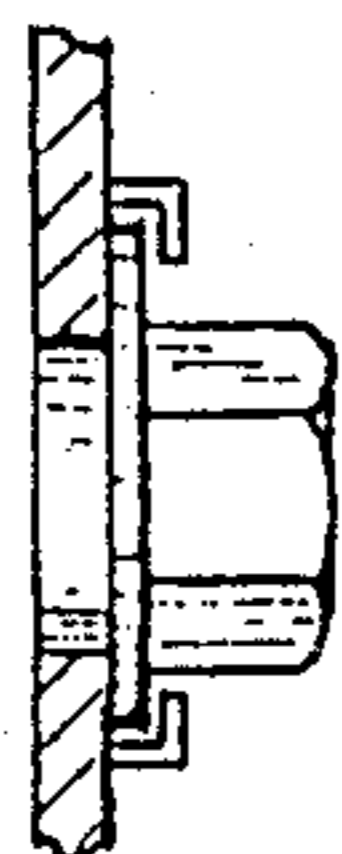


Fig. 3

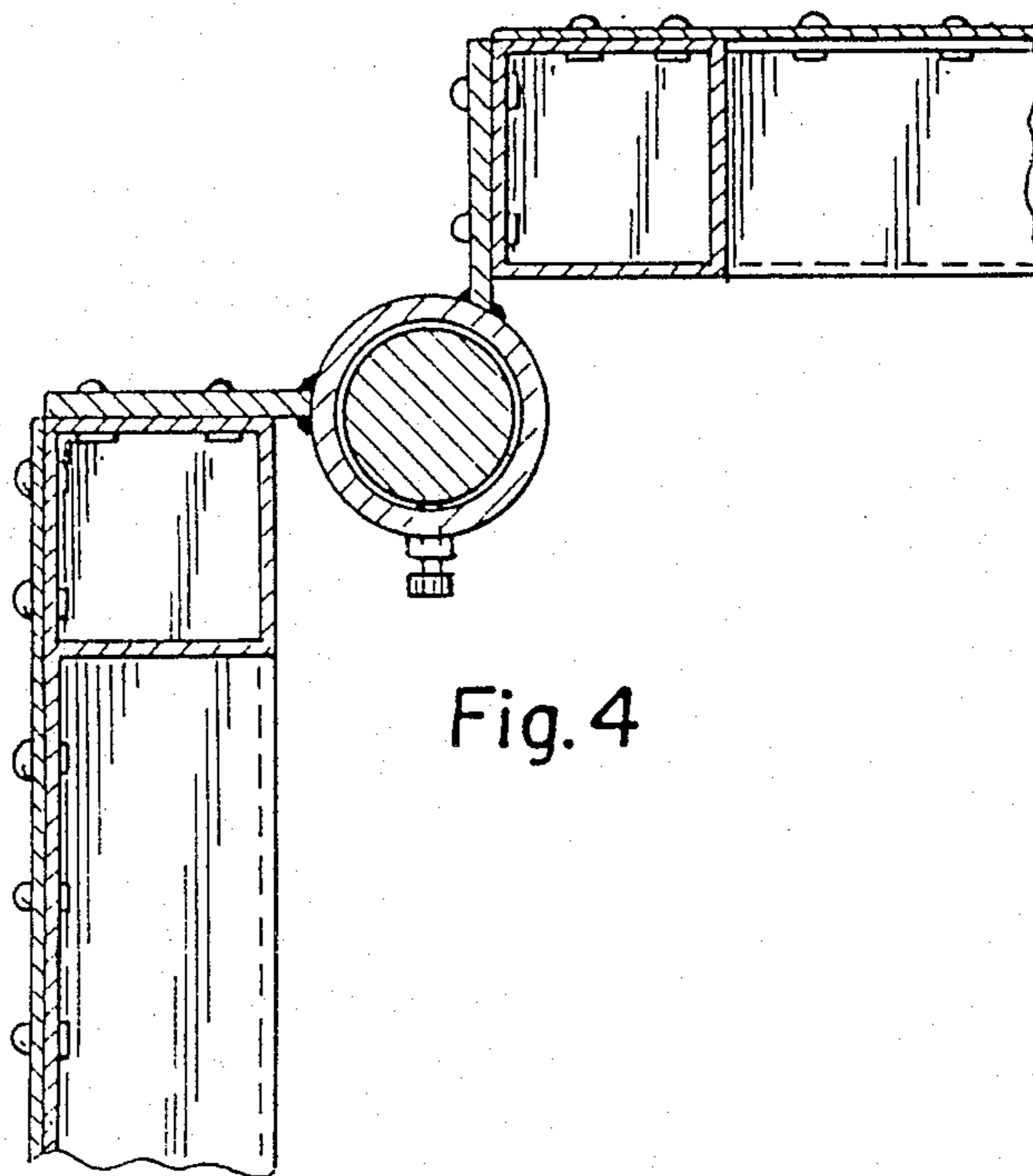


Fig. 4

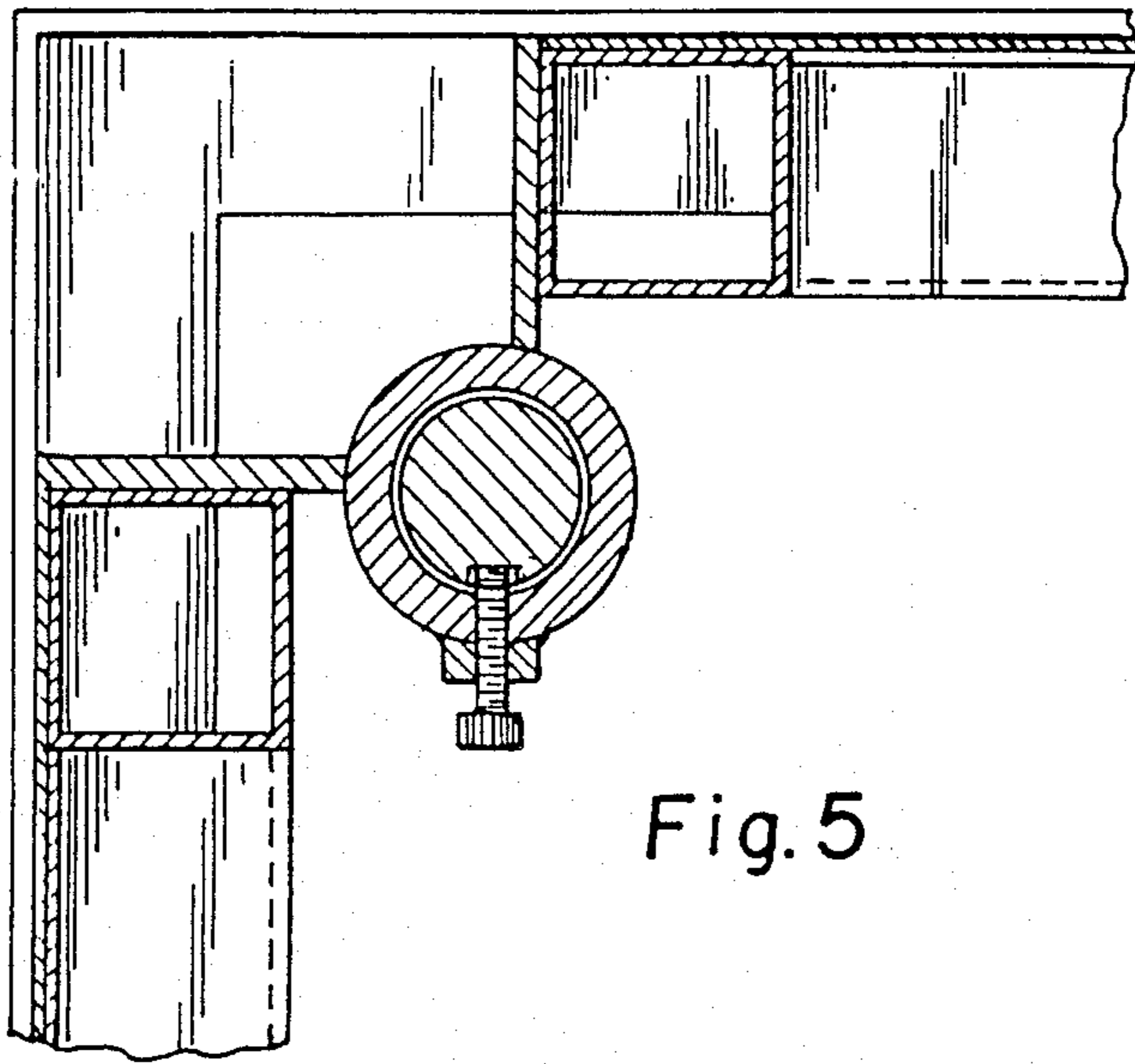


Fig. 5

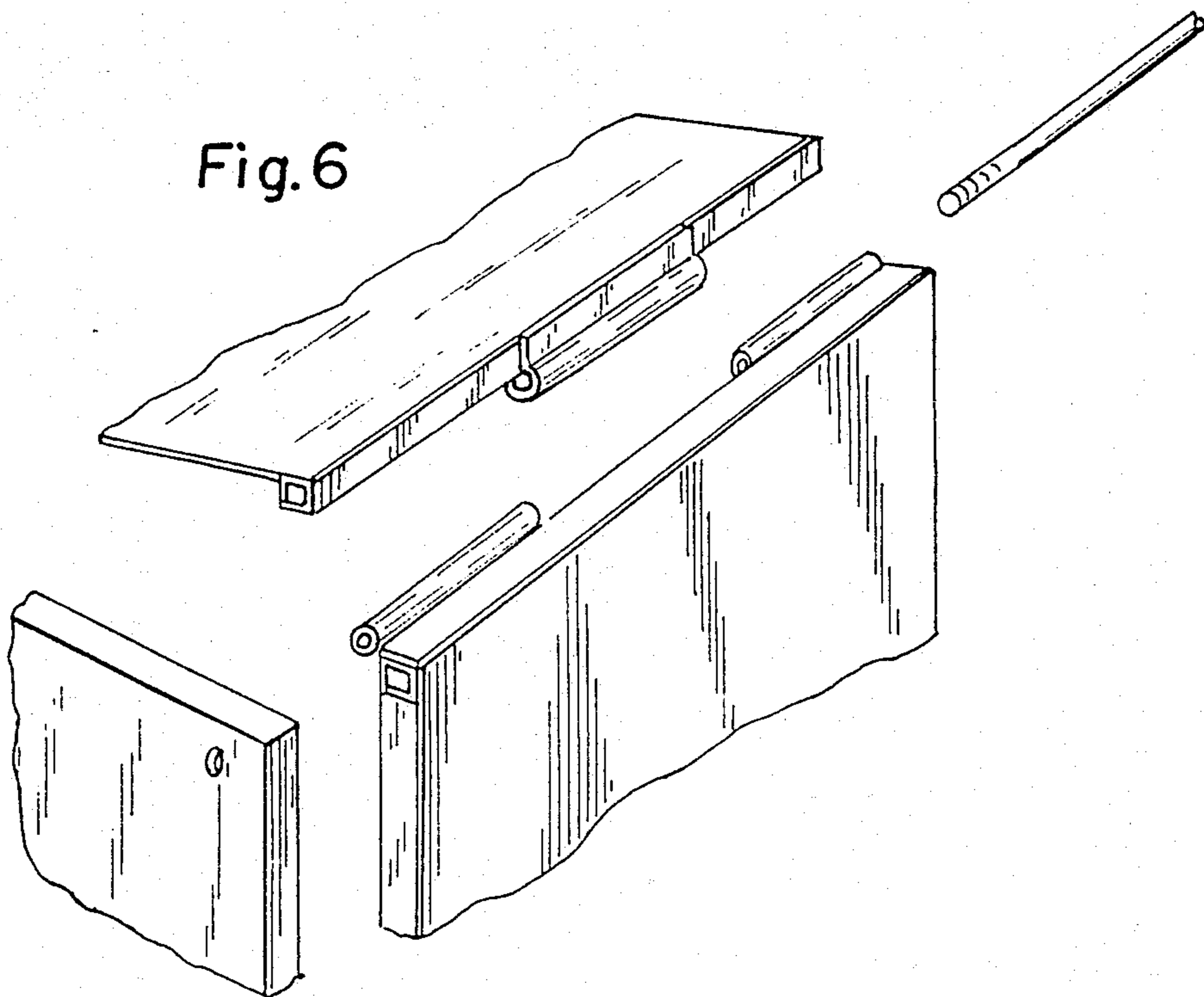


Fig. 6