

United States Patent [19]

Pearson

[11] Patent Number: **Des. 304,672**

[45] Date of Patent: **** Nov. 21, 1989**

[54] **ADJUSTABLE SECURITY BAR**
[76] Inventor: **Stanley W. Pearson, 1601 Cambridge Dr., Kinston, N.C. 28501**

[**] Term: **14 Years**

[21] Appl. No.: **32,708**

[22] Filed: **Mar. 31, 1987**

[52] U.S. Cl. **D8/331**

[58] Field of Search **D8/330-331, D8/339, 342, 343, 400; 292/1, 259, 289, 338-339, DIG. 19, DIG. 46**

[56] **References Cited**

U.S. PATENT DOCUMENTS

3,615,114 10/1971 Harris **D8/339 X**

4,078,836 3/1978 Wilson 292/259 R
4,570,985 2/1986 Waldo et al. 292/262
4,598,508 7/1986 Baum 292/259 R X
4,601,503 7/1986 Wicks, Sr. 292/259 R

Primary Examiner—Wallace R. Burke
Assistant Examiner—Brian N. Vinson

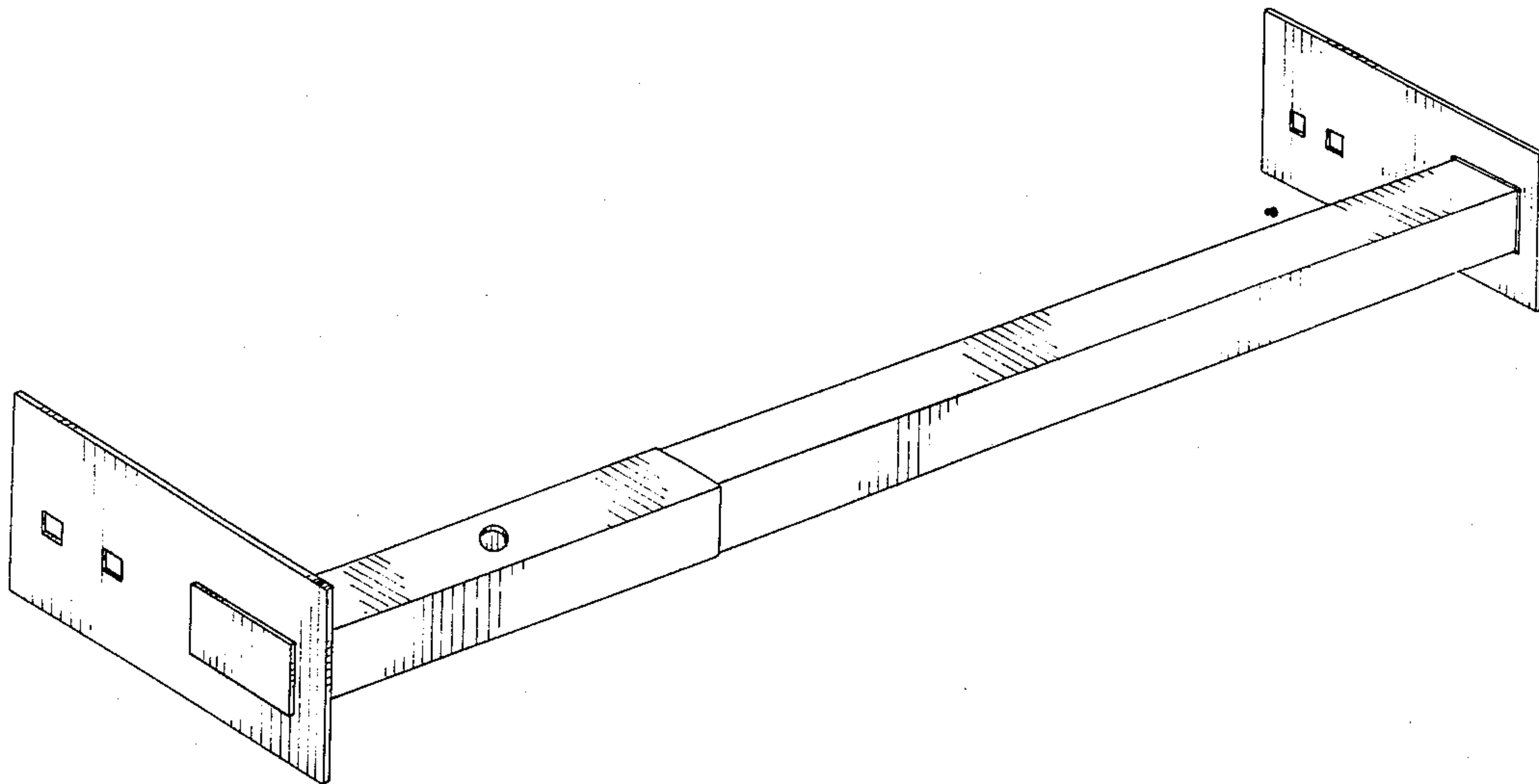
[57] **CLAIM**

The ornamental design for an adjustable security bar, as shown and described.

DESCRIPTION

FIG. 1 is a top, front and left side perspective view of an adjustable security bar showing my new design, the right side being a mirror image of the left side shown, and

FIG. 2 is a top plan view thereof the bottom being a mirror image of that shown.



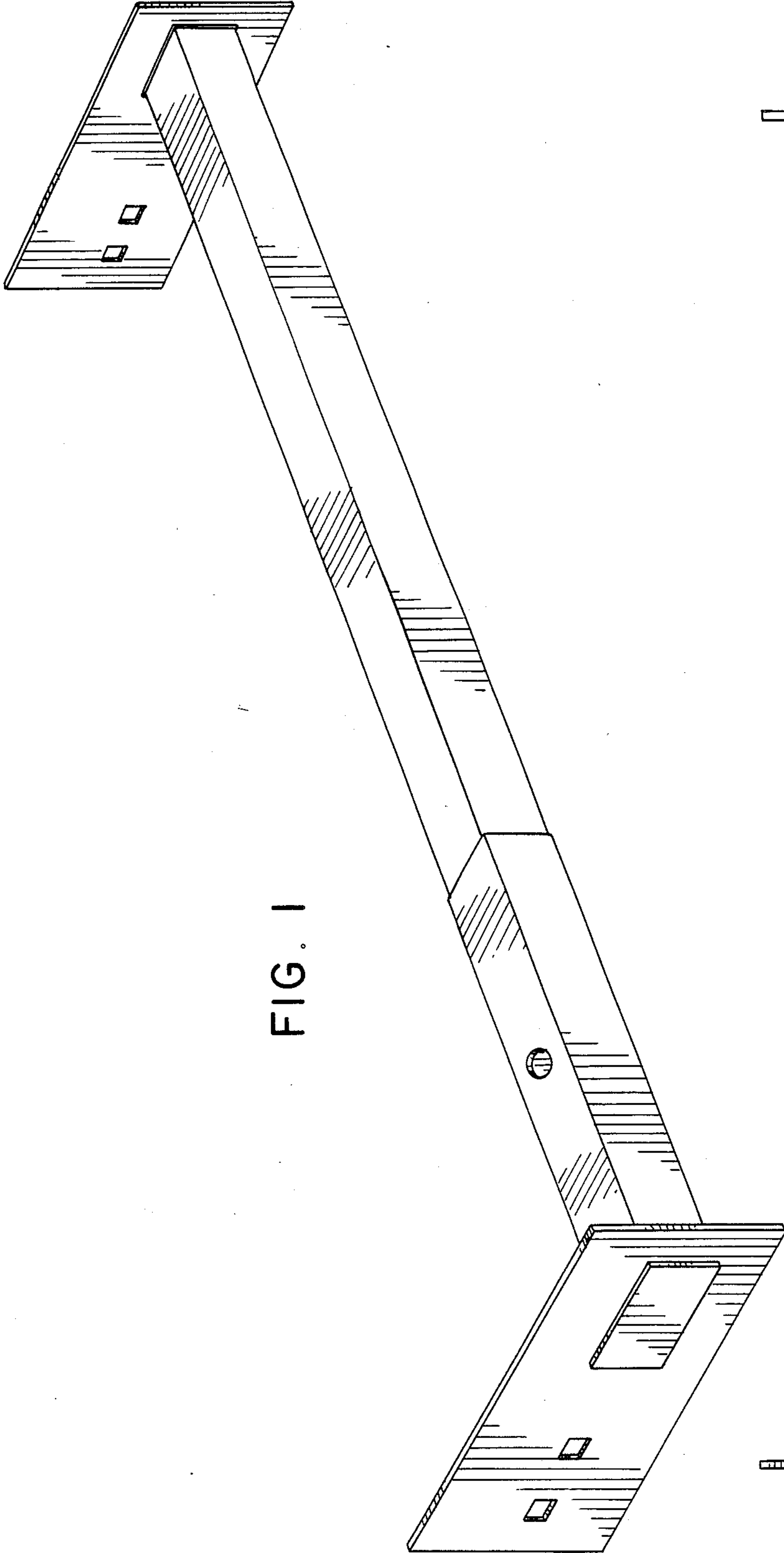


FIG. 1

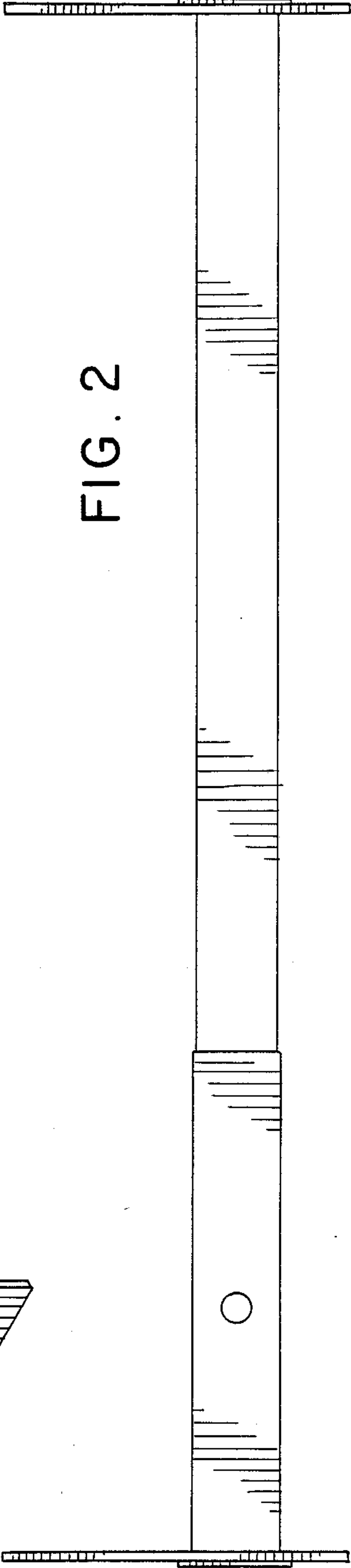


FIG. 2