

[54] COMBINED GATE LATCH PULL AND CABLE

443,013 12/1890 Smith ..... 16/122  
3,599,274 8/1971 Donovan ..... 16/122

[76] Inventor: Robert W. Reaney, 5013 Stancliff St.,  
Bakersfield, Calif. 93307

[\*\*] Term: 14 Years

[21] Appl. No.: 88,899

[22] Filed: Aug. 24, 1987

[52] U.S. Cl. .... D8/301; D8/300;  
D8/306; D8/307; D8/319

[58] Field of Search ..... D8/300, 306, 307, 315-320,  
D8/301; 16/110 R, 115, 114 A, 114 B, 114 R,  
122, 125, 126, 127

[56] References Cited

U.S. PATENT DOCUMENTS

D. 217,010 3/1970 Ziskin et al. .... D8/307  
D. 218,877 10/1970 Clayton ..... D8/328  
D. 245,144 7/1977 Perrin ..... D8/321

OTHER PUBLICATIONS

Brasses by Ball and Ball, 11/10/1937; p. 10; pull G14.

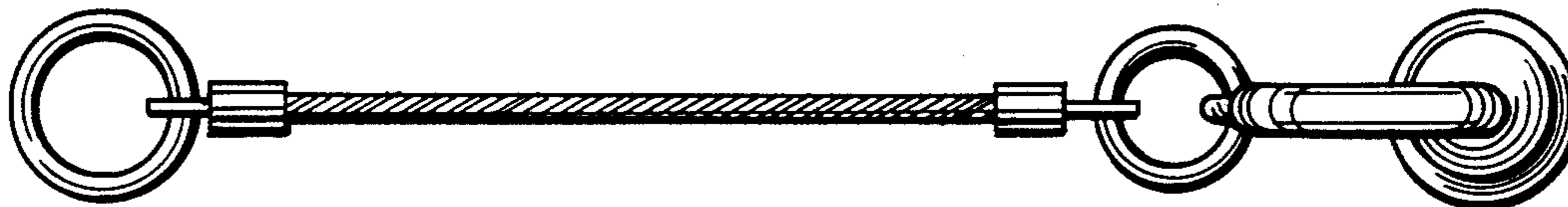
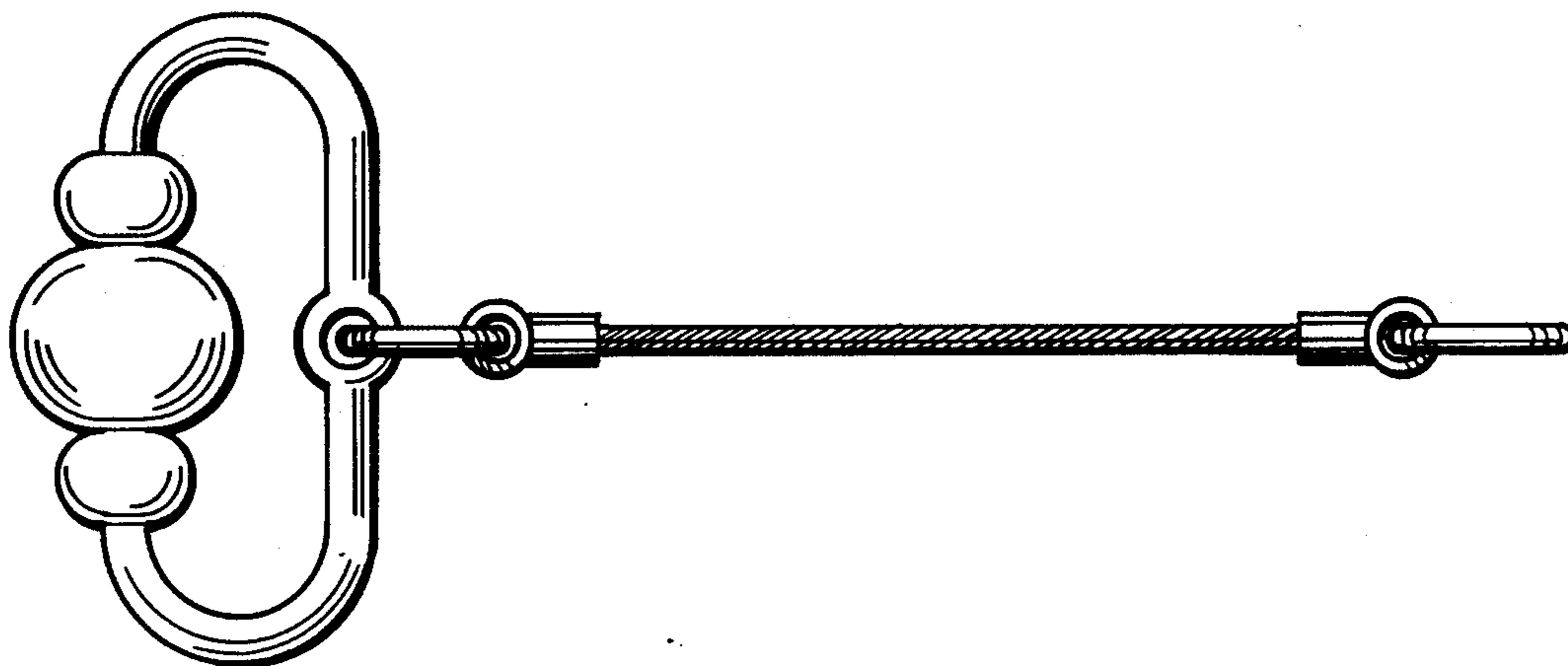
Primary Examiner—B. J. Bullock  
Attorney, Agent, or Firm—Jerry T. Kearns

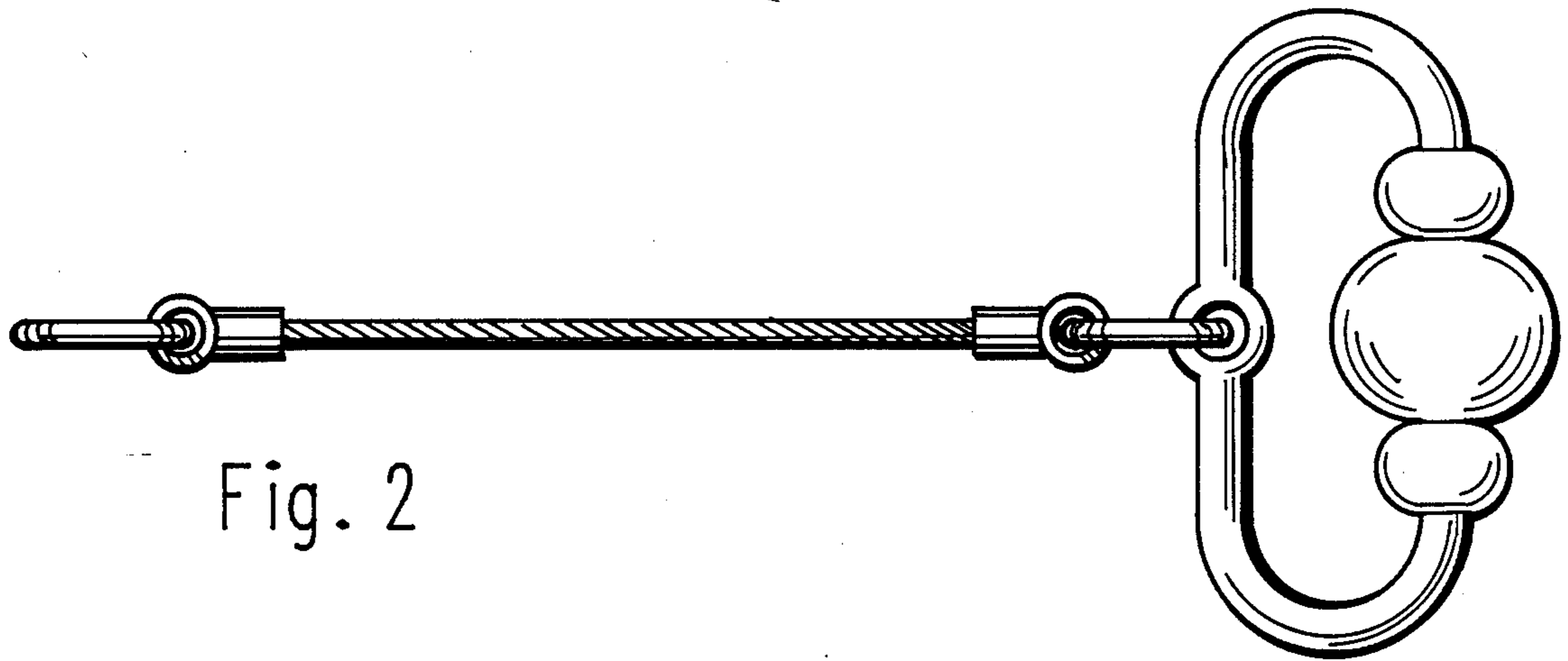
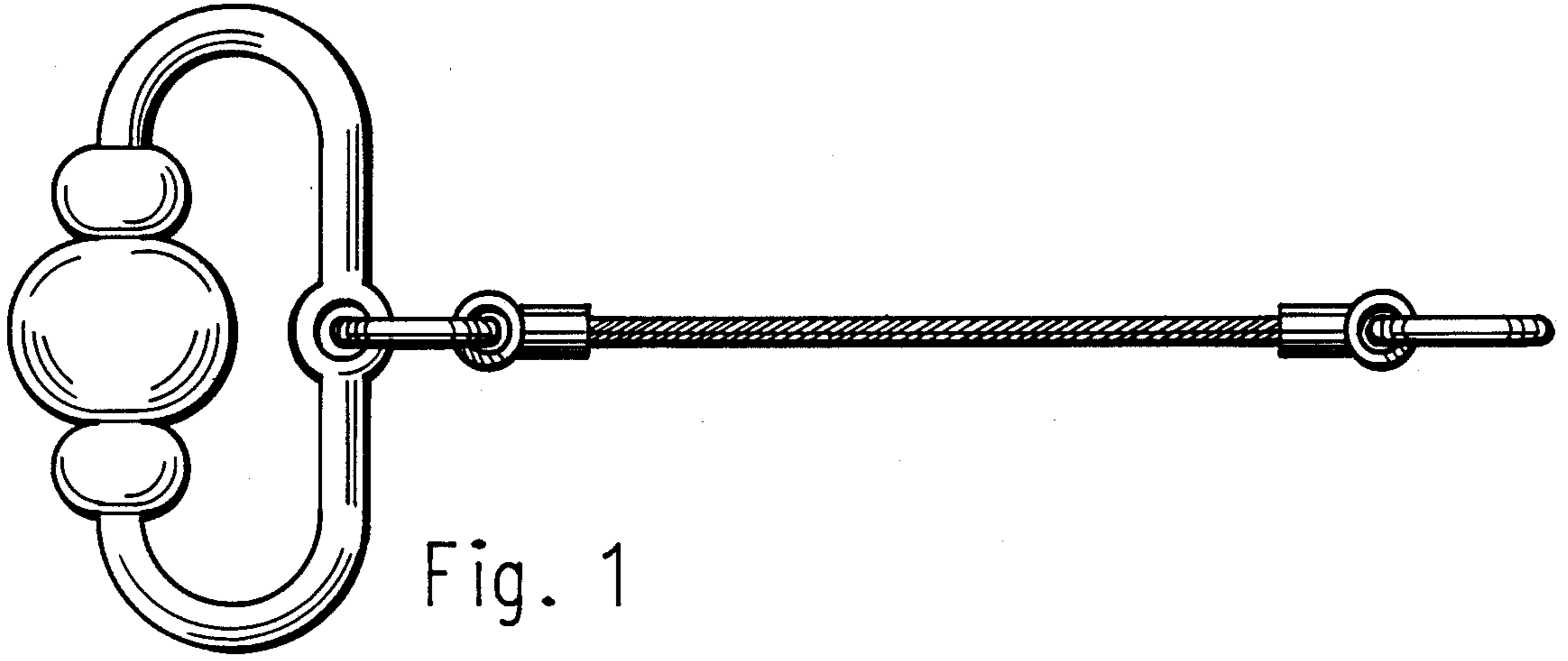
[57] CLAIM

The ornamental design for a combined gate latch pull and cable, as shown and described.

DESCRIPTION

FIG. 1 is a front elevational view of a combined gate latch pull and cable showing my new design; FIG. 2 is a rear elevational view thereof; FIG. 3 is a left side elevational view thereof; FIG. 4 is a right side elevational view thereof; FIG. 5 is a top plan view thereof; and, FIG. 6 is a bottom plan view thereof.





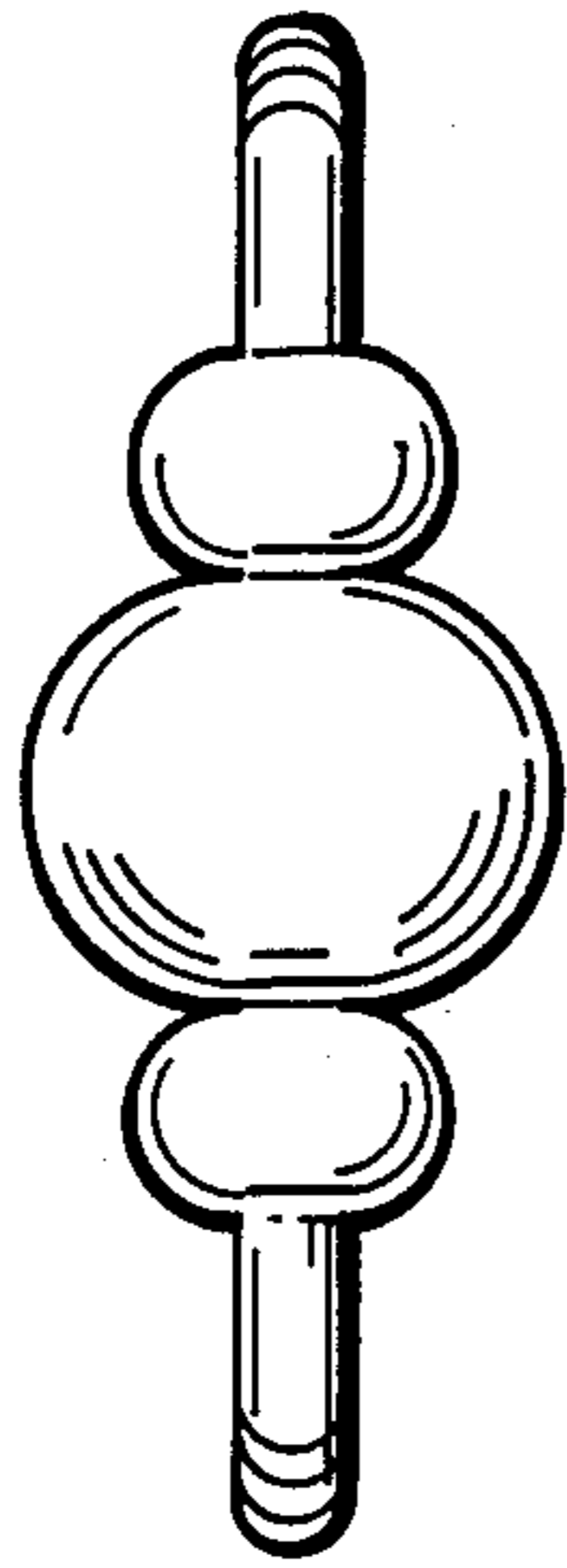


Fig. 3

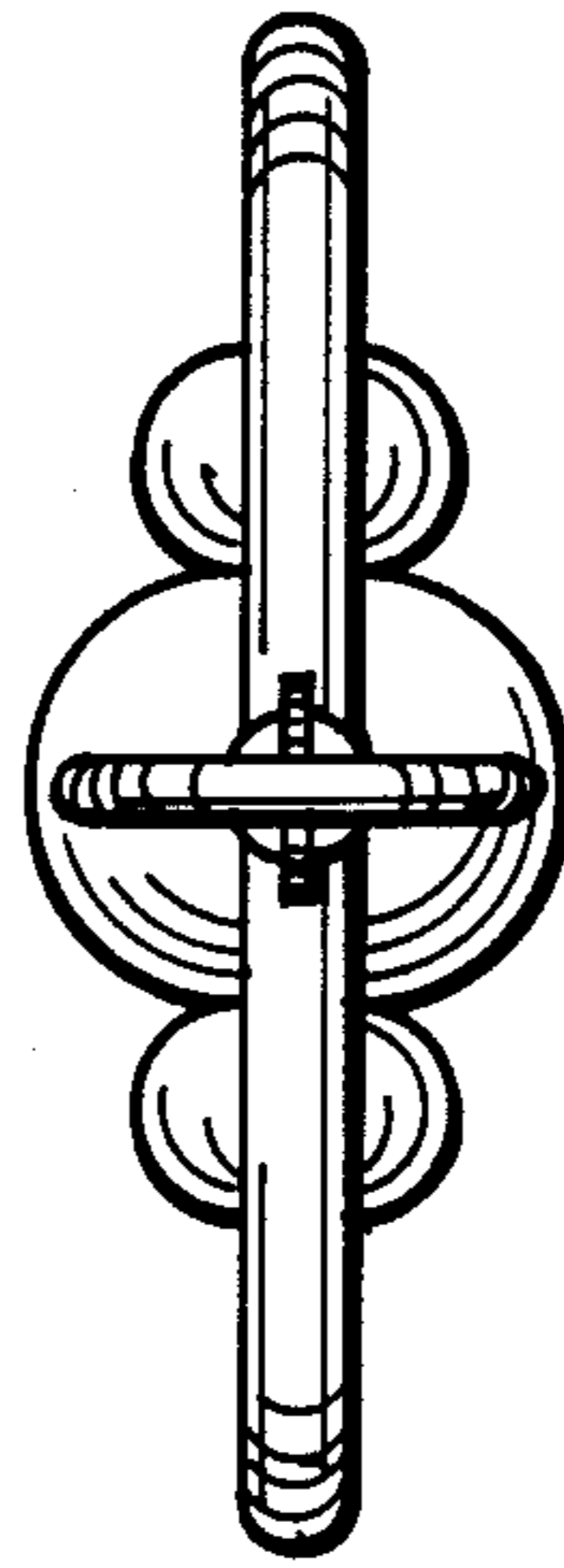


Fig. 4

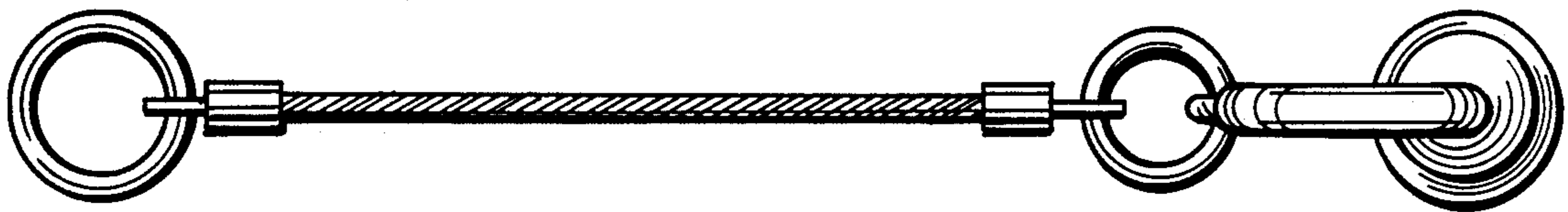


Fig. 5

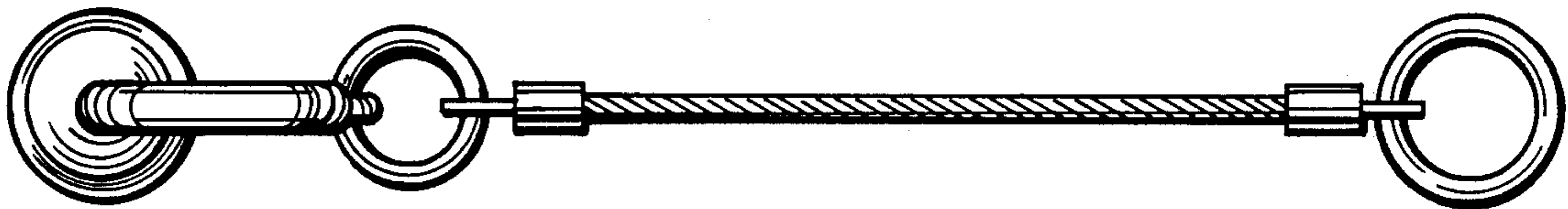


Fig. 6